

Customer	Date	20.03.2020
Contact	Project	
Phone number	Project no.	
Email		

125SV33ANR4F60

Operating data

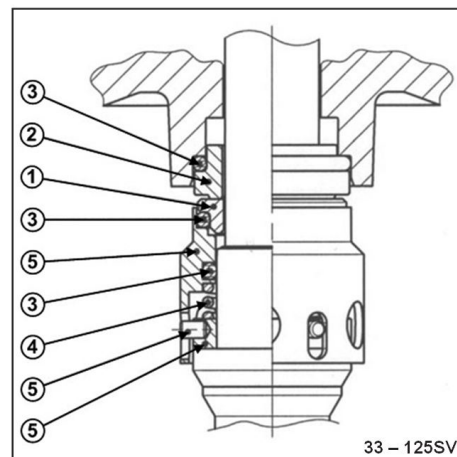
Pump type	Multi-Stage Pumps	Fluid	Water
No. of pumps / Reserve	1 / 0	Operating temperature t A	°F 39.2
Nominal flow	US g.p.m. 520	pH-value at t A	7
Nominal head	ft 249	Density at t A	lb/ft ³ 62.4
Static head	ft 0	Kin. viscosity at t A	ft ² /s 1.689E-5
Inlet pressure	psi 0	Vapor pressure at t A	psi 14.5
Environmental temperature	°F 68	Solids	0
Available system NPSH	ft 0	Altitude	ft 0

Pump data

Make	Goulds Water Technology	Nominal	US g.p.m. 521.2 (521.2)
Speed	rpm 3500	Flow	Max- US g.p.m. 725
No. of stages	3		Min- US g.p.m.
Max. working pressure	psi 155.2	Nominal	ft 250.2
Head H(Q=0)	ft 360	Head	at Qmax ft 185.9
Weight	lb 947		at Qmin ft 357.8
Efficiency	% 75.61	Shaft power	hp 42.9 (42.9)
NPSH 3%	ft 22.2	Max. shaft power	hp 47.4

Shaft Seal

Single Seal	Xylem
Mechanical Seals	
1 - Rotating Face	Carbon
2 - Stationary Face	Silicon Carbide Graphite Filled
3 - Elastomers	Viton
4 - Spring	316SS
5 - Metal Components	316SS



Motor data

Manufacturer	Baldor	Electric voltage	208 V	Speed	3500 rpm	Insulation class	F
Specific design	3ph TPE			Frame size	326TSC	Colour	RAL 5010
Type	208-230/460V 326TSC (X18A32E5BM2S)			Degree of protection	TEPE		
Rated power	50 hp	Electric current	124 A				

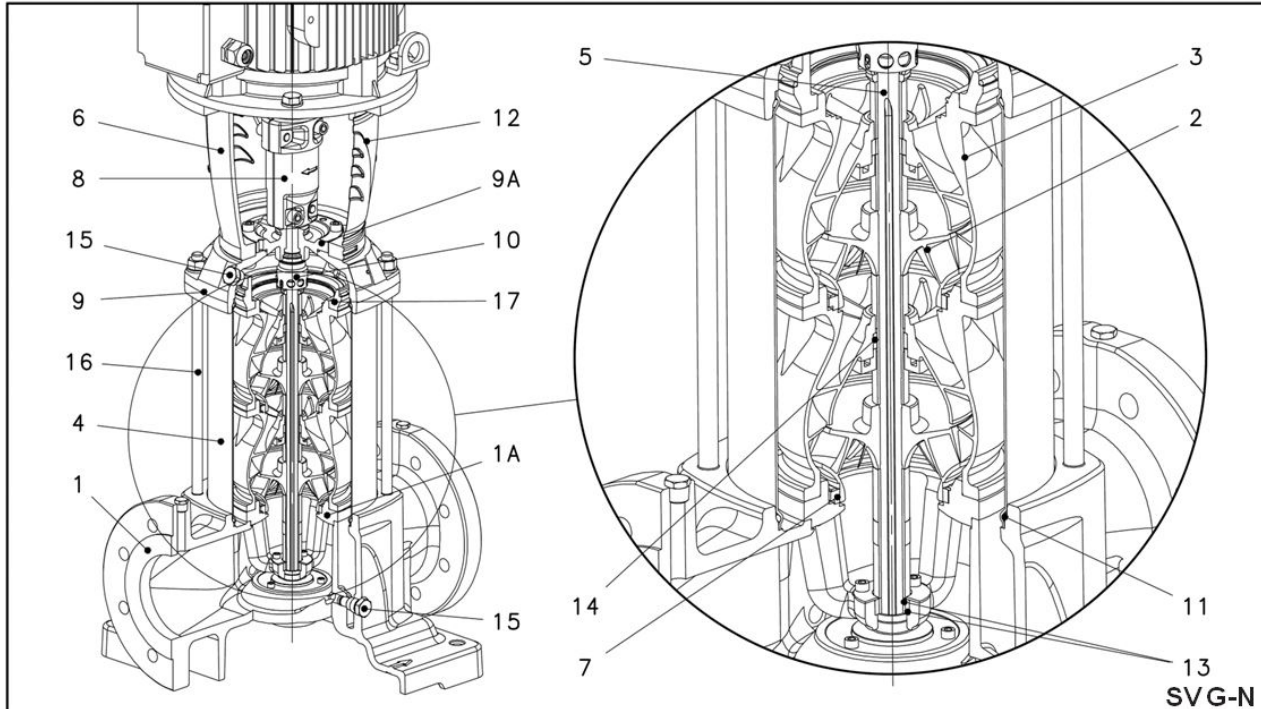
Remarks:

Customer	Date	20.03.2020
Contact	Project	
Phone number	Project no.	
Email		

125SV33ANR4F60

Pump Materials

1 - Pump Body	Stainless Steel (AISI 316)
2 - Impeller	Stainless Steel (AISI 316)
3 - Diffuser	Stainless Steel (AISI 316)
4 - Casing	Stainless Steel (AISI 316L)
5 - Shaft	Duplex Stainless Steel (UNS S 31803) (ASTM Class A536)
6 - Adapter (50HP and higher)	PPS
7 - Wear Ring	N/A
8 - Coupling (50HP and higher)	N/A
9 - Upper Head	Stainless Steel (AISI 316)
9A - Seal Housing	Stainless Steel (AISI 316)
10 - Mechanical Seal	Refer Mechanical Seals
11 - Elastomers	Refer Mechanical Seals
12 - Coupling Guard	Stainless Steel (AISI 304)
13 - Shaft Sleeve and Bushing	Tungsten carbide
14 - Bushing for Diffuser	Carbon
15 - Fill/Drain Plugs	Stainless Steel (AISI 316)
16 - Tie Rods	Carbon Steel / Zinc Plated (A29 Gr.1045)



Remarks:

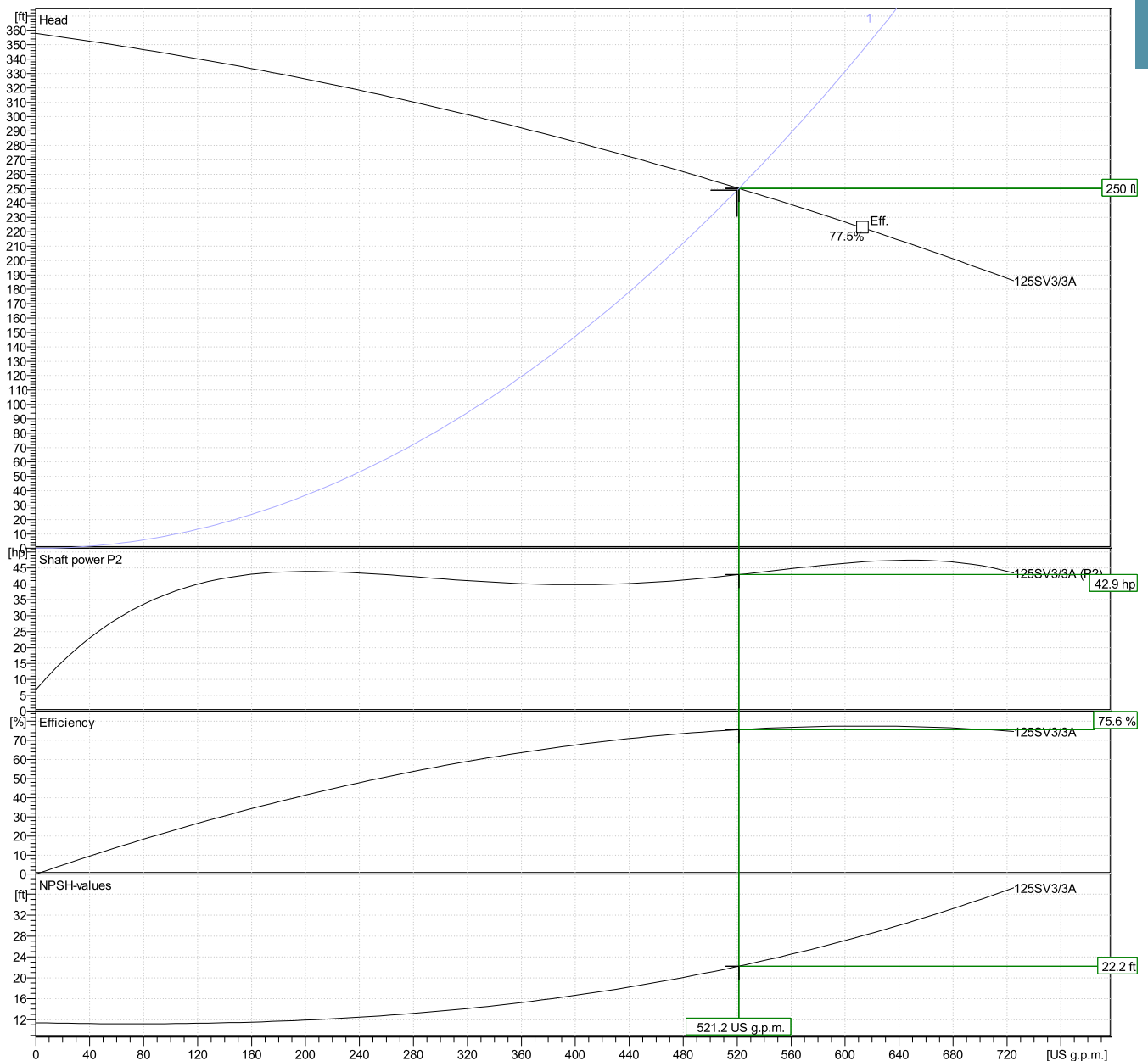
Customer	Date	20.03.2020
Contact	Project	
Phone number	Project no.	
Email		

125SV33ANR4F60

Hydraulic Data

Operating Data Specification		Hydraulic data (duty point)		Impeller design	
Flow	520 US g.p.m.	Flow	521 US g.p.m.	Impeller R	"
Head	249 ft	Head	250 ft	Frequency	60 Hz
Static head	0 ft			Speed	3500 rpm

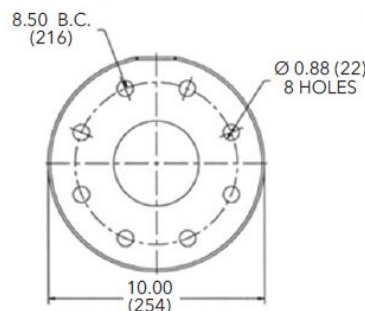
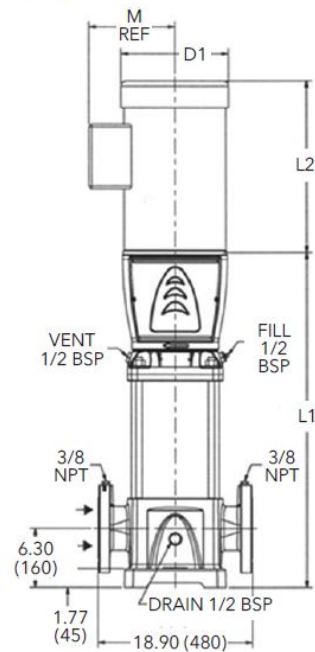
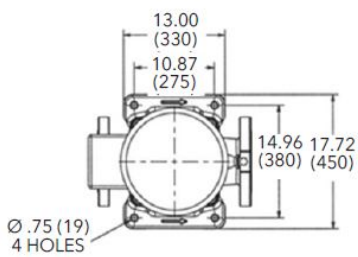
Power data referred to:
 Water [100%] ; 39.2°F; 62.4lb/ft³; 1.69E-5ft²/s
 Performance according to ISO 9906 - Annex A



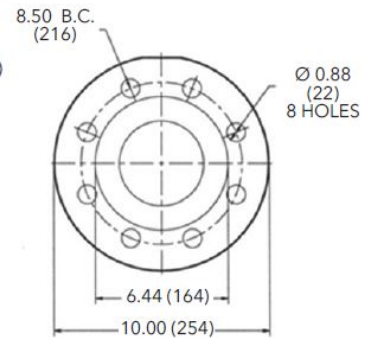
Customer	Date	20.03.2020
Contact	Project	
Phone number	Project no.	
Email		

125SV33ANR4F60

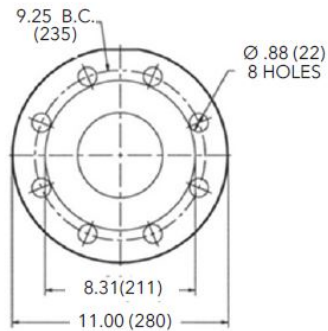
Drawing



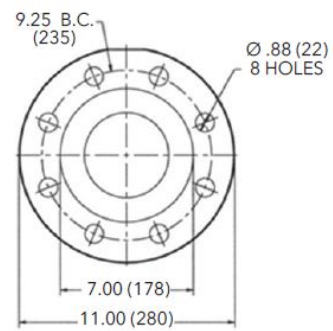
Cast Iron
5" Class 125 F.F.



316SS
5" Class 150 R.F.



Cast Iron
5" Class 250 R.F.



316SS
5" Class 300 R.F.

All dimensions are in inches (mm).

Dimensions inch

D1 max	16 ⁷ / ₈					Weight	
D2	13 ³ / ₈					947	lb
L1	40 ⁷ / ₁₆						
L2	27 ¹³ / ₁₆						
M.Ref	14 ¹ / ₈						
NEMA Frame	326TSC						