

| | | |
|--------------|-------------|------------|
| Customer | Date | 10.04.2020 |
| Contact | Project | |
| Phone number | Project no. | |
| Email | | |

22SV3NH4F60

Operating data

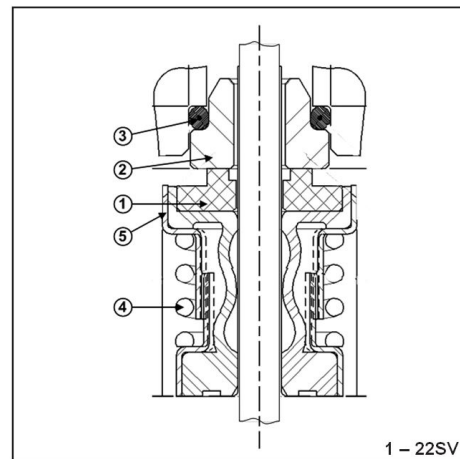
| | | | |
|---------------------------|-------------------|---------------------------|-----------------------------|
| Pump type | Multi-Stage Pumps | Fluid | Water |
| No. of pumps / Reserve | 1 / 0 | Operating temperature t A | °F 39.2 |
| Nominal flow | US g.p.m. 0 | pH-value at t A | 7 |
| Nominal head | ft 0 | Density at t A | lb/ft ³ 62.4 |
| Static head | ft 0 | Kin. viscosity at t A | ft ² /s 1.689E-5 |
| Inlet pressure | psi 0 | Vapor pressure at t A | psi 14.5 |
| Environmental temperature | °F 68 | Solids | 0 |
| Available system NPSH | ft 0 | Altitude | ft 0 |

Pump data

| | | | |
|-----------------------|-------------------------|------------------|----------------------|
| Make | Goulds Water Technology | Nominal | US g.p.m. () |
| Speed | rpm 3500 | Flow | Max- US g.p.m. 149.2 |
| No. of stages | 3 | | Min- US g.p.m. |
| Max. working pressure | psi 91.1 | Nominal | ft |
| Head H(Q=0) | ft 210 | Head | at Qmax ft 102 |
| Weight | lb 149 | | at Qmin ft 210.1 |
| Efficiency | % | Shaft power | hp () |
| NPSH 3% | ft | Max. shaft power | hp 7.2 |

Shaft Seal

| | |
|----------------------|---------------------------------|
| Single Seal | Xylem |
| Mechanical Seals | |
| 1 - Rotating Face | Carbon |
| 2 - Stationary Face | Silicon Carbide Graphite Filled |
| 3 - Elastomers | Viton |
| 4 - Spring | 316SS |
| 5 - Metal Components | 316SS |



Motor data

| | | | | | | | |
|-----------------|-----------------------------------|------------------|-------|----------------------|----------|------------------|----------|
| Manufacturer | Baldor | Electric voltage | 460 V | Speed | 3500 rpm | Insulation class | F |
| Specific design | 3ph TPE | | | Frame size | 184TC | Colour | RAL 5010 |
| Type | 208-230/460V 184TC (V11A32E5BD2S) | | | Degree of protection | TEPE | | |
| Rated power | 7.5 hp | Electric current | 8.4 A | | | | |

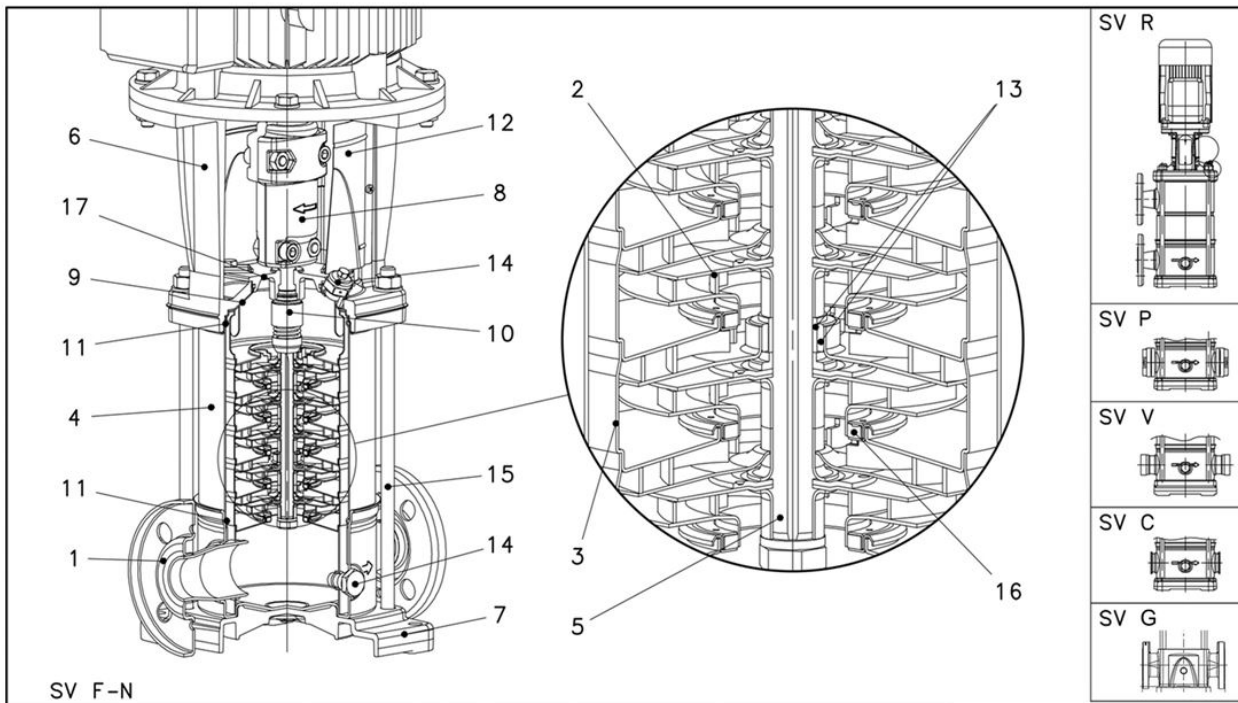
Remarks:

| | | |
|--------------|-------------|------------|
| Customer | Date | 10.04.2020 |
| Contact | Project | |
| Phone number | Project no. | |
| Email | | |

22SV3NH4F60

Pump Materials

| | |
|-------------------------------|--|
| 1 - Pump Body | Stainless Steel (AISI 316L) |
| 2 - Impeller | Stainless Steel (AISI 316L) |
| 3 - Diffuser | Stainless Steel (AISI 316L) |
| 4 - Casing | Stainless Steel (AISI 316L) |
| 5 - Shaft | Stainless Steel (AISI 316) |
| 6 - Adapter | Cast Iron (ASTM Class 35/40B) |
| 7 - Base | Aluminum (A384 .0-F) |
| 8 - Coupling | Aluminum (A384 .0-F) |
| 9 - Seal Plate | Stainless Steel (AISI 316L) |
| 10 - Mechanical Seal | Refer Mechanical Seals |
| 11 - Elastomers | Refer Mechanical Seals |
| 12 - Coupling Guard | Stainless Steel (AISI 304) |
| 13 - Shaft Sleeve and Bushing | Tungsten carbide |
| 14 - Fill/Drain Plugs | Stainless Steel (AISI 316) |
| 15 - Tie Rods | Carbon Steel / Zinc Plated (A29 Gr.1045) |
| 16 - Wear Ring | PPS |
| 17 - Seal Gland | Stainless Steel (AISI 316) |



Remarks:

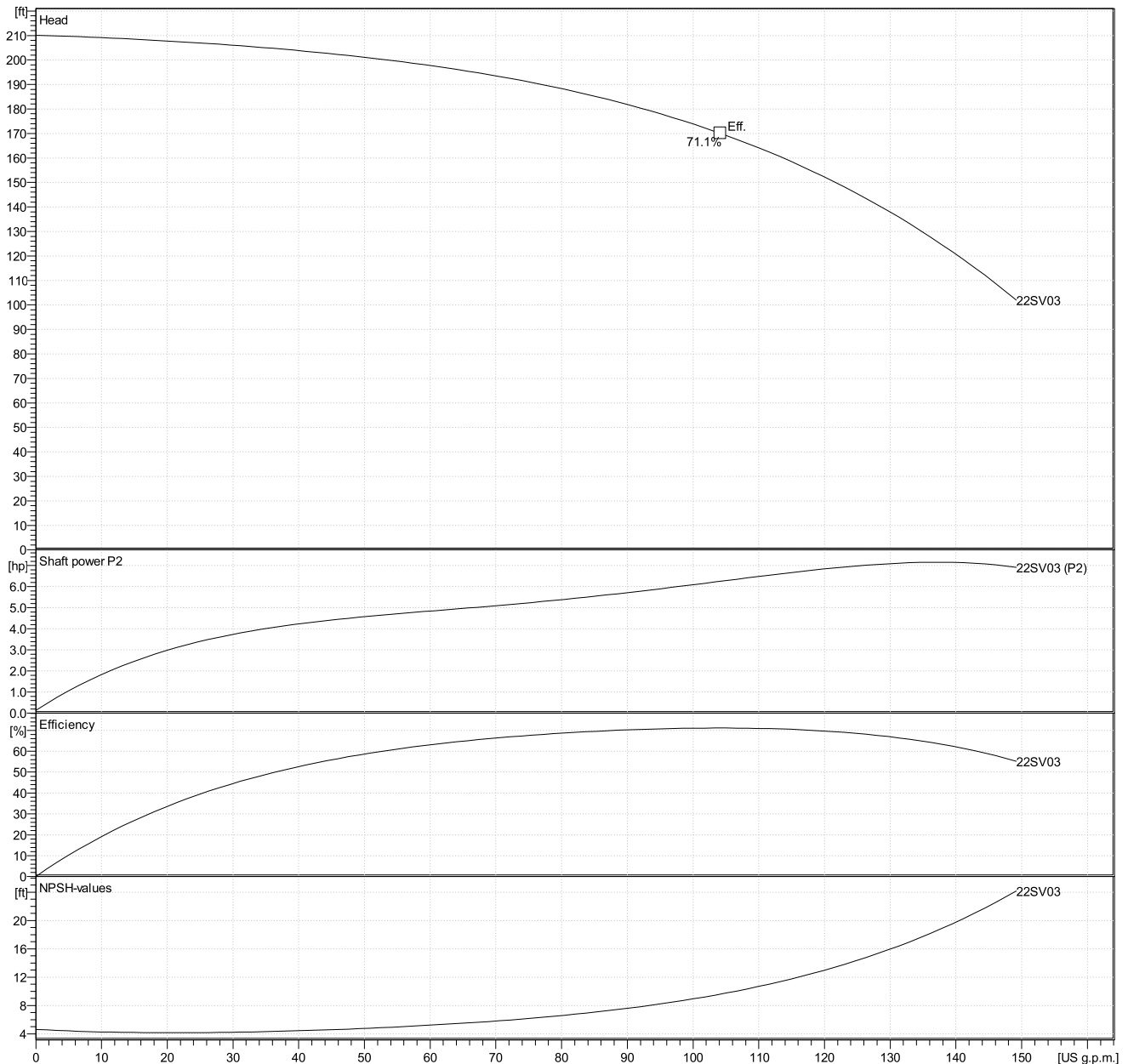
| | | |
|--------------|-------------|------------|
| Customer | Date | 10.04.2020 |
| Contact | Project | |
| Phone number | Project no. | |
| Email | | |

22SV3NH4F60

Hydraulic Data

| Operating Data Specification | | Hydraulic data (duty point) | | Impeller design | |
|------------------------------|-------------|-----------------------------|--|-----------------|----------|
| Flow | 0 US g.p.m. | Flow | | Impeller R | " |
| Head | 0 ft | Head | | Frequency | 60 Hz |
| Static head | 0 ft | | | Speed | 3500 rpm |

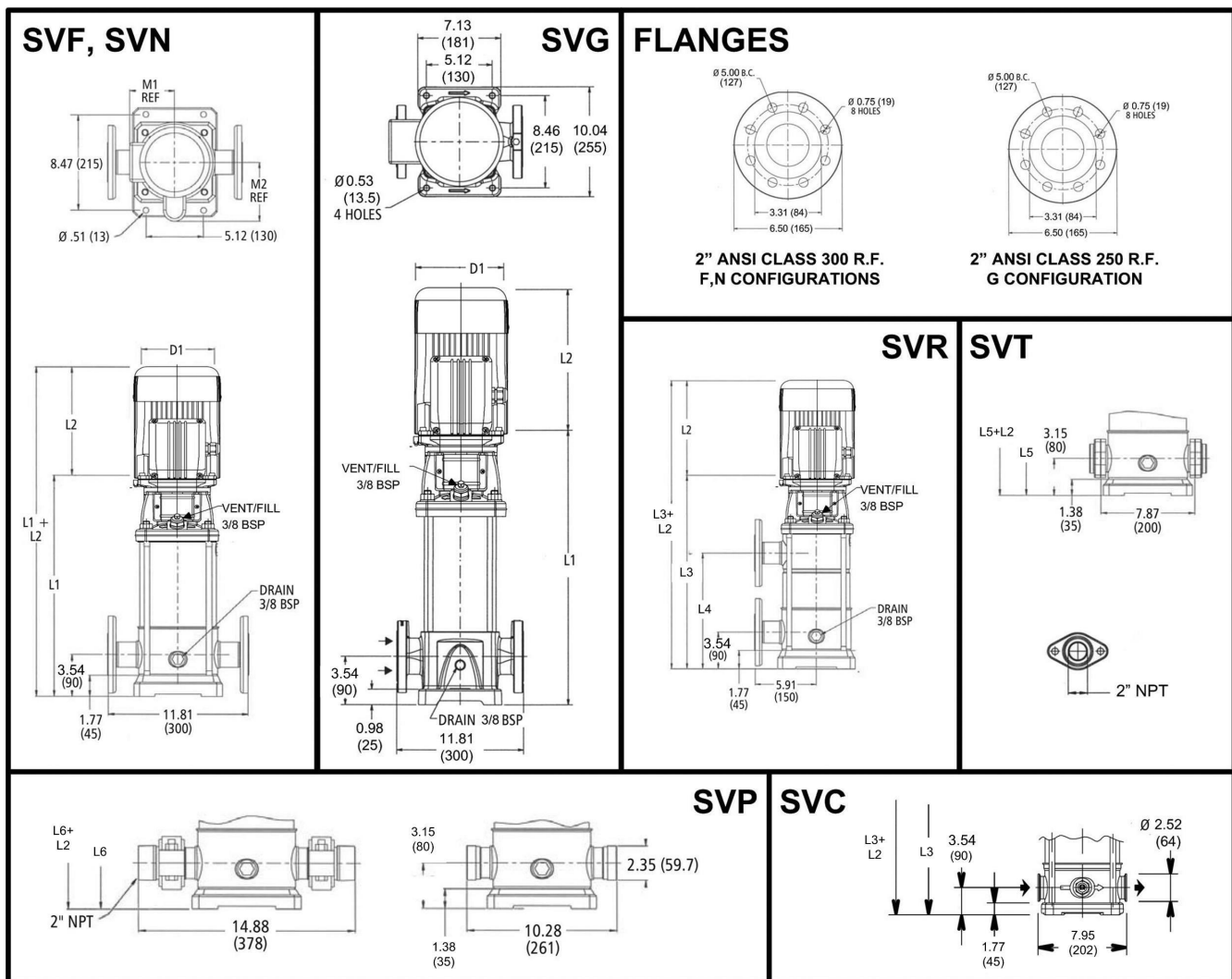
Power data referred to:
 Water [100%] ; 39.2°F; 62.4lb/ft³; 1.69E-5ft²/s
 Performance according to ISO 9906 - Annex A



| | | |
|--------------|-------------|------------|
| Customer | Date | 10.04.2020 |
| Contact | Project | |
| Phone number | Project no. | |
| Email | | |

22SV3NH4F60

Drawing



Dimensions inch

| | | | | | | | |
|------------|---------------------------------|--|--|--|--|--------|----|
| D1 max | 10 ⁵ / ₁₆ | | | | | Weight | |
| D2 | 9 ¹ / ₁₆ | | | | | 149 | lb |
| L1 | 20 ⁷ / ₈ | | | | | | |
| L2 | 17 | | | | | | |
| L5 | 20 ³ / ₁₆ | | | | | | |
| L6 | 20 ³ / ₁₆ | | | | | | |
| M.Ref | 8 ¹ / ₁₆ | | | | | | |
| NEMA Frame | 184TC | | | | | | |