

| | | |
|--------------|-------------|------------|
| Customer | Date | 24.04.2020 |
| Contact | Project | |
| Phone number | Project no. | |
| Email | | |



2ED51C0DA

Operating data

| | | | |
|---------------------------|-------------|---------------------------|-----------------------------|
| Pump type | Effluent | Fluid | Water |
| No. of pumps / Reserve | 1 / 0 | Operating temperature t A | °F 39.2 |
| Nominal flow | US g.p.m. 0 | pH-value at t A | 7 |
| Nominal head | ft 0 | Density at t A | lb/ft ³ 62.4 |
| Static head | ft 0 | Kin. viscosity at t A | ft ² /s 1.689E-5 |
| Inlet pressure | psi 0 | Vapor pressure at t A | psi 14.5 |
| Environmental temperature | °F 68 | Solids | 0 |
| Available system NPSH | ft 0 | Altitude | ft 0 |

Pump data

| | | | |
|-----------------------|-------------------------|------------------|---------------------|
| Make | Goulds Water Technology | Nominal | US g.p.m. () |
| Speed | rpm 3500 | Flow | Max- US g.p.m. 79.6 |
| No. of stages | 1 | | Min- US g.p.m. |
| Max. casing pressure | psi | Nominal | ft |
| Max. working pressure | psi 19.9 | Head | at Qmax ft 9 |
| Head H(Q=0) | ft 46 | | at Qmin ft 45.9 |
| Weight | lb On demand | Shaft power | hp () |
| | Max. inch 5 1/2 | Max. shaft power | hp .7 |
| Impeller R | designed inch 3 9/16 | Efficiency | % |
| | Min. inch 3 9/16 | NPSH 3% | ft |

Shaft Seal

| | |
|------------------------------|-----------------|
| 2ED | Effluent |
| 2ED Mechanical Seal | |
| 1 - Rotating (Upper) | Carbon |
| 2 - Stationary (Upper) | Ceramic |
| 3 - Elastomers (Upper) | BUNA |
| 4 - Metal Components (Upper) | Stainless Steel |
| 5 - Rotating (Lower) | Silicon Carbide |
| 6 - Stationary (Lower) | Silicon Carbide |
| 7 - Elastomers (Lower) | BUNA |
| 8 - Metal Components (Lower) | Stainless Steel |

Motor data

| | | | | | | | |
|-----------------|------------------------|----------------------|--------|------------|----------|------------------|----------|
| Manufacturer | Regal Beloit | Electric voltage | 115 V | Speed | 3500 rpm | Insulation class | B |
| Specific design | 1ph | Electric current | 14.5 A | Frame size | 48 | Colour | RAL 5010 |
| Type | 119-49 31 (0.5HP/115V) | | | | | | |
| Rated power | 0.5 hp | Degree of protection | IP 55 | | | | |

Remarks:

| | | |
|--------------|-------------|------------|
| Customer | Date | 24.04.2020 |
| Contact | Project | |
| Phone number | Project no. | |
| Email | | |

2ED51C0DA



Pump Materials

| | |
|--|-----------------------|
| 100 - Casing | Cast Iron |
| 101 - Impeller | Cast Iron |
| 112A - Lower Ball Bearing | Steel |
| 112B - Upper Ball Bearing | Steel |
| 184 - Seal Housing | Cast Iron |
| 218 - Insulating Oil | Turbine Oil - ASTM150 |
| 246 - Seal Sensor – Plug and Rod | Nylon/Brass |
| 304 - Impeller Locknut - All | AISI 300 SS |
| 338 - Motor | Stainless Steel Shaft |
| 340 - Bearing Housing | Cast Iron |
| 341 - Motor Cover | Cast Iron |
| 351 - Casing Gasket | Composite |
| 358 - Plug – Seal Housing ¼" NPT | AISI 300 SS |
| 358E - Plug – Motor Cover 3/8" NPT | AISI 300 SS |
| 361 - Retaining Ring | AISI 300 SS |
| 361D - Seal Retainer | AISI 300 SS |
| 372D - Hex Cap Screw – Housing to Casing | AISI 300 SS |
| 376 - Capacitor (1 Phase Only) – Start | – |
| 412M - O-ring – Motor Cover | BUNA-N, AS 568A-166 |
| 412P - O-ring – Seal/Bearing Housing | BUNA-N, AS 568A-163 |
| 457 - Wire Nut | Special Nylon Housing |

Remarks:



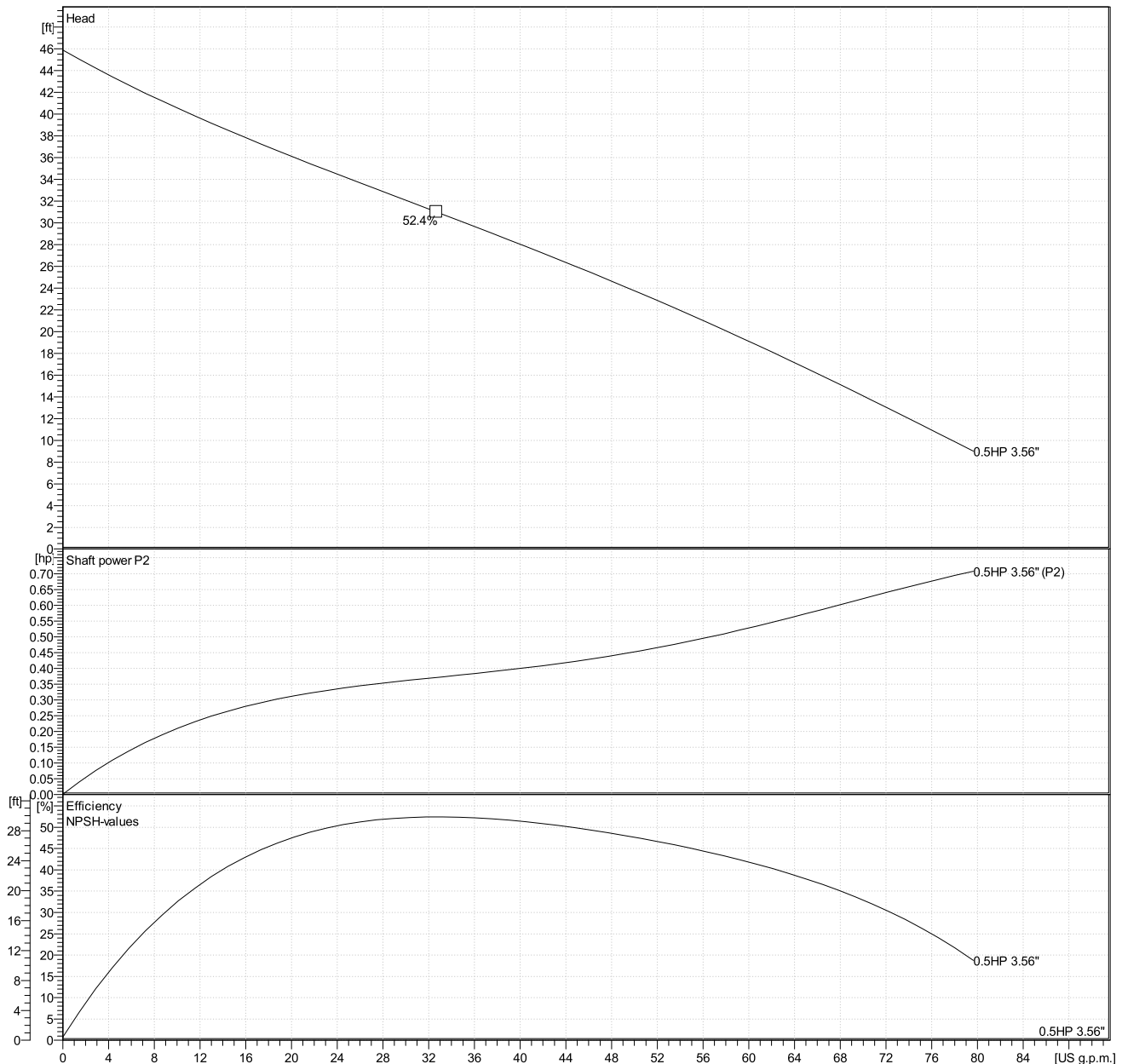
| | | |
|--------------|-------------|------------|
| Customer | Date | 24.04.2020 |
| Contact | Project | |
| Phone number | Project no. | |
| Email | | |

2ED51C0DA

Hydraulic Data

| Operating Data Specification | | Hydraulic data (duty point) | | Impeller design | |
|------------------------------|-------------|-----------------------------|--|-----------------|----------------------------------|
| Flow | 0 US g.p.m. | Flow | | Impeller R | 3 ⁹ / ₁₆ " |
| Head | 0 ft | Head | | Frequency | 60 Hz |
| Static head | 0 ft | | | Speed | 3500 rpm |

Power data referred to:
Water [100%] ; 39.2°F; 62.4lb/ft³; 1.69E-5ft²/s
Performance according to ISO 9906 - Annex A

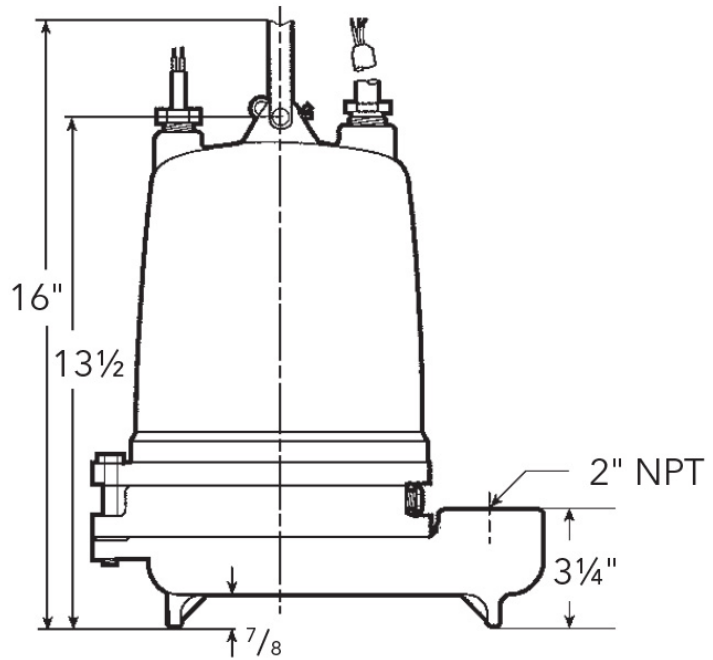
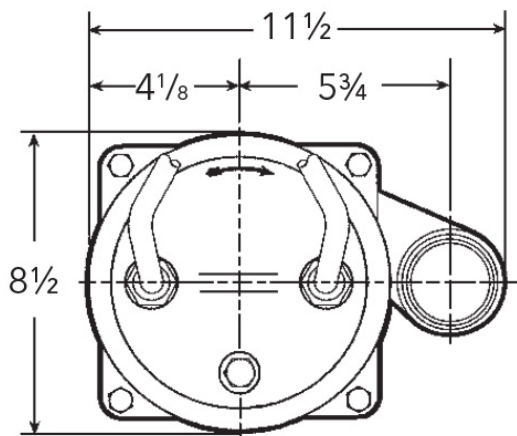




| | | |
|--------------|-------------|------------|
| Customer | Date | 24.04.2020 |
| Contact | Project | |
| Phone number | Project no. | |
| Email | | |

2ED51C0DA

Drawing



Dimensions inch

| | | | | | | |
|-----------|---|--|--|--|--|---------------------|
| Discharge | 2 | | | | | Weight On demand |
|-----------|---|--|--|--|--|---------------------|