



Customer	Date	28.04.2020
Contact	Project	
Phone number	Project no.	
Email		

# 2ED51C0HA

## Operating data

Pump type	Effluent	Fluid	Water
No. of pumps / Reserve	1 / 0	Operating temperature t A	°F 39.2
Nominal flow	US g.p.m. 0	pH-value at t A	7
Nominal head	ft 0	Density at t A	lb/ft <sup>3</sup> 62.4
Static head	ft 0	Kin. viscosity at t A	ft <sup>2</sup> /s 1.689E-5
Inlet pressure	psi 0	Vapor pressure at t A	psi 14.5
Environmental temperature	°F 68	Solids	0
Available system NPSH	ft 0	Altitude	ft 0

## Pump data

Make	Goulds Water Technology	Nominal	US g.p.m. ( )
Speed	rpm 3500	Flow	Max- US g.p.m. 59.7
No. of stages	1		Min- US g.p.m.
Max. casing pressure	psi	Nominal	ft
Max. working pressure	psi 26.4	Head	at Qmax ft 8.3
Head H(Q=0)	ft 61		at Qmin ft 61
Weight	lb On demand	Shaft power	hp ( )
	Max. inch 5 1/2	Max. shaft power	hp .5
Impeller R	designed inch 3 7/8	Efficiency	%
	Min. inch 3 9/16	NPSH 3%	ft

## Shaft Seal

2ED	Effluent
2ED Mechanical Seal	
1 - Rotating (Upper)	Carbon
2 - Stationary (Upper)	Ceramic
3 - Elastomers (Upper)	BUNA
4 - Metal Components (Upper)	Stainless Steel
5 - Rotating (Lower)	Silicon Carbide
6 - Stationary (Lower)	Silicon Carbide
7 - Elastomers (Lower)	BUNA
8 - Metal Components (Lower)	Stainless Steel

## Motor data

Manufacturer	Regal Beloit	Electric voltage	115 V	Speed	3500 rpm	Insulation class	B
Specific design	1ph	Electric current	14.5 A	Frame size	48	Colour	RAL 5010
Type	119-49 31 (0.5HP/115V)						
Rated power	0.5 hp	Degree of protection	IP 55				

## Remarks:

Customer	Date	28.04.2020
Contact	Project	
Phone number	Project no.	
Email		

## 2ED51C0HA



### Pump Materials

100 - Casing	Cast Iron
101 - Impeller	Cast Iron
112A - Lower Ball Bearing	Steel
112B - Upper Ball Bearing	Steel
184 - Seal Housing	Cast Iron
218 - Insulating Oil	Turbine Oil - ASTM150
246 - Seal Sensor – Plug and Rod	Nylon/Brass
304 - Impeller Locknut - All	AISI 300 SS
338 - Motor	Stainless Steel Shaft
340 - Bearing Housing	Cast Iron
341 - Motor Cover	Cast Iron
351 - Casing Gasket	Composite
358 - Plug – Seal Housing ¼" NPT	AISI 300 SS
358E - Plug – Motor Cover 3/8" NPT	AISI 300 SS
361 - Retaining Ring	AISI 300 SS
361D - Seal Retainer	AISI 300 SS
372D - Hex Cap Screw – Housing to Casing	AISI 300 SS
376 - Capacitor (1 Phase Only) – Start	–
412M - O-ring – Motor Cover	BUNA-N, AS 568A-166
412P - O-ring – Seal/Bearing Housing	BUNA-N, AS 568A-163
457 - Wire Nut	Special Nylon Housing

Remarks:



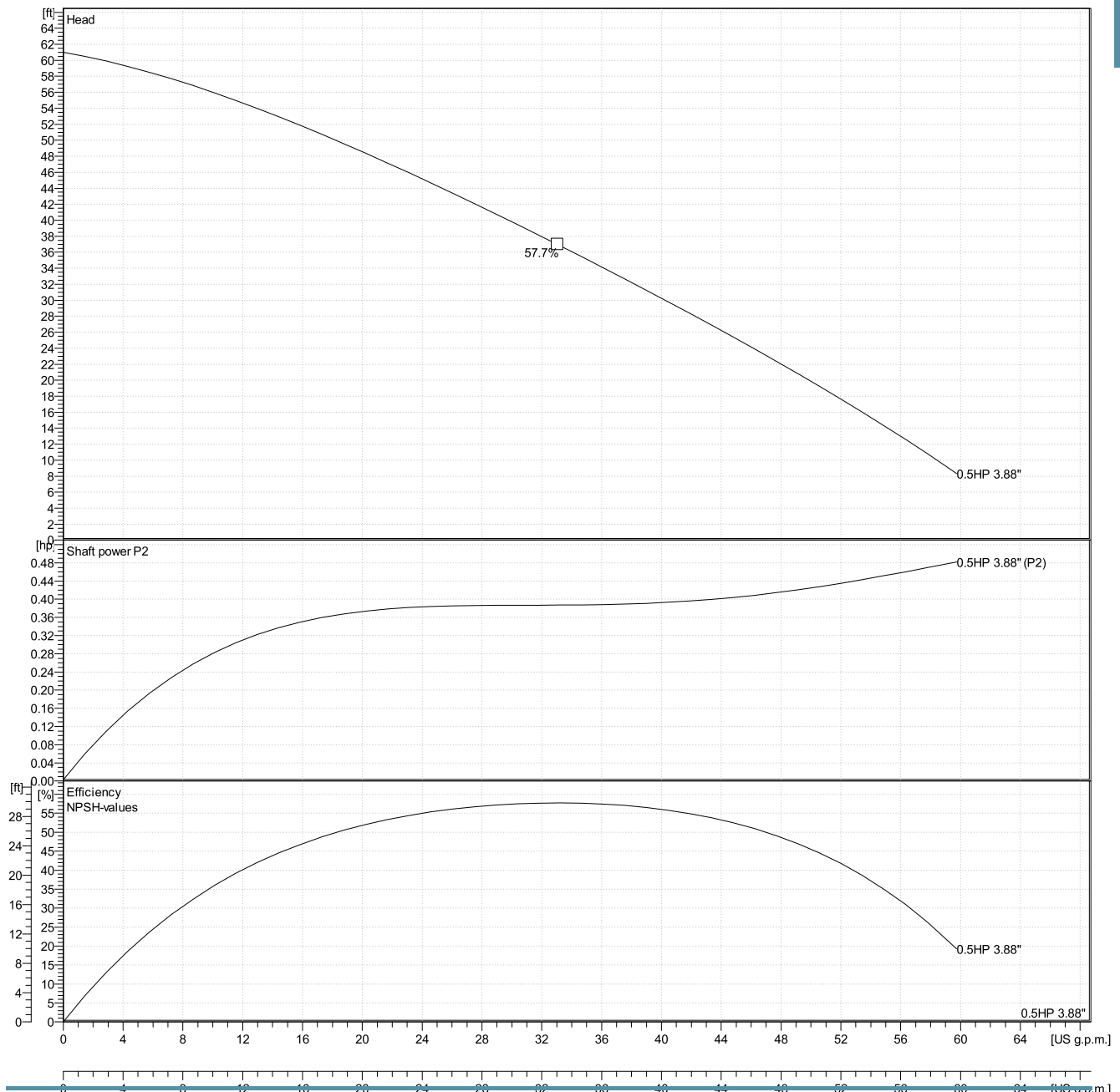
Customer	Date	28.04.2020
Contact	Project	
Phone number	Project no.	
Email		

# 2ED51C0HA

## Hydraulic Data

Operating Data Specification		Hydraulic data (duty point)		Impeller design	
Flow	0 US g.p.m.	Flow		Impeller R	3 7/8"
Head	0 ft	Head		Frequency	60 Hz
Static head	0 ft			Speed	3500 rpm

Power datas referred to:  
Water [100%] ; 39.2°F; 62.4lb/ft³; 1.69E-5ft²/s  
Performance according to ISO 9906 - Annex A

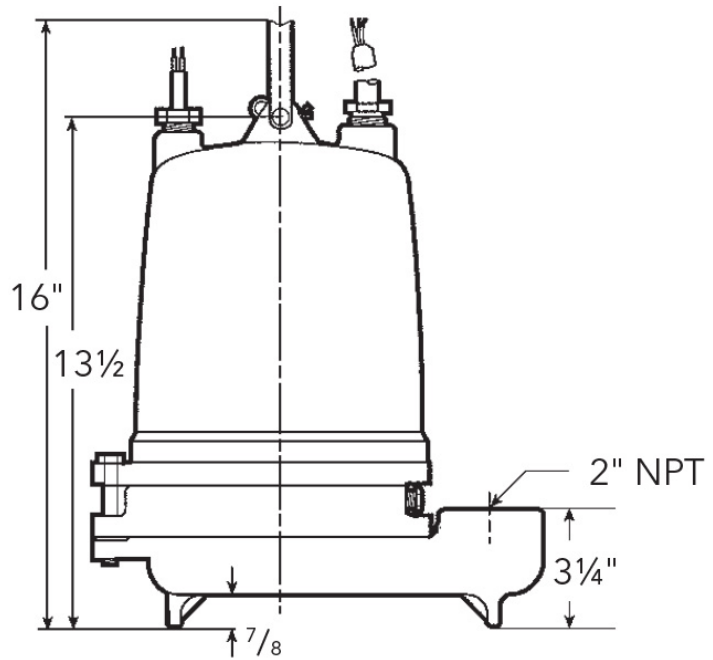
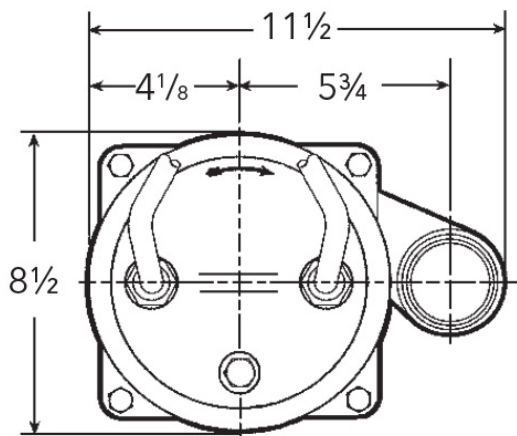




Customer	Date	28.04.2020
Contact	Project	
Phone number	Project no.	
Email		

# 2ED51C0HA

## Drawing



## Dimensions inch

Discharge	2					Weight On demand
-----------	---	--	--	--	--	---------------------