

PROJECT: _____	UNIT TAG: _____	QUANTITY: _____
REPRESENTATIVE: _____	TYPE OF SERVICE: _____	DATE: _____
ENGINEER: _____	SUBMITTED BY: _____	DATE: _____
CONTRACTOR: _____	APPROVED BY: _____	DATE: _____
	ORDER NO.: _____	DATE: _____

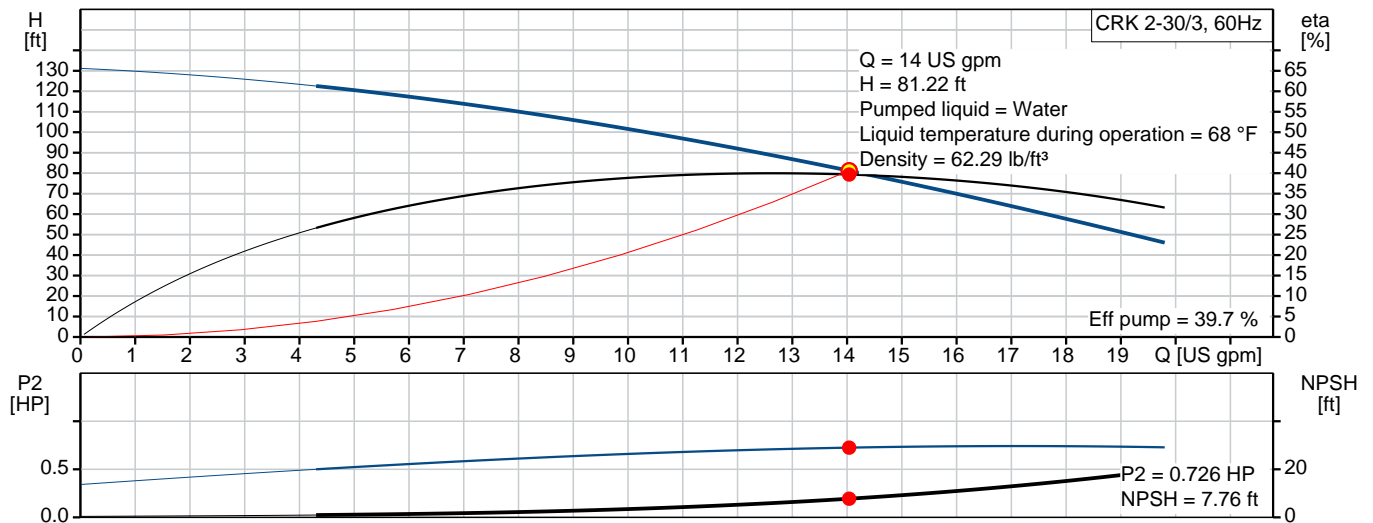


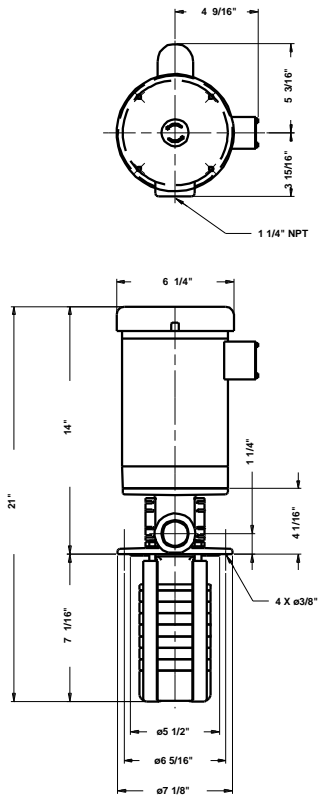
### CRK 2-30/3 U-W-A-AUUV

Coolant and condensate pumps

Product photo could vary from the actual product

Conditions of Service		Pump Data		Motor Data	
Flow:	14 US gpm	Liquid temperature range:	32 .. 194 °F	Rated power - P2:	0.75 HP
Head:	81.22 ft	Maximum ambient temperature:	104 °F	Rated voltage:	115/208-230 V
Efficiency:	_____	Approvals motor:	UL Recognized Component, CSA	Main frequency:	60 Hz
Liquid:	Water	Shaft seal:	AUUV	Insulation class:	B
Temperature:	68 °F	Pipe connection:	1 1/4" NPT	Motor protection:	CONTACT
NPSH required:	7.76 ft	Product number:	40Z97069	Thermal protection:	internal
Viscosity:	_____			Motor type:	Baldor, TEFC
Specific Gravity:	1.000			Motor_efficiency:	66 %





**Materials:**

Pump head: Cast iron  
 EN-JL1030  
 ASTM A48-30 B

Impeller: Stainless steel  
 DIN W.-Nr. 1.4301  
 AISI 304

Material code: A

Count	Description
-------	-------------

1	CRK 2-30/3 U-W-A-AUUV
---	-----------------------



Product photo could vary from the actual product

Product No.: [40Z97069](#)

Multistage, immersible, self-priming, centrifugal pump for vertical installation in tanks etc.

The pump has the following characteristics:

- Installation length according to DIN 5440.
- Impellers, intermediate chambers and spline shaft are made of Stainless steel.
- Mechanical shaft seal according to DIN 24960.
- Power transmission via cast iron split coupling.

The motor is a 1-phase AC motor.

**Liquid:**

Pumped liquid:	Water
Liquid temperature range:	32 .. 194 °F
Selected liquid temperature:	68 °F
Density:	62.29 lb/ft <sup>3</sup>

**Technical:**

Actual calculated flow:	14 US gpm
Resulting head of the pump:	81.22 ft
Primary shaft seal:	AUUV
Approvals on motor nameplate:	UL Recognized Component, CSA
Curve tolerance:	ISO 9906:1999 Annex A

**Materials:**

Pump head:	Cast iron EN-JL1030 ASTM A48-30 B
Impeller:	Stainless steel DIN W.-Nr. 1.4301 AISI 304



Company name: PFC Equipment

Created by:

Phone:

Date: 4/13/2020

Count	Description
	<p><b>Installation:</b> Maximum ambient temperature: 104 °F Pipe connection: 1 1/4" NPT Flange size for motor: 56C</p> <p><b>Electrical data:</b> Motor type: Baldor, TEFC Rated power - P2: 0.75 HP Main frequency: 60 Hz Rated voltage: 1 x 115/208-230 V Service factor: 1.25 Rated current: 9.6/5-4.8 A Starting current: 56/31-28 A Cos phi - power factor: 0.74 Rated speed: 3450 rpm Motor efficiency at full load: 66 % Number of poles: 2 Insulation class (IEC 85): B Motor Number: 85700003</p> <p><b>Others:</b> Country of origin: US Custom tariff no.: 8413.70.2040</p>



Company name: PFC Equipment

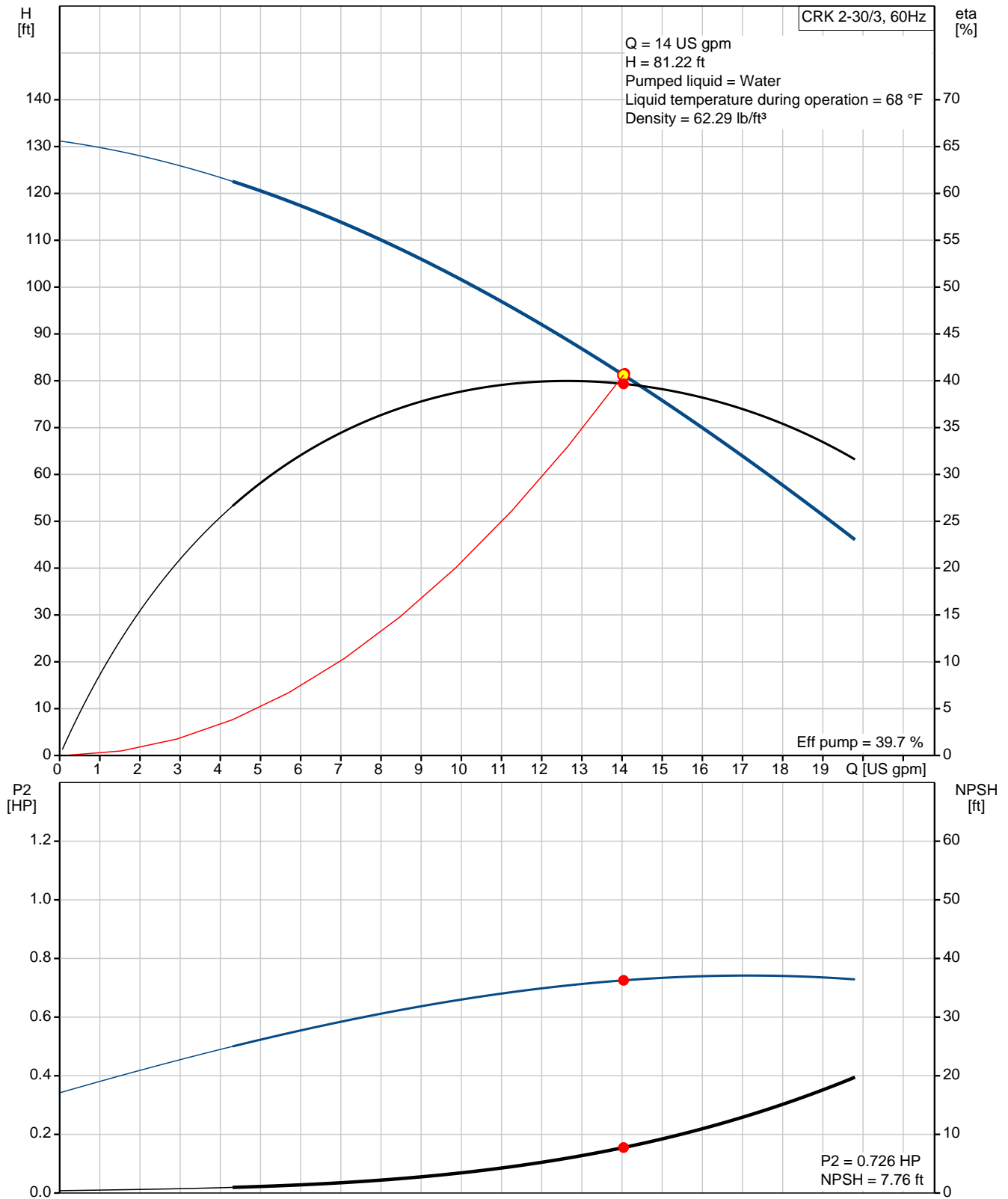
Created by:

Phone:

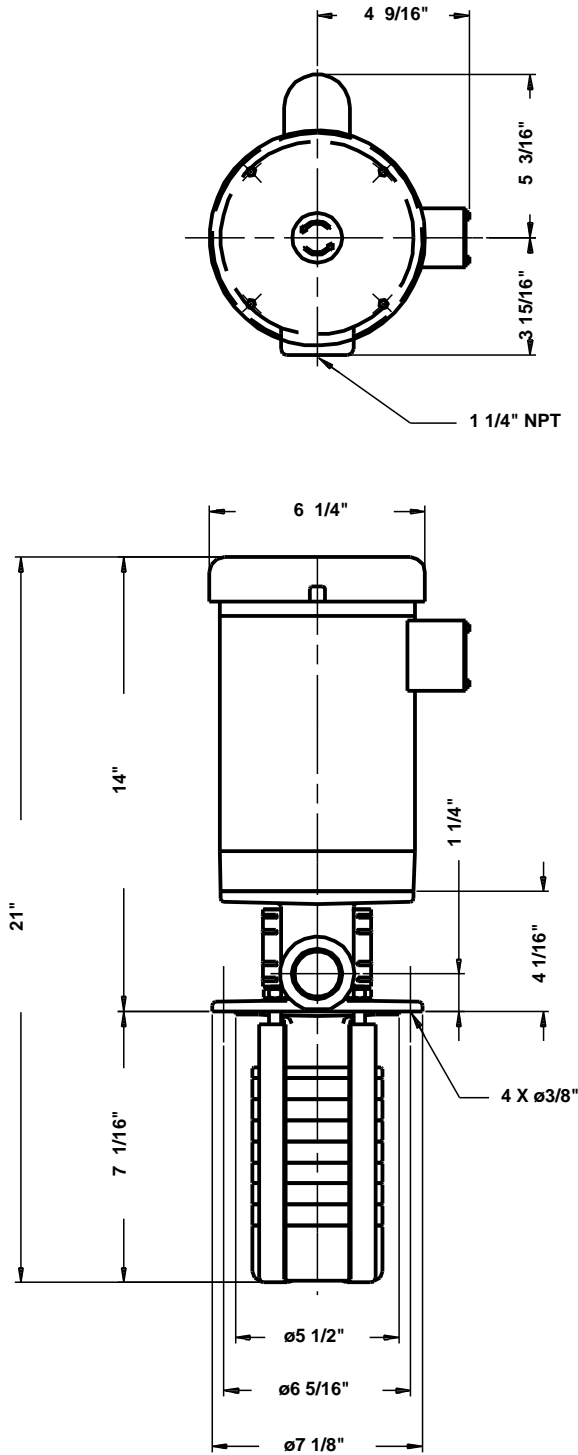
Date:

4/13/2020

### 40Z97069 CRK 2-30/3 U-W-A-AUUV 60 Hz



## 40Z97069 CRK 2-30/3 U-W-A-AUUV 60 Hz



Note! All units are in [in] unless otherwise stated.  
Disclaimer: This simplified dimensional drawing does not show all details.