

PROJECT: _____	UNIT TAG: _____	QUANTITY: _____
REPRESENTATIVE: _____	TYPE OF SERVICE: _____	DATE: _____
ENGINEER: _____	SUBMITTED BY: _____	DATE: _____
CONTRACTOR: _____	APPROVED BY: _____	DATE: _____
	ORDER NO.: _____	DATE: _____

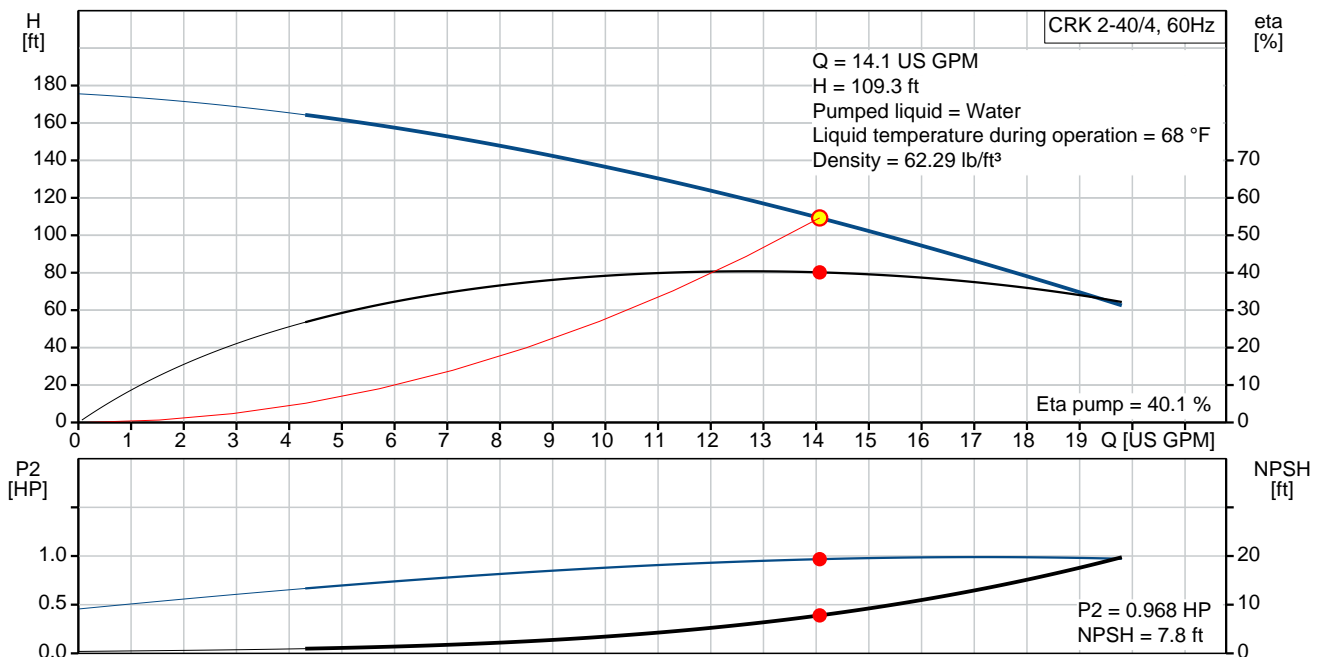


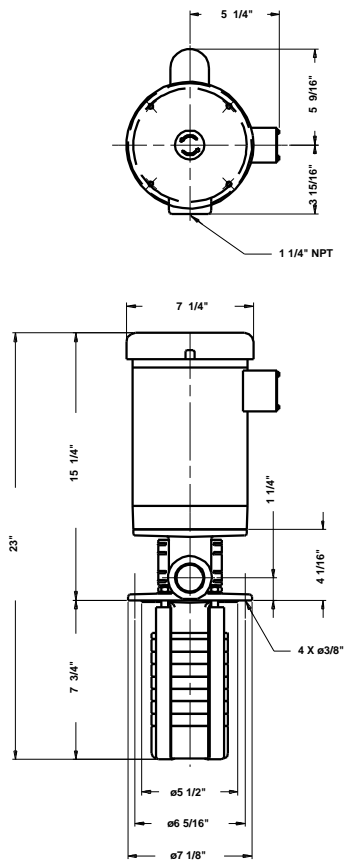
CRK 2-40/4 U-W-A-AUUV

Coolant pumps

Note! Product picture may differ from actual product

Conditions of Service		Pump Data		Motor Data	
Flow:	14.1 US GPM	Liquid temperature range:	32 .. 194 °F	Rated power - P2:	1 HP
Head:	109.3 ft	Maximum ambient temperature:	104 °F	Rated voltage:	115/230 V
Efficiency:	_____	Approvals motor:	UL Recognized Component, CSA	Mains frequency:	60 Hz
Liquid:	Water	Shaft seal:	AUUV	Insulation class:	B
Temperature:	68 °F	Pipe connection:	1 1/4" NPT	Motor protection:	CONTACT
NPSH required:	7.8 ft	Product number:	40Z97070	Thermal protection:	internal
Viscosity:	_____			Motor type:	Baldor, TEFC
Specific Gravity:	1.000			Motor_efficiency:	66.0 %





Materials:

Pump head: Cast iron
 EN-JL1030
 ASTM A48-30 B

Impeller: Stainless steel
 DIN W.-Nr. 1.4301
 AISI 304

Material code: A

Qty. Description

1 CRK 2-40/4 U-W-A-AUUV



Note! Product picture may differ from actual product

Product No.: [40Z97070](#)

Multistage, immersible, self-priming, centrifugal pump for vertical installation in tanks etc.

The pump has the following characteristics:

- Installation length according to DIN 5440.
- Impellers, intermediate chambers and spline shaft are made of Stainless steel.
- Mechanical shaft seal according to EN 12756.
- Power transmission via cast iron split coupling.

The motor is a 1-phase AC motor.

Immersion depth: 7.72 in

Liquid:

Pumped liquid: Water
 Liquid temperature range: 32 .. 194 °F
 Selected liquid temperature: 68 °F
 Density: 62.29 lb/ft³

Technical:

Actual calculated flow: 14.1 US GPM
 Resulting head of the pump: 109.3 ft
 Primary shaft seal: AUUV
 Approvals on motor nameplate: UL Recognized Component, CSA

Materials:

Pump head: Cast iron
 EN-JL1030
 ASTM A48-30 B
 Impeller: Stainless steel
 DIN W.-Nr. 1.4301
 AISI 304

Installation:

Maximum ambient temperature: 104 °F
 Pipe connection: 1 1/4" NPT
 Flange size for motor: 56C

Qty.	Description
------	-------------

Electrical data:

Motor type:	Baldor, TEFC
Rated power - P2:	1 HP
Mains frequency:	60 Hz
Rated voltage:	1 x 115/230 V
Service factor:	1.25
Rated current:	11/5.5 A
Starting current:	77/38.5 A
Cos phi - power factor:	0.81
Rated speed:	3450 rpm
Motor efficiency at full load:	66.0 %
Insulation class (IEC 85):	B
Motor No:	85700004

Others:

Country of origin:	US
Custom tariff no.:	8413.70.2040



Company name:

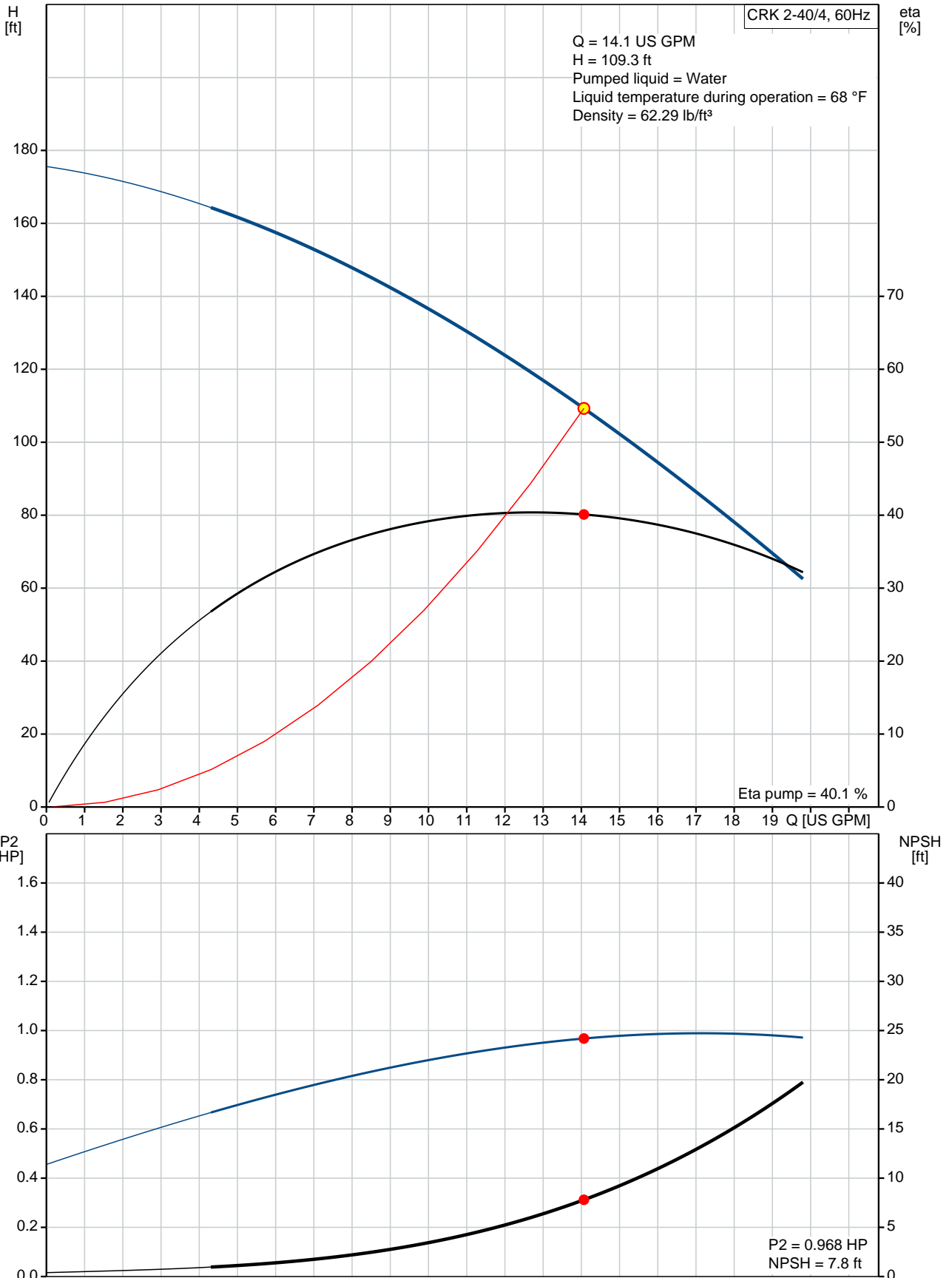
Created by:

Phone:

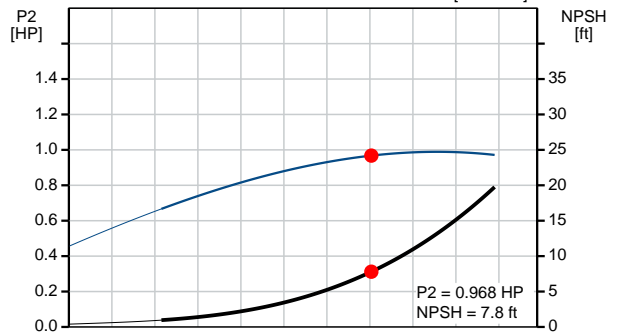
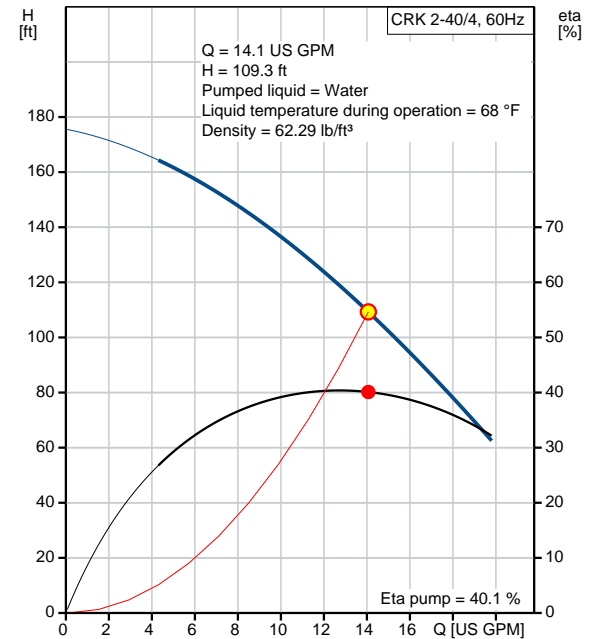
Date:

14/04/2020

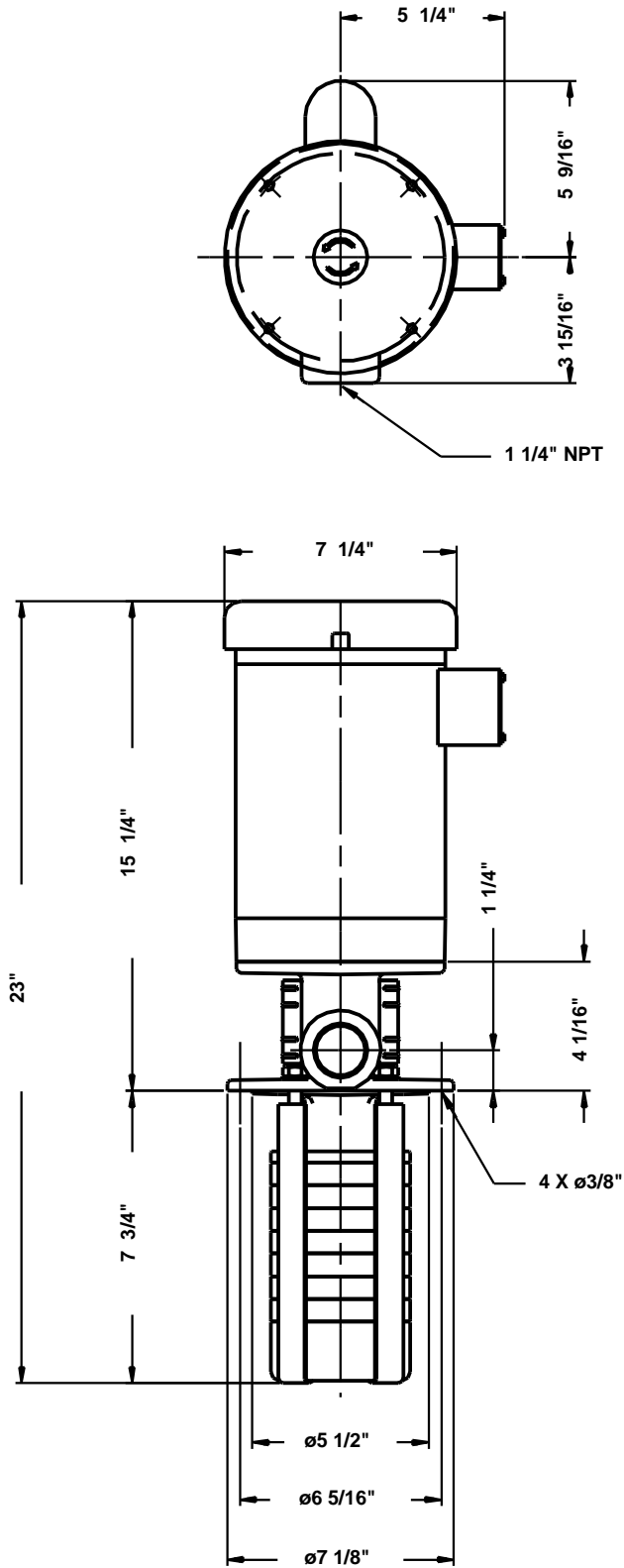
40Z97070 CRK 2-40/4 U-W-A-AUUV 60 Hz



Description	Value
General information:	
Product name:	CRK 2-40/4 U-W-A-AUUV
Product No:	40Z97070
EAN number:	5700394546324
	5700394546324
Technical:	
Actual calculated flow:	14.1 US GPM
Resulting head of the pump:	109.3 ft
Stages:	4
Impellers:	4
Primary shaft seal:	AUUV
Approvals on motor nameplate:	UL Recognized Component, CSA
Pump No:	40920064
Pump version:	U
Materials:	
Pump head:	Cast iron
	EN-JL1030
	ASTM A48-30 B
Impeller:	Stainless steel
	DIN W.-Nr. 1.4301
	AISI 304
Material code:	A
Installation:	
Maximum ambient temperature:	104 °F
Pipe connection:	1 1/4" NPT
Flange size for motor:	56C
Connect code:	W
Liquid:	
Pumped liquid:	Water
Liquid temperature range:	32 .. 194 °F
Selected liquid temperature:	68 °F
Density:	62.29 lb/ft³
Electrical data:	
Motor type:	Baldor, TEFC
Rated power - P2:	1 HP
KVA code:	K
Mains frequency:	60 Hz
Rated voltage:	1 x 115/230 V
Service factor:	1.25
Rated current:	11/5.5 A
Starting current:	77/38.5 A
Load current:	13.6/6.8 A
Cos phi - power factor:	0.81
Rated speed:	3450 rpm
Motor efficiency at full load:	66.0 %
Insulation class (IEC 85):	B
Motor protec:	CONTACT
Thermal protec:	internal
Motor No:	85700004
Others:	
Sales region:	Namreg
Country of origin:	US
Custom tariff no.:	8413.70.2040



40Z97070 CRK 2-40/4 U-W-A-AUUV 60 Hz



Note! All units are in [in] unless others are stated.
Disclaimer: This simplified dimensional drawing does not show all details.