

PROJECT: _____	UNIT TAG: _____	QUANTITY: _____
REPRESENTATIVE: _____	TYPE OF SERVICE: _____	DATE: _____
ENGINEER: _____	SUBMITTED BY: _____	DATE: _____
CONTRACTOR: _____	APPROVED BY: _____	DATE: _____
	ORDER NO.: _____	DATE: _____

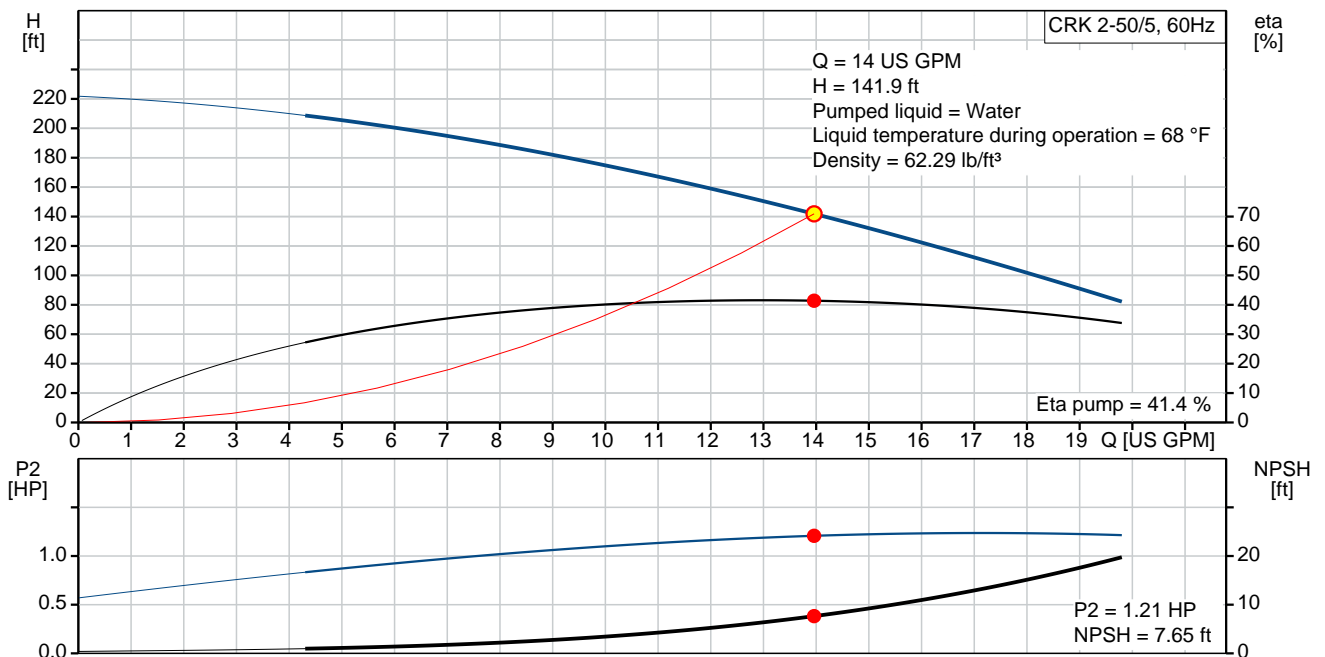


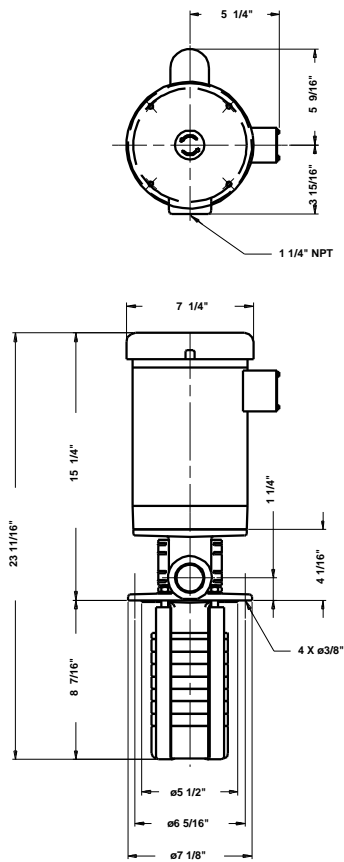
### CRK 2-50/5 U-W-A-AUUV

Coolant pumps

Note! Product picture may differ from actual product

Conditions of Service		Pump Data		Motor Data	
Flow:	14 US GPM	Liquid temperature range:	32 .. 194 °F	Rated power - P2:	1.5 HP
Head:	141.9 ft	Maximum ambient temperature:	104 °F	Rated voltage:	115/208-230 V
Efficiency:	_____	Approvals motor:	UR, CSA	Mains frequency:	60 Hz
Liquid:	Water	Shaft seal:	AUUV	Insulation class:	B
Temperature:	68 °F	Pipe connection:	1 1/4" NPT	Motor protection:	NONE
NPSH required:	7.65 ft	Product number:	40Z97071	Thermal protection:	internal
Viscosity:	_____			Motor type:	Baldor, TEFC
Specific Gravity:	1.000			Motor_efficiency:	71 %





**Materials:**

Pump head: Cast iron  
 EN-JL1030  
 ASTM A48-30 B

Impeller: Stainless steel  
 DIN W.-Nr. 1.4301  
 AISI 304

Material code: A

**Qty. Description**

1 CRK 2-50/5 U-W-A-AUUV



Note! Product picture may differ from actual product

Product No.: [40Z97071](#)

Multistage, immersible, self-priming, centrifugal pump for vertical installation in tanks etc.

The pump has the following characteristics:

- Installation length according to DIN 5440.
- Impellers, intermediate chambers and spline shaft are made of Stainless steel.
- Mechanical shaft seal according to EN 12756.
- Power transmission via cast iron split coupling.

The motor is a 1-phase AC motor.

Immersion depth: 8.43 in

**Liquid:**

Pumped liquid: Water  
 Liquid temperature range: 32 .. 194 °F  
 Selected liquid temperature: 68 °F  
 Density: 62.29 lb/ft<sup>3</sup>

**Technical:**

Actual calculated flow: 14 US GPM  
 Resulting head of the pump: 141.9 ft  
 Primary shaft seal: AUUV  
 Approvals on motor nameplate: UR, CSA  
 Curve tolerance: ISO 9906:1999 Annex A

**Materials:**

Pump head: Cast iron  
 EN-JL1030  
 ASTM A48-30 B  
 Impeller: Stainless steel  
 DIN W.-Nr. 1.4301  
 AISI 304

**Installation:**

Maximum ambient temperature: 104 °F  
 Pipe connection: 1 1/4" NPT



Company name:

Created by:

Phone:

Date:

14/04/2020

Qty.	Description
	Flange size for motor: 56C
	<b>Electrical data:</b>
	Motor type: Baldor, TEFC
	Rated power - P2: 1.5 HP
	Mains frequency: 60 Hz
	Rated voltage: 1 x 115/208-230 V
	Service factor: 1.3
	Rated current: 17/9.5-8.6 A
	Rated speed: 3450 rpm
	Motor efficiency at full load: 71 %
	Number of poles: 2
	Insulation class (IEC 85): B
	Motor No: 84Z04007
	<b>Others:</b>
	Country of origin: US
	Custom tariff no.: 8413.70.2040



Company name:

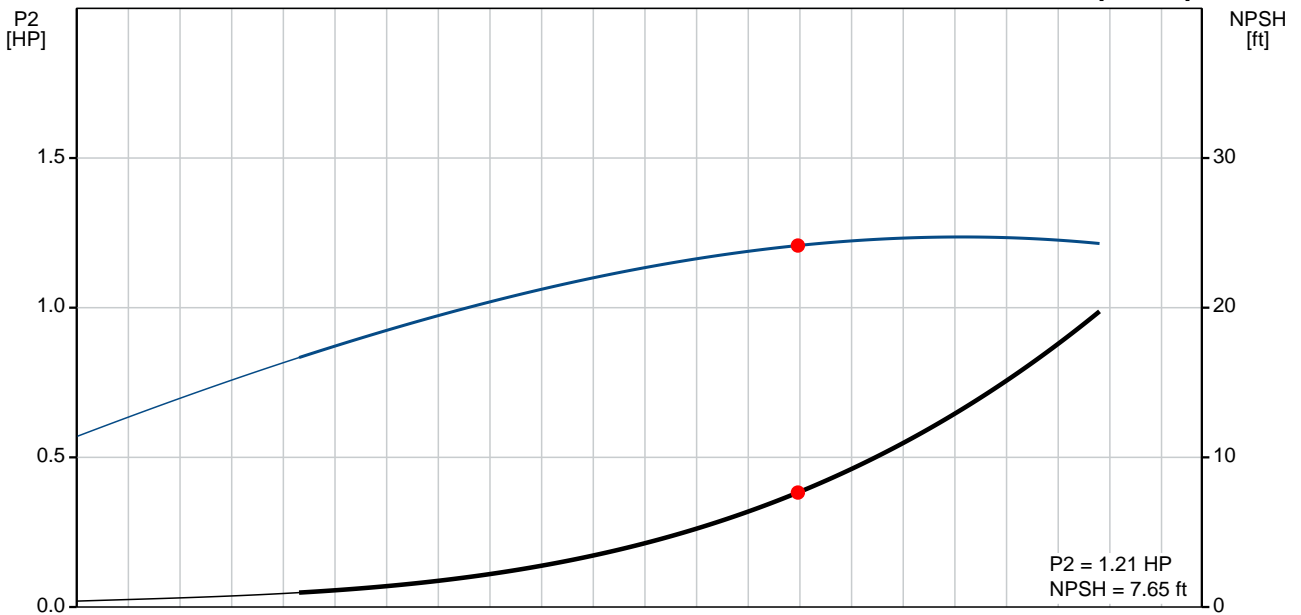
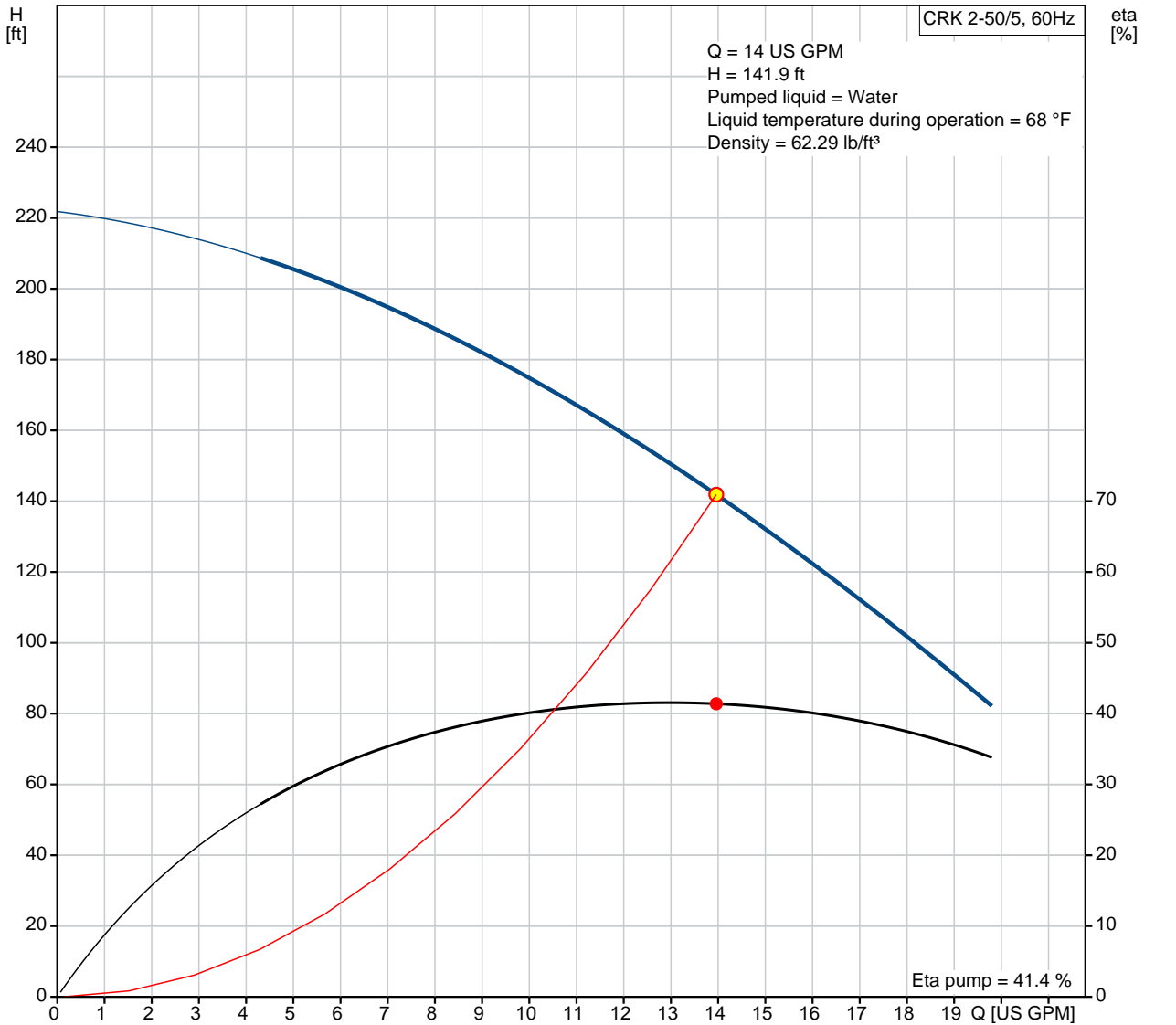
Created by:

Phone:

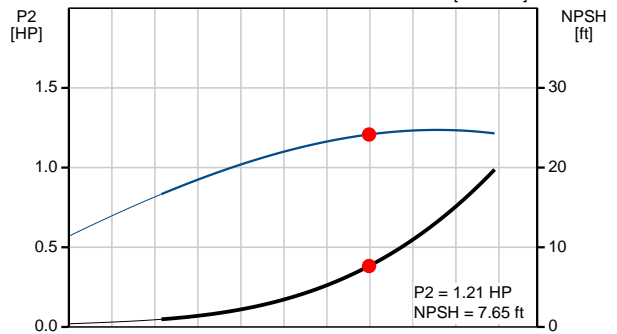
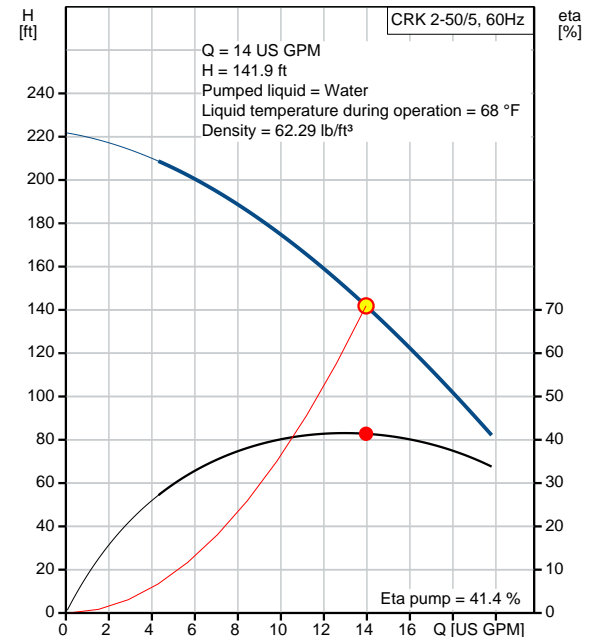
Date:

14/04/2020

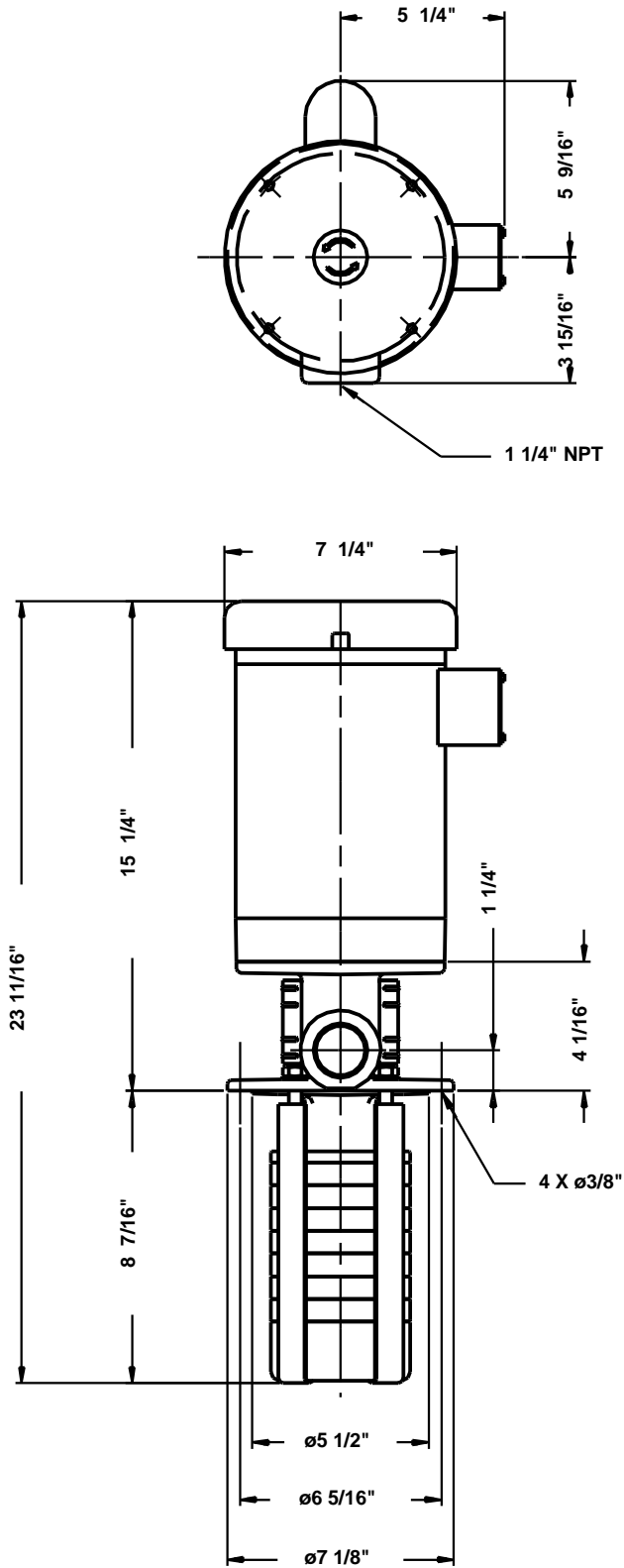
### 40Z97071 CRK 2-50/5 U-W-A-AUUV 60 Hz



Description	Value
<b>General information:</b>	
Product name:	CRK 2-50/5 U-W-A-AUUV
Product No:	40Z97071
EAN number:	5700394546331
	5700394546331
<b>Technical:</b>	
Actual calculated flow:	14 US GPM
Resulting head of the pump:	141.9 ft
Stages:	5
Impellers:	5
Primary shaft seal:	AUUV
Approvals on motor nameplate:	UR, CSA
Curve tolerance:	ISO 9906:1999 Annex A
Pump No:	40920065
Pump version:	U
<b>Materials:</b>	
Pump head:	Cast iron
	EN-JL1030
	ASTM A48-30 B
Impeller:	Stainless steel
	DIN W.-Nr. 1.4301
	AISI 304
Material code:	A
<b>Installation:</b>	
Maximum ambient temperature:	104 °F
Pipe connection:	1 1/4" NPT
Flange size for motor:	56C
Connect code:	W
<b>Liquid:</b>	
Pumped liquid:	Water
Liquid temperature range:	32 .. 194 °F
Selected liquid temperature:	68 °F
Density:	62.29 lb/ft <sup>3</sup>
<b>Electrical data:</b>	
Motor type:	Baldor, TEFC
Rated power - P2:	1.5 HP
KVA code:	K
Mains frequency:	60 Hz
Rated voltage:	1 x 115/208-230 V
Service factor:	1.3
Rated current:	17/9.5-8.6 A
Load current:	20,4/11,3-10,2 A
Rated speed:	3450 rpm
Motor efficiency at full load:	71 %
Number of poles:	2
Insulation class (IEC 85):	B
Motor protec:	NONE
Thermal protec:	internal
Motor No:	84Z04007
<b>Others:</b>	
Sales region:	Namreg
Country of origin:	US
Custom tariff no.:	8413.70.2040



## 40Z97071 CRK 2-50/5 U-W-A-AUUV 60 Hz



Note! All units are in [in] unless others are stated.  
Disclaimer: This simplified dimensional drawing does not show all details.