

PROJECT: _____	UNIT TAG: _____	QUANTITY: _____
REPRESENTATIVE: _____	TYPE OF SERVICE: _____	DATE: _____
ENGINEER: _____	SUBMITTED BY: _____	DATE: _____
CONTRACTOR: _____	APPROVED BY: _____	DATE: _____
	ORDER NO.: _____	DATE: _____

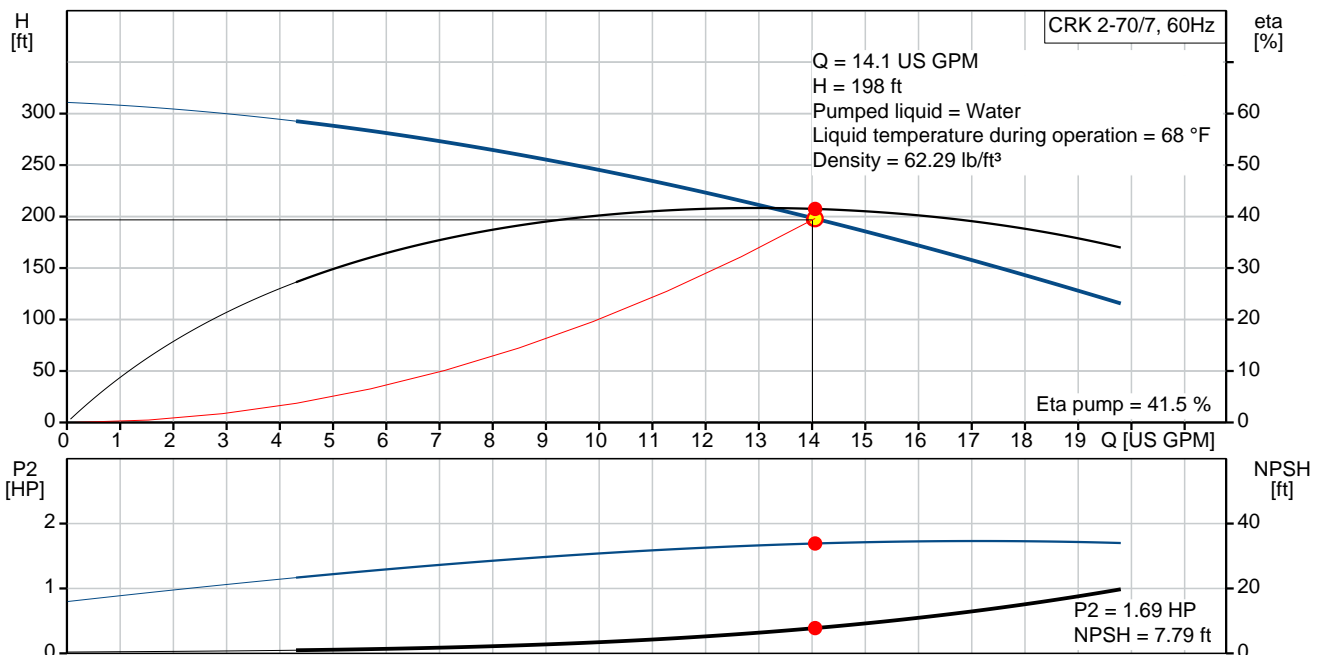


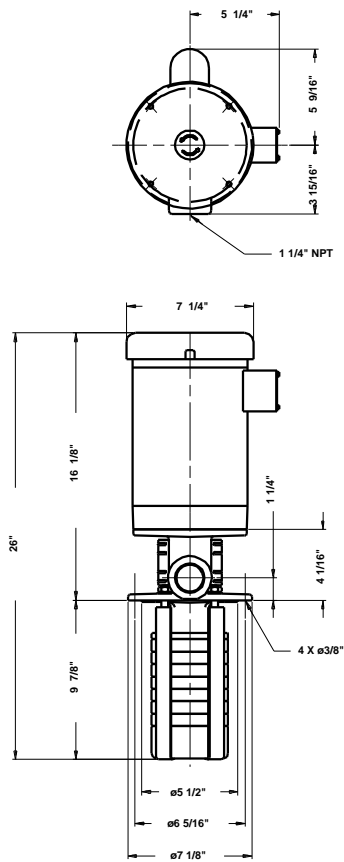
CRK 2-70/7 U-W-A-AUUV

Coolant pumps

Note! Product picture may differ from actual product

Conditions of Service		Pump Data		Motor Data	
Flow:	14.1 US GPM	Liquid temperature range:	32 .. 194 °F	Rated power - P2:	2 HP
Head:	198 ft	Maximum ambient temperature:	104 °F	Rated voltage:	115/208-230 V
Efficiency:	_____	Approvals motor:	UR, CSA	Mains frequency:	60 Hz
Liquid:	Water	Shaft seal:	AUUV	Insulation class:	F
Temperature:	68 °F	Pipe connection:	1 1/4" NPT	Motor protection:	NONE
NPSH required:	7.79 ft	Product number:	40Z97073	Thermal protection:	internal
Viscosity:	_____			Motor type:	Baldor, TEFC
Specific Gravity:	1.000			Motor_efficiency:	74 %





Materials:

Pump head: Cast iron
 EN-JL1030
 ASTM A48-30 B

Impeller: Stainless steel
 DIN W.-Nr. 1.4301
 AISI 304

Material code: A

Qty. Description

1 CRK 2-70/7 U-W-A-AUUV



Note! Product picture may differ from actual product

Product No.: [40Z97073](#)

Multistage, immersible, self-priming, centrifugal pump for vertical installation in tanks etc.

The pump has the following characteristics:

- Installation length according to DIN 5440.
- Impellers, intermediate chambers and spline shaft are made of Stainless steel.
- Mechanical shaft seal according to EN 12756.
- Power transmission via cast iron split coupling.

The motor is a 1-phase AC motor.

Immersion depth: 9.84 in

Liquid:

Pumped liquid: Water
 Liquid temperature range: 32 .. 194 °F
 Selected liquid temperature: 68 °F
 Density: 62.29 lb/ft³

Technical:

Actual calculated flow: 14.1 US GPM
 Resulting head of the pump: 198 ft
 Primary shaft seal: AUUV
 Approvals on motor nameplate: UR, CSA
 Curve tolerance: ISO 9906:1999 Annex A

Materials:

Pump head: Cast iron
 EN-JL1030
 ASTM A48-30 B
 Impeller: Stainless steel
 DIN W.-Nr. 1.4301
 AISI 304

Installation:

Maximum ambient temperature: 104 °F
 Pipe connection: 1 1/4" NPT

Qty.	Description
	<p data-bbox="201 338 612 365">Flange size for motor: 56C</p> <p data-bbox="201 398 379 425">Electrical data:</p> <p data-bbox="201 427 718 454">Motor type: Baldor, TEFC</p> <p data-bbox="201 456 620 483">Rated power - P2: 2 HP</p> <p data-bbox="201 486 632 512">Mains frequency: 60 Hz</p> <p data-bbox="201 515 767 542">Rated voltage: 1 x 115/208-230 V</p> <p data-bbox="201 544 612 571">Service factor: 1.15</p> <p data-bbox="201 573 751 600">Rated current: 23,0/12,7-11,5 A</p> <p data-bbox="201 602 671 629">Rated speed: 3450 rpm</p> <p data-bbox="201 631 624 658">Motor efficiency at full load: 74 %</p> <p data-bbox="201 660 580 687">Number of poles: 2</p> <p data-bbox="201 689 580 716">Insulation class (IEC 85): F</p> <p data-bbox="201 719 679 745">Motor No: 84Z04010</p> <p data-bbox="201 779 292 806">Others:</p> <p data-bbox="201 808 600 835">Country of origin: US</p> <p data-bbox="201 837 719 864">Custom tariff no.: 8413.70.2040</p>



Company name:

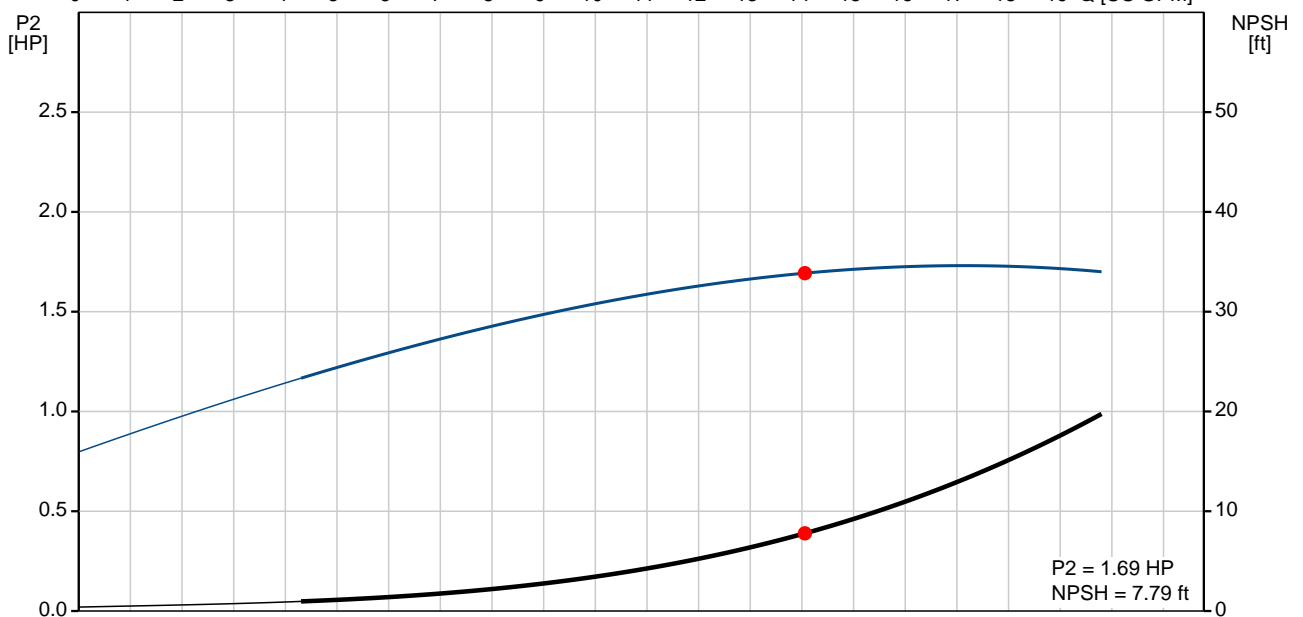
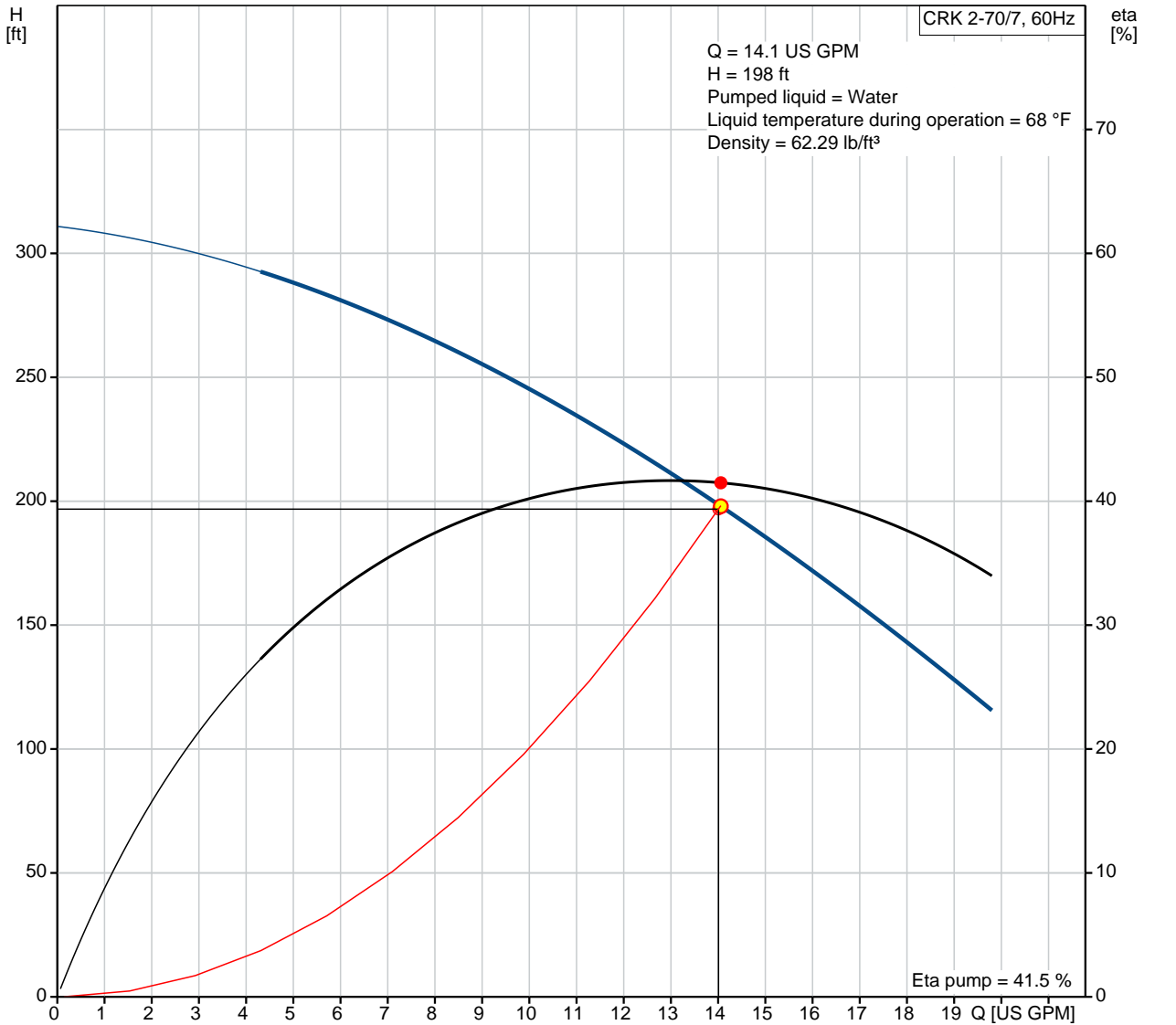
Created by:

Phone:

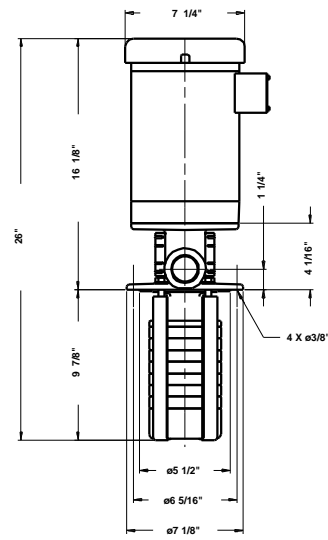
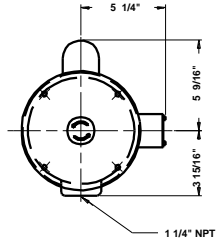
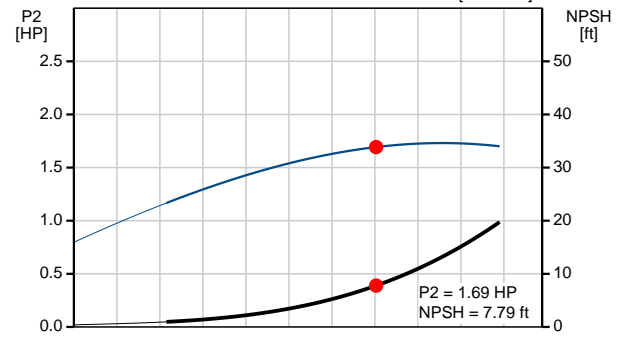
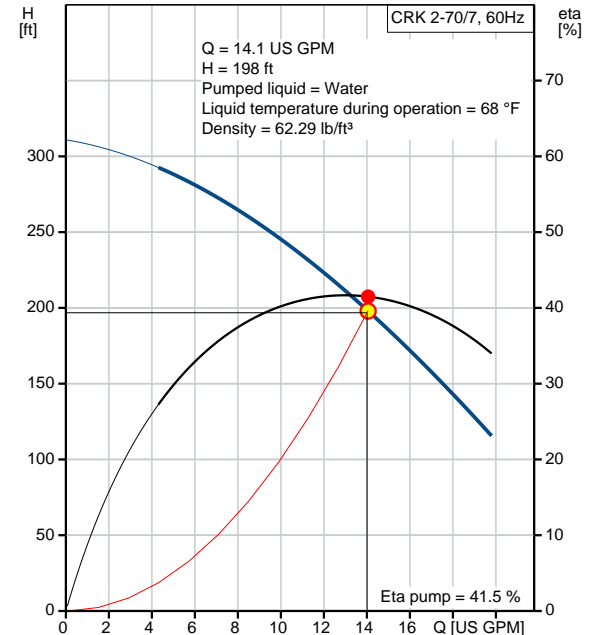
Date:

15/04/2020

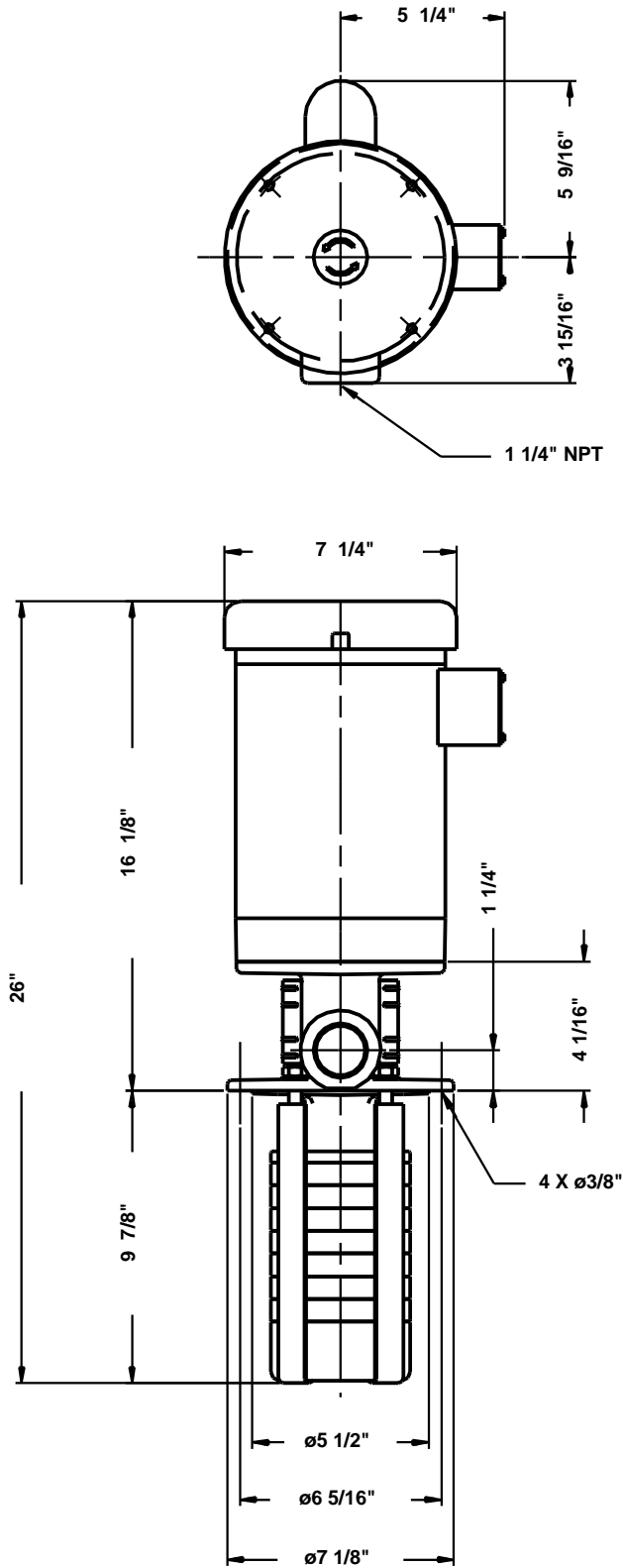
40Z97073 CRK 2-70/7 U-W-A-AUUV 60 Hz



Description	Value
General information:	
Product name:	CRK 2-70/7 U-W-A-AUUV
Product No:	40Z97073
EAN number:	5700394546355
	5700394546355
Technical:	
Actual calculated flow:	14.1 US GPM
Resulting head of the pump:	198 ft
Stages:	7
Impellers:	7
Primary shaft seal:	AUUV
Approvals on motor nameplate:	UR, CSA
Curve tolerance:	ISO 9906:1999 Annex A
Pump No:	40920067
Pump version:	U
Materials:	
Pump head:	Cast iron
	EN-JL1030
	ASTM A48-30 B
Impeller:	Stainless steel
	DIN W.-Nr. 1.4301
	AISI 304
Material code:	A
Installation:	
Maximum ambient temperature:	104 °F
Pipe connection:	1 1/4" NPT
Flange size for motor:	56C
Connect code:	W
Liquid:	
Pumped liquid:	Water
Liquid temperature range:	32 .. 194 °F
Selected liquid temperature:	68 °F
Density:	62.29 lb/ft ³
Electrical data:	
Motor type:	Baldor, TEFC
Rated power - P2:	2 HP
KVA code:	K
Mains frequency:	60 Hz
Rated voltage:	1 x 115/208-230 V
Service factor:	1.15
Rated current:	23.0/12.7-11.5 A
Load current:	25.4/12.7 A
Rated speed:	3450 rpm
Motor efficiency at full load:	74 %
Number of poles:	2
Insulation class (IEC 85):	F
Motor protec:	NONE
Thermal protec:	internal
Motor No:	84Z04010
Others:	
Sales region:	Namreg
Country of origin:	US
Custom tariff no.:	8413.70.2040



40Z97073 CRK 2-70/7 U-W-A-AUUV 60 Hz



Note! All units are in [in] unless others are stated.
Disclaimer: This simplified dimensional drawing does not show all details.