

PROJECT: _____	UNIT TAG: _____	QUANTITY: _____
REPRESENTATIVE: _____	TYPE OF SERVICE: _____	DATE: _____
ENGINEER: _____	SUBMITTED BY: _____	DATE: _____
CONTRACTOR: _____	APPROVED BY: _____	DATE: _____
	ORDER NO.: _____	DATE: _____

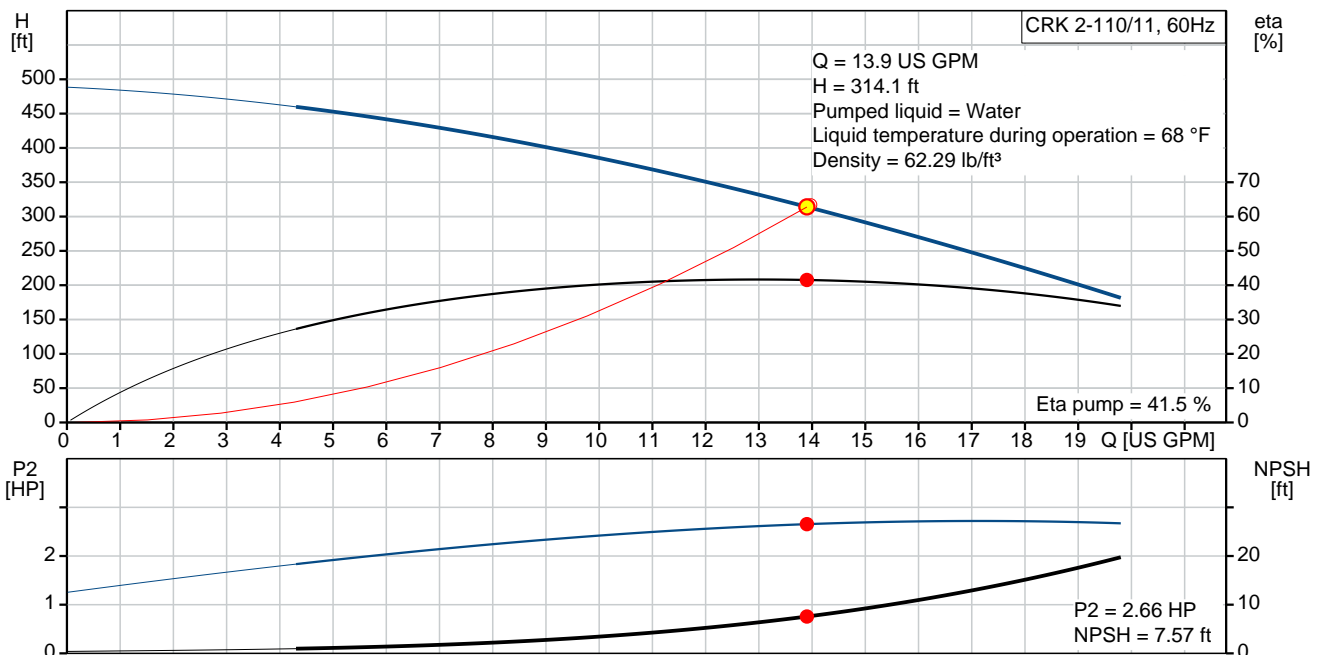


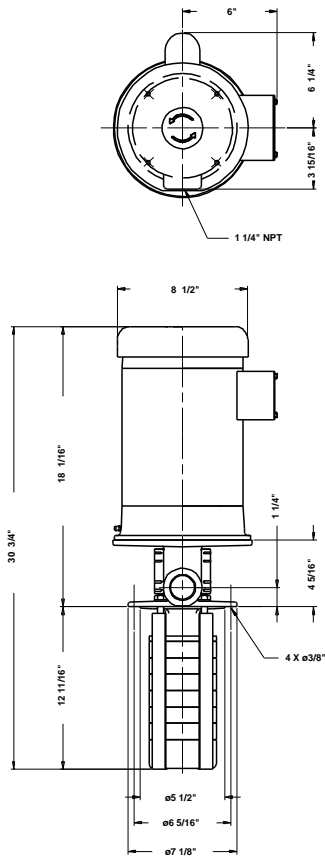
CRK 2-110/11 U-W-A-AUUV

Coolant pumps

Note! Product picture may differ from actual product

Conditions of Service		Pump Data		Motor Data	
Flow:	13.9 US GPM	Liquid temperature range:	32 .. 194 °F	Rated power - P2:	3 HP
Head:	314.1 ft	Maximum ambient temperature:	104 °F	Rated voltage:	115/208-230 V
Efficiency:	_____	Approvals motor:	UL Recognized Component, CSA	Mains frequency:	60 Hz
Liquid:	Water	Shaft seal:	AUUV	Insulation class:	F
Temperature:	68 °F	Pipe connection:	1 1/4" NPT	Motor protection:	CONTACT
NPSH required:	7.57 ft	Product number:	40Z97077	Thermal protection:	internal
Viscosity:	_____			Motor type:	Baldor, TEFC
Specific Gravity:	1.000			Motor_efficiency:	75 %





Materials:

Pump head: Cast iron
 EN-JL1030
 ASTM A48-30 B

Impeller: Stainless steel
 DIN W.-Nr. 1.4301
 AISI 304

Material code: A

Qty. Description

1 CRK 2-110/11 U-W-A-AUUV



Note! Product picture may differ from actual product

Product No.: [40Z97077](#)

Multistage, immersible, self-priming, centrifugal pump for vertical installation in tanks etc.

The pump has the following characteristics:

- Installation length according to DIN 5440.
- Impellers, intermediate chambers and spline shaft are made of Stainless steel.
- Mechanical shaft seal according to EN 12756.
- Power transmission via cast iron split coupling.

The motor is a 1-phase AC motor.

Immersion depth: 12.7 in

Liquid:

Pumped liquid: Water
 Liquid temperature range: 32 .. 194 °F
 Selected liquid temperature: 68 °F
 Density: 62.29 lb/ft³

Technical:

Actual calculated flow: 13.9 US GPM
 Resulting head of the pump: 314.1 ft
 Primary shaft seal: AUUV
 Approvals on motor nameplate: UL Recognized Component, CSA
 Curve tolerance: ISO 9906:1999 Annex A

Materials:

Pump head: Cast iron
 EN-JL1030
 ASTM A48-30 B
 Impeller: Stainless steel
 DIN W.-Nr. 1.4301
 AISI 304

Installation:

Maximum ambient temperature: 104 °F
 Pipe connection: 1 1/4" NPT

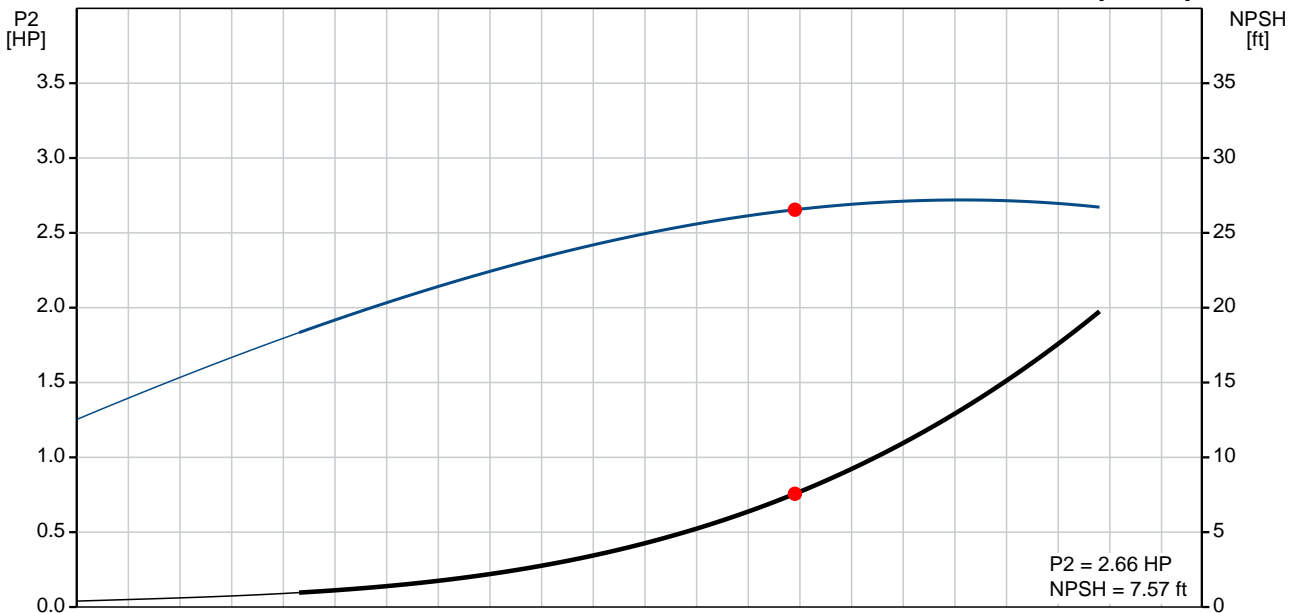
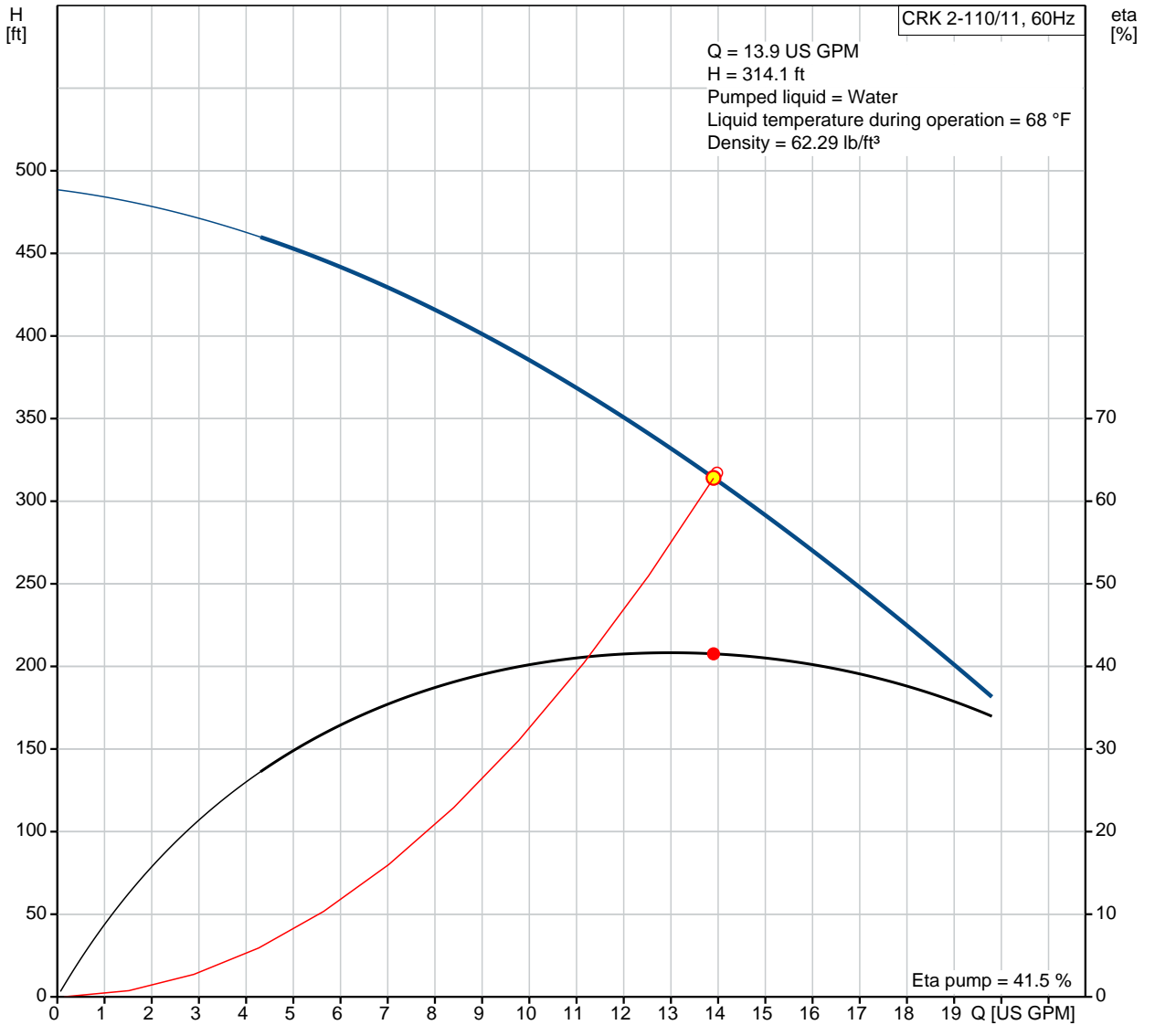
Qty.	Description
	Flange size for motor: 182TC
	Electrical data:
	Motor type: Baldor, TEFC
	Rated power - P2: 3 HP
	Mains frequency: 60 Hz
	Rated voltage: 1 x 115/208-230 V
	Service factor: 1.15
	Rated current: 29/16-14.5 A
	Starting current: 170/93.5-85 A
	Cos phi - power factor: 0.88
	Rated speed: 3450 rpm
	Motor efficiency at full load: 75 %
	Number of poles: 2
	Insulation class (IEC 85): F
	Motor No: 85700008
	Others:
	Country of origin: US
	Custom tariff no.: 8413.70.2040



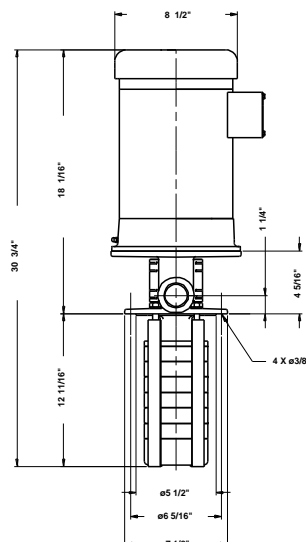
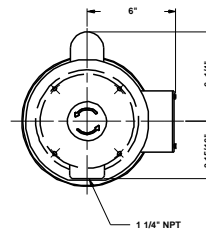
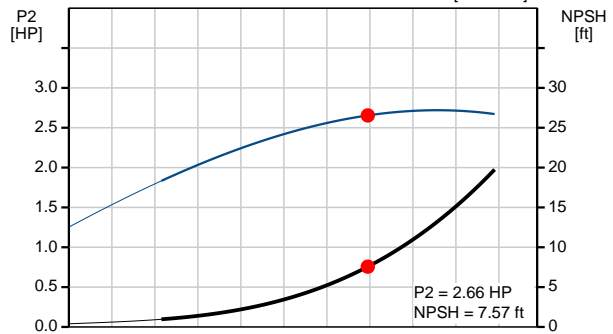
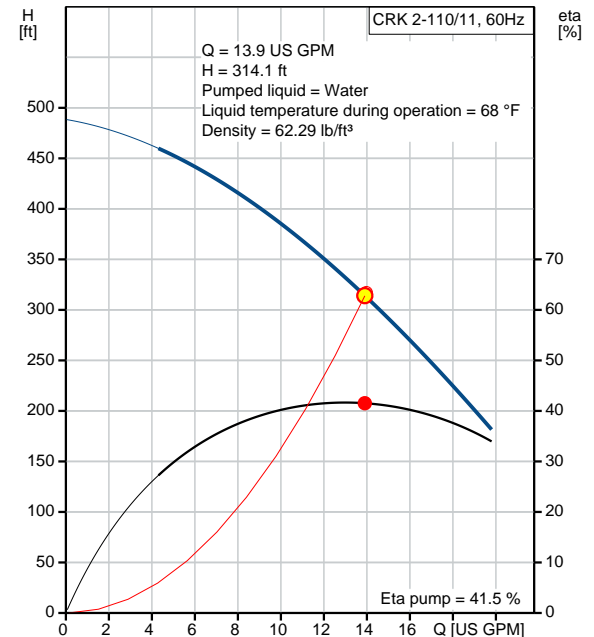
Company name:
Created by:
Phone:

Date: 15/04/2020

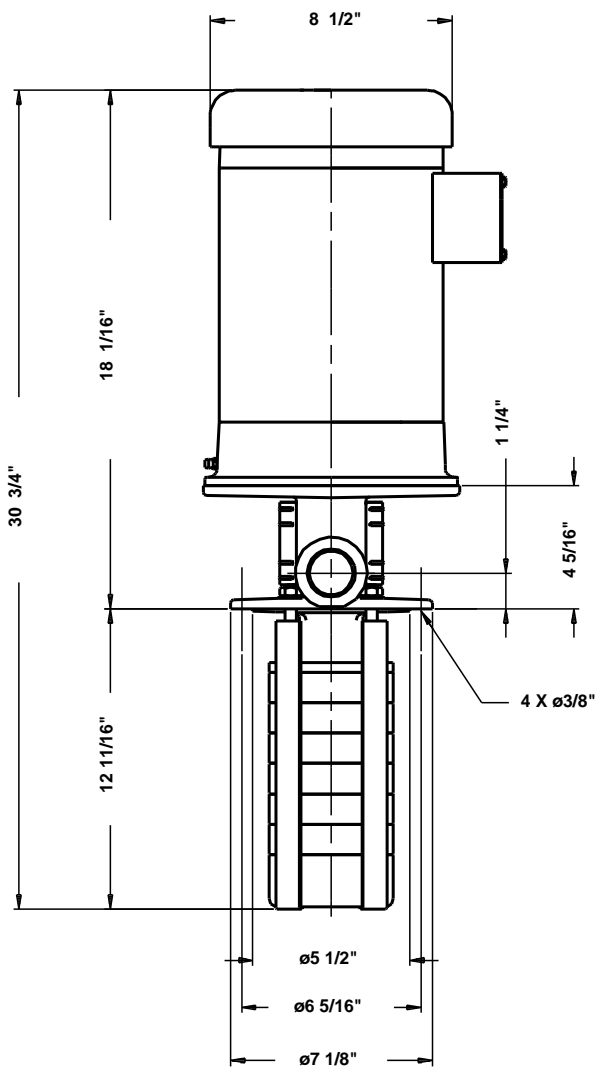
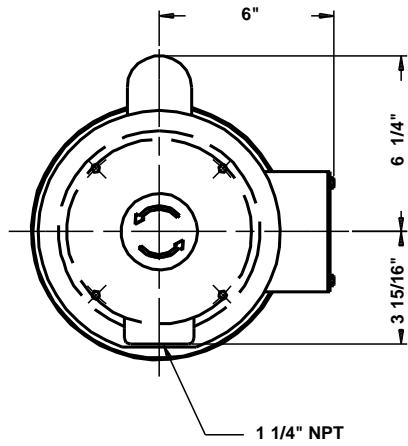
40Z97077 CRK 2-110/11 U-W-A-AUUV 60 Hz



Description	Value
General information:	
Product name:	CRK 2-110/11 U-W-A-AUUV
Product No:	40Z97077
EAN number:	5700394546379
	5700394546379
Technical:	
Actual calculated flow:	13.9 US GPM
Resulting head of the pump:	314.1 ft
Stages:	11
Impellers:	11
Primary shaft seal:	AUUV
Approvals on motor nameplate:	UL Recognized Component, CSA
Curve tolerance:	ISO 9906:1999 Annex A
Pump No:	40920071
Pump version:	U
Materials:	
Pump head:	Cast iron
	EN-JL1030
	ASTM A48-30 B
Impeller:	Stainless steel
	DIN W.-Nr. 1.4301
	AISI 304
Material code:	A
Installation:	
Maximum ambient temperature:	104 °F
Pipe connection:	1 1/4" NPT
Flange size for motor:	182TC
Connect code:	W
Liquid:	
Pumped liquid:	Water
Liquid temperature range:	32 .. 194 °F
Selected liquid temperature:	68 °F
Density:	62.29 lb/ft³
Electrical data:	
Motor type:	Baldor, TEFC
Rated power - P2:	3 HP
KVA code:	H
Mains frequency:	60 Hz
Rated voltage:	1 x 115/208-230 V
Service factor:	1.15
Rated current:	29/16-14.5 A
Starting current:	170/93.5-85 A
Load current:	32.8/18-16.4 A
Cos phi - power factor:	0.88
Rated speed:	3450 rpm
Motor efficiency at full load:	75 %
Number of poles:	2
Insulation class (IEC 85):	F
Motor protec:	CONTACT
Thermal protec:	internal
Motor No:	85700008
Others:	
Sales region:	Namreg
Country of origin:	US
Custom tariff no.:	8413.70.2040



40Z97077 CRK 2-110/11 U-W-A-AUUV 60 Hz



Note! All units are in [in] unless others are stated.
Disclaimer: This simplified dimensional drawing does not show all details.