

| | | |
|-----------------------|------------------------|-----------------|
| PROJECT: _____ | UNIT TAG: _____ | QUANTITY: _____ |
| REPRESENTATIVE: _____ | TYPE OF SERVICE: _____ | DATE: _____ |
| ENGINEER: _____ | SUBMITTED BY: _____ | DATE: _____ |
| CONTRACTOR: _____ | APPROVED BY: _____ | DATE: _____ |
| | ORDER NO.: _____ | DATE: _____ |

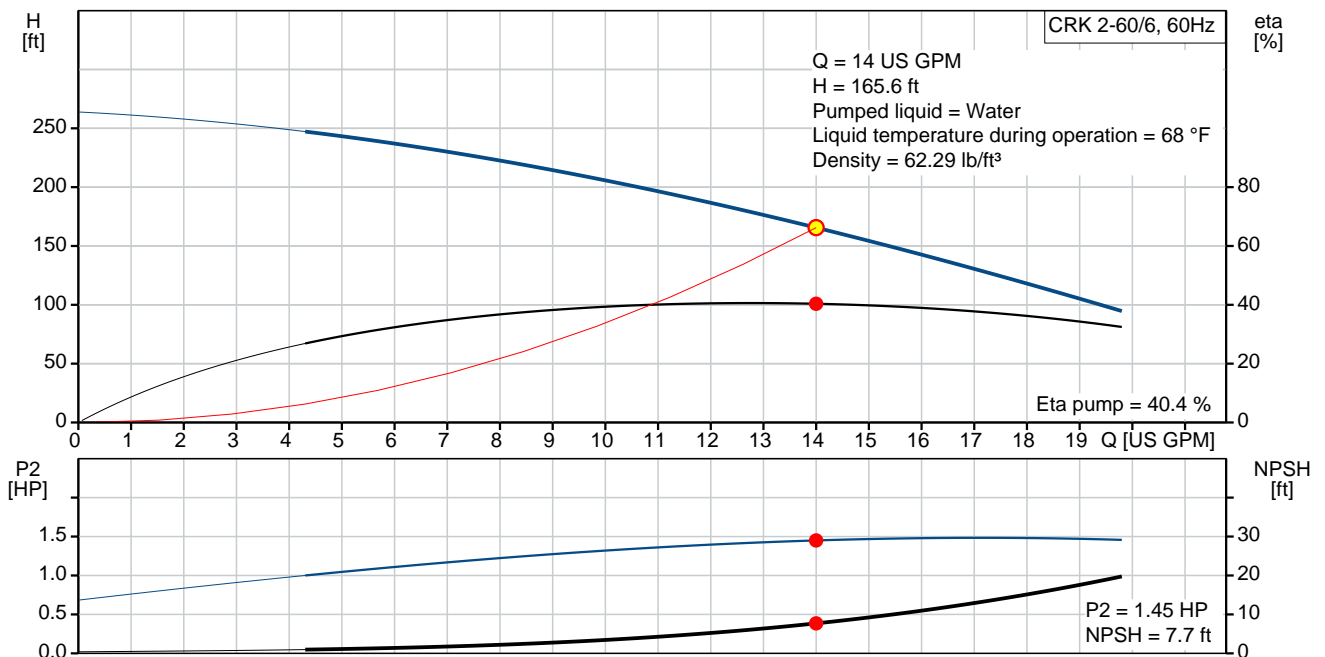


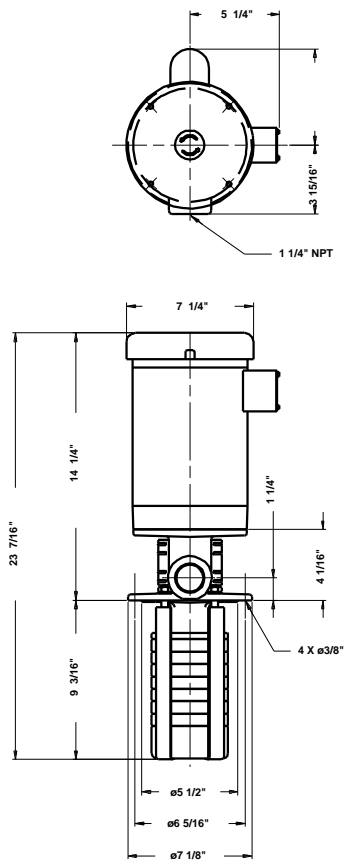
CRK 2-60/6 U-W-A-AUUV

Coolant pumps

Note! Product picture may differ from actual product

| Conditions of Service | | Pump Data | | Motor Data | |
|-----------------------|-----------|------------------------------|------------------------------|-------------------|---------------|
| Flow: | 14 US GPM | Liquid temperature range: | 32 .. 194 °F | Rated power - P2: | 1.5 HP |
| Head: | 165.6 ft | Maximum ambient temperature: | 104 °F | Rated voltage: | 208-230/460 V |
| Efficiency: | _____ | Approvals motor: | UL Recognized Component, CSA | Mains frequency: | 60 Hz |
| Liquid: | Water | Shaft seal: | AUUV | Insulation class: | B |
| Temperature: | 68 °F | Pipe connection: | 1 1/4" NPT | Motor protection: | NONE |
| NPSH required: | 7.7 ft | Product number: | 40Z97105 | Motor type: | Baldor, TEFC |
| Viscosity: | _____ | | | Motor_efficiency: | 75.5 % |
| Specific Gravity: | 1.000 | | | | |





Materials:

Pump head: Cast iron
 EN-JL1030
 ASTM A48-30 B

Impeller: Stainless steel
 DIN W.-Nr. 1.4301
 AISI 304

Material code: A

Qty. Description

1 CRK 2-60/6 U-W-A-AUUV



Note! Product picture may differ from actual product

Product No.: [40Z97105](#)

Multistage, immersible, self-priming, centrifugal pump for vertical installation in tanks etc.

The pump has the following characteristics:

- Installation length according to DIN 5440.
- Impellers, intermediate chambers and spline shaft are made of Stainless steel.
- Mechanical shaft seal according to EN 12756.
- Power transmission via cast iron split coupling.

The motor is a 3-phase AC motor.

Immersion depth: 9.13 in

Liquid:

Pumped liquid: Water
 Liquid temperature range: 32 .. 194 °F
 Selected liquid temperature: 68 °F
 Density: 62.29 lb/ft³

Technical:

Actual calculated flow: 14 US GPM
 Resulting head of the pump: 165.6 ft
 Primary shaft seal: AUUV
 Approvals on motor nameplate: UL Recognized Component, CSA
 Curve tolerance: ISO 9906:1999 Annex A

Materials:

Pump head: Cast iron
 EN-JL1030
 ASTM A48-30 B
 Impeller: Stainless steel
 DIN W.-Nr. 1.4301
 AISI 304

Installation:

Maximum ambient temperature: 104 °F
 Pipe connection: 1 1/4" NPT

| Qty. | Description |
|------|--|
| | <p>Flange size for motor: 56C</p> <p>Electrical data:</p> <p>Motor type: Baldor, TEFC</p> <p>Rated power - P2: 1.5 HP</p> <p>Mains frequency: 60 Hz</p> <p>Rated voltage: 3 x 208-230/460 V</p> <p>Service factor: 1.15</p> <p>Rated current: 5.0-4.6/2.3 A</p> <p>Starting current: 35.4-32/16 A</p> <p>Cos phi - power factor: 0.76</p> <p>Rated speed: 3450 rpm</p> <p>Motor efficiency at full load: 75.5 %</p> <p>Number of poles: 2</p> <p>Insulation class (IEC 85): B</p> <p>Motor No: 85600005</p> <p>Others:</p> <p>Country of origin: US</p> <p>Custom tariff no.: 8413.70.2040</p> |



Company name:

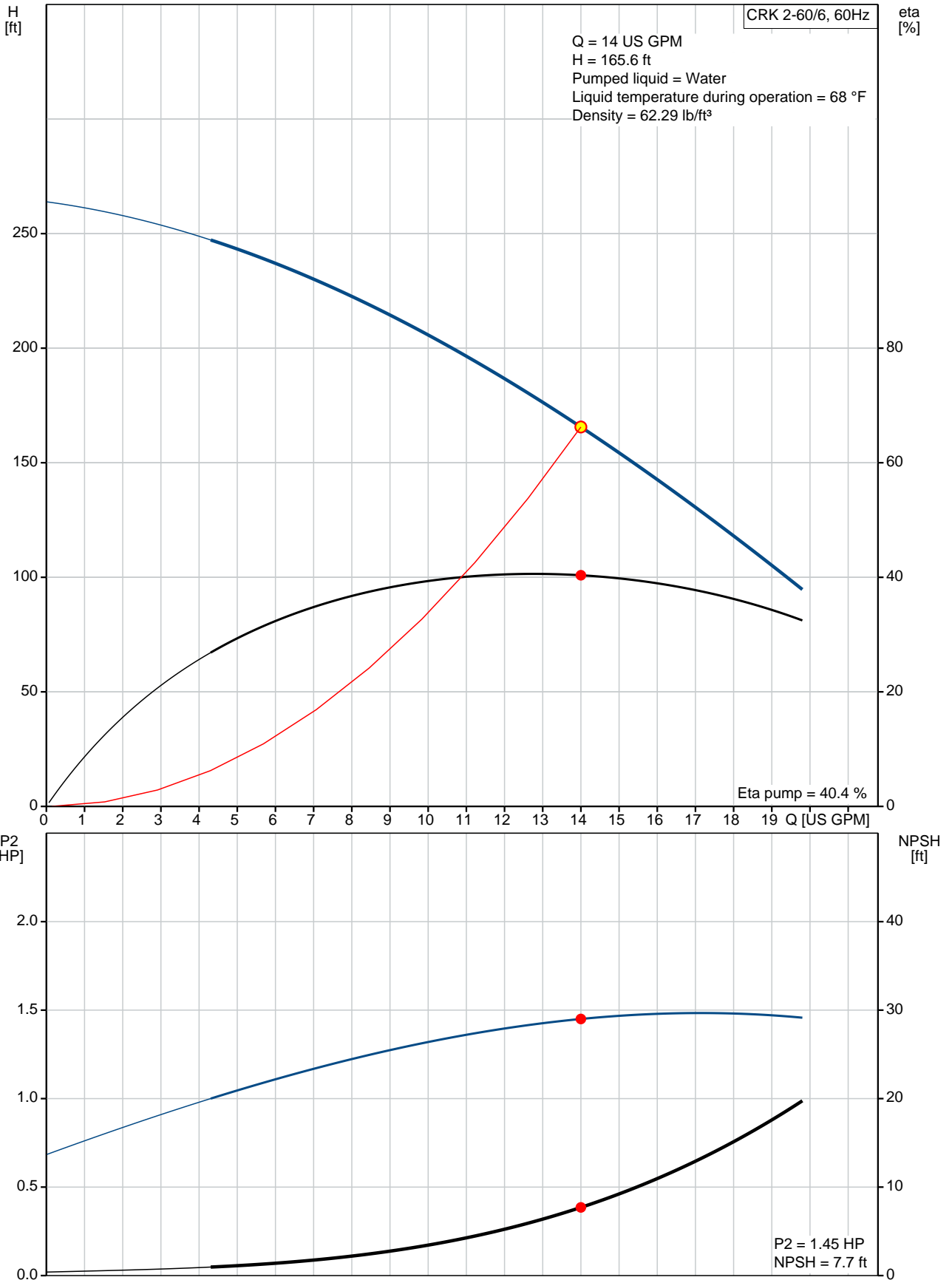
Created by:

Phone:

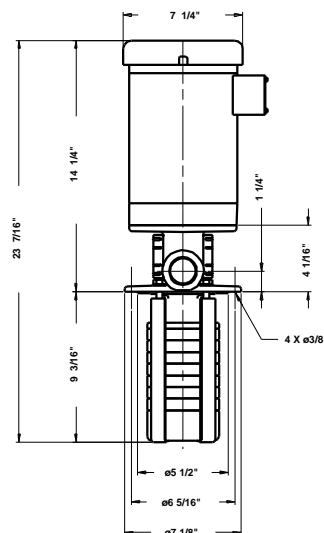
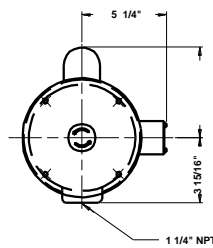
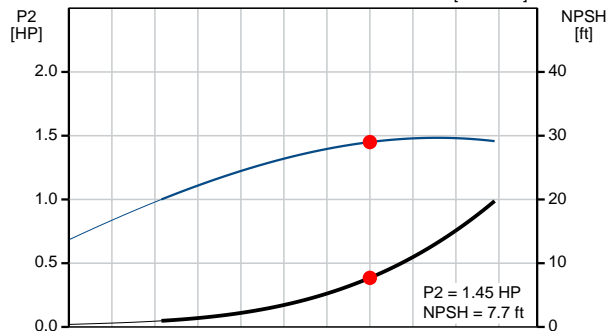
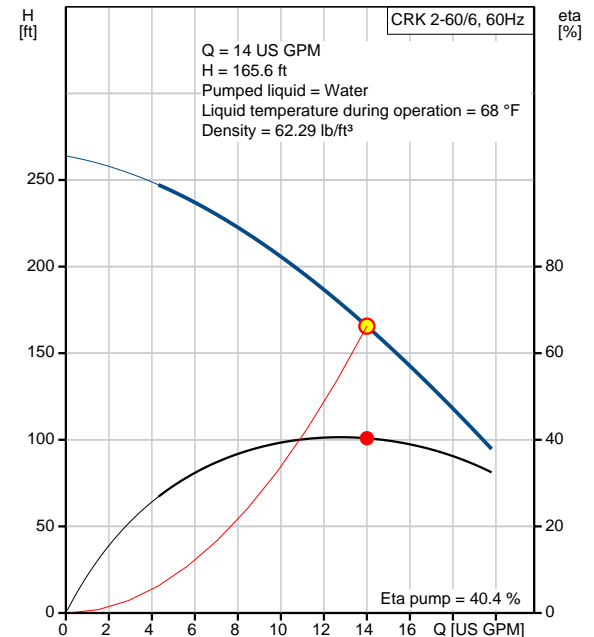
Date:

15/04/2020

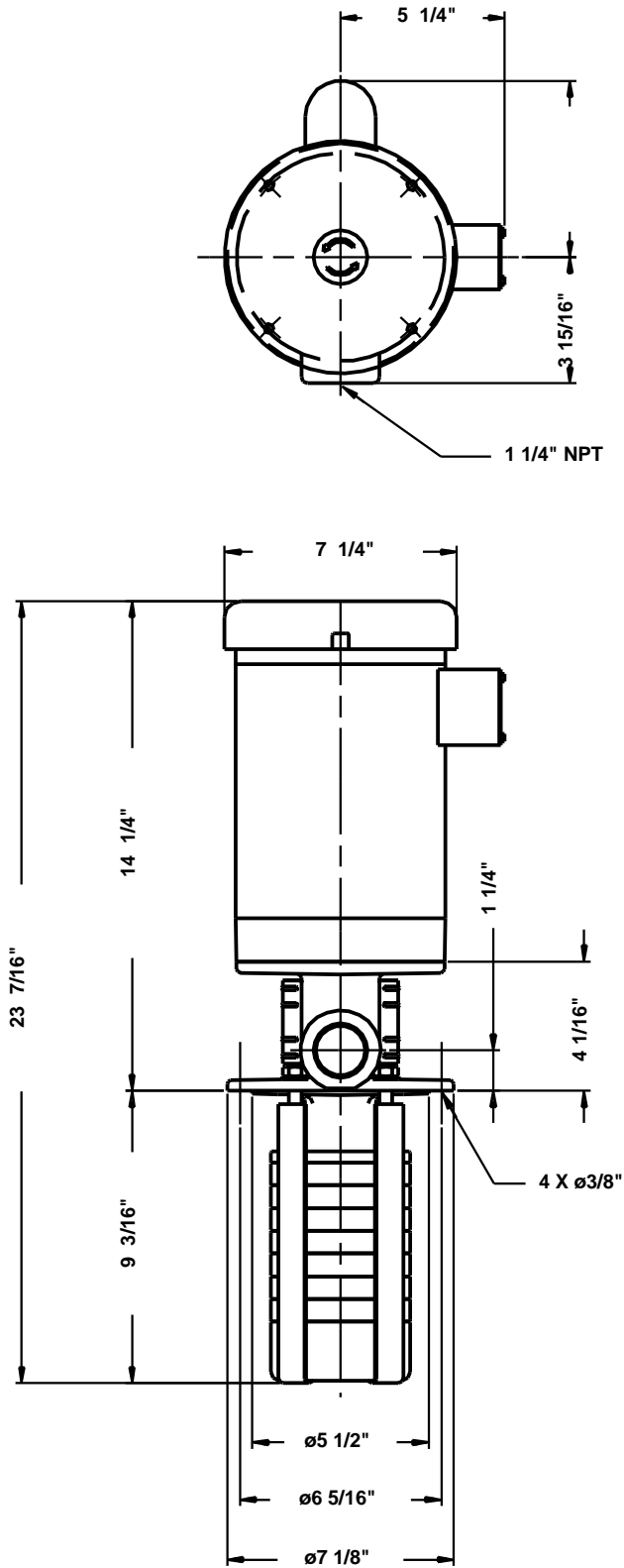
40Z97105 CRK 2-60/6 U-W-A-AUUV 60 Hz



| Description | Value |
|--------------------------------|------------------------------|
| General information: | |
| Product name: | CRK 2-60/6 U-W-A-AUUV |
| Product No: | 40Z97105 |
| EAN number: | 5700390833800 |
| | 5700390833800 |
| Technical: | |
| Actual calculated flow: | 14 US GPM |
| Resulting head of the pump: | 165.6 ft |
| Stages: | 6 |
| Impellers: | 6 |
| Primary shaft seal: | AUUV |
| Approvals on motor nameplate: | UL Recognized Component, CSA |
| Curve tolerance: | ISO 9906:1999 Annex A |
| Pump No: | 40920066 |
| Pump version: | U |
| Materials: | |
| Pump head: | Cast iron |
| | EN-JL1030 |
| | ASTM A48-30 B |
| Impeller: | Stainless steel |
| | DIN W.-Nr. 1.4301 |
| | AISI 304 |
| Material code: | A |
| Installation: | |
| Maximum ambient temperature: | 104 °F |
| Pipe connection: | 1 1/4" NPT |
| Flange size for motor: | 56C |
| Connect code: | W |
| Liquid: | |
| Pumped liquid: | Water |
| Liquid temperature range: | 32 .. 194 °F |
| Selected liquid temperature: | 68 °F |
| Density: | 62.29 lb/ft ³ |
| Electrical data: | |
| Motor type: | Baldor, TEFC |
| Rated power - P2: | 1.5 HP |
| KVA code: | G |
| Mains frequency: | 60 Hz |
| Rated voltage: | 3 x 208-230/460 V |
| Service factor: | 1.15 |
| Rated current: | 5.0-4.6/2.3 A |
| Starting current: | 35.4-32/16 A |
| Load current: | 5.8-5.4/2.7 A |
| Cos phi - power factor: | 0.76 |
| Rated speed: | 3450 rpm |
| Motor efficiency at full load: | 75.5 % |
| Number of poles: | 2 |
| Insulation class (IEC 85): | B |
| Motor protec: | NONE |
| Motor No: | 85600005 |
| Others: | |
| Sales region: | Namreg |
| Country of origin: | US |
| Custom tariff no.: | 8413.70.2040 |



40Z97105 CRK 2-60/6 U-W-A-AUUV 60 Hz



Note! All units are in [in] unless others are stated.
Disclaimer: This simplified dimensional drawing does not show all details.