

PROJECT: _____	UNIT TAG: _____	QUANTITY: _____
REPRESENTATIVE: _____	TYPE OF SERVICE: _____	DATE: _____
ENGINEER: _____	SUBMITTED BY: _____	DATE: _____
CONTRACTOR: _____	APPROVED BY: _____	DATE: _____
	ORDER NO.: _____	DATE: _____

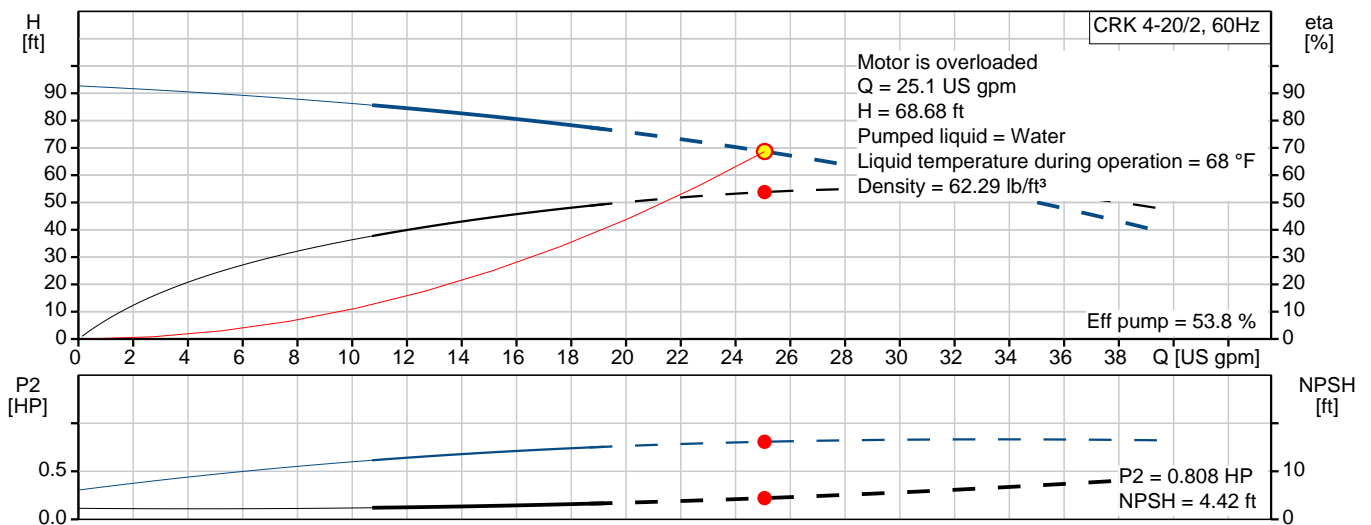


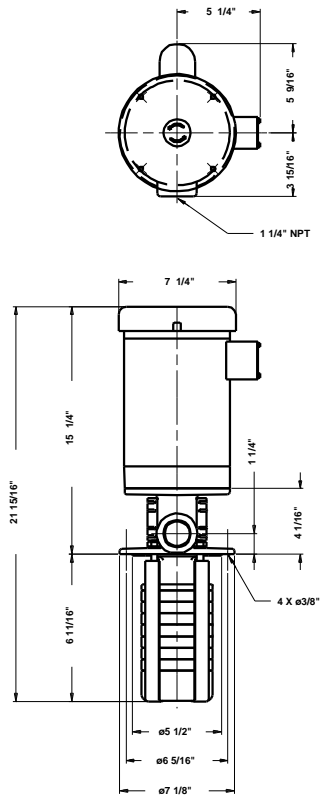
### CRK 4-20/2 U-W-A-AUUV

Coolant and condensate pumps

Product photo could vary from the actual product

Conditions of Service		Pump Data		Motor Data	
Flow:	25.1 US gpm	Liquid temperature range:	32 .. 194 °F	Rated power - P2:	0.75 HP
Head:	68.68 ft	Maximum ambient temperature:	104 °F	Rated voltage:	115/208-230 V
Efficiency:	_____	Approvals motor:	UL Recognized Component, CSA	Main frequency:	60 Hz
Liquid:	Water	Shaft seal:	AUUV	Insulation class:	B
Temperature:	68 °F	Pipe connection:	1 1/4" NPT	Motor protection:	CONTACT
NPSH required:	4.42 ft	Product number:	41Z97068	Thermal protection:	internal
Viscosity:	_____			Motor type:	Baldor, TEFC
Specific Gravity:	1.000			Motor_efficiency:	66 %





**Materials:**

- Pump head: Cast iron  
EN-JL1030  
ASTM A48-30 B
- Impeller: Stainless steel  
DIN W.-Nr. 1.4301  
AISI 304
- Material code: A

Count	Description
-------	-------------

1	CRK 4-20/2 U-W-A-AUUV
---	-----------------------



Product photo could vary from the actual product

Product No.: [41Z97068](#)

Multistage, immersible, self-priming, centrifugal pump for vertical installation in tanks etc.

The pump has the following characteristics:

- Installation length according to DIN 5440.
- Impellers, intermediate chambers and spline shaft are made of Stainless steel.
- Mechanical shaft seal according to DIN 24960.
- Power transmission via cast iron split coupling.

The motor is a 1-phase AC motor.

**Liquid:**

Pumped liquid:	Water
Liquid temperature range:	32 .. 194 °F
Selected liquid temperature:	68 °F
Density:	62.29 lb/ft <sup>3</sup>

**Technical:**

Actual calculated flow:	25.1 US gpm
Resulting head of the pump:	68.68 ft
Primary shaft seal:	AUUV
Approvals on motor nameplate:	UL Recognized Component, CSA
Curve tolerance:	ISO 9906:1999 Annex A

**Materials:**

Pump head:	Cast iron EN-JL1030 ASTM A48-30 B
Impeller:	Stainless steel DIN W.-Nr. 1.4301 AISI 304



Company name: PFC Equipment

Created by:

Phone:

Date: 4/16/2020

Count	Description
	<p data-bbox="224 338 362 365"><b>Installation:</b></p> <p data-bbox="224 369 657 396">Maximum ambient temperature: 104 °F</p> <p data-bbox="224 401 704 428">Pipe connection: 1 1/4" NPT</p> <p data-bbox="224 432 630 459">Flange size for motor: 56C</p> <p data-bbox="224 489 399 516"><b>Electrical data:</b></p> <p data-bbox="224 520 734 548">Motor type: Baldor, TEFC</p> <p data-bbox="224 552 673 579">Rated power - P2: 0.75 HP</p> <p data-bbox="224 583 647 611">Main frequency: 60 Hz</p> <p data-bbox="224 615 784 642">Rated voltage: 1 x 115/208-230 V</p> <p data-bbox="224 646 630 674">Service factor: 1.25</p> <p data-bbox="224 678 704 705">Rated current: 9.6/5-4.8 A</p> <p data-bbox="224 709 704 737">Starting current: 56/31-28 A</p> <p data-bbox="224 741 630 768">Cos phi - power factor: 0.74</p> <p data-bbox="224 772 688 800">Rated speed: 3450 rpm</p> <p data-bbox="224 804 641 831">Motor efficiency at full load: 66 %</p> <p data-bbox="224 835 594 863">Number of poles: 2</p> <p data-bbox="224 867 594 894">Insulation class (IEC 85): B</p> <p data-bbox="224 898 695 926">Motor Number: 85700003</p> <p data-bbox="224 955 313 982"><b>Others:</b></p> <p data-bbox="224 987 618 1014">Country of origin: US</p> <p data-bbox="224 1018 734 1045">Custom tariff no.: 8413.70.2040</p>



Company name: PFC Equipment

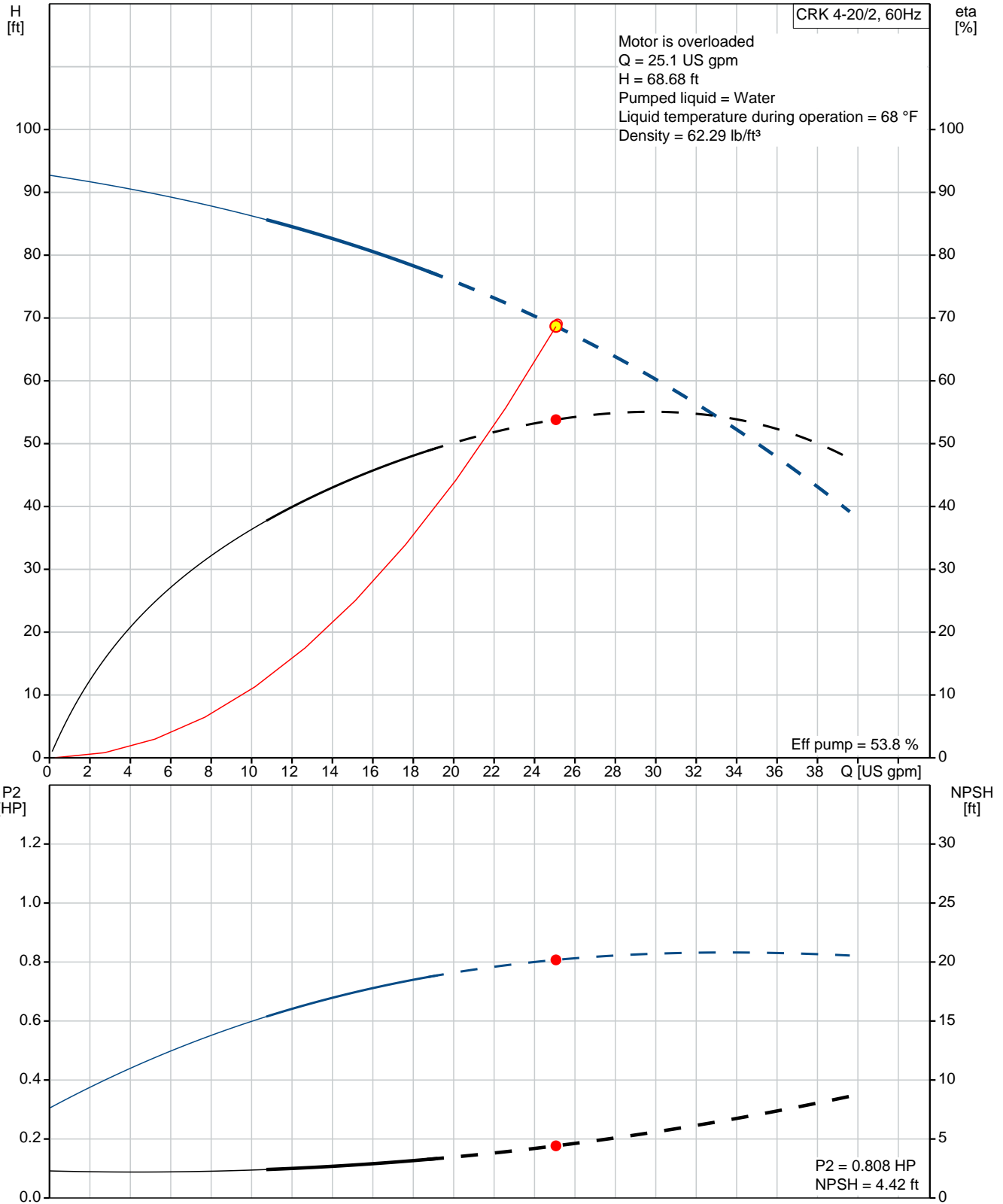
Created by:

Phone:

Date:

4/16/2020

### 41Z97068 CRK 4-20/2 U-W-A-AUUV 60 Hz





Company name: PFC Equipment

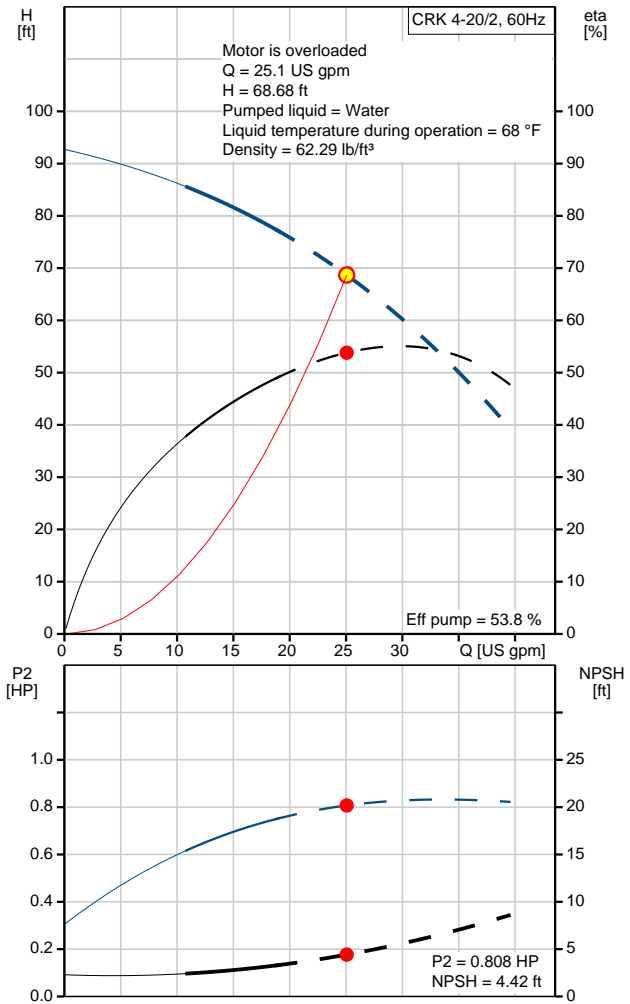
Created by:

Phone:

Date:

4/16/2020

Description	Value
<b>General information:</b>	
Product name:	CRK 4-20/2 U-W-A-AUUV
Product No.:	41Z97068
EAN:	5700394552608
	5700394552608
<b>Technical:</b>	
Actual calculated flow:	25.1 US gpm
Resulting head of the pump:	68.68 ft
Stages:	2
Impellers:	2
Primary shaft seal:	AUUV
Approvals on motor nameplate:	UL Recognized Component, CSA
Curve tolerance:	ISO 9906:1999 Annex A
Pump Number:	41920062
Pump version:	U
<b>Materials:</b>	
Pump head:	Cast iron
	EN-JL1030
	ASTM A48-30 B
Impeller:	Stainless steel
	DIN W.-Nr. 1.4301
	AISI 304
Material code:	A
<b>Installation:</b>	
Maximum ambient temperature:	104 °F
Pipe connection:	1 1/4" NPT
Flange size for motor:	56C
Connect code:	W
<b>Liquid:</b>	
Pumped liquid:	Water
Liquid temperature range:	32 .. 194 °F
Selected liquid temperature:	68 °F
Density:	62.29 lb/ft³
<b>Electrical data:</b>	
Motor type:	Baldor, TEFC
Rated power - P2:	0.75 HP
KVA code:	K
Main frequency:	60 Hz
Rated voltage:	1 x 115/208-230 V
Service factor:	1.25
Rated current:	9.6/5-4.8 A
Starting current:	56/31-28 A
Load current:	11.4/6-5.7 A
Cos phi - power factor:	0.74
Rated speed:	3450 rpm
Motor efficiency at full load:	66 %
Number of poles:	2
Insulation class (IEC 85):	B
Motor protection:	CONTACT
Thermal protec:	internal
Motor Number:	85700003
<b>Others:</b>	
Sales region:	Namreg
Country of origin:	US





**Company name:** PFC Equipment

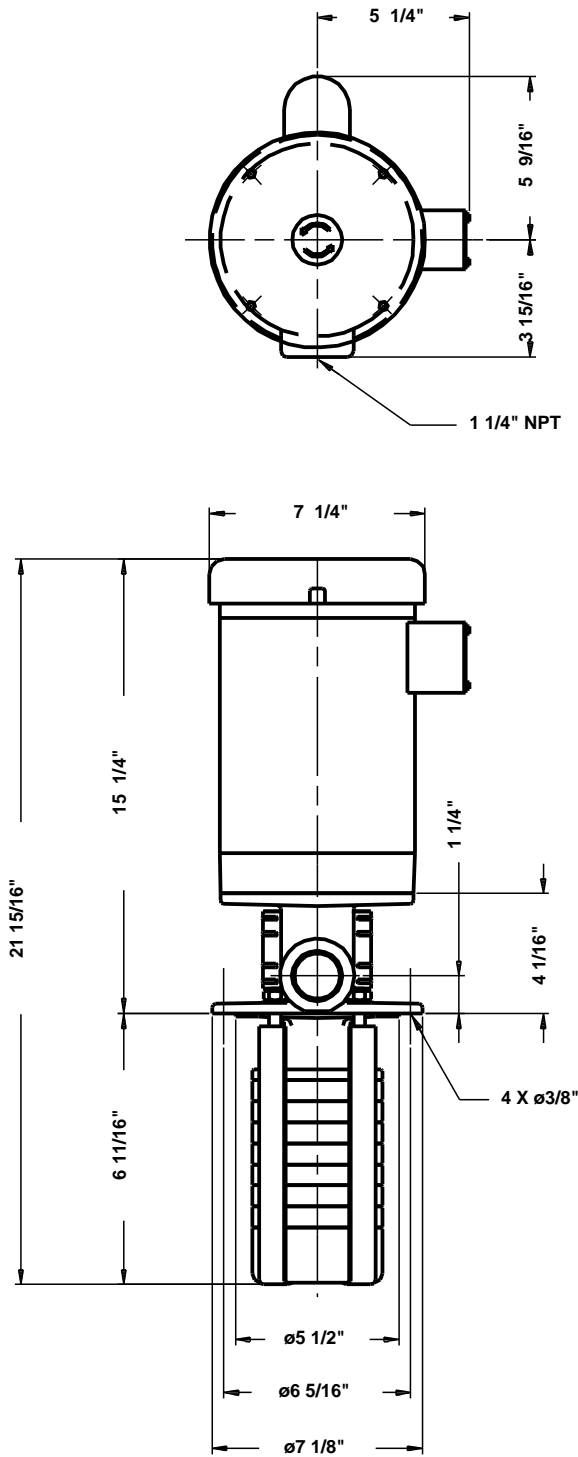
**Created by:**

**Phone:**

**Date:** 4/16/2020

Description	Value
Custom tariff no.:	8413.70.2040

## 41Z97068 CRK 4-20/2 U-W-A-AUUV 60 Hz



Note! All units are in [in] unless otherwise stated.  
Disclaimer: This simplified dimensional drawing does not show all details.