

PROJECT: _____	UNIT TAG: _____	QUANTITY: _____
REPRESENTATIVE: _____	TYPE OF SERVICE: _____	DATE: _____
ENGINEER: _____	SUBMITTED BY: _____	DATE: _____
CONTRACTOR: _____	APPROVED BY: _____	DATE: _____
	ORDER NO.: _____	DATE: _____

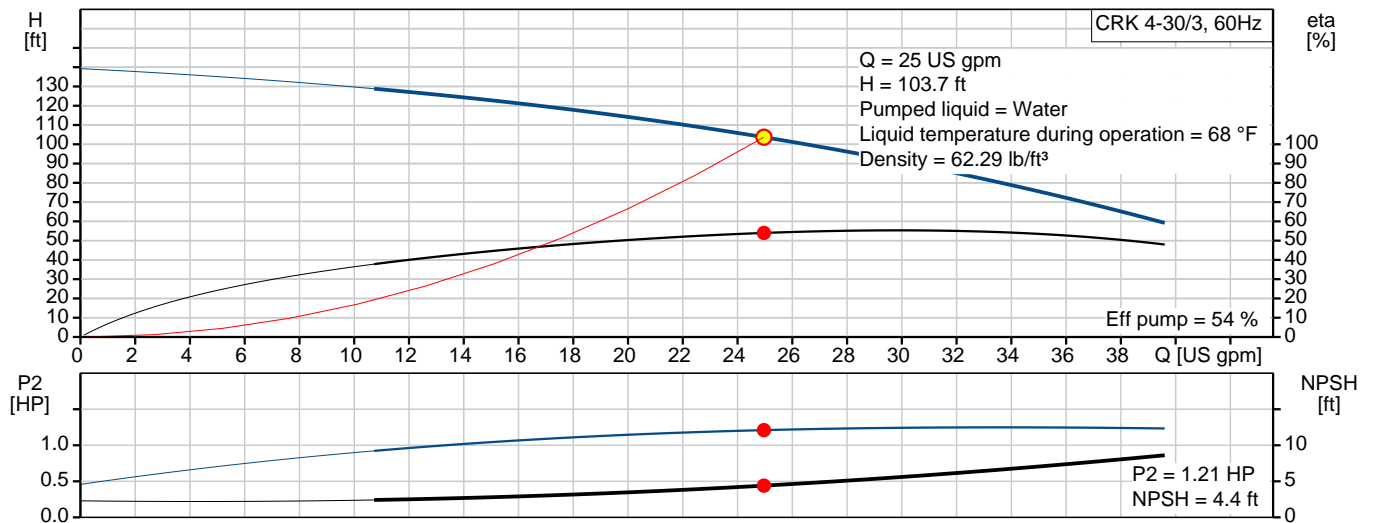


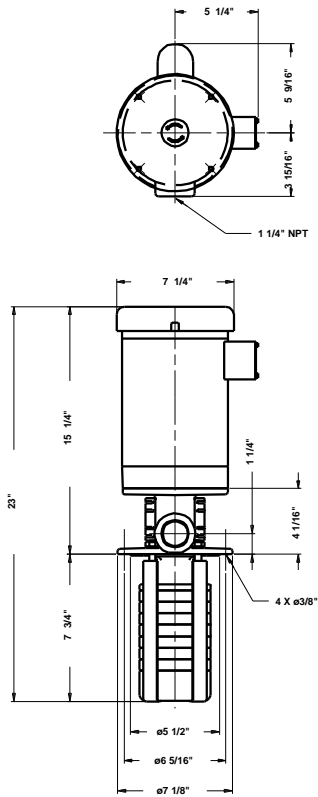
CRK 4-30/3 U-W-A-AUUV

Coolant and condensate pumps

Product photo could vary from the actual product

Conditions of Service		Pump Data		Motor Data	
Flow:	25 US gpm	Liquid temperature range:	32 .. 194 °F	Rated power - P2:	1.5 HP
Head:	103.7 ft	Maximum ambient temperature:	104 °F	Rated voltage:	115/208-230 V
Efficiency:	_____	Approvals motor:	UL Recognized Component, CSA	Main frequency:	60 Hz
Liquid:	Water	Shaft seal:	AUUV	Insulation class:	B
Temperature:	68 °F	Pipe connection:	1 1/4" NPT	Motor protection:	CONTACT
NPSH required:	4.4 ft	Product number:	41Z97069	Thermal protection:	internal
Viscosity:	_____			Motor type:	Baldor, TEFC
Specific Gravity:	1.000			Motor_efficiency:	71 %





Materials:

Pump head: Cast iron
 EN-JL1030
 ASTM A48-30 B

Impeller: Stainless steel
 DIN W.-Nr. 1.4301
 AISI 304

Material code: A

Count	Description
-------	-------------

1	CRK 4-30/3 U-W-A-AUUV
---	------------------------------



Product photo could vary from the actual product

Product No.: [41Z97069](#)

Multistage, immersible, self-priming, centrifugal pump for vertical installation in tanks etc.

The pump has the following characteristics:

- Installation length according to DIN 5440.
- Impellers, intermediate chambers and spline shaft are made of Stainless steel.
- Mechanical shaft seal according to DIN 24960.
- Power transmission via cast iron split coupling.

The motor is a 1-phase AC motor.

Liquid:

Pumped liquid:	Water
Liquid temperature range:	32 .. 194 °F
Selected liquid temperature:	68 °F
Density:	62.29 lb/ft ³

Technical:

Actual calculated flow:	25 US gpm
Resulting head of the pump:	103.7 ft
Primary shaft seal:	AUUV
Approvals on motor nameplate:	UL Recognized Component, CSA
Curve tolerance:	ISO 9906:1999 Annex A

Materials:

Pump head:	Cast iron EN-JL1030 ASTM A48-30 B
Impeller:	Stainless steel DIN W.-Nr. 1.4301 AISI 304



Company name: PFC Equipment

Created by:

Phone:

Date: 4/16/2020

Count	Description
	<p>Installation: Maximum ambient temperature: 104 °F Pipe connection: 1 1/4" NPT Flange size for motor: 56C</p> <p>Electrical data: Motor type: Baldor, TEFC Rated power - P2: 1.5 HP Main frequency: 60 Hz Rated voltage: 1 x 115/208-230 V Service factor: 1.3 Rated current: 17/9.5-8.6 A Starting current: 79.8/43.8-39.9 A Cos phi - power factor: 0.79 Rated speed: 3450 rpm Motor efficiency at full load: 71 % Number of poles: 2 Insulation class (IEC 85): B Motor Number: 85700005</p> <p>Others: Country of origin: US Custom tariff no.: 8413.70.2040</p>



Company name: PFC Equipment

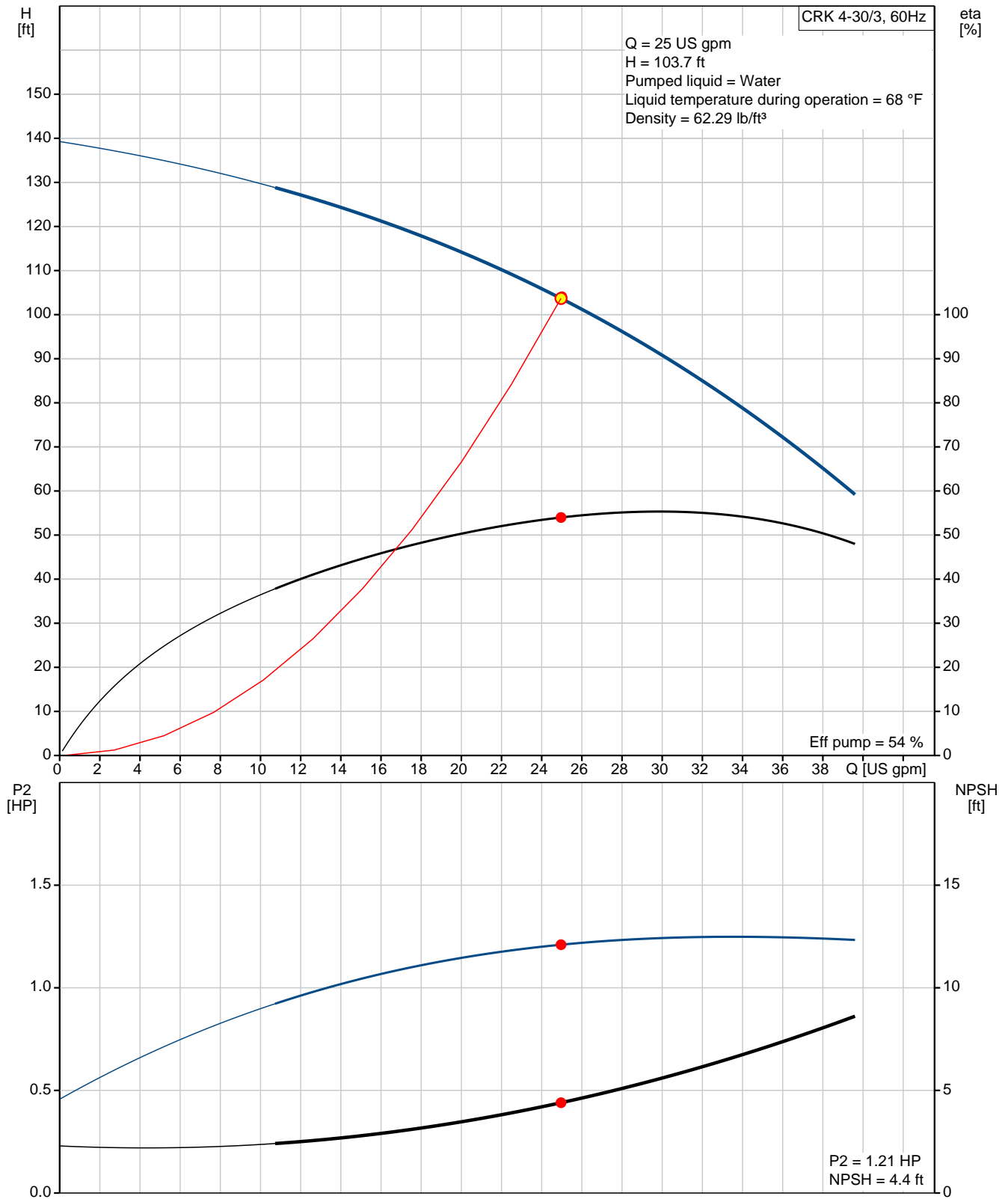
Created by:

Phone:

Date:

4/16/2020

41Z97069 CRK 4-30/3 U-W-A-AUUV 60 Hz





Company name: PFC Equipment

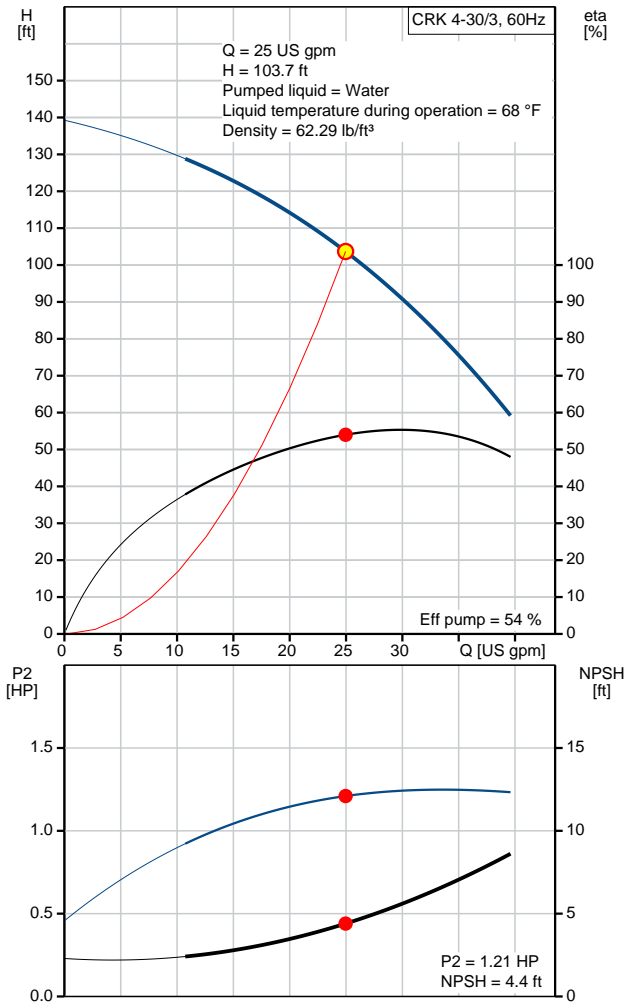
Created by:

Phone:

Date:

4/16/2020

Description	Value
General information:	
Product name:	CRK 4-30/3 U-W-A-AUUV
Product No.:	41Z97069
EAN:	5700394552615
	5700394552615
Technical:	
Actual calculated flow:	25 US gpm
Resulting head of the pump:	103.7 ft
Stages:	3
Impellers:	3
Primary shaft seal:	AUUV
Approvals on motor nameplate:	UL Recognized Component, CSA
Curve tolerance:	ISO 9906:1999 Annex A
Pump Number:	41920063
Pump version:	U
Materials:	
Pump head:	Cast iron
	EN-JL1030
	ASTM A48-30 B
Impeller:	Stainless steel
	DIN W.-Nr. 1.4301
	AISI 304
Material code:	A
Installation:	
Maximum ambient temperature:	104 °F
Pipe connection:	1 1/4" NPT
Flange size for motor:	56C
Connect code:	W
Liquid:	
Pumped liquid:	Water
Liquid temperature range:	32 .. 194 °F
Selected liquid temperature:	68 °F
Density:	62.29 lb/ft³
Electrical data:	
Motor type:	Baldor, TEFC
Rated power - P2:	1.5 HP
KVA code:	K
Main frequency:	60 Hz
Rated voltage:	1 x 115/208-230 V
Service factor:	1.3
Rated current:	17/9.5-8.6 A
Starting current:	79.8/43.8-39.9 A
Load current:	20.4/11.3-10.2 A
Cos phi - power factor:	0.79
Rated speed:	3450 rpm
Motor efficiency at full load:	71 %
Number of poles:	2
Insulation class (IEC 85):	B
Motor protection:	CONTACT
Thermal protec:	internal
Motor Number:	85700005
Others:	
Sales region:	Namreg
Country of origin:	US





Company name: PFC Equipment

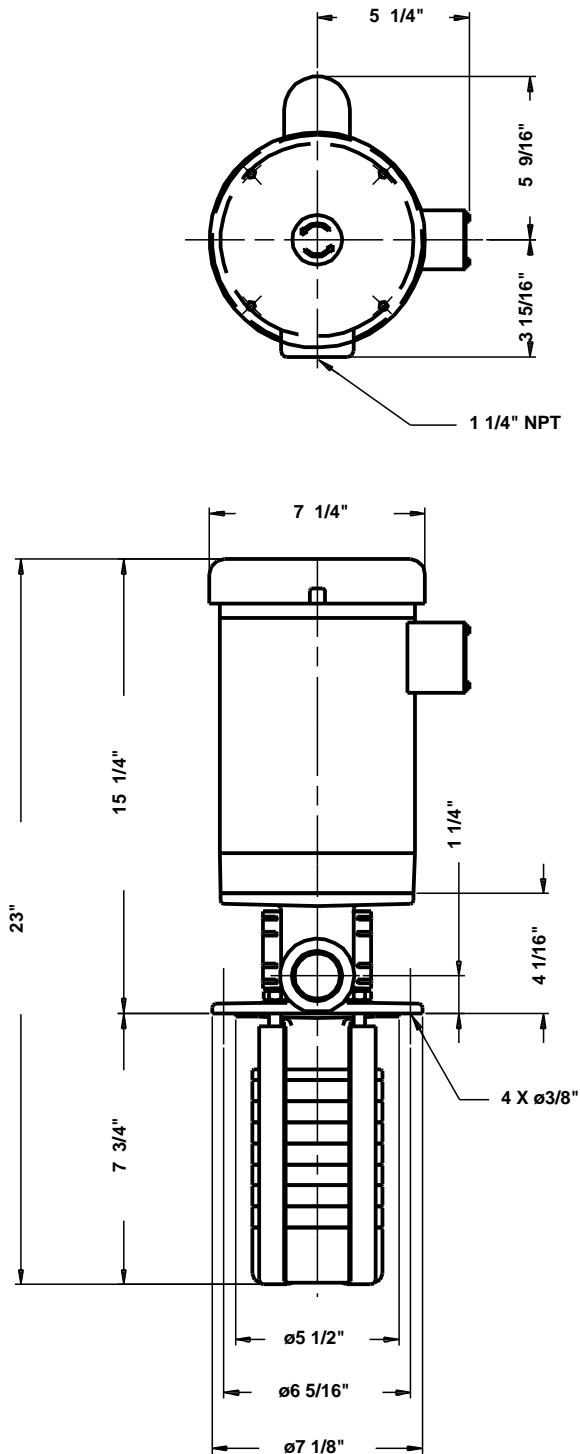
Created by:

Phone:

Date: 4/16/2020

Description	Value
Custom tariff no.:	8413.70.2040

41Z97069 CRK 4-30/3 U-W-A-AUUV 60 Hz



Note! All units are in [in] unless otherwise stated.
Disclaimer: This simplified dimensional drawing does not show all details.