

PROJECT: _____	UNIT TAG: _____	QUANTITY: _____
REPRESENTATIVE: _____	TYPE OF SERVICE: _____	DATE: _____
ENGINEER: _____	SUBMITTED BY: _____	DATE: _____
CONTRACTOR: _____	APPROVED BY: _____	DATE: _____
	ORDER NO.: _____	DATE: _____

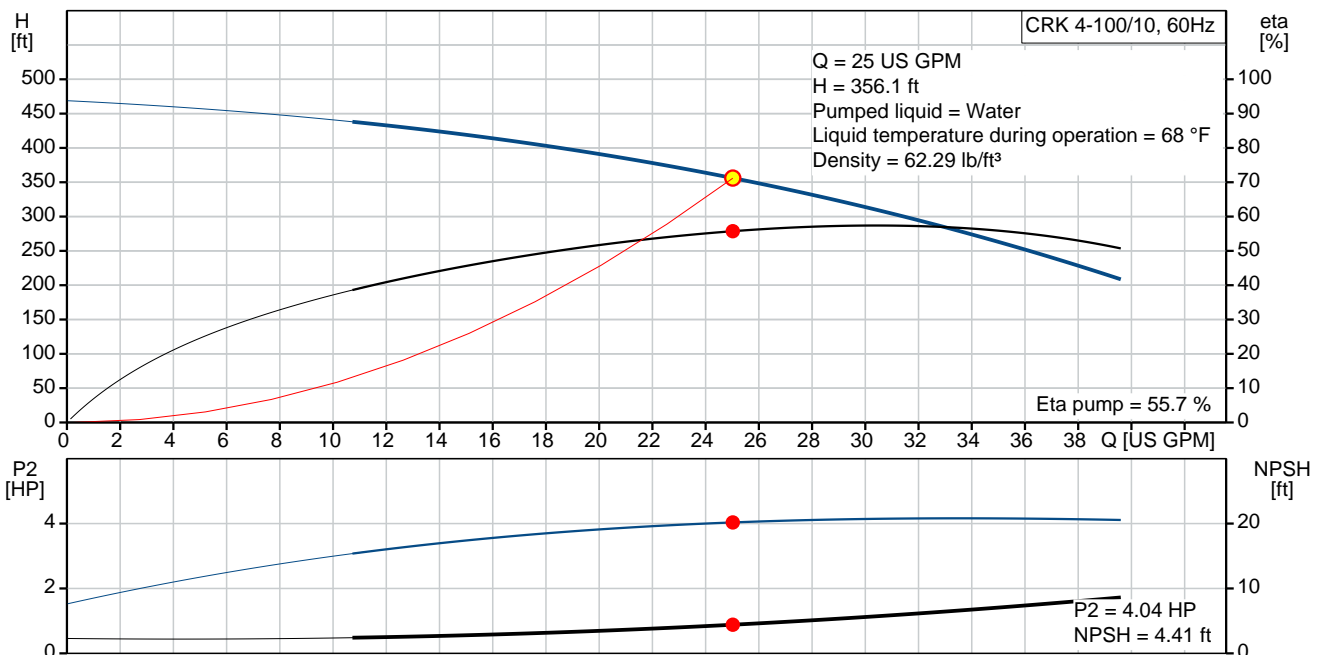


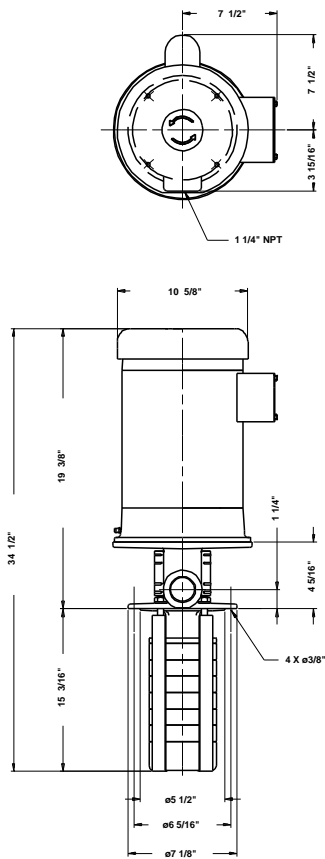
### CRK 4-100/10 U-W-A-AUUV

Coolant pumps

Note! Product picture may differ from actual product

Conditions of Service	Pump Data	Motor Data
Flow: 25 US GPM	Liquid temperature range: 32 .. 194 °F	Rated power - P2: 5 HP
Head: 356.1 ft	Maximum ambient temperature: 104 °F	Rated voltage: 230 V
Efficiency: _____	Approvals motor: UL Recognized Component, CSA	Mains frequency: 60 Hz
Liquid: Water	Shaft seal: AUUV	Insulation class: F
Temperature: 68 °F	Pipe connection: 1 1/4" NPT	Motor protection: CONTACT
NPSH required: 4.41 ft	Product number: 41Z97076	Thermal protection: internal
Viscosity: _____		Motor type: Baldor, TEFC
Specific Gravity: 1.000		Motor_efficiency: 80 %





**Materials:**

Pump head: Cast iron  
 EN-JL1030  
 ASTM A48-30 B

Impeller: Stainless steel  
 DIN W.-Nr. 1.4301  
 AISI 304

Material code: A

**Qty. Description**

1 CRK 4-100/10 U-W-A-AUUV



Note! Product picture may differ from actual product

Product No.: [41Z97076](#)

Multistage, immersible, self-priming, centrifugal pump for vertical installation in tanks etc.

The pump has the following characteristics:

- Installation length according to DIN 5440.
- Impellers, intermediate chambers and spline shaft are made of Stainless steel.
- Mechanical shaft seal according to EN 12756.
- Power transmission via cast iron split coupling.

The motor is a 1-phase AC motor.

Immersion depth: 15.2 in

**Liquid:**

Pumped liquid: Water  
 Liquid temperature range: 32 .. 194 °F  
 Selected liquid temperature: 68 °F  
 Density: 62.29 lb/ft<sup>3</sup>

**Technical:**

Actual calculated flow: 25 US GPM  
 Resulting head of the pump: 356.1 ft  
 Primary shaft seal: AUUV  
 Approvals on motor nameplate: UL Recognized Component, CSA  
 Curve tolerance: ISO 9906:1999 Annex A

**Materials:**

Pump head: Cast iron  
 EN-JL1030  
 ASTM A48-30 B  
 Impeller: Stainless steel  
 DIN W.-Nr. 1.4301  
 AISI 304

**Installation:**

Maximum ambient temperature: 104 °F  
 Pipe connection: 1 1/4" NPT

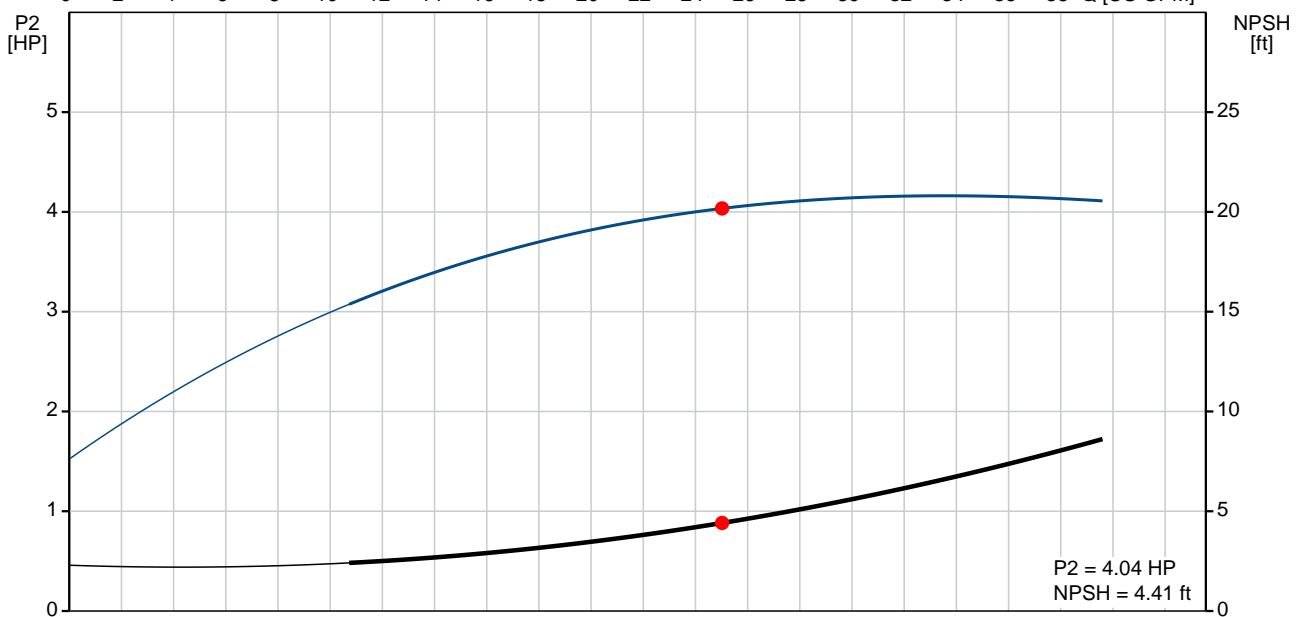
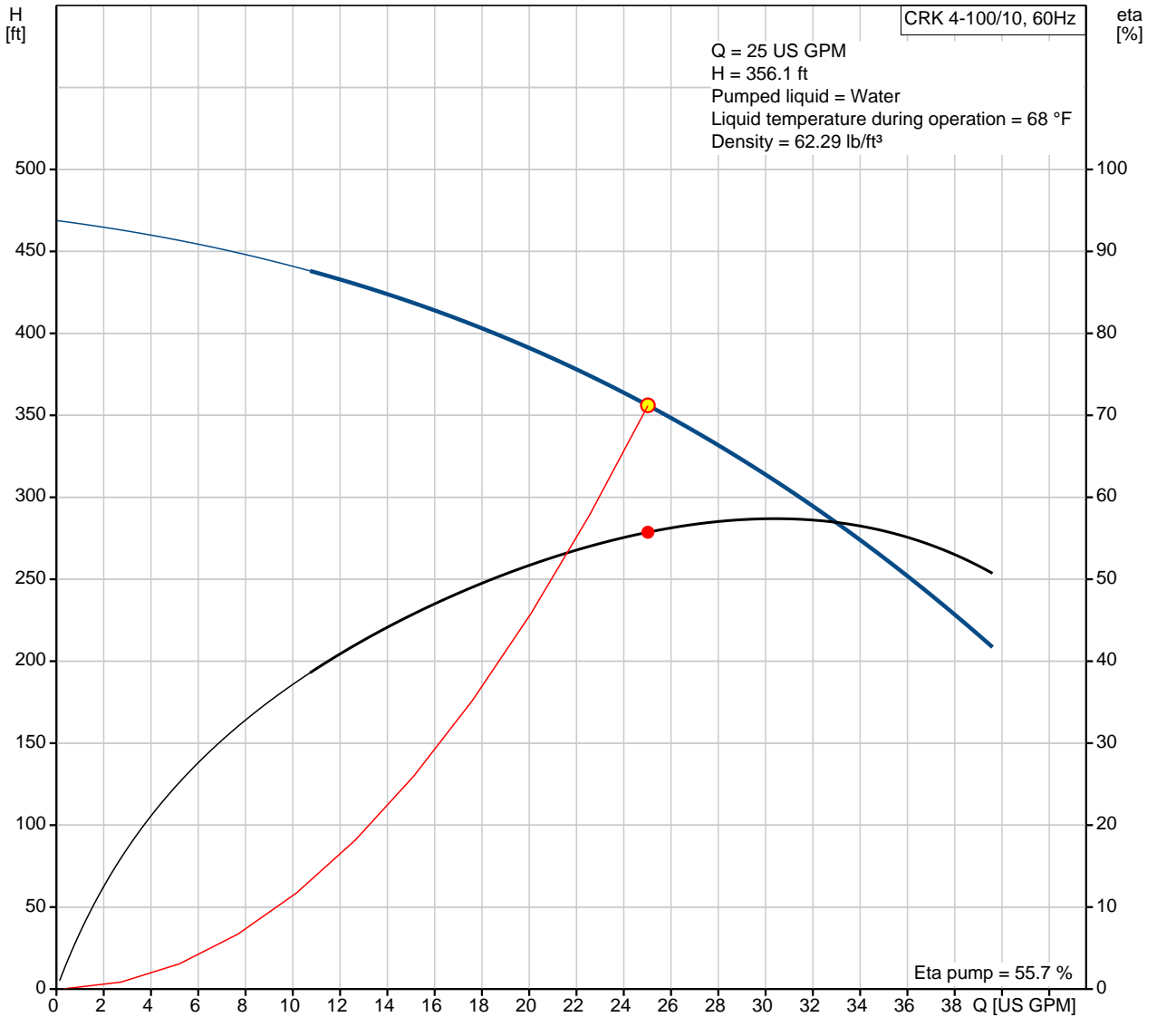
Qty.	Description
	<p data-bbox="199 340 646 369">Flange size for motor: 213TC</p> <p data-bbox="199 398 383 427"><b>Electrical data:</b></p> <p data-bbox="199 430 718 459">Motor type: Baldor, TEFC</p> <p data-bbox="199 461 622 490">Rated power - P2: 5 HP</p> <p data-bbox="199 492 630 521">Mains frequency: 60 Hz</p> <p data-bbox="199 524 670 553">Rated voltage: 1 x 230 V</p> <p data-bbox="199 555 614 584">Service factor: 1.15</p> <p data-bbox="199 586 614 616">Rated current: 22 A</p> <p data-bbox="199 618 630 647">Starting current: 170 A</p> <p data-bbox="199 649 614 678">Cos phi - power factor: 0.89</p> <p data-bbox="199 680 670 710">Rated speed: 3450 rpm</p> <p data-bbox="199 712 622 741">Motor efficiency at full load: 80 %</p> <p data-bbox="199 743 582 772">Insulation class (IEC 85): F</p> <p data-bbox="199 775 678 804">Motor No: 85700012</p> <p data-bbox="199 833 295 862"><b>Others:</b></p> <p data-bbox="199 864 598 893">Country of origin: US</p> <p data-bbox="199 896 718 925">Custom tariff no.: 8413.70.2040</p>



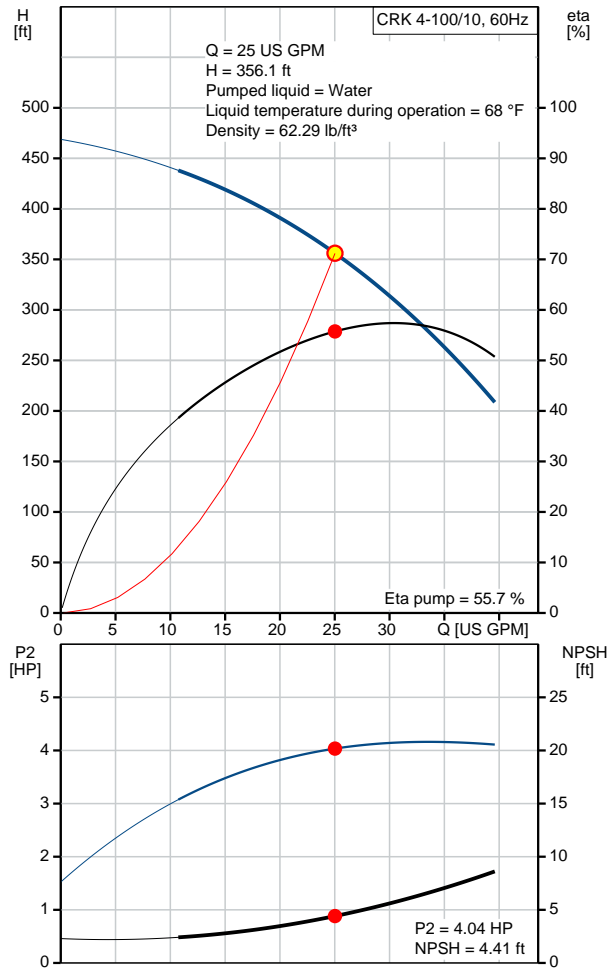
Company name:  
Created by:  
Phone:

Date: 15/04/2020

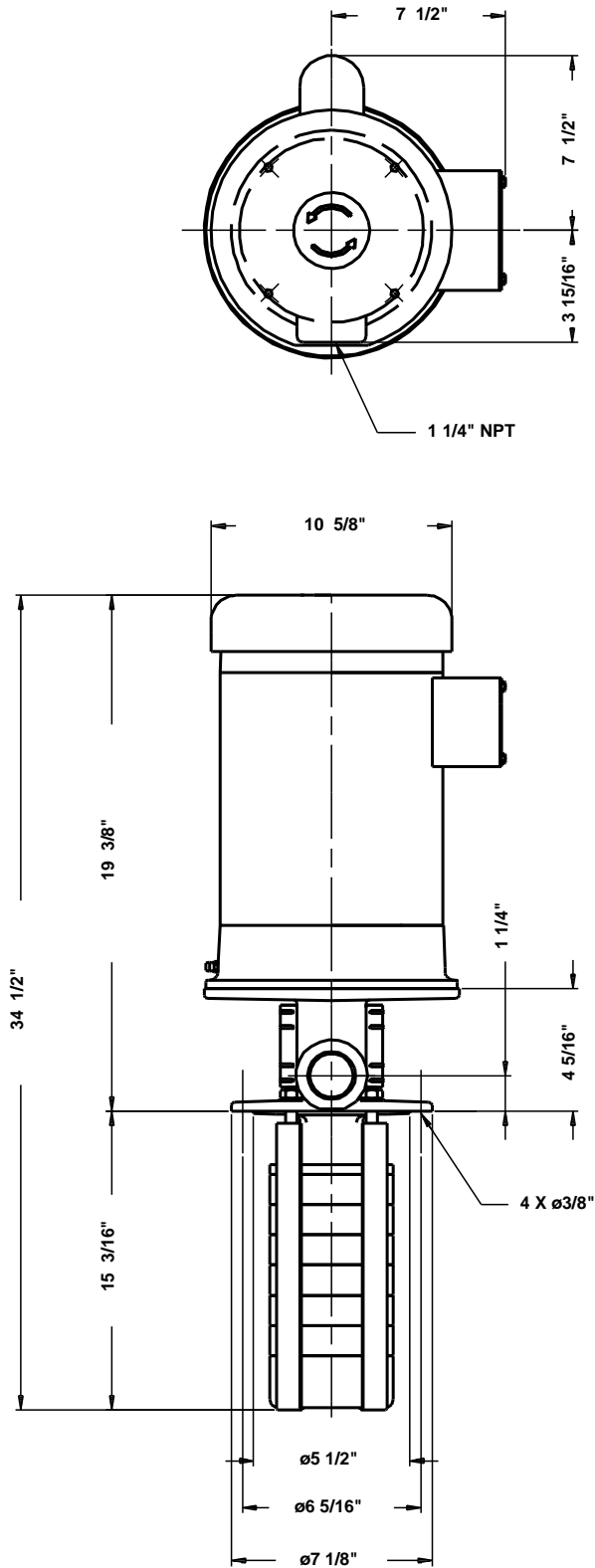
### 41Z97076 CRK 4-100/10 U-W-A-AUUV 60 Hz



Description	Value
<b>General information:</b>	
Product name:	CRK 4-100/10 U-W-A-AUUV
Product No:	41297076
EAN number:	5700394552677
	5700394552677
<b>Technical:</b>	
Actual calculated flow:	25 US GPM
Resulting head of the pump:	356.1 ft
Stages:	10
Impellers:	10
Primary shaft seal:	AUUV
Approvals on motor nameplate:	UL Recognized Component, CSA
Curve tolerance:	ISO 9906:1999 Annex A
Pump No:	41920070
Pump version:	U
<b>Materials:</b>	
Pump head:	Cast iron
	EN-JL1030
	ASTM A48-30 B
Impeller:	Stainless steel
	DIN W.-Nr. 1.4301
	AISI 304
Material code:	A
<b>Installation:</b>	
Maximum ambient temperature:	104 °F
Pipe connection:	1 1/4" NPT
Flange size for motor:	213TC
Connect code:	W
<b>Liquid:</b>	
Pumped liquid:	Water
Liquid temperature range:	32 .. 194 °F
Selected liquid temperature:	68 °F
Density:	62.29 lb/ft³
<b>Electrical data:</b>	
Motor type:	Baldor, TEFC
Rated power - P2:	5 HP
KVA code:	J
Mains frequency:	60 Hz
Rated voltage:	1 x 230 V
Service factor:	1.15
Rated current:	22 A
Starting current:	170 A
Load current:	25 A
Cos phi - power factor:	0.89
Rated speed:	3450 rpm
Motor efficiency at full load:	80 %
Insulation class (IEC 85):	F
Motor protec:	CONTACT
Thermal protec:	internal
Motor No:	85700012
<b>Others:</b>	
Sales region:	Namreg
Country of origin:	US
Custom tariff no.:	8413.70.2040



## 41Z97076 CRK 4-100/10 U-W-A-AUUV 60 Hz



Note! All units are in [in] unless others are stated.  
Disclaimer: This simplified dimensional drawing does not show all details.