

PROJECT: _____	UNIT TAG: _____	QUANTITY: _____
REPRESENTATIVE: _____	TYPE OF SERVICE: _____	DATE: _____
ENGINEER: _____	SUBMITTED BY: _____	DATE: _____
CONTRACTOR: _____	APPROVED BY: _____	DATE: _____
	ORDER NO.: _____	DATE: _____

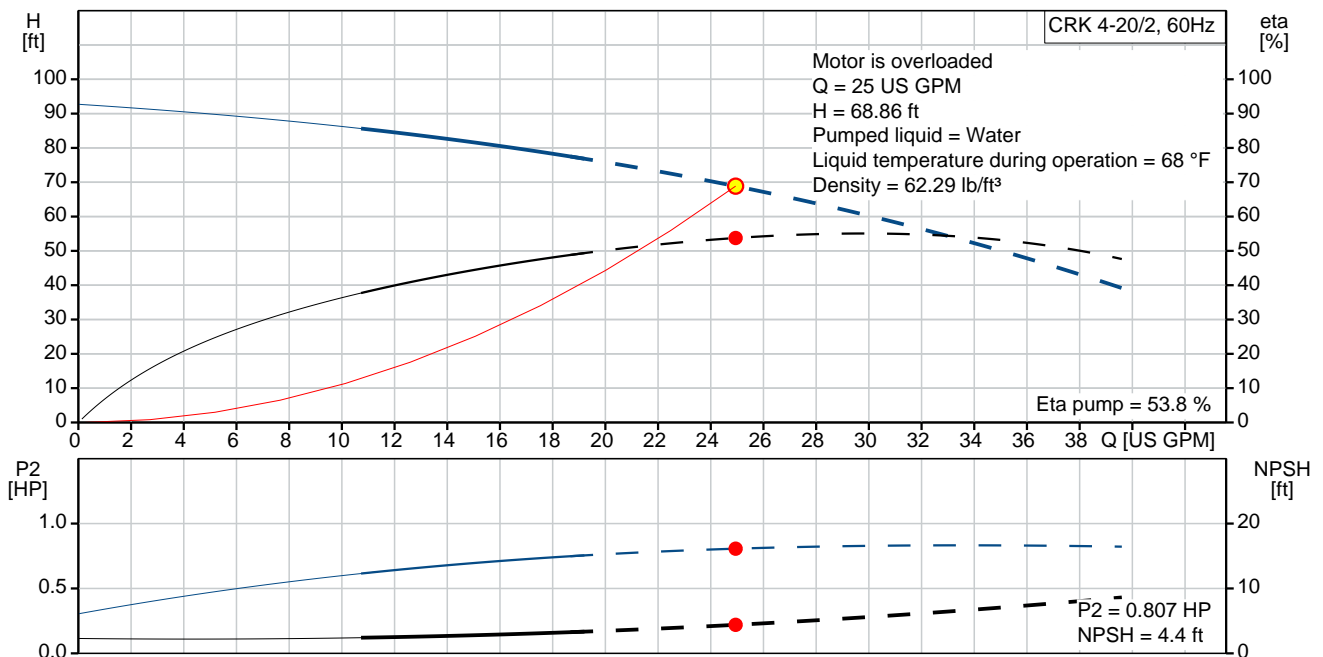


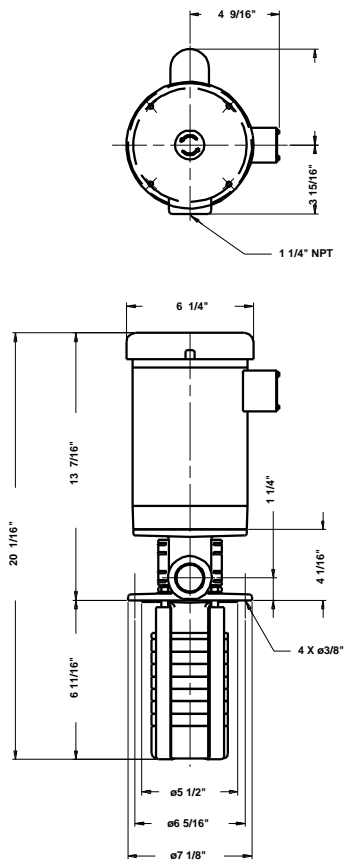
CRK 4-20/2 U-W-A-AUUV

Coolant pumps

Note! Product picture may differ from actual product

Conditions of Service	Pump Data	Motor Data
Flow: 25 US GPM	Liquid temperature range: 32 .. 194 °F	Rated power - P2: 0.75 HP
Head: 68.86 ft	Maximum ambient temperature: 104 °F	Rated voltage: 208-230/460 V
Efficiency: _____	Approvals motor: UL Recognized Component, CSA	Mains frequency: 60 Hz
Liquid: Water	Shaft seal: AUUV	Insulation class: B
Temperature: 68 °F	Pipe connection: 1 1/4" NPT	Motor protection: NONE
NPSH required: 4.4 ft	Product number: 41Z97101	Motor type: Baldor, TEFC
Viscosity: _____		Motor_efficiency: 74 %
Specific Gravity: 1.000		





Materials:

Pump head: Cast iron
 EN-JL1030
 ASTM A48-30 B

Impeller: Stainless steel
 DIN W.-Nr. 1.4301
 AISI 304

Material code: A

Qty. Description

1 CRK 4-20/2 U-W-A-AUUV



Note! Product picture may differ from actual product

Product No.: [41Z97101](#)

Multistage, immersible, self-priming, centrifugal pump for vertical installation in tanks etc.

The pump has the following characteristics:

- Installation length according to DIN 5440.
- Impellers, intermediate chambers and spline shaft are made of Stainless steel.
- Mechanical shaft seal according to EN 12756.
- Power transmission via cast iron split coupling.

The motor is a 3-phase AC motor.

Immersion depth: 6.65 in

Liquid:

Pumped liquid: Water
 Liquid temperature range: 32 .. 194 °F
 Selected liquid temperature: 68 °F
 Density: 62.29 lb/ft³

Technical:

Actual calculated flow: 25 US GPM
 Resulting head of the pump: 68.86 ft
 Primary shaft seal: AUUV
 Approvals on motor nameplate: UL Recognized Component, CSA
 Curve tolerance: ISO 9906:1999 Annex A

Materials:

Pump head: Cast iron
 EN-JL1030
 ASTM A48-30 B
 Impeller: Stainless steel
 DIN W.-Nr. 1.4301
 AISI 304

Installation:

Maximum ambient temperature: 104 °F
 Pipe connection: 1 1/4" NPT

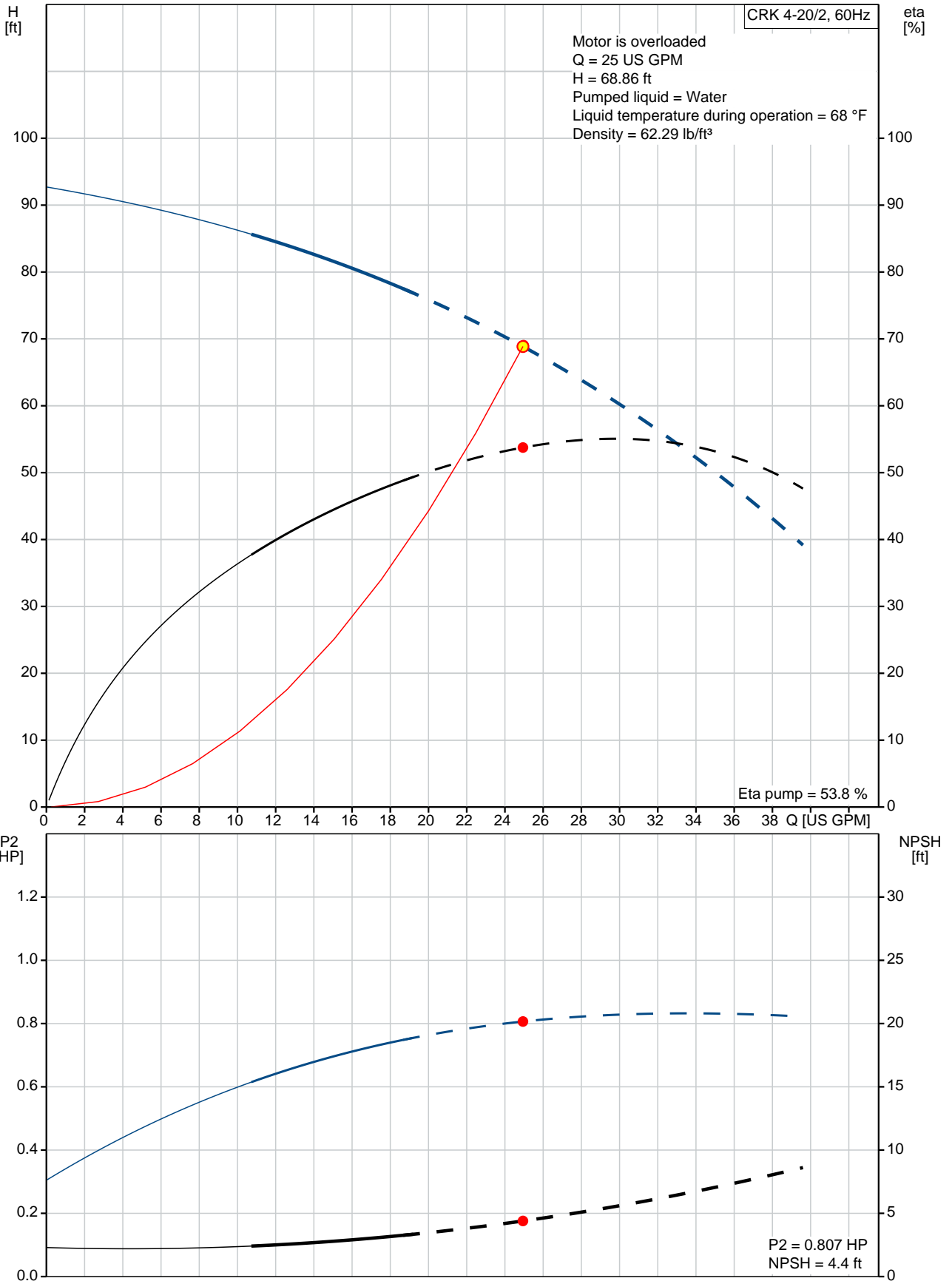
Qty.	Description
	Flange size for motor: 56C
	Electrical data:
	Motor type: Baldor, TEFC
	Rated power - P2: 0.75 HP
	Mains frequency: 60 Hz
	Rated voltage: 3 x 208-230/460 V
	Service factor: 1.25
	Rated current: 2.7-2.6/1.3 A
	Starting current: 16.8-15.2/7.6 A
	Cos phi - power factor: 0.73
	Rated speed: 3450 rpm
	Motor efficiency at full load: 74 %
	Number of poles: 2
	Insulation class (IEC 85): B
	Motor No: 85600003
	Others:
	Country of origin: US
	Custom tariff no.: 8413.70.2040



Company name:
Created by:
Phone:

Date: 15/04/2020

41Z97101 CRK 4-20/2 U-W-A-AUUV 60 Hz



Description	Value
-------------	-------

General information:

Product name:	CRK 4-20/2 U-W-A-AUUV
Product No:	41Z97101
EAN number:	5700394552707
	5700394552707

Technical:

Actual calculated flow:	25 US GPM
Resulting head of the pump:	68.86 ft
Stages:	2
Impellers:	2
Primary shaft seal:	AUUV
Approvals on motor nameplate:	UL Recognized Component, CSA
Curve tolerance:	ISO 9906:1999 Annex A
Pump No:	41920062
Pump version:	U

Materials:

Pump head:	Cast iron
	EN-JL1030
	ASTM A48-30 B
Impeller:	Stainless steel
	DIN W.-Nr. 1.4301
	AISI 304

Material code:

A

Installation:

Maximum ambient temperature:	104 °F
Pipe connection:	1 1/4" NPT
Flange size for motor:	56C
Connect code:	W

Liquid:

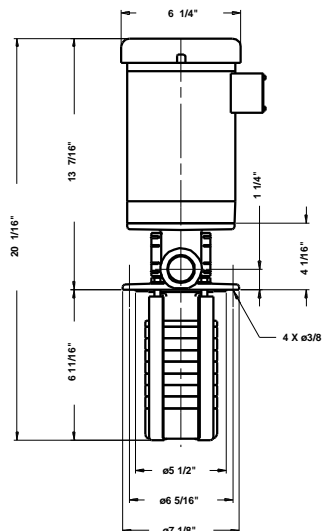
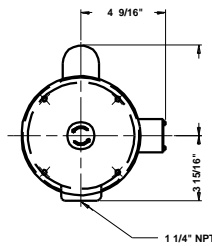
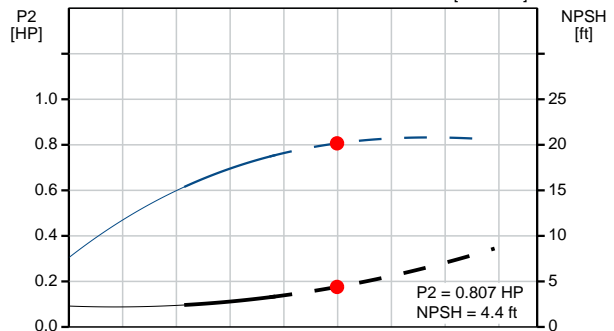
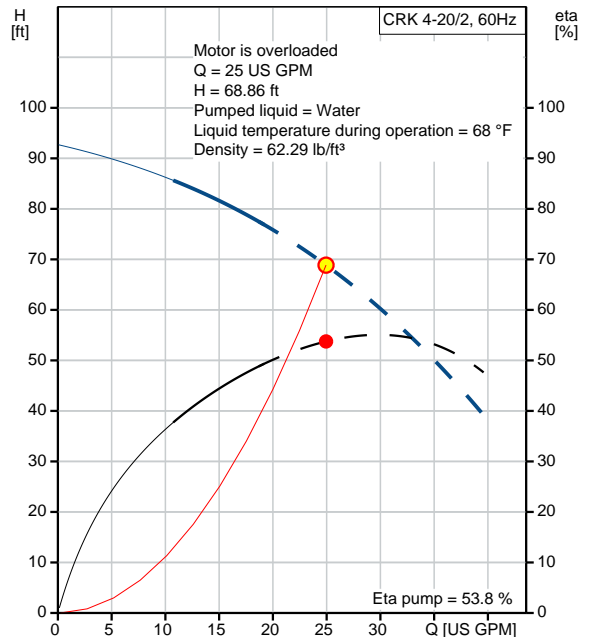
Pumped liquid:	Water
Liquid temperature range:	32 .. 194 °F
Selected liquid temperature:	68 °F
Density:	62.29 lb/ft³

Electrical data:

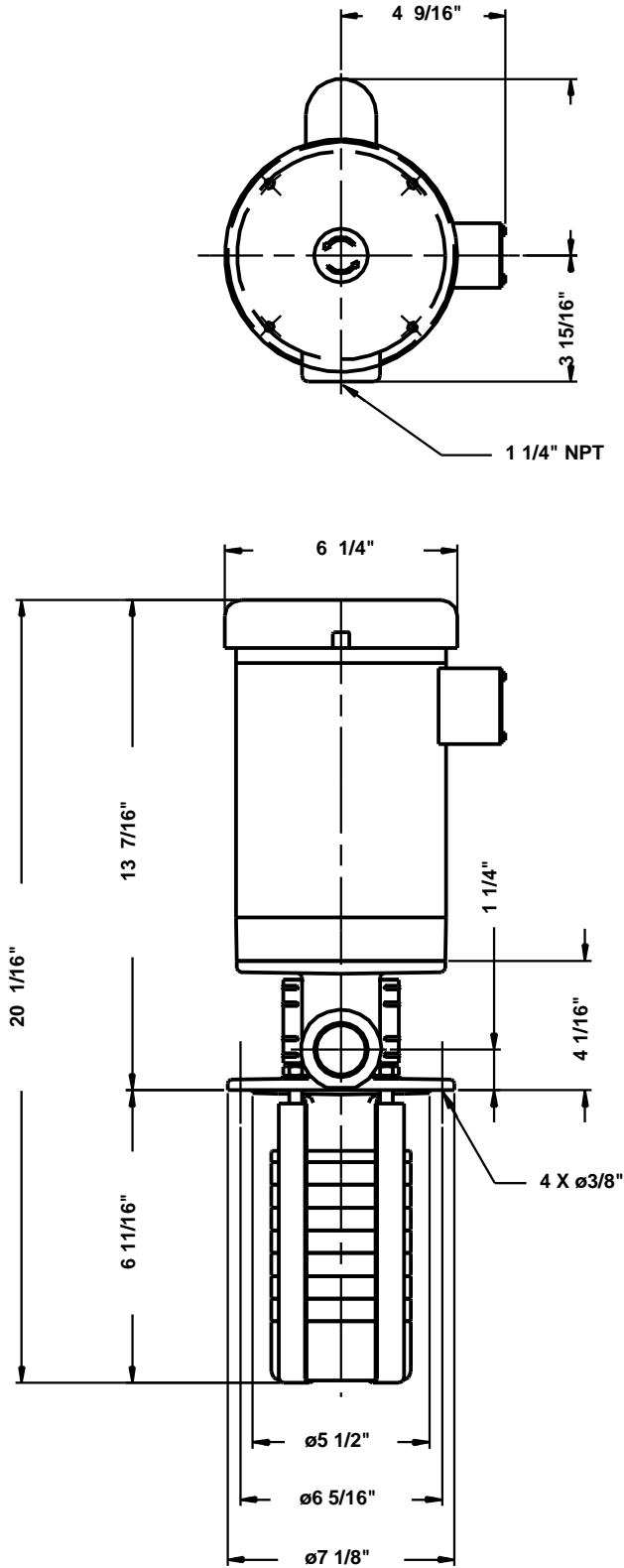
Motor type:	Baldor, TEFC
Rated power - P2:	0.75 HP
KVA code:	K
Mains frequency:	60 Hz
Rated voltage:	3 x 208-230/460 V
Service factor:	1.25
Rated current:	2.7-2.6/1.3 A
Starting current:	16.8-15.2/7.6 A
Load current:	3.1-3/1.5 A
Cos phi - power factor:	0.73
Rated speed:	3450 rpm
Motor efficiency at full load:	74 %
Number of poles:	2
Insulation class (IEC 85):	B
Motor protec:	NONE
Motor No:	85600003

Others:

Sales region:	Namreg
Country of origin:	US
Custom tariff no.:	8413.70.2040



41Z97101 CRK 4-20/2 U-W-A-AUUV 60 Hz



Note! All units are in [in] unless others are stated.
Disclaimer: This simplified dimensional drawing does not show all details.