

PROJECT: _____	UNIT TAG: _____	QUANTITY: _____
REPRESENTATIVE: _____	TYPE OF SERVICE: _____	DATE: _____
ENGINEER: _____	SUBMITTED BY: _____	DATE: _____
CONTRACTOR: _____	APPROVED BY: _____	DATE: _____
	ORDER NO.: _____	DATE: _____

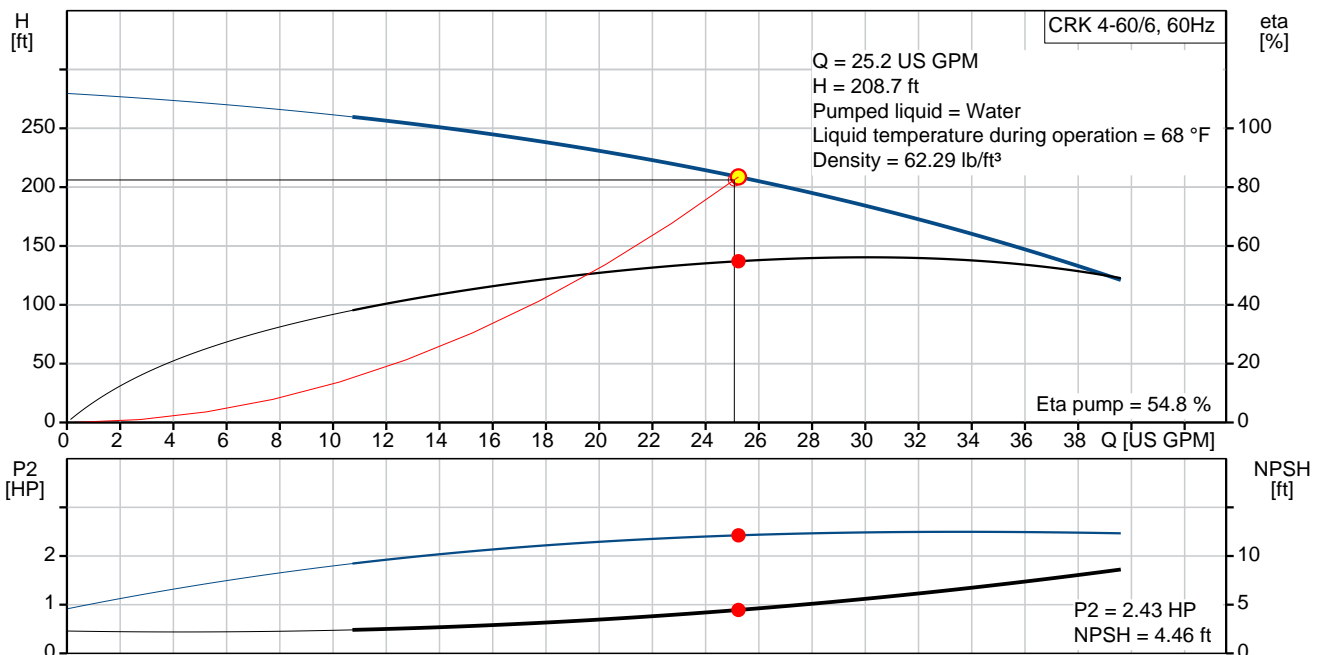


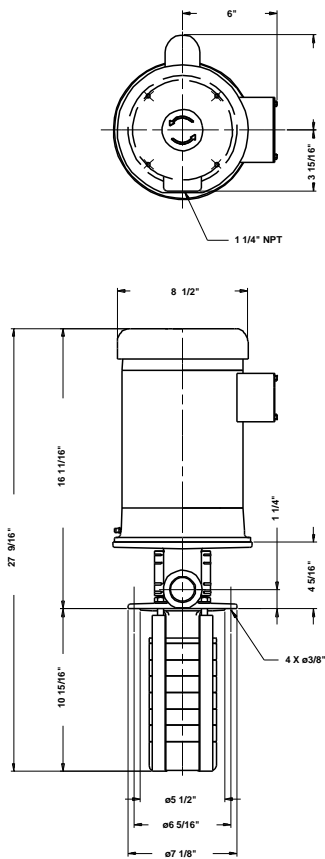
CRK 4-60/6 U-W-A-AUUV

Coolant pumps

Note! Product picture may differ from actual product

Conditions of Service	Pump Data	Motor Data
Flow: 25.2 US GPM	Liquid temperature range: 32 .. 194 °F	Rated power - P2: 3 HP
Head: 208.7 ft	Maximum ambient temperature: 104 °F	Rated voltage: 208-230/460 V
Efficiency: _____	Approvals motor: UL Recognized Component, CSA	Mains frequency: 60 Hz
Liquid: Water	Shaft seal: AUUV	Insulation class: F
Temperature: 68 °F	Pipe connection: 1 1/4" NPT	Motor protection: NONE
NPSH required: 4.46 ft	Product number: 41Z97105	Motor type: Baldor, TEFC
Viscosity: _____		Motor_efficiency: 81.5 %
Specific Gravity: 1.000		





Materials:

Pump head: Cast iron
 EN-JL1030
 ASTM A48-30 B

Impeller: Stainless steel
 DIN W.-Nr. 1.4301
 AISI 304

Material code: A

Qty. Description

1 CRK 4-60/6 U-W-A-AUUV



Note! Product picture may differ from actual product

Product No.: [41Z97105](#)

Multistage, immersible, self-priming, centrifugal pump for vertical installation in tanks etc.

The pump has the following characteristics:

- Installation length according to DIN 5440.
- Impellers, intermediate chambers and spline shaft are made of Stainless steel.
- Mechanical shaft seal according to EN 12756.
- Power transmission via cast iron split coupling.

The motor is a 3-phase AC motor.

Immersion depth: 10.9 in

Liquid:

Pumped liquid: Water
 Liquid temperature range: 32 .. 194 °F
 Selected liquid temperature: 68 °F
 Density: 62.29 lb/ft³

Technical:

Actual calculated flow: 25.2 US GPM
 Resulting head of the pump: 208.7 ft
 Primary shaft seal: AUUV
 Approvals on motor nameplate: UL Recognized Component, CSA
 Curve tolerance: ISO 9906:1999 Annex A

Materials:

Pump head: Cast iron
 EN-JL1030
 ASTM A48-30 B
 Impeller: Stainless steel
 DIN W.-Nr. 1.4301
 AISI 304

Installation:

Maximum ambient temperature: 104 °F
 Pipe connection: 1 1/4" NPT

Qty.	Description
	<p data-bbox="201 338 643 365">Flange size for motor: 182TC</p> <p data-bbox="201 398 379 425">Electrical data:</p> <p data-bbox="201 430 718 456">Motor type: Baldor, TEFC</p> <p data-bbox="201 461 622 488">Rated power - P2: 3 HP</p> <p data-bbox="201 492 635 519">Mains frequency: 60 Hz</p> <p data-bbox="201 524 767 551">Rated voltage: 3 x 208-230/460 V</p> <p data-bbox="201 555 616 582">Service factor: 1.15</p> <p data-bbox="201 586 710 613">Rated current: 8.2-7.8/3.9 A</p> <p data-bbox="201 618 710 645">Starting current: 77.4-70/35 A</p> <p data-bbox="201 649 616 676">Cos phi - power factor: 0.89</p> <p data-bbox="201 680 671 707">Rated speed: 3450 rpm</p> <p data-bbox="201 712 646 739">Motor efficiency at full load: 81.5 %</p> <p data-bbox="201 743 580 770">Insulation class (IEC 85): F</p> <p data-bbox="201 775 678 801">Motor No: 85600008</p> <p data-bbox="201 835 292 862">Others:</p> <p data-bbox="201 866 603 893">Country of origin: US</p> <p data-bbox="201 898 719 925">Custom tariff no.: 8413.70.2040</p>



Company name:

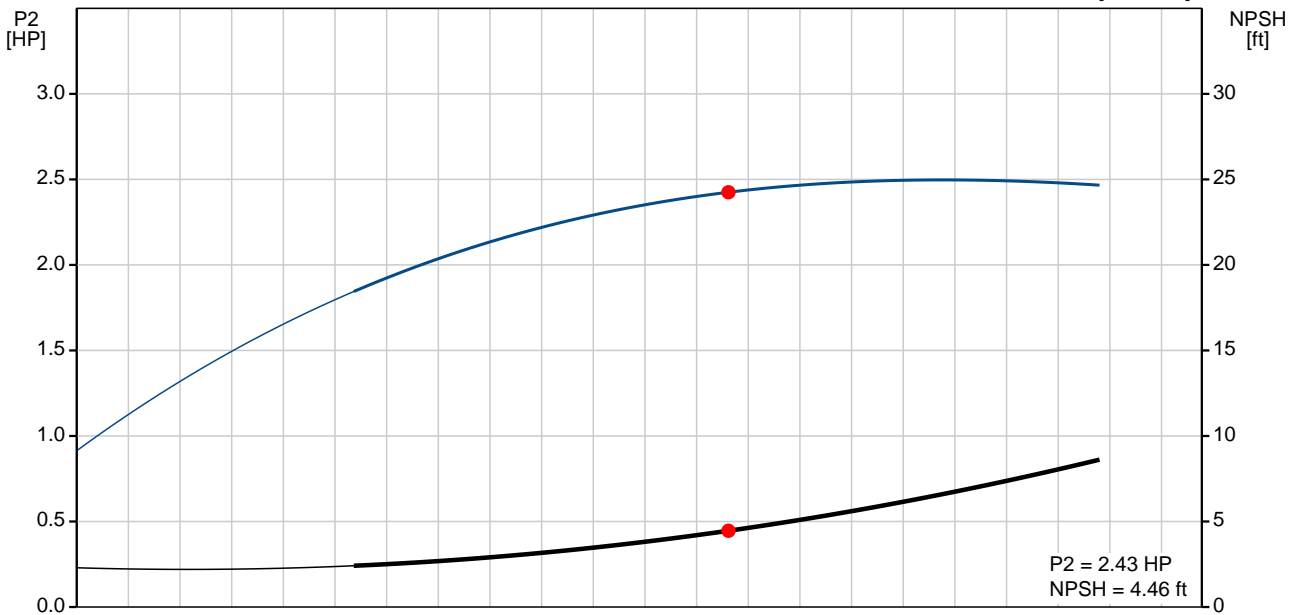
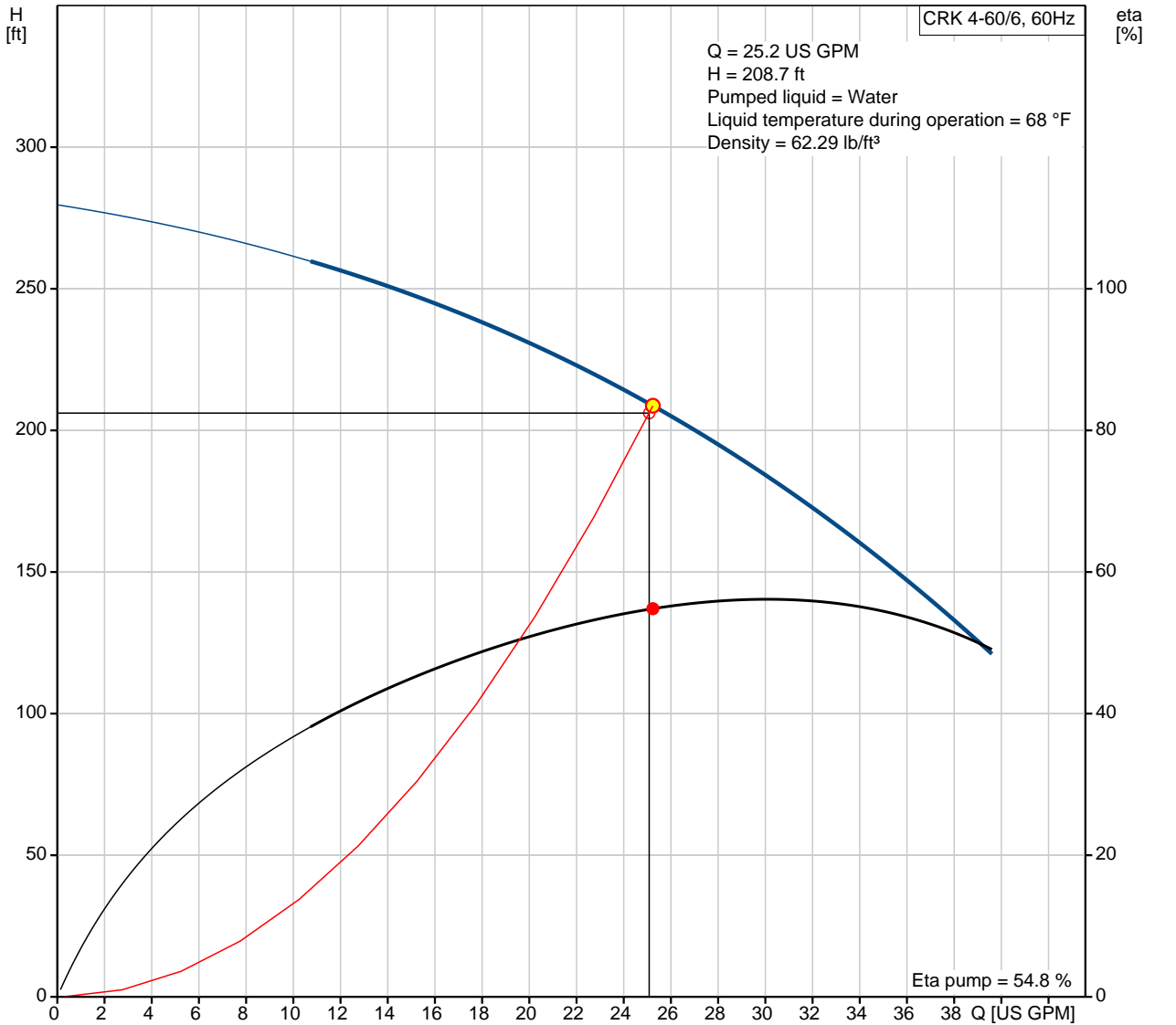
Created by:

Phone:

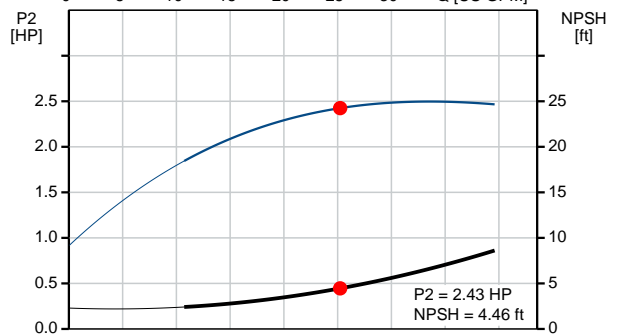
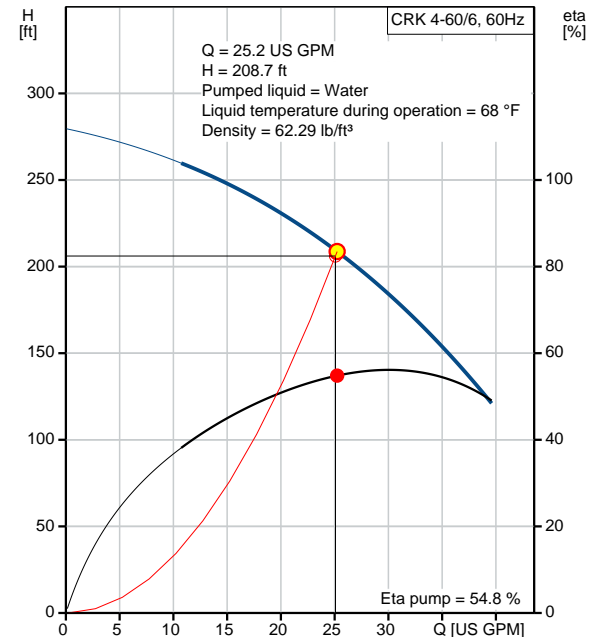
Date:

15/04/2020

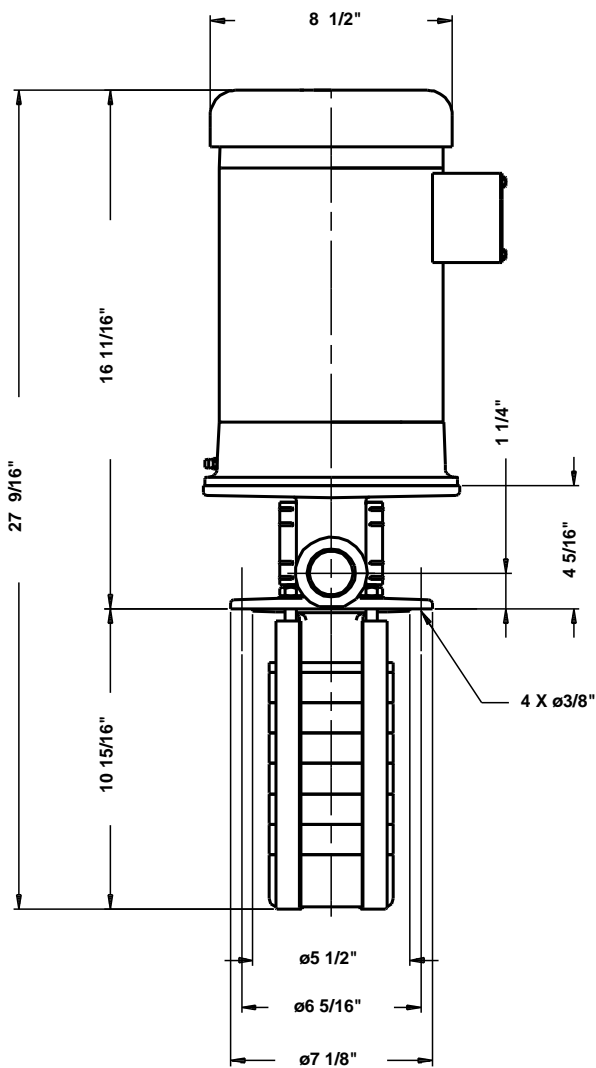
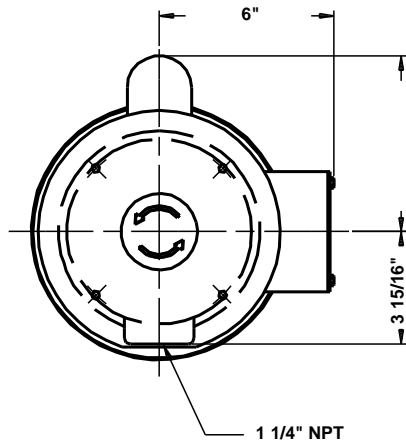
41Z97105 CRK 4-60/6 U-W-A-AUUV 60 Hz



Description	Value
General information:	
Product name:	CRK 4-60/6 U-W-A-AUUV
Product No:	41Z97105
EAN number:	5700394552745
	5700394552745
Technical:	
Actual calculated flow:	25.2 US GPM
Resulting head of the pump:	208.7 ft
Stages:	6
Impellers:	6
Primary shaft seal:	AUUV
Approvals on motor nameplate:	UL Recognized Component, CSA
Curve tolerance:	ISO 9906:1999 Annex A
Pump No:	41920066
Pump version:	U
Materials:	
Pump head:	Cast iron
	EN-JL1030
	ASTM A48-30 B
Impeller:	Stainless steel
	DIN W.-Nr. 1.4301
	AISI 304
Material code:	A
Installation:	
Maximum ambient temperature:	104 °F
Pipe connection:	1 1/4" NPT
Flange size for motor:	182TC
Connect code:	W
Liquid:	
Pumped liquid:	Water
Liquid temperature range:	32 .. 194 °F
Selected liquid temperature:	68 °F
Density:	62.29 lb/ft³
Electrical data:	
Motor type:	Baldor, TEFC
Rated power - P2:	3 HP
KVA code:	K
Mains frequency:	60 Hz
Rated voltage:	3 x 208-230/460 V
Service factor:	1.15
Rated current:	8.2-7.8/3.9 A
Starting current:	77.4-70/35 A
Load current:	9.2-8.8/4.4 A
Cos phi - power factor:	0.89
Rated speed:	3450 rpm
Motor efficiency at full load:	81.5 %
Insulation class (IEC 85):	F
Motor protec:	NONE
Motor No:	85600008
Others:	
Sales region:	Namreg
Country of origin:	US
Custom tariff no.:	8413.70.2040



41Z97105 CRK 4-60/6 U-W-A-AUUV 60 Hz



Note! All units are in [in] unless others are stated.
Disclaimer: This simplified dimensional drawing does not show all details.