

PROJECT: _____	UNIT TAG: _____	QUANTITY: _____
REPRESENTATIVE: _____	TYPE OF SERVICE: _____	DATE: _____
ENGINEER: _____	SUBMITTED BY: _____	DATE: _____
CONTRACTOR: _____	APPROVED BY: _____	DATE: _____
	ORDER NO.: _____	DATE: _____

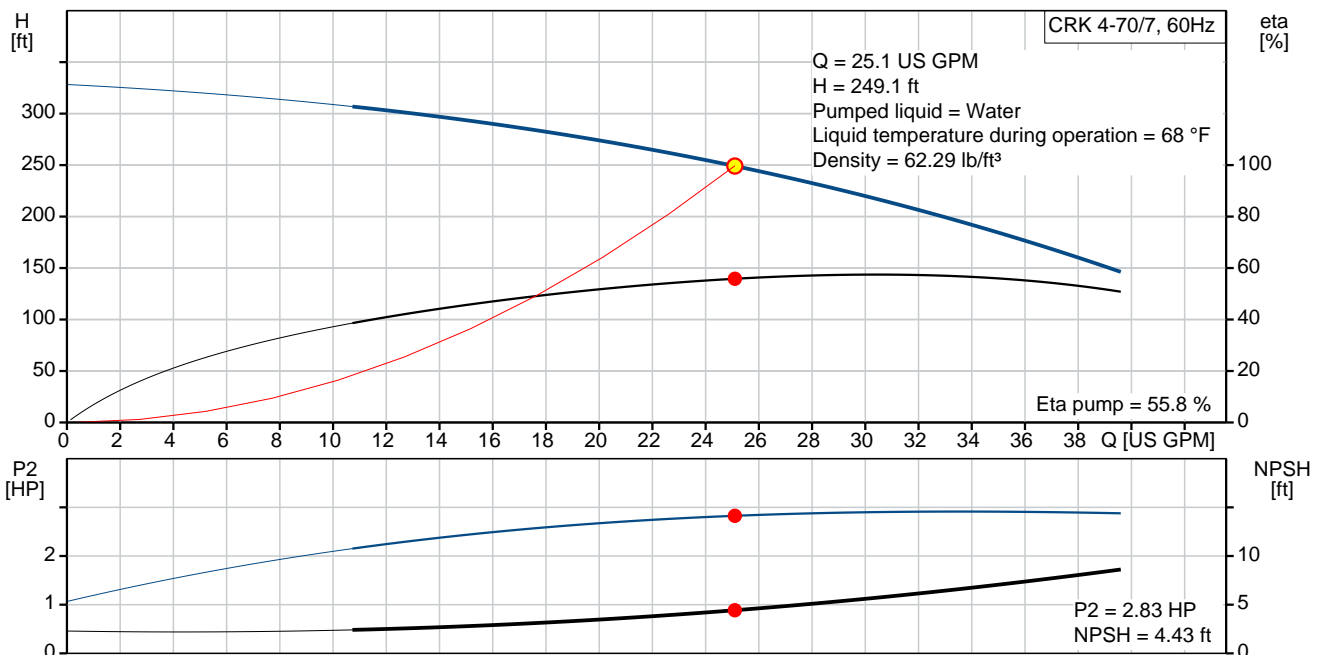


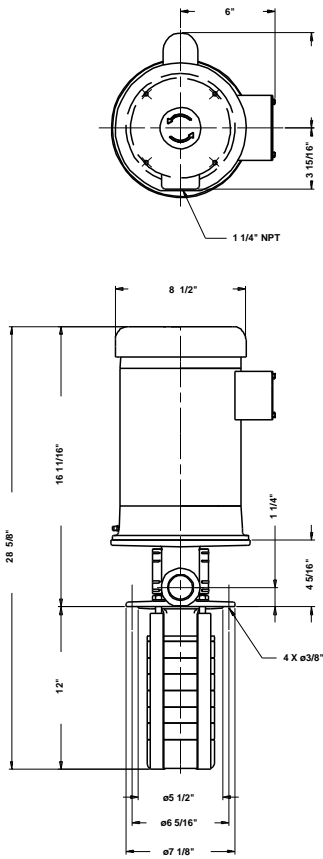
### CRK 4-70/7 U-W-A-AUUV

Coolant pumps

Note! Product picture may differ from actual product

Conditions of Service	Pump Data	Motor Data
Flow: 25.1 US GPM	Liquid temperature range: 32 .. 194 °F	Rated power - P2: 3 HP
Head: 249.1 ft	Maximum ambient temperature: 104 °F	Rated voltage: 208-230/460 V
Efficiency: _____	Approvals motor: UL Recognized Component, CSA	Mains frequency: 60 Hz
Liquid: Water	Shaft seal: AUUV	Insulation class: F
Temperature: 68 °F	Pipe connection: 1 1/4" NPT	Motor protection: NONE
NPSH required: 4.43 ft	Product number: 41Z97106	Motor type: Baldor, TEFC
Viscosity: _____		Motor_efficiency: 81.5 %
Specific Gravity: 1.000		





**Materials:**

Pump head: Cast iron  
 EN-JL1030  
 ASTM A48-30 B

Impeller: Stainless steel  
 DIN W.-Nr. 1.4301  
 AISI 304

Material code: A

**Qty. Description**

1 CRK 4-70/7 U-W-A-AUUV



Note! Product picture may differ from actual product

Product No.: [41Z97106](#)

Multistage, immersible, self-priming, centrifugal pump for vertical installation in tanks etc.

The pump has the following characteristics:

- Installation length according to DIN 5440.
- Impellers, intermediate chambers and spline shaft are made of Stainless steel.
- Mechanical shaft seal according to EN 12756.
- Power transmission via cast iron split coupling.

The motor is a 3-phase AC motor.

Immersion depth: 12 in

**Liquid:**

Pumped liquid:	Water
Liquid temperature range:	32 .. 194 °F
Selected liquid temperature:	68 °F
Density:	62.29 lb/ft <sup>3</sup>

**Technical:**

Actual calculated flow:	25.1 US GPM
Resulting head of the pump:	249.1 ft
Primary shaft seal:	AUUV
Approvals on motor nameplate:	UL Recognized Component, CSA
Curve tolerance:	ISO 9906:1999 Annex A

**Materials:**

Pump head:	Cast iron EN-JL1030 ASTM A48-30 B
Impeller:	Stainless steel DIN W.-Nr. 1.4301 AISI 304

**Installation:**

Maximum ambient temperature:	104 °F
Pipe connection:	1 1/4" NPT

Qty.	Description
	Flange size for motor: 182TC
	<b>Electrical data:</b>
	Motor type: Baldor, TEFC
	Rated power - P2: 3 HP
	Mains frequency: 60 Hz
	Rated voltage: 3 x 208-230/460 V
	Service factor: 1.15
	Rated current: 8.2-7.8/3.9 A
	Starting current: 77.4-70/35 A
	Cos phi - power factor: 0.89
	Rated speed: 3450 rpm
	Motor efficiency at full load: 81.5 %
	Insulation class (IEC 85): F
	Motor No: 85600008
	<b>Others:</b>
	Country of origin: US
	Custom tariff no.: 8413.70.2040



Company name:

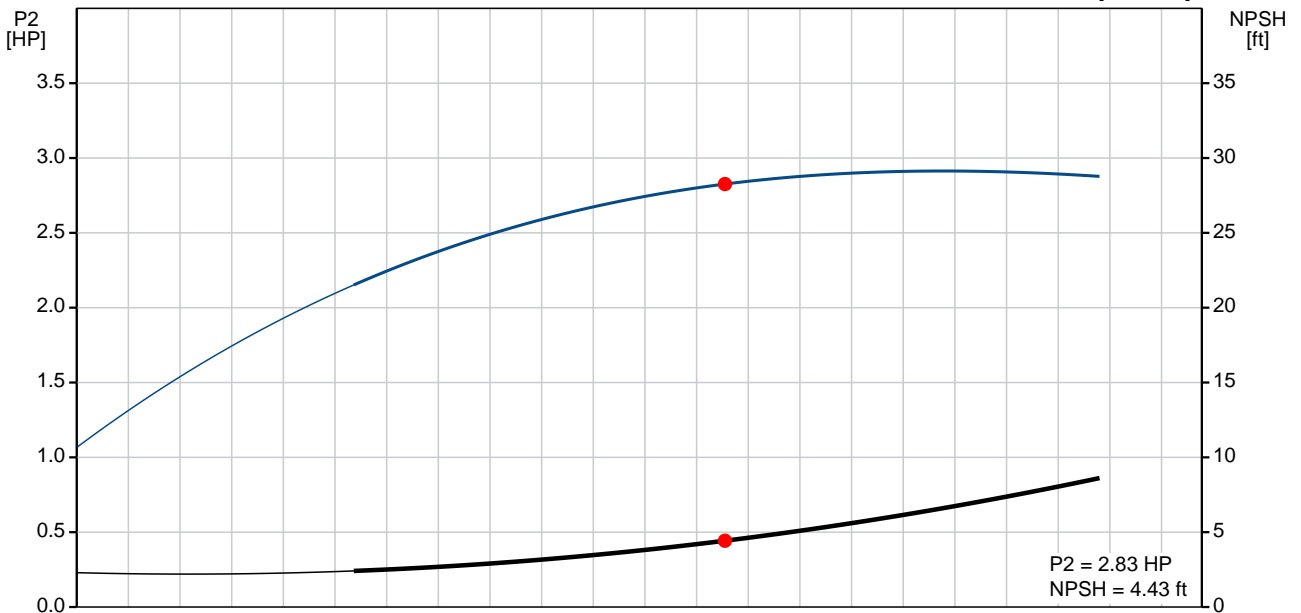
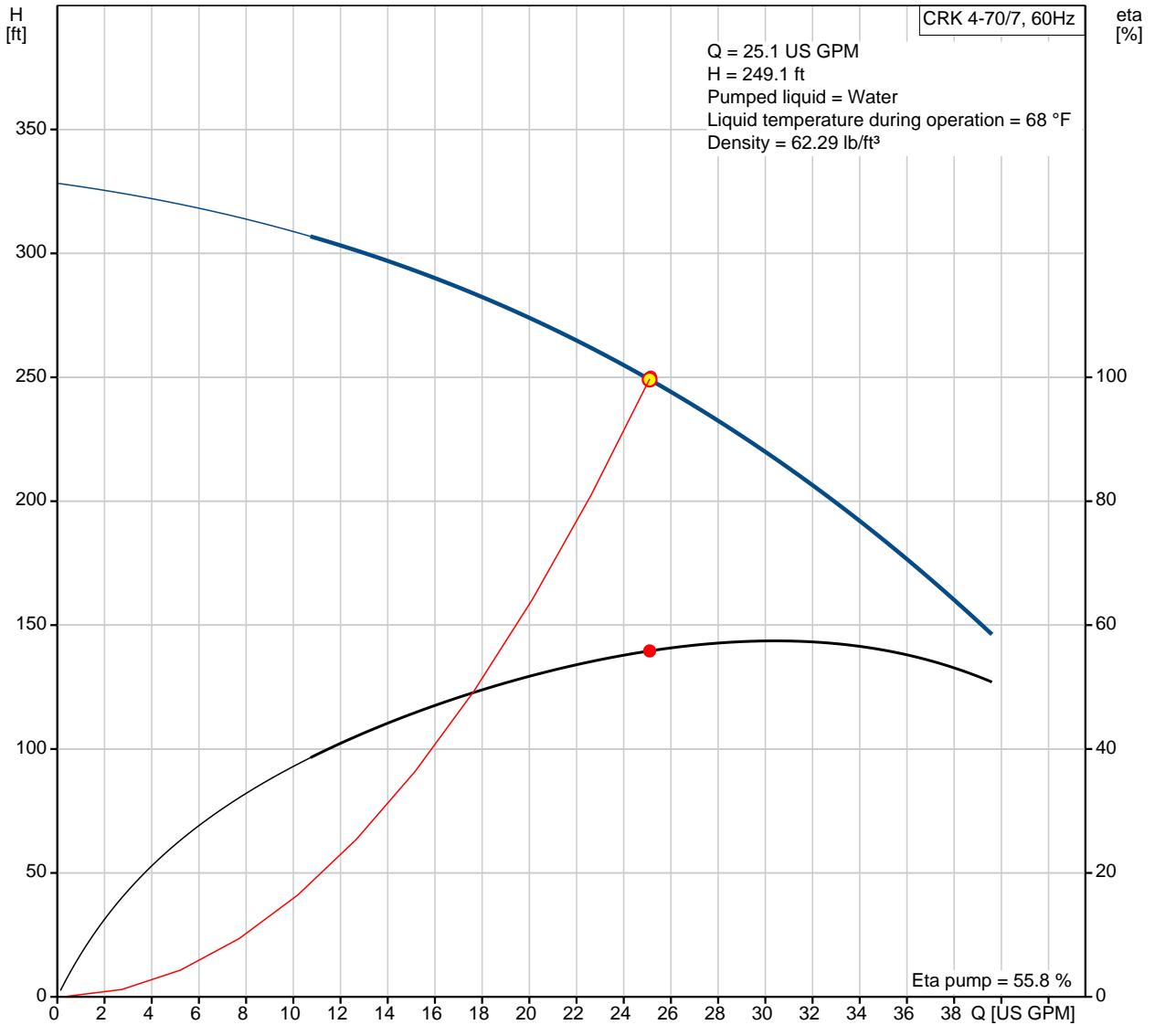
Created by:

Phone:

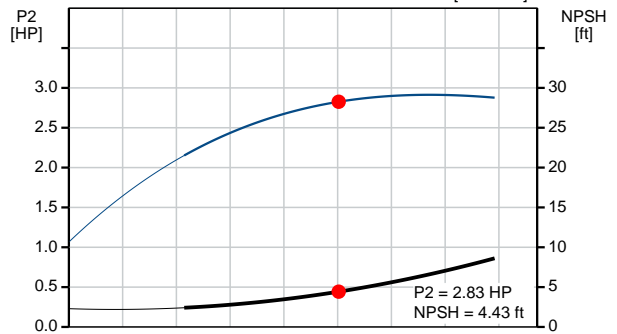
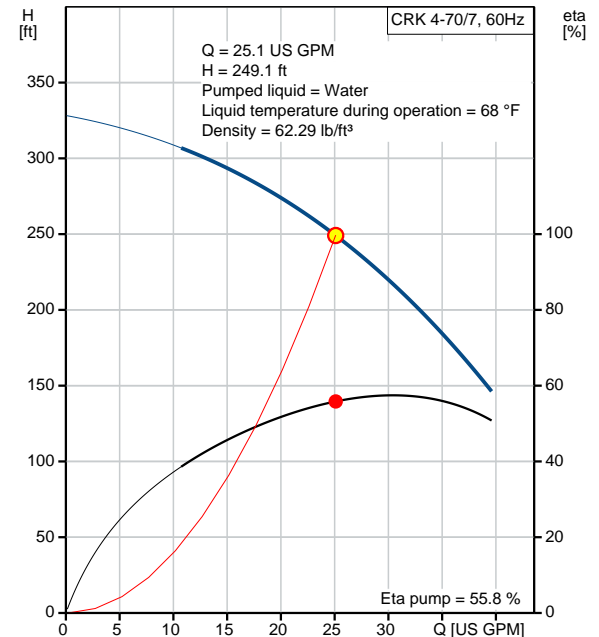
Date:

15/04/2020

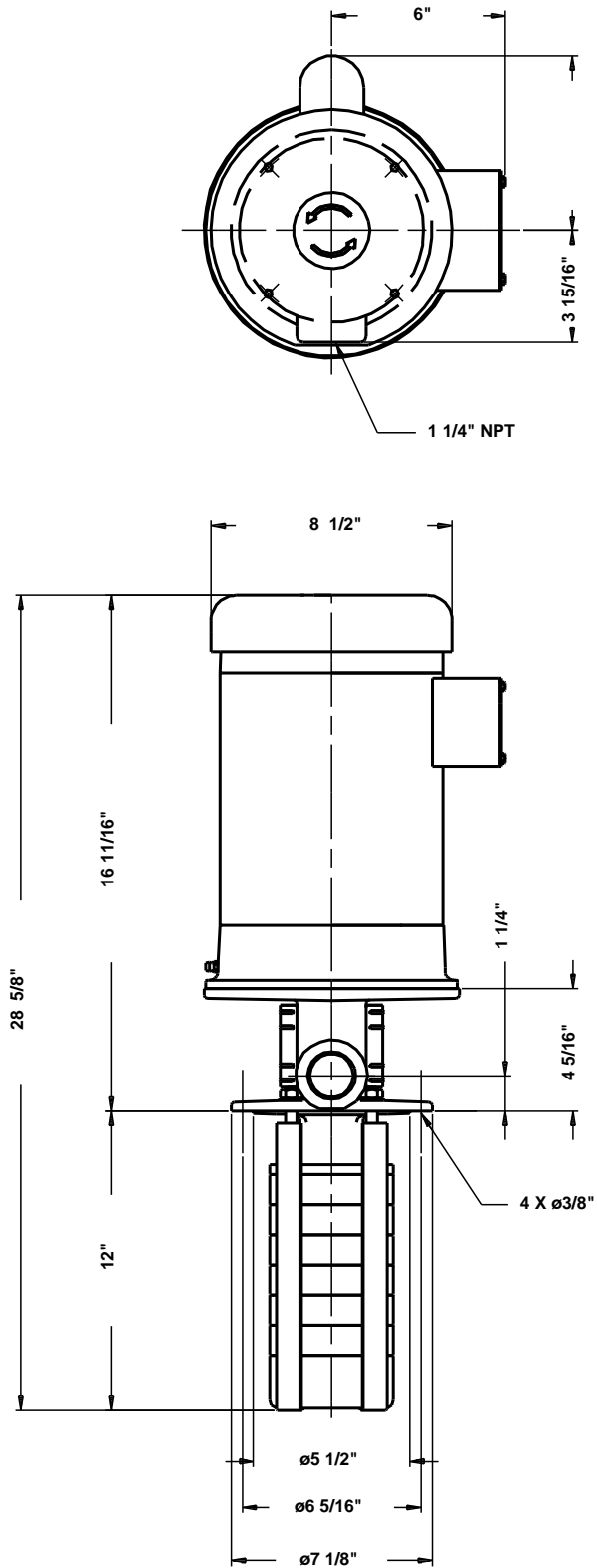
### 41Z97106 CRK 4-70/7 U-W-A-AUUV 60 Hz



Description	Value
<b>General information:</b>	
Product name:	CRK 4-70/7 U-W-A-AUUV
Product No:	41Z97106
EAN number:	5700394552752
	5700394552752
<b>Technical:</b>	
Actual calculated flow:	25.1 US GPM
Resulting head of the pump:	249.1 ft
Stages:	7
Impellers:	7
Primary shaft seal:	AUUV
Approvals on motor nameplate:	UL Recognized Component, CSA
Curve tolerance:	ISO 9906:1999 Annex A
Pump No:	41920067
Pump version:	U
<b>Materials:</b>	
Pump head:	Cast iron
	EN-JL1030
	ASTM A48-30 B
Impeller:	Stainless steel
	DIN W.-Nr. 1.4301
	AISI 304
Material code:	A
<b>Installation:</b>	
Maximum ambient temperature:	104 °F
Pipe connection:	1 1/4" NPT
Flange size for motor:	182TC
Connect code:	W
<b>Liquid:</b>	
Pumped liquid:	Water
Liquid temperature range:	32 .. 194 °F
Selected liquid temperature:	68 °F
Density:	62.29 lb/ft³
<b>Electrical data:</b>	
Motor type:	Baldor, TEFC
Rated power - P2:	3 HP
KVA code:	K
Mains frequency:	60 Hz
Rated voltage:	3 x 208-230/460 V
Service factor:	1.15
Rated current:	8.2-7.8/3.9 A
Starting current:	77.4-70/35 A
Load current:	9.2-8.8/4.4 A
Cos phi - power factor:	0.89
Rated speed:	3450 rpm
Motor efficiency at full load:	81.5 %
Insulation class (IEC 85):	F
Motor protec:	NONE
Motor No:	85600008
<b>Others:</b>	
Sales region:	Namreg
Country of origin:	US
Custom tariff no.:	8413.70.2040



## 41Z97106 CRK 4-70/7 U-W-A-AUUV 60 Hz



Note! All units are in [in] unless others are stated.  
Disclaimer: This simplified dimensional drawing does not show all details.