

PROJECT: _____	UNIT TAG: _____	QUANTITY: _____
REPRESENTATIVE: _____	TYPE OF SERVICE: _____	DATE: _____
ENGINEER: _____	SUBMITTED BY: _____	DATE: _____
CONTRACTOR: _____	APPROVED BY: _____	DATE: _____
	ORDER NO.: _____	DATE: _____

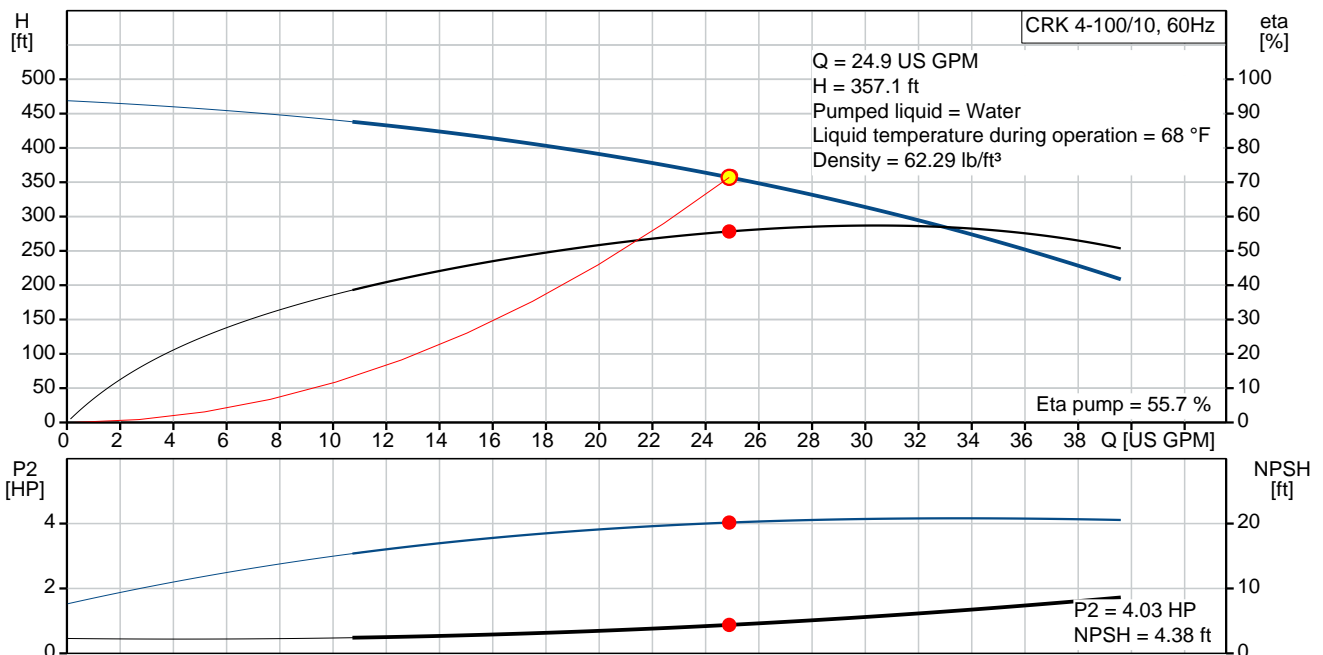


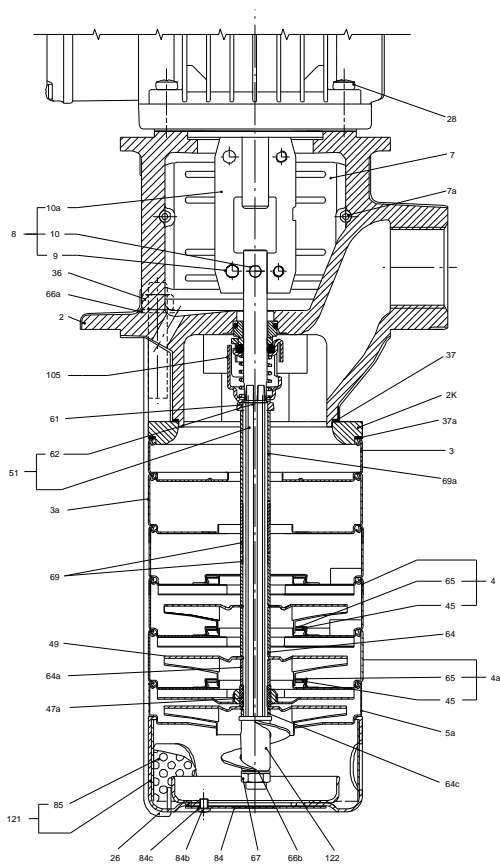
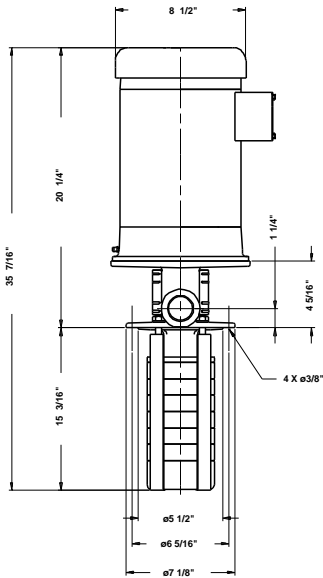
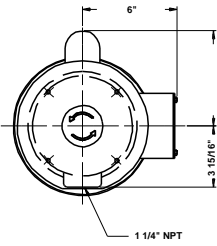
CRK 4-100/10 U-W-A-AUUV

Coolant pumps

Note! Product picture may differ from actual product

Conditions of Service		Pump Data		Motor Data	
Flow:	24.9 US GPM	Liquid temperature range:	32 .. 194 °F	Rated power - P2:	5 HP
Head:	357.1 ft	Maximum ambient temperature:	104 °F	Rated voltage:	208-230/460 V
Efficiency:	_____	Approvals motor:	UL Recognized Component, CSA	Mains frequency:	60 Hz
Liquid:	Water	Shaft seal:	AUUV	Insulation class:	F
Temperature:	68 °F	Pipe connection:	1 1/4" NPT	Motor protection:	NONE
NPSH required:	4.38 ft	Product number:	41Z97109	Motor type:	Baldor, TEFC
Viscosity:	_____			Motor_efficiency:	85.5 %
Specific Gravity:	1.000				





Materials:

- Pump head: Cast iron
EN-JL1030
ASTM A48-30 B
- Impeller: Stainless steel
DIN W.-Nr. 1.4301
AISI 304
- Material code: A

Qty. Description

1 CRK 4-100/10 U-W-A-AUUV



Note! Product picture may differ from actual product

Product No.: [41Z97109](#)

Multistage, immersible, self-priming, centrifugal pump for vertical installation in tanks etc.

The pump has the following characteristics:

- Installation length according to DIN 5440.
- Impellers, intermediate chambers and spline shaft are made of Stainless steel.
- Mechanical shaft seal according to EN 12756.
- Power transmission via cast iron split coupling.

The motor is a 3-phase AC motor.

Immersion depth: 15.2 in

Liquid:

Pumped liquid: Water
 Liquid temperature range: 32 .. 194 °F
 Selected liquid temperature: 68 °F
 Density: 62.29 lb/ft³

Technical:

Actual calculated flow: 24.9 US GPM
 Resulting head of the pump: 357.1 ft
 Primary shaft seal: AUUV
 Approvals on motor nameplate: UL Recognized Component, CSA
 Curve tolerance: ISO 9906:1999 Annex A

Materials:

Pump head: Cast iron
 EN-JL1030
 ASTM A48-30 B
 Impeller: Stainless steel
 DIN W.-Nr. 1.4301
 AISI 304

Installation:

Maximum ambient temperature: 104 °F
 Pipe connection: 1 1/4" NPT

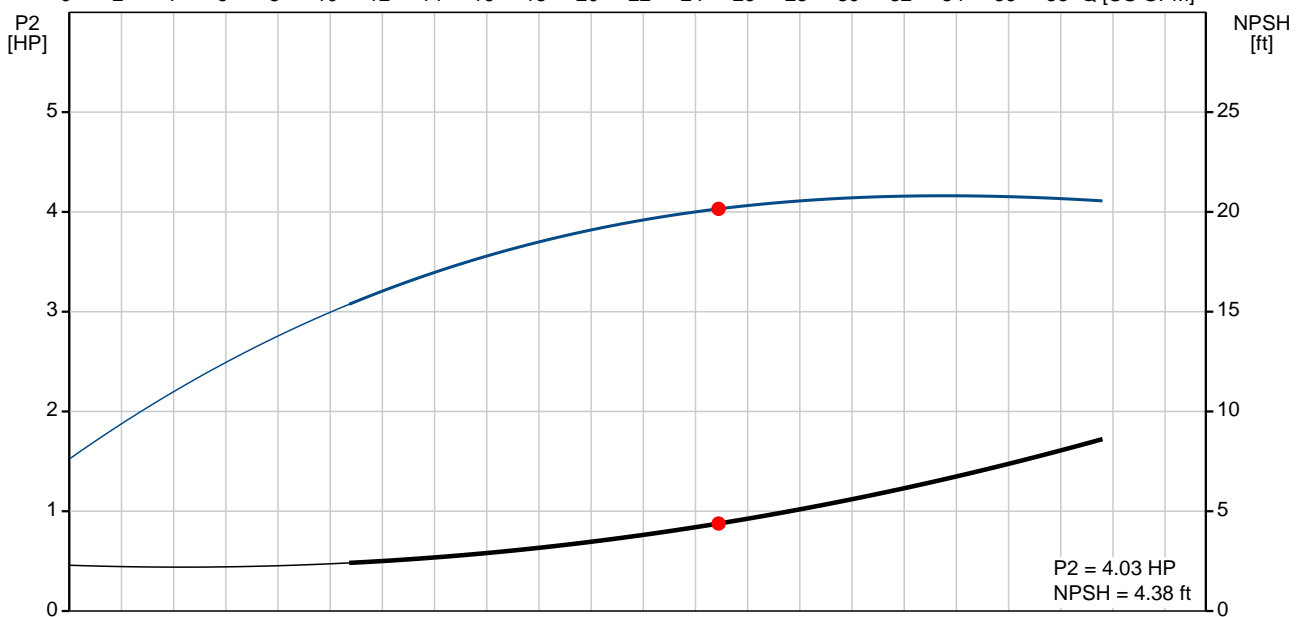
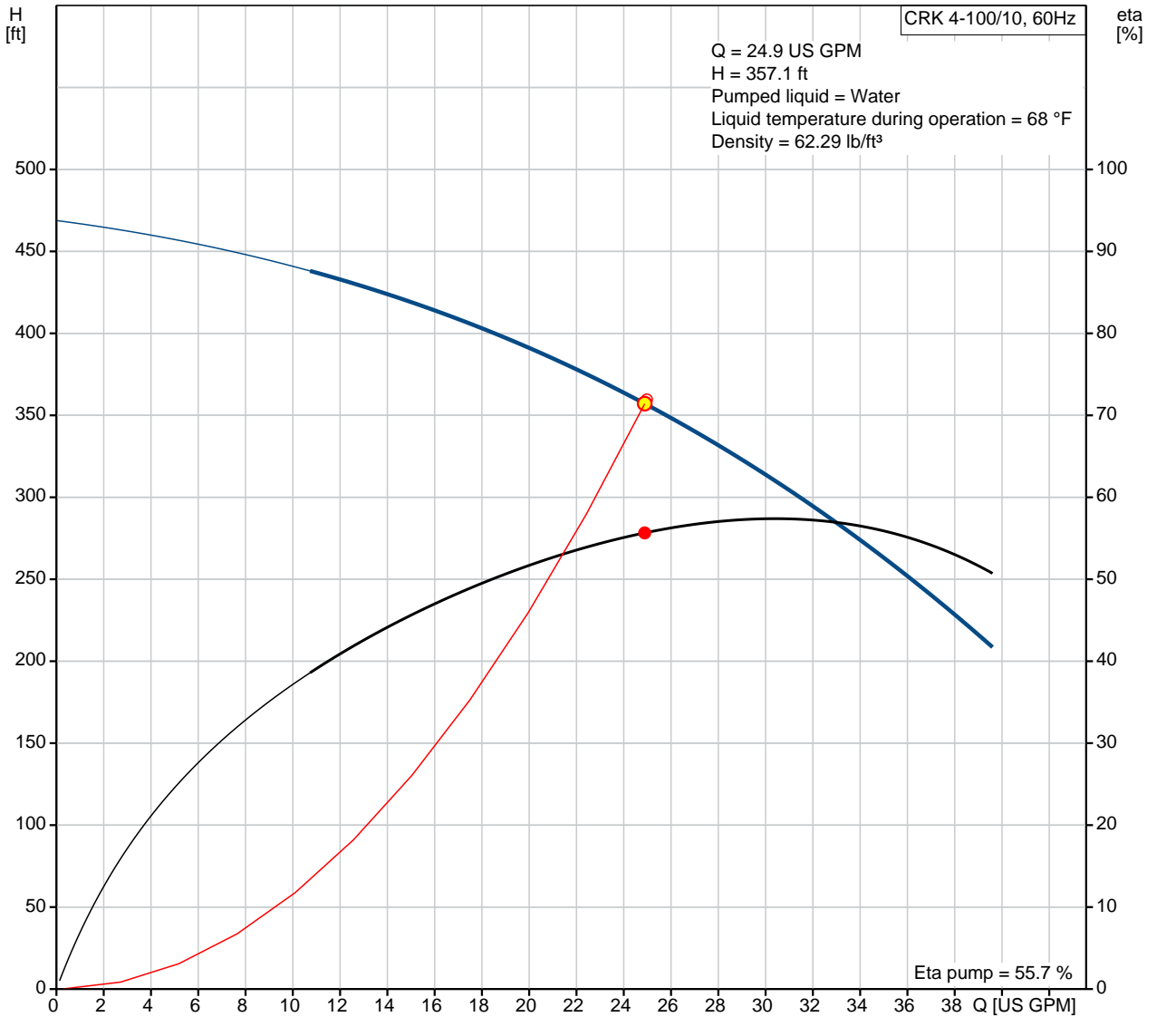
Qty.	Description
	Flange size for motor: 184TC
	Electrical data:
	Motor type: Baldor, TEFC
	Rated power - P2: 5 HP
	Mains frequency: 60 Hz
	Rated voltage: 3 x 208-230/460 V
	Service factor: 1.15
	Rated current: 13.2-12/6 A
	Starting current: 103.9-94/47 A
	Cos phi - power factor: 0.93
	Rated speed: 3450 rpm
	Motor efficiency at full load: 85.5 %
	Insulation class (IEC 85): F
	Motor No: 85600012
	Others:
	Country of origin: US
	Custom tariff no.: 8413.70.2040



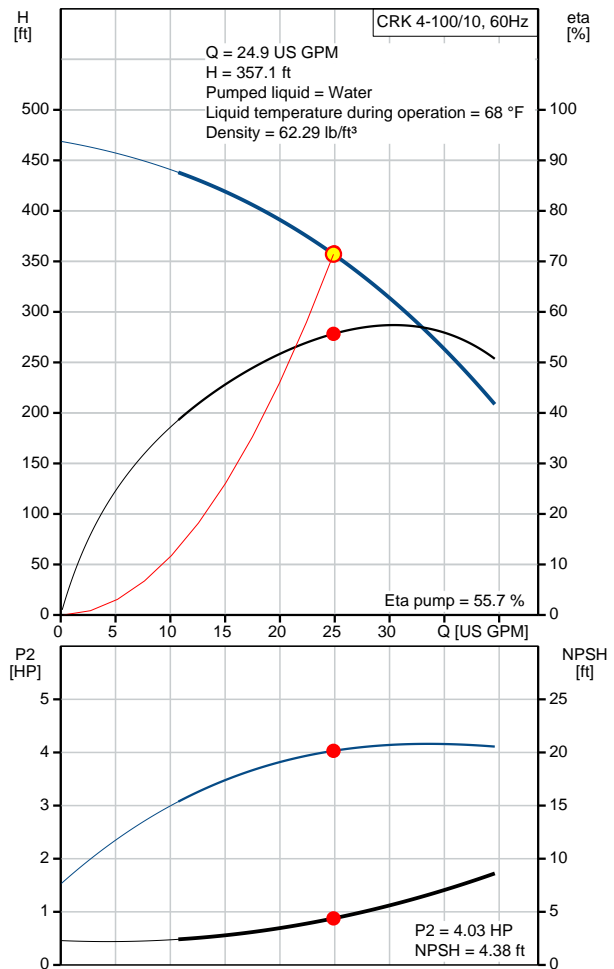
Company name:
Created by:
Phone:

Date: 15/04/2020

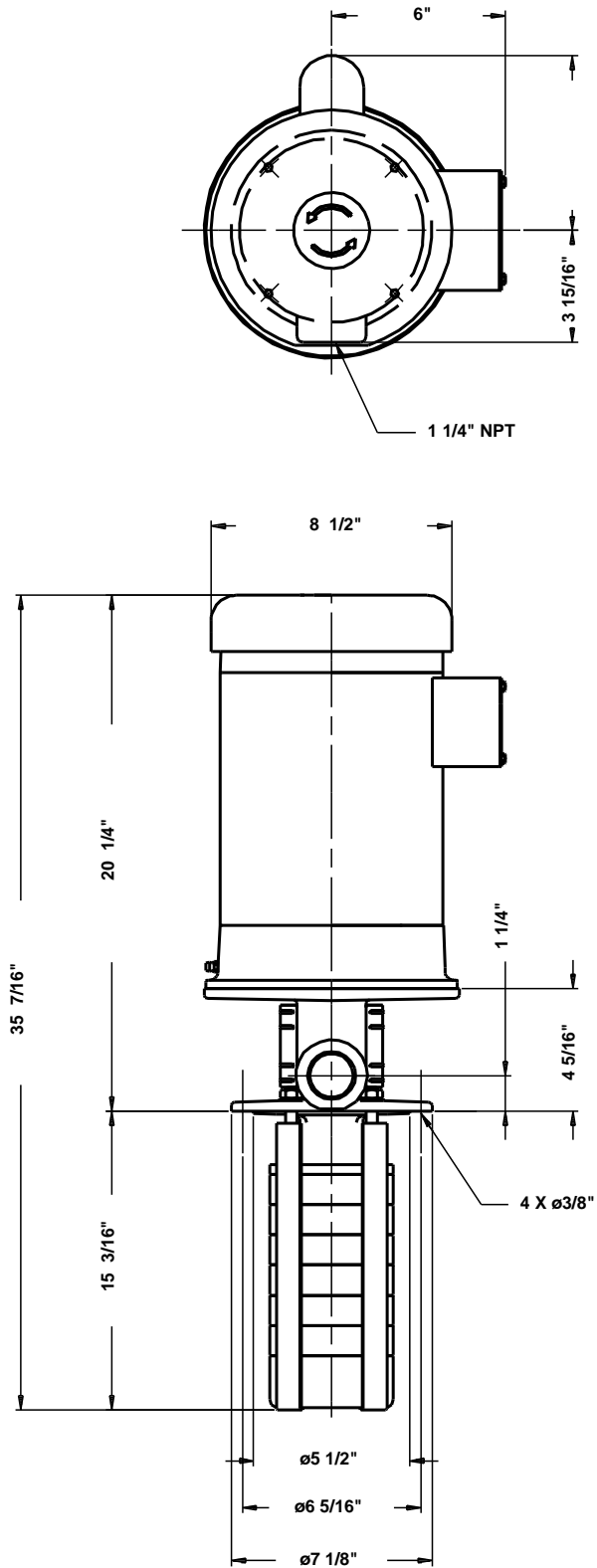
41Z97109 CRK 4-100/10 U-W-A-AUUV 60 Hz



Description	Value
General information:	
Product name:	CRK 4-100/10 U-W-A-AUUV
Product No:	41Z97109
EAN number:	5700394552776
	5700394552776
Technical:	
Actual calculated flow:	24.9 US GPM
Resulting head of the pump:	357.1 ft
Stages:	10
Impellers:	10
Primary shaft seal:	AUUV
Approvals on motor nameplate:	UL Recognized Component, CSA
Curve tolerance:	ISO 9906:1999 Annex A
Pump No:	41920070
Pump version:	U
Materials:	
Pump head:	Cast iron
	EN-JL1030
	ASTM A48-30 B
Impeller:	Stainless steel
	DIN W.-Nr. 1.4301
	AISI 304
Material code:	A
Installation:	
Maximum ambient temperature:	104 °F
Pipe connection:	1 1/4" NPT
Flange size for motor:	184TC
Connect code:	W
Liquid:	
Pumped liquid:	Water
Liquid temperature range:	32 .. 194 °F
Selected liquid temperature:	68 °F
Density:	62.29 lb/ft³
Electrical data:	
Motor type:	Baldor, TEFC
Rated power - P2:	5 HP
KVA code:	K
Mains frequency:	60 Hz
Rated voltage:	3 x 208-230/460 V
Service factor:	1.15
Rated current:	13.2-12/6 A
Starting current:	103.9-94/47 A
Load current:	15-13.6/6.8 A
Cos phi - power factor:	0.93
Rated speed:	3450 rpm
Motor efficiency at full load:	85.5 %
Insulation class (IEC 85):	F
Motor protec:	NONE
Motor No:	85600012
Others:	
Sales region:	Namreg
Country of origin:	US
Custom tariff no.:	8413.70.2040



41Z97109 CRK 4-100/10 U-W-A-AUUV 60 Hz



Note! All units are in [in] unless others are stated.
Disclaimer: This simplified dimensional drawing does not show all details.