

PROJECT: _____	UNIT TAG: _____	QUANTITY: _____
REPRESENTATIVE: _____	TYPE OF SERVICE: _____	DATE: _____
ENGINEER: _____	SUBMITTED BY: _____	DATE: _____
CONTRACTOR: _____	APPROVED BY: _____	DATE: _____
	ORDER NO.: _____	DATE: _____

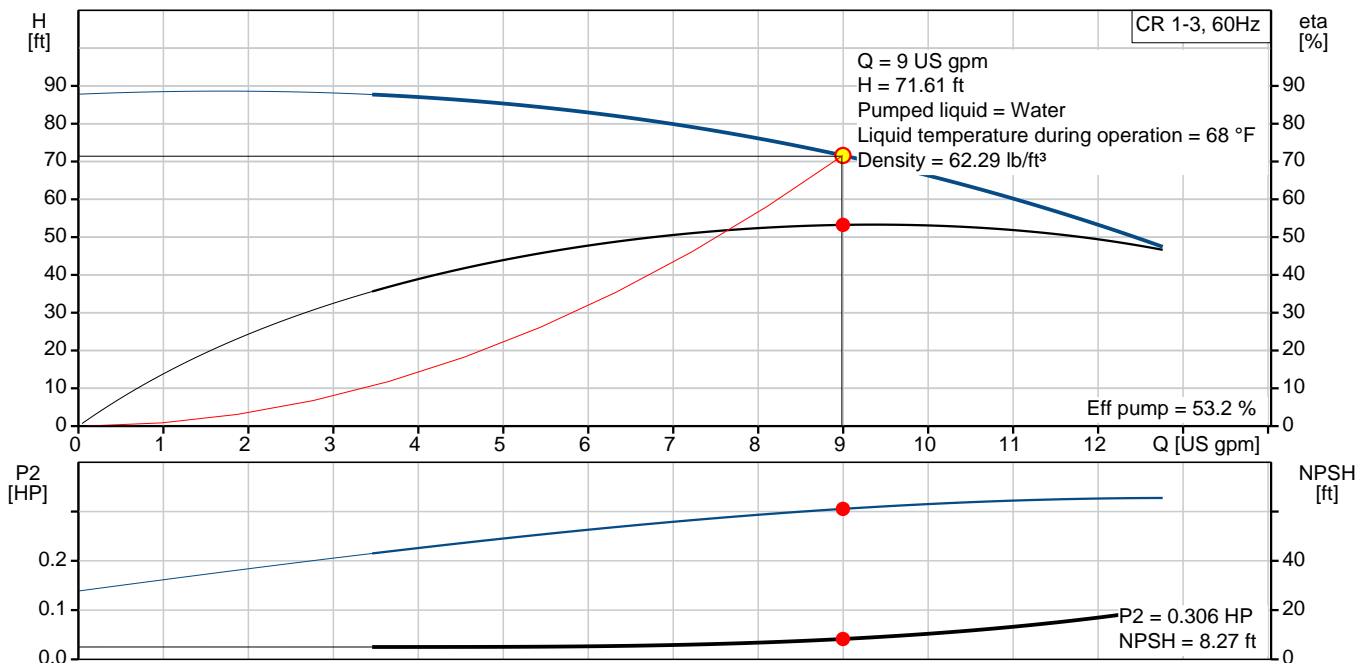


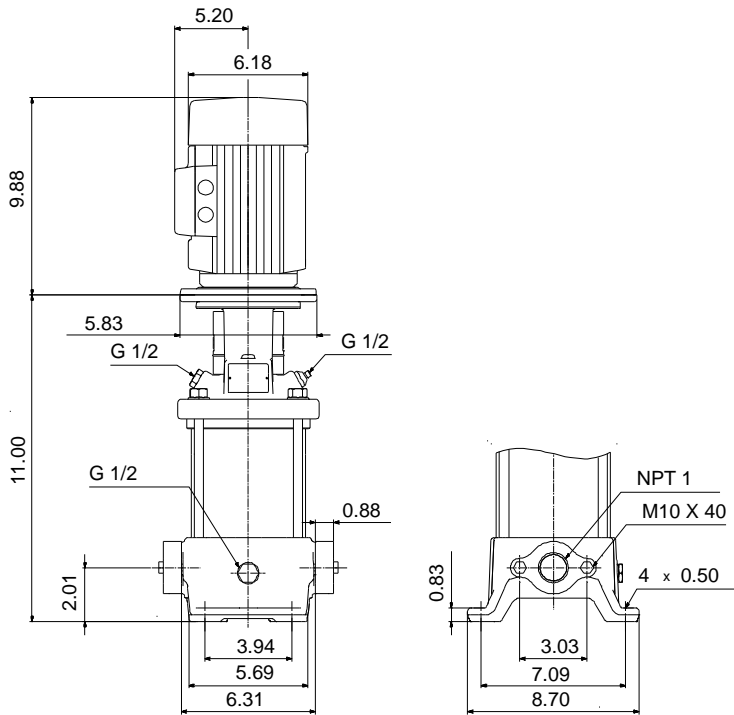
CR 1-3 A-B-A-E-HQQE

Vertical, multistage centrifugal pump with suction and discharge ports on the same level. The pump head and base are in cast iron. All other wetted parts are in stainless steel (EN 1.4301)(AISI 304)

Product photo could vary from the actual product

Conditions of Service		Pump Data		Motor Data	
Flow:	9 US gpm	Max pressure at stated temperature:	232 psi / 250 °F	Rated power - P2:	0.33 HP
Head:	71.61 ft	Liquid temperature range:	-4 .. 248 °F	Rated voltage:	115/230 V
Efficiency:	_____	Maximum ambient temperature:	104 °F	Main frequency:	60 Hz
Liquid:	Water	Approvals:	CURUS,NSF61	Insulation class:	B
Temperature:	68 °F	Shaft seal:	HQQE	Motor type:	BALDOR
NPSH required:	8.27 ft	Product number:	96081967		
Viscosity:	_____				
Specific Gravity:	1.000				






Materials:

Base: Cast iron
 EN 1561 EN-GJL-200
 ASTM A48-25B

Impeller: Stainless steel
 AISI 304
 EN 1.4301

Material code: A
 Code for rubber: E

Count	Description																																												
1	<p data-bbox="224 338 483 367">CR 1-3 A-B-A-E-HQQE</p> <div data-bbox="365 388 462 625" style="text-align: center;">  </div> <p data-bbox="224 657 483 686">Product No.: 96081967</p> <p data-bbox="224 718 1471 819">Vertical, multistage centrifugal pump with inlet and outlet ports on same the level (inline). The pump head and base are in cast iron – all other wetted parts are in stainless steel. A cartridge shaft seal ensures high reliability, safe handling, and easy access and service. Power transmission is via a rigid split coupling. Pipe connection is via oval flanges with internal NPT threads.</p> <p data-bbox="224 858 948 888">The pump is fitted with a 1-phase, fan-cooled asynchronous motor.</p> <p data-bbox="224 949 305 978">Liquid:</p> <table data-bbox="224 978 706 1094"> <tr> <td>Pumped liquid:</td> <td>Water</td> </tr> <tr> <td>Liquid temperature range:</td> <td>-4 .. 248 °F</td> </tr> <tr> <td>Selected liquid temperature:</td> <td>68 °F</td> </tr> <tr> <td>Density:</td> <td>62.29 lb/ft³</td> </tr> </table> <p data-bbox="224 1127 345 1157">Technical:</p> <table data-bbox="224 1157 779 1392"> <tr> <td>Rated pump speed:</td> <td>3436 rpm</td> </tr> <tr> <td>Actual calculated flow:</td> <td>9 US gpm</td> </tr> <tr> <td>Resulting head of the pump:</td> <td>71.61 ft</td> </tr> <tr> <td>Pump orientation:</td> <td>Vertical</td> </tr> <tr> <td>Shaft seal arrangement:</td> <td>Single</td> </tr> <tr> <td>Code for shaft seal:</td> <td>HQQE</td> </tr> <tr> <td>Approvals on nameplate:</td> <td>CURUS,NSF61</td> </tr> <tr> <td>Curve tolerance:</td> <td>ISO9906:2012 3B</td> </tr> </table> <p data-bbox="224 1423 337 1453">Materials:</p> <table data-bbox="224 1453 821 1659"> <tr> <td>Base:</td> <td>Cast iron EN 1561 EN-GJL-200 ASTM A48-25B</td> </tr> <tr> <td>Impeller:</td> <td>Stainless steel EN 1.4301 AISI 304</td> </tr> <tr> <td>Bearing:</td> <td>SIC</td> </tr> </table> <p data-bbox="224 1690 362 1719">Installation:</p> <table data-bbox="224 1719 821 1953"> <tr> <td>Maximum ambient temperature:</td> <td>104 °F</td> </tr> <tr> <td>Maximum operating pressure:</td> <td>232.06 psi</td> </tr> <tr> <td>Max pressure at stated temperature:</td> <td>232 psi / 250 °F 232 psi / -4 °F</td> </tr> <tr> <td>Type of connection:</td> <td>Oval / NPT(F)</td> </tr> <tr> <td>Size of suction port:</td> <td>1 inch</td> </tr> <tr> <td>Size of outlet port:</td> <td>1 inch</td> </tr> <tr> <td>Pressure rating for connection:</td> <td>PN 16</td> </tr> </table>	Pumped liquid:	Water	Liquid temperature range:	-4 .. 248 °F	Selected liquid temperature:	68 °F	Density:	62.29 lb/ft³	Rated pump speed:	3436 rpm	Actual calculated flow:	9 US gpm	Resulting head of the pump:	71.61 ft	Pump orientation:	Vertical	Shaft seal arrangement:	Single	Code for shaft seal:	HQQE	Approvals on nameplate:	CURUS,NSF61	Curve tolerance:	ISO9906:2012 3B	Base:	Cast iron EN 1561 EN-GJL-200 ASTM A48-25B	Impeller:	Stainless steel EN 1.4301 AISI 304	Bearing:	SIC	Maximum ambient temperature:	104 °F	Maximum operating pressure:	232.06 psi	Max pressure at stated temperature:	232 psi / 250 °F 232 psi / -4 °F	Type of connection:	Oval / NPT(F)	Size of suction port:	1 inch	Size of outlet port:	1 inch	Pressure rating for connection:	PN 16
Pumped liquid:	Water																																												
Liquid temperature range:	-4 .. 248 °F																																												
Selected liquid temperature:	68 °F																																												
Density:	62.29 lb/ft³																																												
Rated pump speed:	3436 rpm																																												
Actual calculated flow:	9 US gpm																																												
Resulting head of the pump:	71.61 ft																																												
Pump orientation:	Vertical																																												
Shaft seal arrangement:	Single																																												
Code for shaft seal:	HQQE																																												
Approvals on nameplate:	CURUS,NSF61																																												
Curve tolerance:	ISO9906:2012 3B																																												
Base:	Cast iron EN 1561 EN-GJL-200 ASTM A48-25B																																												
Impeller:	Stainless steel EN 1.4301 AISI 304																																												
Bearing:	SIC																																												
Maximum ambient temperature:	104 °F																																												
Maximum operating pressure:	232.06 psi																																												
Max pressure at stated temperature:	232 psi / 250 °F 232 psi / -4 °F																																												
Type of connection:	Oval / NPT(F)																																												
Size of suction port:	1 inch																																												
Size of outlet port:	1 inch																																												
Pressure rating for connection:	PN 16																																												



Company name: PFC Equipment

Created by:

Phone:

Date: 4/17/2020

Count	Description
	Flange size for motor: 56C
	Electrical data:
	Motor standard: NEMA
	Motor type: BALDOR
	Rated power - P2: 0.33 HP
	Power (P2) required by pump: 0.33 HP
	Main frequency: 60 Hz
	Rated voltage: 1 x 115/230 V
	Service factor: 1.35
	Rated current: 6.00/3.00 A
	Rated speed: 3450 rpm
	Number of poles: 2
	Insulation class (IEC 85): B
	Motor Number: 85680001
	Controls:
	Frequency converter: NONE
	Others:
	Net weight: 48.1 lb
	Gross weight: 59.1 lb
	Shipping volume: 4.94 ft ³
	Country of origin: US
	Custom tariff no.: 8413.70.2040



Company name: PFC Equipment

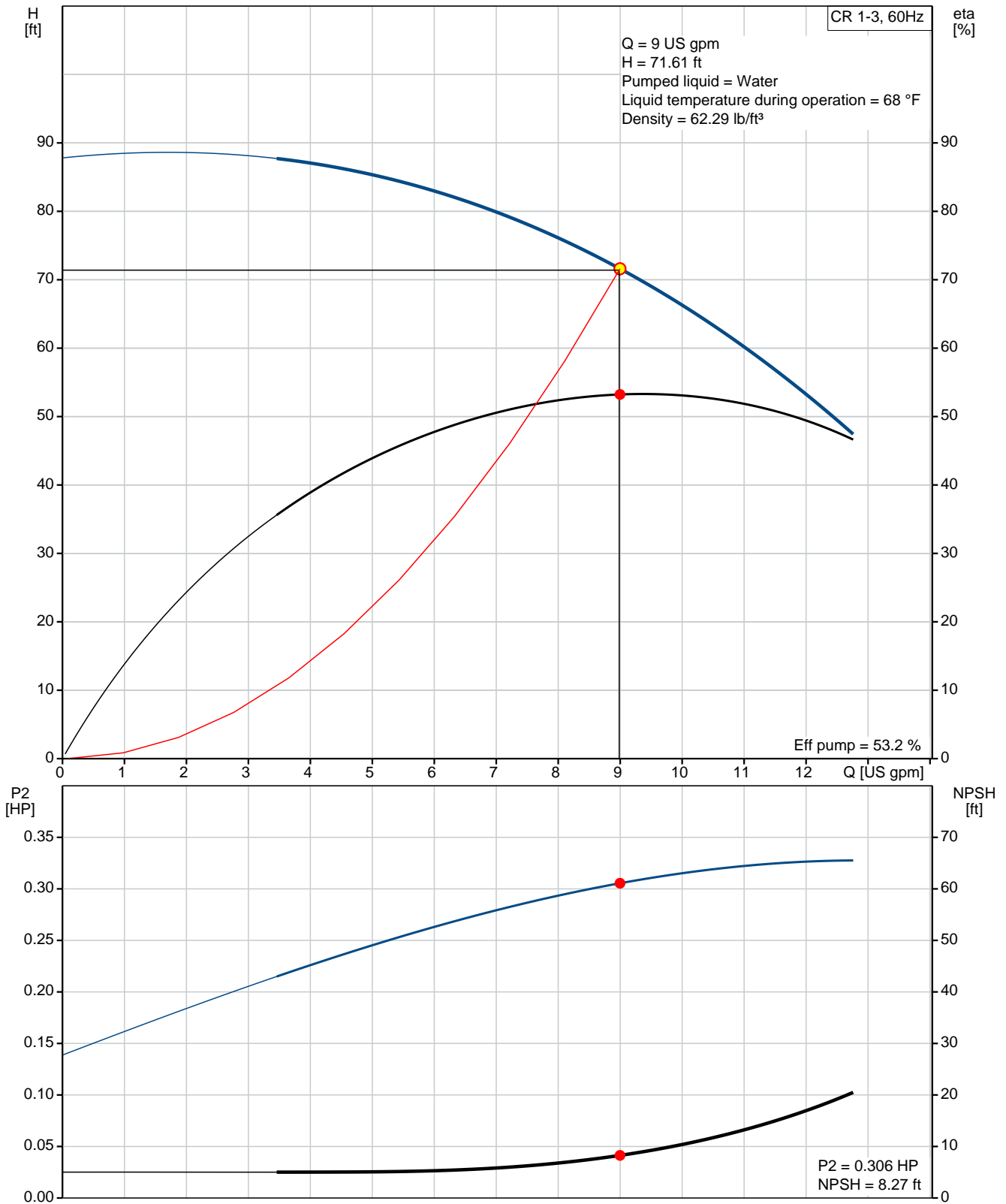
Created by:

Phone:

Date:

4/17/2020

96081967 CR 1-3 A-B-A-E-HQQE 60 Hz





Company name: PFC Equipment

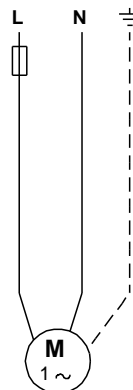
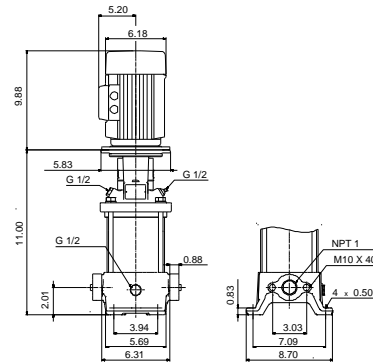
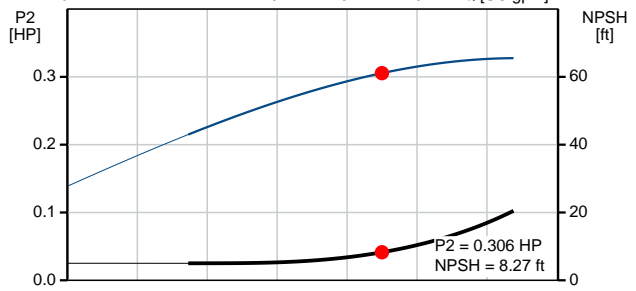
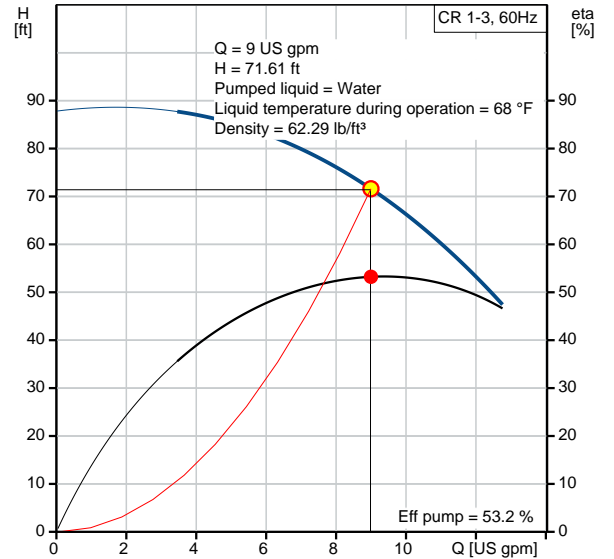
Created by:

Phone:

Date:

4/17/2020

Description	Value
General information:	
Product name:	CR 1-3 A-B-A-E-HQQE
Product No.:	96081967
EAN:	5700395167054
	5700395167054
Technical:	
Rated pump speed:	3436 rpm
Actual calculated flow:	9 US gpm
Resulting head of the pump:	71.61 ft
Maximum head:	86.29 ft
Stages:	3
Impellers:	3
Number of reduced-diameter impellers:	0
Low NPSH:	N
Pump orientation:	Vertical
Shaft seal arrangement:	Single
Code for shaft seal:	HQQE
Approvals on nameplate:	CURUS,NSF61
Curve tolerance:	ISO9906:2012 3B
Pump version:	A
Model:	A
Cooling:	TEFC
Materials:	
Base:	Cast iron
	EN 1561 EN-GJL-200
	ASTM A48-25B
Impeller:	Stainless steel
	EN 1.4301
	AISI 304
Material code:	A
Code for rubber:	E
Bearing:	SIC
Installation:	
Maximum ambient temperature:	104 °F
Maximum operating pressure:	232.06 psi
Max pressure at stated temperature:	232 psi / 250 °F
	232 psi / -4 °F
Type of connection:	Oval / NPT(F)
Size of suction port:	1 inch
Size of outlet port:	1 inch
Pressure rating for connection:	PN 16
Flange size for motor:	56C
Connect code:	B
Liquid:	
Pumped liquid:	Water
Liquid temperature range:	-4 .. 248 °F
Selected liquid temperature:	68 °F
Density:	62.29 lb/ft ³
Electrical data:	
Motor standard:	NEMA
Motor type:	BALDOR
Rated power - P2:	0.33 HP
Power (P2) required by pump:	0.33 HP
Main frequency:	60 Hz





Company name: PFC Equipment

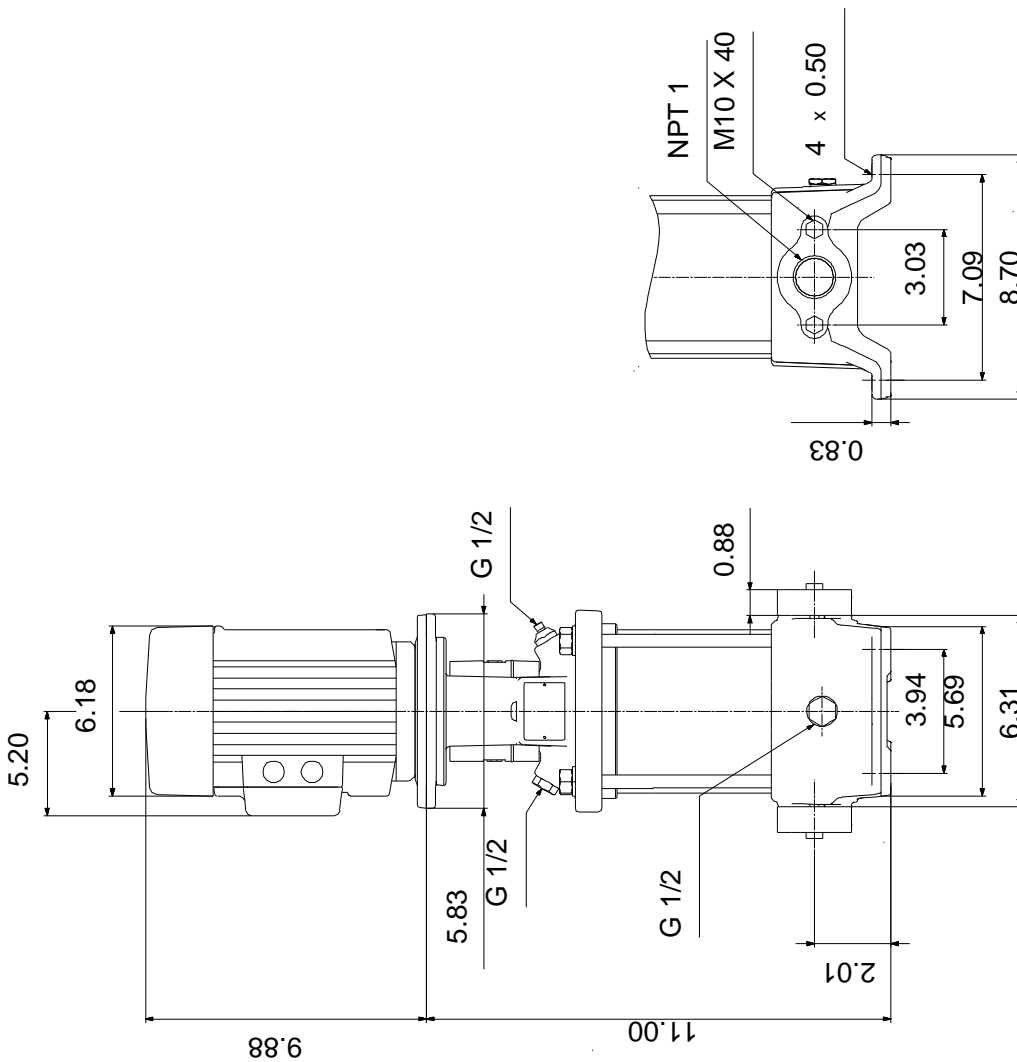
Created by:

Phone:

Date: 4/17/2020

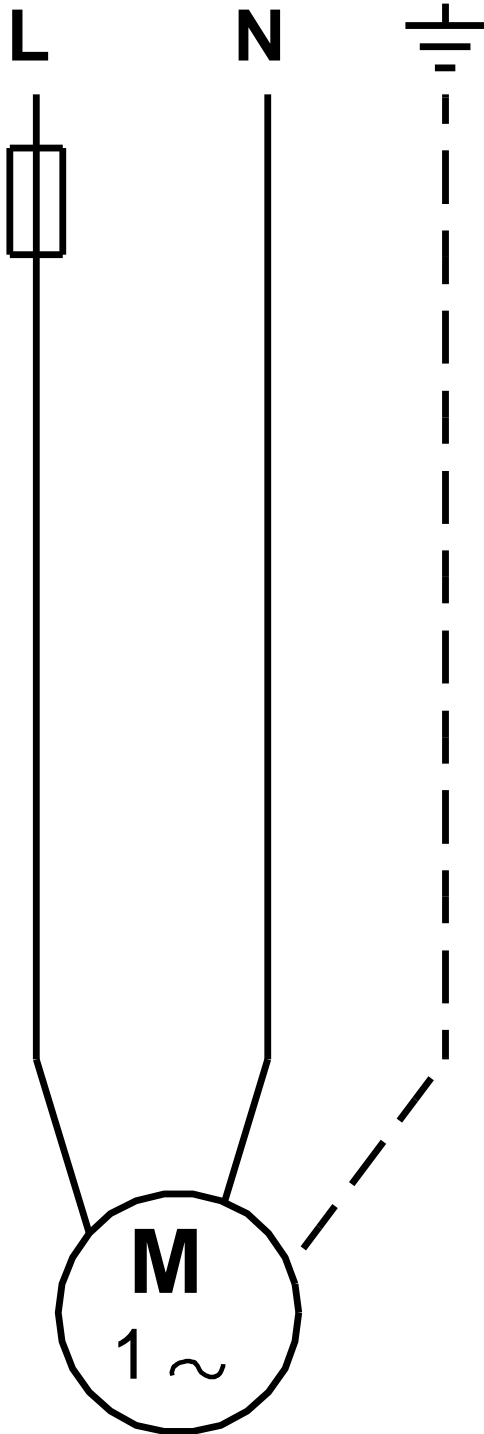
Description	Value
Rated voltage:	1 x 115/230 V
Service factor:	1.35
Rated current:	6.00/3.00 A
Load current:	6.8/3.4 A
Rated speed:	3450 rpm
Number of poles:	2
Insulation class (IEC 85):	B
Motor Number:	85680001
Controls:	
Frequency converter:	NONE
Others:	
Net weight:	48.1 lb
Gross weight:	59.1 lb
Shipping volume:	4.94 ft ³
Country of origin:	US
Custom tariff no.:	8413.70.2040

96081967 CR 1-3 A-B-A-E-HQQE 60 Hz



Note! All units are in [in] unless otherwise stated.
Disclaimer: This simplified dimensional drawing does not show all details.

96081967 CR 1-3 A-B-A-E-HQQE 60 Hz



All units are [in] unless otherwise presented.