
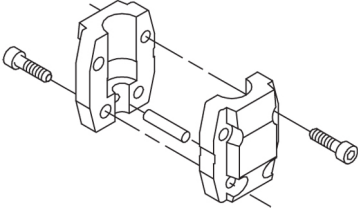
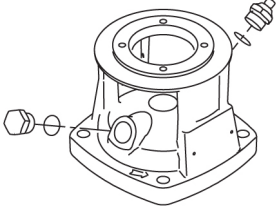
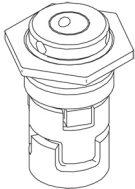
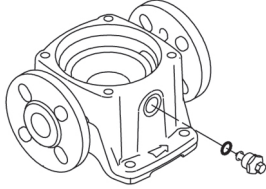


Count	Description
1	<p data-bbox="225 338 533 360">CR 1-11 A-FGJ-A-V-HQQV</p>  <p data-bbox="225 663 491 685">Product No.: 96082224</p> <p data-bbox="225 723 1445 819">Vertical, multistage centrifugal pump with inlet and outlet ports on same the level (inline). The pump head and base are in cast iron – all other wetted parts are in stainless steel. A cartridge shaft seal ensures high reliability, safe handling, and easy access and service. Power transmission is via a rigid split coupling. Pipe connection is via combined DIN-ANSI-JIS flanges.</p> <p data-bbox="225 864 959 887">The pump is fitted with a 3-phase, fan-cooled asynchronous motor.</p> <p data-bbox="225 925 544 947">Further product details</p> <p data-bbox="225 958 1453 1055">Steel, cast iron and aluminium components have an epoxy-based coating made in a cathodic electro-deposition (CED) process. CED is a high-quality dip-painting process where an electrical field around the products ensures deposition of paint particles as a thin, well-controlled layer on the surface. An integral part of the process is a pretreatment. The entire process consists of these elements:</p> <ol data-bbox="225 1070 719 1189" style="list-style-type: none"> 1) Alkaline-based cleaning. 2) Zinc phosphating. 3) Cathodic electro-deposition. 4) Curing to a dry film thickness 18-22 my m. <p data-bbox="225 1193 935 1216">The colour code for the finished product is NCS 9000/RAL 9005.</p> <p data-bbox="225 1249 309 1272">Pump</p> <p data-bbox="225 1283 1414 1335">A standard split coupling connects the pump and motor shaft. It is enclosed in the pump head/motor stool by means of two coupling guards.</p>  <p data-bbox="225 1585 1433 1637">The pump head, pump head cover and flange for motor mounting is made in one piece. The pump head has a combined 1/2" priming plug and vent screw.</p>  <p data-bbox="225 1888 1425 1984">The pump is fitted with a balanced O-ring seal unit with a rigid torque-transmission system. This seal type is assembled in a cartridge unit which makes replacement safe and easy. Due to the balancing, this seal type is suitable for high-pressure applications. The cartridge construction also protects the pump shaft from possible wear from a dynamic O-ring between pump shaft and shaft seal.</p> <p data-bbox="225 2000 373 2022">Primary seal:</p> <ul data-bbox="264 2029 823 2085" style="list-style-type: none"> • Rotating seal ring material: silicon carbide (SiC) • Stationary seat material: silicon carbide (SiC)

Count	Description																						
	<p>This material pairing is used where higher corrosion resistance is required. The high hardness of this material pairing offers good resistance against abrasive particles.</p> <p>Secondary seal material: FKM (fluorocarbon rubber)</p> <p>FKM has excellent resistance to oils and chemicals. Above 90 °C, FKM should only be used in media without water.</p>  <p>The shaft seal is screwed into the pump head.</p> <p>The pump has a special air-cooled shaft-seal chamber generating the same insulation effect as that of a vacuum flask. No external cooling is necessary; the ambient temperature is sufficient. An automatic vent vents the pump seal chamber.</p> <p>The chambers and impellers are made of stainless-steel sheet. The chambers are provided with a PTFE neck ring offering improved sealing and high efficiency. The impellers have smooth surfaces, and the shape of the blades ensure a high efficiency.</p> <p>The base is made of cast iron. The flanges and base are cast in one piece. The outlet side of the base has a combined drain plug and bypass valve. The pump is secured to the foundation by four bolts through the base plate.</p>  <p>Motor</p> <p>The motor is a totally enclosed, fan-cooled motor with principal dimensions to IEC and DIN standards. The motor is flange-mounted with tapped-hole flange (FT).</p> <p>Motor-mounting designation in accordance with IEC 60034-7: IM B 14 (Code I) / IM 3601 (Code II).</p> <p>Electrical tolerances comply with IEC 60034.</p> <p>The motor efficiency is classified as premium efficiency in accordance with EISA2007.</p> <p>The motor does not incorporate motor protection and must be connected to a motor-protective circuit breaker which can be manually reset. The motor-protective circuit breaker must be set according to the rated current of the motor (I1/1).</p> <p>Technical data</p> <table data-bbox="225 1749 715 1899"> <tr> <td>Liquid:</td> <td></td> </tr> <tr> <td>Pumped liquid:</td> <td>Water</td> </tr> <tr> <td>Liquid temperature range:</td> <td>-4 .. 194 °F</td> </tr> <tr> <td>Selected liquid temperature:</td> <td>68 °F</td> </tr> <tr> <td>Density:</td> <td>62.29 lb/ft³</td> </tr> </table> <table data-bbox="225 1928 735 2101"> <tr> <td>Technical:</td> <td></td> </tr> <tr> <td>Rated pump speed:</td> <td>3466 rpm</td> </tr> <tr> <td>Rated flow:</td> <td>9.69 US gpm</td> </tr> <tr> <td>Rated head:</td> <td>244.4 ft</td> </tr> <tr> <td>Pump orientation:</td> <td>Vertical</td> </tr> <tr> <td>Shaft seal arrangement:</td> <td>Single</td> </tr> </table>	Liquid:		Pumped liquid:	Water	Liquid temperature range:	-4 .. 194 °F	Selected liquid temperature:	68 °F	Density:	62.29 lb/ft³	Technical:		Rated pump speed:	3466 rpm	Rated flow:	9.69 US gpm	Rated head:	244.4 ft	Pump orientation:	Vertical	Shaft seal arrangement:	Single
Liquid:																							
Pumped liquid:	Water																						
Liquid temperature range:	-4 .. 194 °F																						
Selected liquid temperature:	68 °F																						
Density:	62.29 lb/ft³																						
Technical:																							
Rated pump speed:	3466 rpm																						
Rated flow:	9.69 US gpm																						
Rated head:	244.4 ft																						
Pump orientation:	Vertical																						
Shaft seal arrangement:	Single																						

Count	Description
	Code for shaft seal: HQQV
	Approvals on nameplate: CURUS
	Curve tolerance: ISO9906:2012 3B
	Materials:
	Base: Cast iron EN 1561 EN-GJL-200 ASTM A48-25B
	Impeller: Stainless steel EN 1.4301 AISI 304
	Bearing: SIC
	Installation:
	Maximum ambient temperature: 140 °F
	Maximum operating pressure: 362.59 psi
	Max pressure at stated temperature: 363 psi / 194 °F 363 psi / -4 °F
	Type of connection: DIN / ANSI / JIS
	Size of inlet connection: DN 25/32
	Size of outlet connection: DN 25/32
	Pressure rating for connection: PN 25
	Flange rating inlet: 250 lb
	Flange size for motor: 56C
	Electrical data:
	Motor standard: NEMA
	Motor type: 80CA
	IE Efficiency class: NEMA Premium / IE3 60Hz
	Rated power - P2: 1.5 HP
	Power (P2) required by pump: 1.5 HP
	Main frequency: 60 Hz
	Rated voltage: 3 x 208-230YY/460Y V
	Service factor: 1.15
	Rated current: 4,45-4,3/2,16 A
	Starting current: 720 %
	Cos phi - power factor: 0.84-0.78
	Rated speed: 3440-3480 rpm
	IE efficiency: IE3 84,1%
	Motor efficiency at full load: 84.9 %
	Motor efficiency at 3/4 load: 81.0 %
	Motor efficiency at 1/2 load: 78.5 %
	Number of poles: 2
	Enclosure class (IEC 34-5): 55 Dust/Jetting
	Insulation class (IEC 85): F
	Motor Number: 98976607
	Controls:
	Frequency converter: NONE
	Others:
	Net weight: 64.5 lb
	Gross weight: 75.5 lb
	Shipping volume: 6.11 ft³
	Country of origin: US
	Custom tariff no.: 8413.70.2040



Company name:

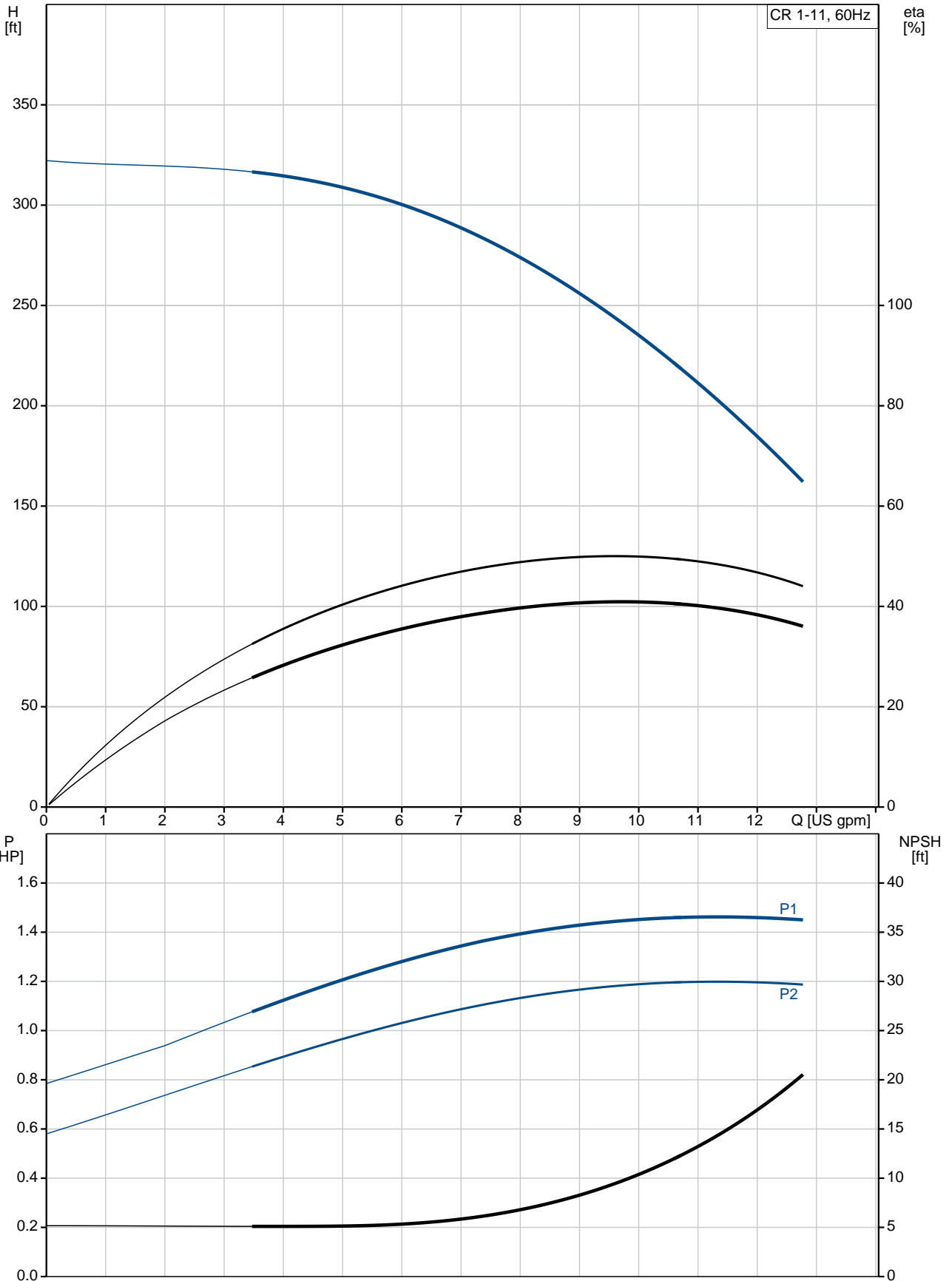
Created by:

Phone:

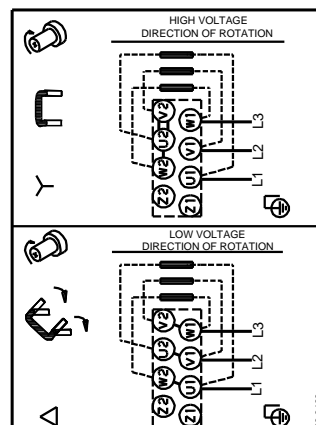
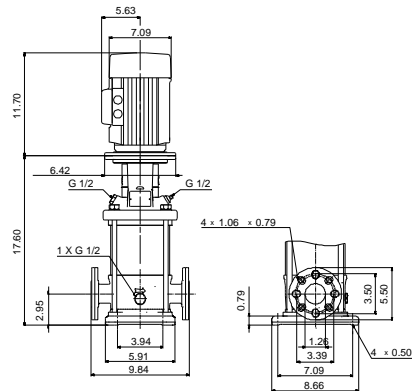
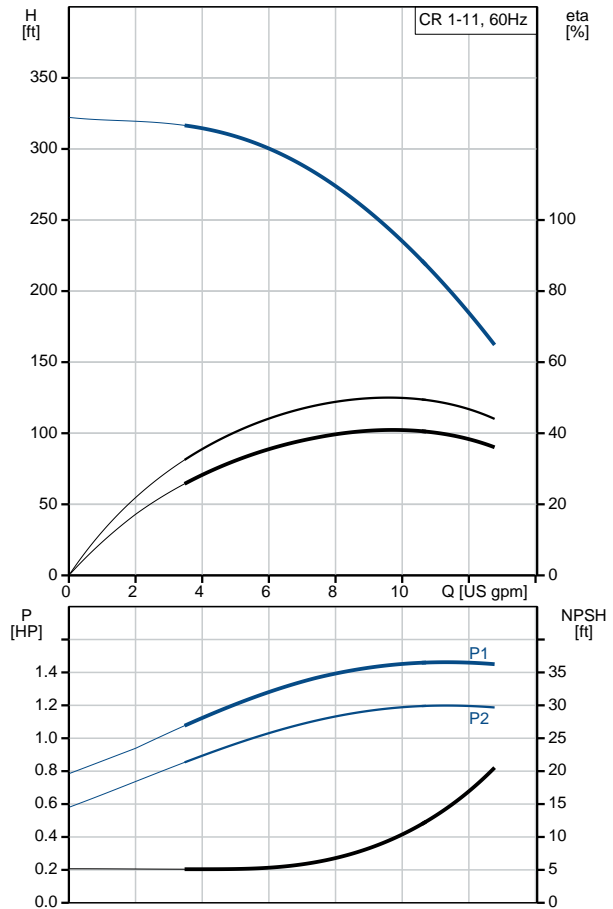
Date:

4/16/2020

96082224 CR 1-11 A-FGJ-A-V-HQQV 60 Hz



Description	Value
General information:	
Product name:	CR 1-11 A-FGJ-A-V-HQQV
Product No.:	96082224
EAN:	5700395169621 5700395169621
Technical:	
Rated pump speed:	3466 rpm
Rated flow:	9.69 US gpm
Rated head:	244.4 ft
Maximum head:	323.8 ft
Stages:	11
Impellers:	11
Number of reduced-diameter impellers:	0
Low NPSH:	N
Pump orientation:	Vertical
Shaft seal arrangement:	Single
Code for shaft seal:	HQQV
Approvals on nameplate:	CURUS
Curve tolerance:	ISO9906:2012 3B
Pump version:	A
Model:	A
Cooling:	TEFC
Materials:	
Base:	Cast iron EN 1561 EN-GJL-200 ASTM A48-25B
Impeller:	Stainless steel EN 1.4301 AISI 304
Material code:	A
Code for rubber:	V
Bearing:	SIC
Installation:	
Maximum ambient temperature:	140 °F
Maximum operating pressure:	362.59 psi
Max pressure at stated temperature:	363 psi / 194 °F 363 psi / -4 °F
Type of connection:	DIN / ANSI / JIS
Size of inlet connection:	DN 25/32
Size of outlet connection:	DN 25/32
Pressure rating for connection:	PN 25
Flange rating inlet:	250 lb
Flange size for motor:	56C
Connect code:	FGJ
Liquid:	
Pumped liquid:	Water
Liquid temperature range:	-4 .. 194 °F
Selected liquid temperature:	68 °F
Density:	62.29 lb/ft³
Electrical data:	
Motor standard:	NEMA
Motor type:	80CA
IE Efficiency class:	NEMA Premium / IE3 60Hz
Rated power - P2:	1.5 HP
Power (P2) required by pump:	1.5 HP
Main frequency:	60 Hz





Company name:

Created by:

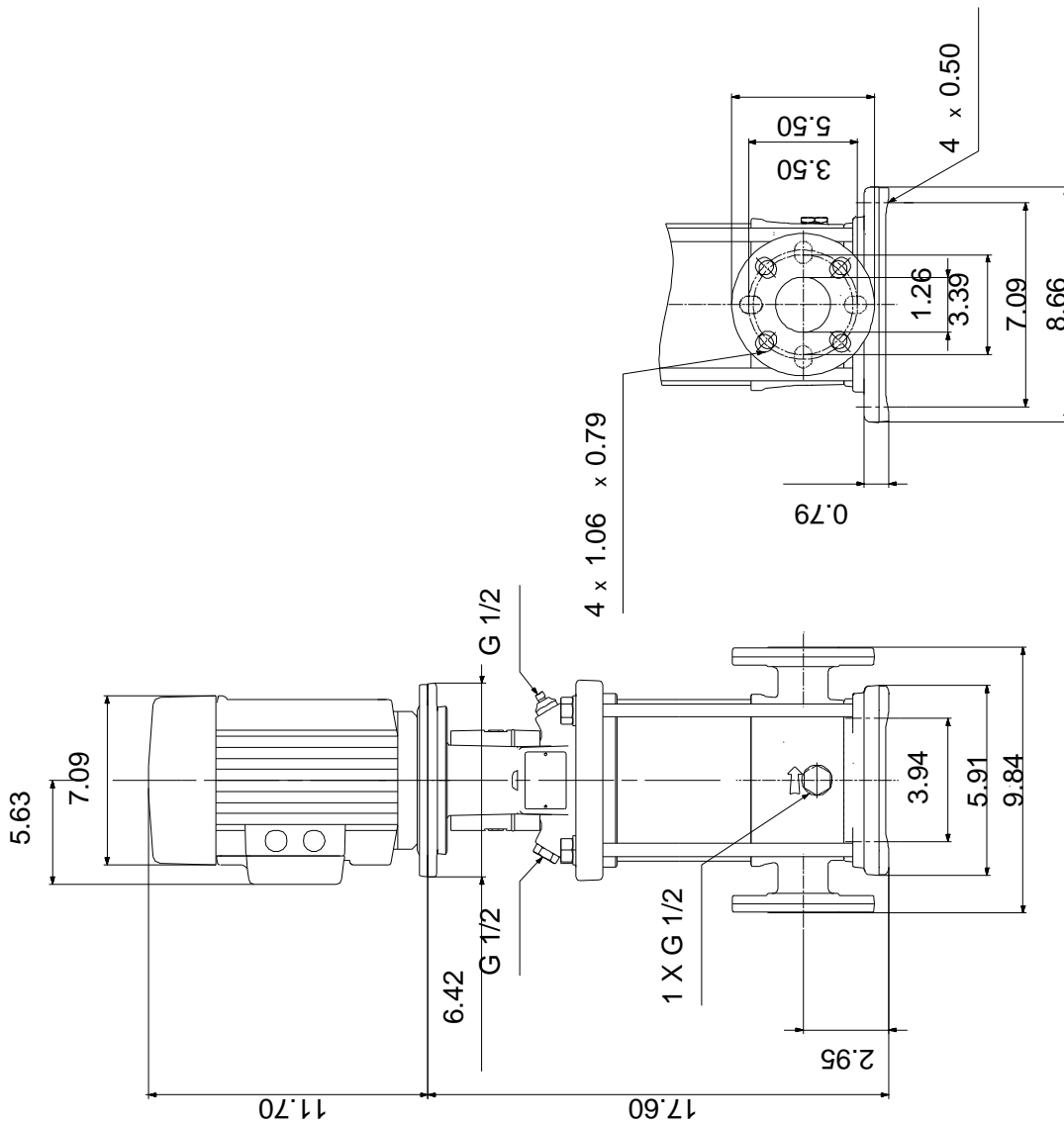
Phone:

Date:

4/16/2020

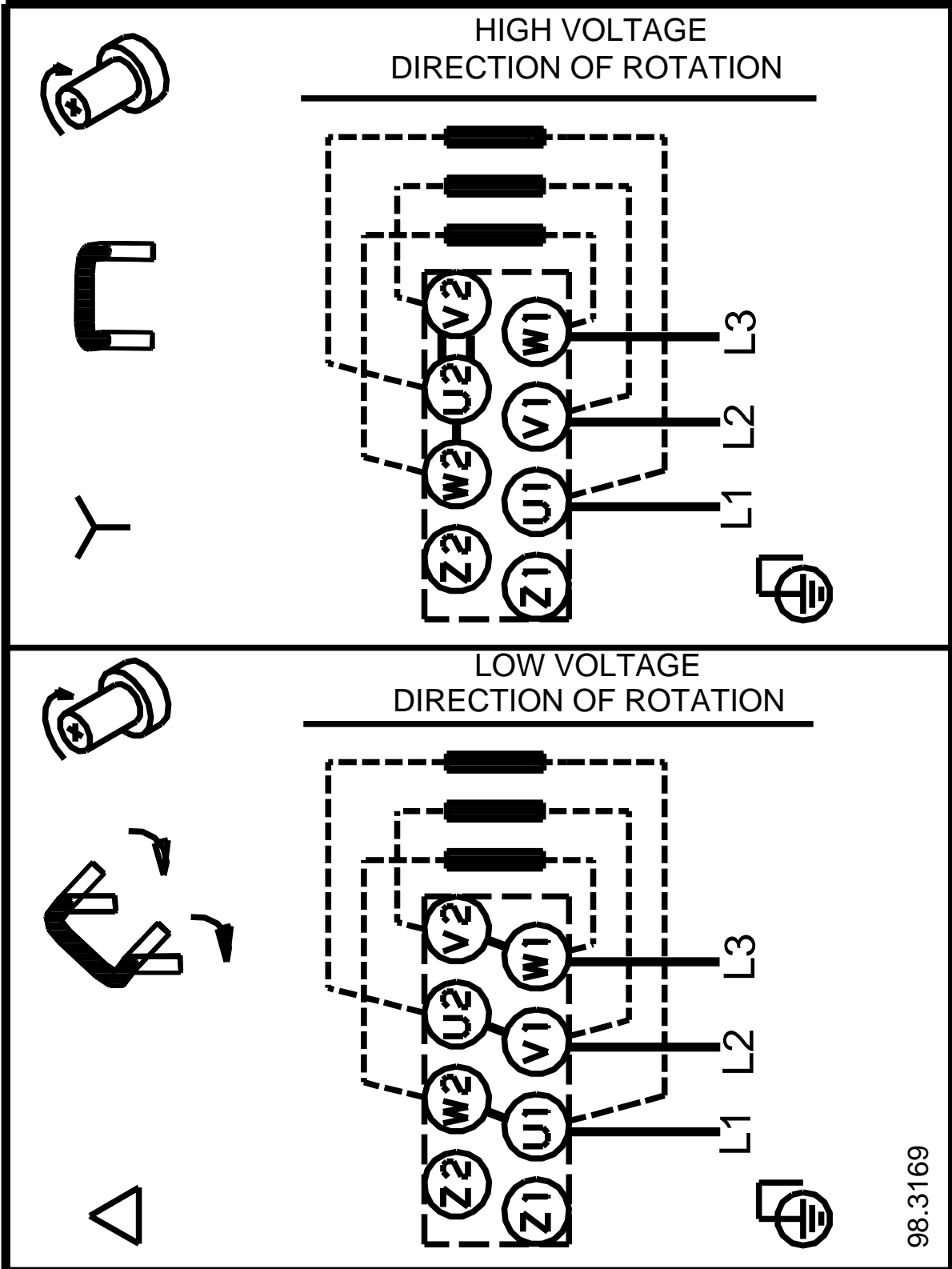
Description	Value
Rated voltage:	3 x 208-230YY/460Y V
Service factor:	1.15
Rated current:	4,45-4,3/2,16 A
Starting current:	720 %
Load current:	5,1-4,95/2,48 A
Cos phi - power factor:	0.84-0.78
Rated speed:	3440-3480 rpm
IE efficiency:	IE3 84,1%
Motor efficiency at full load:	84.9 %
Motor efficiency at 3/4 load:	81.0 %
Motor efficiency at 1/2 load:	78.5 %
Number of poles:	2
Enclosure class (IEC 34-5):	55 Dust/Jetting
Insulation class (IEC 85):	F
Motor protection:	NONE
Motor Number:	98976607
Controls:	
Frequency converter:	NONE
Others:	
Net weight:	64.5 lb
Gross weight:	75.5 lb
Shipping volume:	6.11 ft ³
Country of origin:	US
Custom tariff no.:	8413.70.2040

96082224 CR 1-11 A-FGJ-A-V-HQQV 60 Hz



Note! All units are in [in] unless otherwise stated.
 Disclaimer: This simplified dimensional drawing does not show all details.

96082224 CR 1-11 A-FGJ-A-V-HQQV 60 Hz



98.3169

All units are [in] unless otherwise presented.