
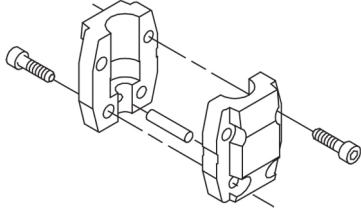
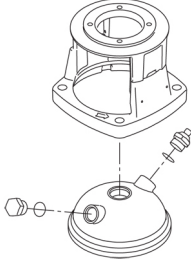
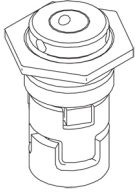


Count	Description
1	<p data-bbox="225 342 550 365">CRN 10-5 A-FGJ-A-V-HQQV</p>  <p data-bbox="225 663 491 685">Product No.: 96522968</p> <p data-bbox="225 723 1425 819">Vertical, multistage centrifugal pump with inlet and outlet ports on same the level (inline). Pump materials in contact with the liquid are in high-grade stainless steel. A cartridge shaft seal ensures high reliability, safe handling, and easy access and service. Power transmission is via a rigid split coupling. Pipe connection is via combined DIN-ANSI-JIS flanges.</p> <p data-bbox="225 864 959 887">The pump is fitted with a 1-phase, fan-cooled asynchronous motor.</p> <p data-bbox="225 925 544 947">Further product details</p> <p data-bbox="225 958 1453 1055">Steel, cast iron and aluminium components have an epoxy-based coating made in a cathodic electro-deposition (CED) process. CED is a high-quality dip-painting process where an electrical field around the products ensures deposition of paint particles as a thin, well-controlled layer on the surface. An integral part of the process is a pretreatment. The entire process consists of these elements:</p> <ol data-bbox="225 1070 719 1189" style="list-style-type: none"> 1) Alkaline-based cleaning. 2) Zinc phosphating. 3) Cathodic electro-deposition. 4) Curing to a dry film thickness 18-22 my m. <p data-bbox="225 1193 932 1216">The colour code for the finished product is NCS 9000/RAL 9005.</p> <p data-bbox="225 1249 308 1272">Pump</p> <p data-bbox="225 1283 1414 1335">A standard split coupling connects the pump and motor shaft. It is enclosed in the pump head/motor stool by means of two coupling guards.</p>  <p data-bbox="225 1585 1390 1637">The pump head and flange for motor mounting is made in one piece (cast iron). The pump head cover is a separate component (stainless steel). The pump head has a combined 1/2" priming plug and vent screw.</p>  <p data-bbox="225 1939 1425 2036">The pump is fitted with a balanced O-ring seal unit with a rigid torque-transmission system. This seal type is assembled in a cartridge unit which makes replacement safe and easy. Due to the balancing, this seal type is suitable for high-pressure applications. The cartridge construction also protects the pump shaft from possible wear from a dynamic O-ring between pump shaft and shaft seal.</p> <p data-bbox="225 2051 371 2074">Primary seal:</p> <ul data-bbox="264 2078 826 2101" style="list-style-type: none"> • Rotating seal ring material: silicon carbide (SiC)

Count	Description																				
	<ul style="list-style-type: none"> Stationary seat material: silicon carbide (SiC) <p>This material pairing is used where higher corrosion resistance is required. The high hardness of this material pairing offers good resistance against abrasive particles.</p> <p>Secondary seal material: FKM (fluorocarbon rubber)</p> <p>FKM has excellent resistance to oils and chemicals. Above 90 °C, FKM should only be used in media without water.</p>  <p>The shaft seal is screwed into the pump head.</p> <p>The pump has a special air-cooled shaft-seal chamber generating the same insulation effect as that of a vacuum flask. No external cooling is necessary; the ambient temperature is sufficient. An automatic vent vents the pump seal chamber.</p> <p>The chambers and impellers are made of stainless-steel sheet. The chambers are provided with a PTFE neck ring offering improved sealing and high efficiency. The impellers have smooth surfaces, and the shape of the blades ensure a high efficiency.</p> <p>The pump has a stainless steel base mounted on a separate base plate. This base and base plate are kept in position by the tension of the staybolts which hold the pump together. The outlet side of the base has a combined drain plug and bypass valve. The pump is secured to the foundation by four bolts through the base plate. The flanges and base are cast in one piece and prepared for connection by means of DIN, ANSI or JIS.</p> <p>Motor</p> <p>The motor is a totally enclosed, fan-cooled motor with principal dimensions to IEC and DIN standards. The motor is flange-mounted with tapped-hole flange (FT).</p> <p>Motor-mounting designation in accordance with IEC 60034-7: IM B 14 (Code I) / IM 3601 (Code II).</p> <p>Electrical tolerances comply with IEC 60034.</p> <p>The motor does not incorporate motor protection and must be connected to a motor-protective circuit breaker which can be manually reset. The motor-protective circuit breaker must be set according to the rated current of the motor (I1/1).</p> <p>The motor has built-in thermal protection (PTO current and temperature sensors) in accordance with IEC 60034-11 and requires no further motor protection. The protection reacts to both slow- and quick-rising temperatures, e.g. constant overload and stalled conditions.</p> <p>As the thermal protection incorporates automatic reset, the motor must be connected in a way which ensures that the automatic reset cannot cause accidents.</p> <p>Technical data</p> <p>Liquid:</p> <table data-bbox="225 1724 718 1848"> <tr> <td>Pumped liquid:</td> <td>Water</td> </tr> <tr> <td>Liquid temperature range:</td> <td>-4 .. 194 °F</td> </tr> <tr> <td>Selected liquid temperature:</td> <td>68 °F</td> </tr> <tr> <td>Density:</td> <td>62.29 lb/ft³</td> </tr> </table> <p>Technical:</p> <table data-bbox="225 1904 734 2083"> <tr> <td>Rated pump speed:</td> <td>3468 rpm</td> </tr> <tr> <td>Rated flow:</td> <td>53.3 US gpm</td> </tr> <tr> <td>Rated head:</td> <td>189.6 ft</td> </tr> <tr> <td>Actual impeller diameter:</td> <td>3.66 in</td> </tr> <tr> <td>Pump orientation:</td> <td>Vertical</td> </tr> <tr> <td>Shaft seal arrangement:</td> <td>Single</td> </tr> </table>	Pumped liquid:	Water	Liquid temperature range:	-4 .. 194 °F	Selected liquid temperature:	68 °F	Density:	62.29 lb/ft³	Rated pump speed:	3468 rpm	Rated flow:	53.3 US gpm	Rated head:	189.6 ft	Actual impeller diameter:	3.66 in	Pump orientation:	Vertical	Shaft seal arrangement:	Single
Pumped liquid:	Water																				
Liquid temperature range:	-4 .. 194 °F																				
Selected liquid temperature:	68 °F																				
Density:	62.29 lb/ft³																				
Rated pump speed:	3468 rpm																				
Rated flow:	53.3 US gpm																				
Rated head:	189.6 ft																				
Actual impeller diameter:	3.66 in																				
Pump orientation:	Vertical																				
Shaft seal arrangement:	Single																				



Company name:

Created by:

Phone:

Date:

4/21/2020

Count	Description
	Code for shaft seal: HQQV Approvals on nameplate: CURUS Curve tolerance: ISO9906:2012 3B
	Materials:
	Base: Stainless steel EN 1.4408 AISI 316
	Impeller: Stainless steel EN 1.4401 AISI 316
	Bearing: SIC
	Installation:
	Maximum ambient temperature: 104 °F Maximum operating pressure: 362.59 psi Max pressure at stated temperature: 363 psi / 194 °F 363 psi / -4 °F
	Type of connection: DIN / ANSI / JIS Size of inlet connection: DN 50 Size of outlet connection: DN 50 Pressure rating for connection: PN 25 Flange rating inlet: 300 lb Flange size for motor: 182TC
	Electrical data:
	Motor standard: NEMA Motor type: BALDOR Rated power - P2: 5 HP Power (P2) required by pump: 5 HP Main frequency: 60 Hz Rated voltage: 1 x 208-230 V Service factor: 1.15 Rated current: 24.0-22.0 A Rated speed: 3450 rpm Number of poles: 2 Enclosure class (IEC 34-5): IP54 Insulation class (IEC 85): F Motor Number: 85700012
	Controls:
	Frequency converter: NONE
	Others:
	DOE Pump Energy Index CL: 0.87 Net weight: 187 lb Gross weight: 203 lb Shipping volume: 13.1 ft³ Country of origin: US Custom tariff no.: 8413.70.2040



Company name:

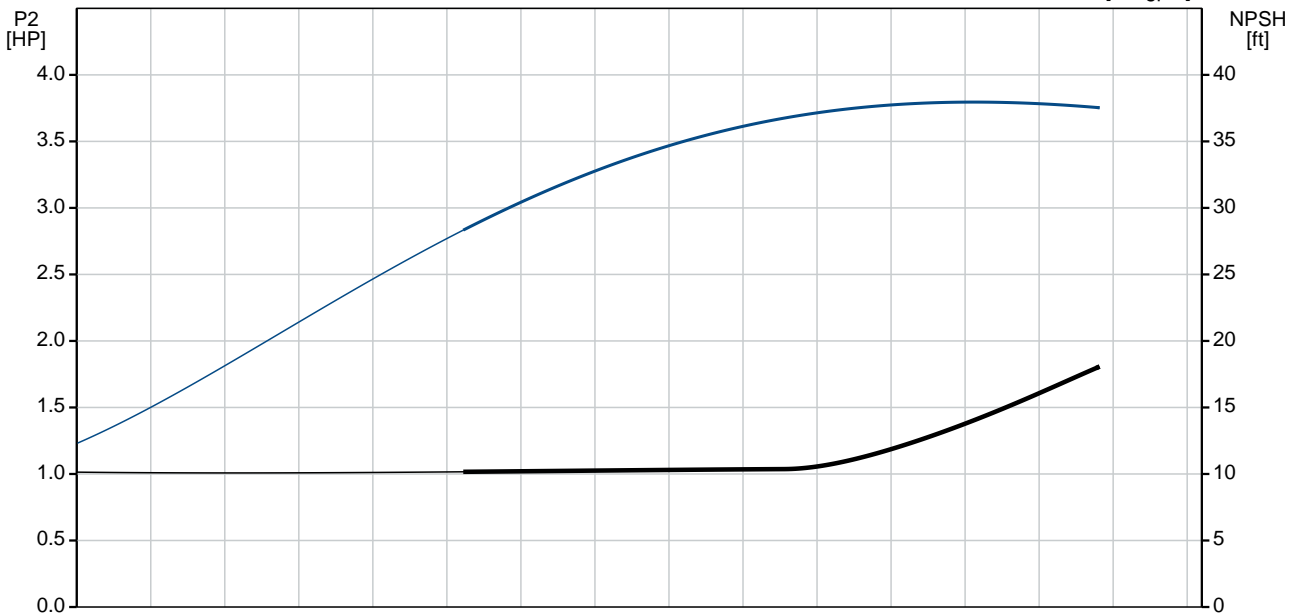
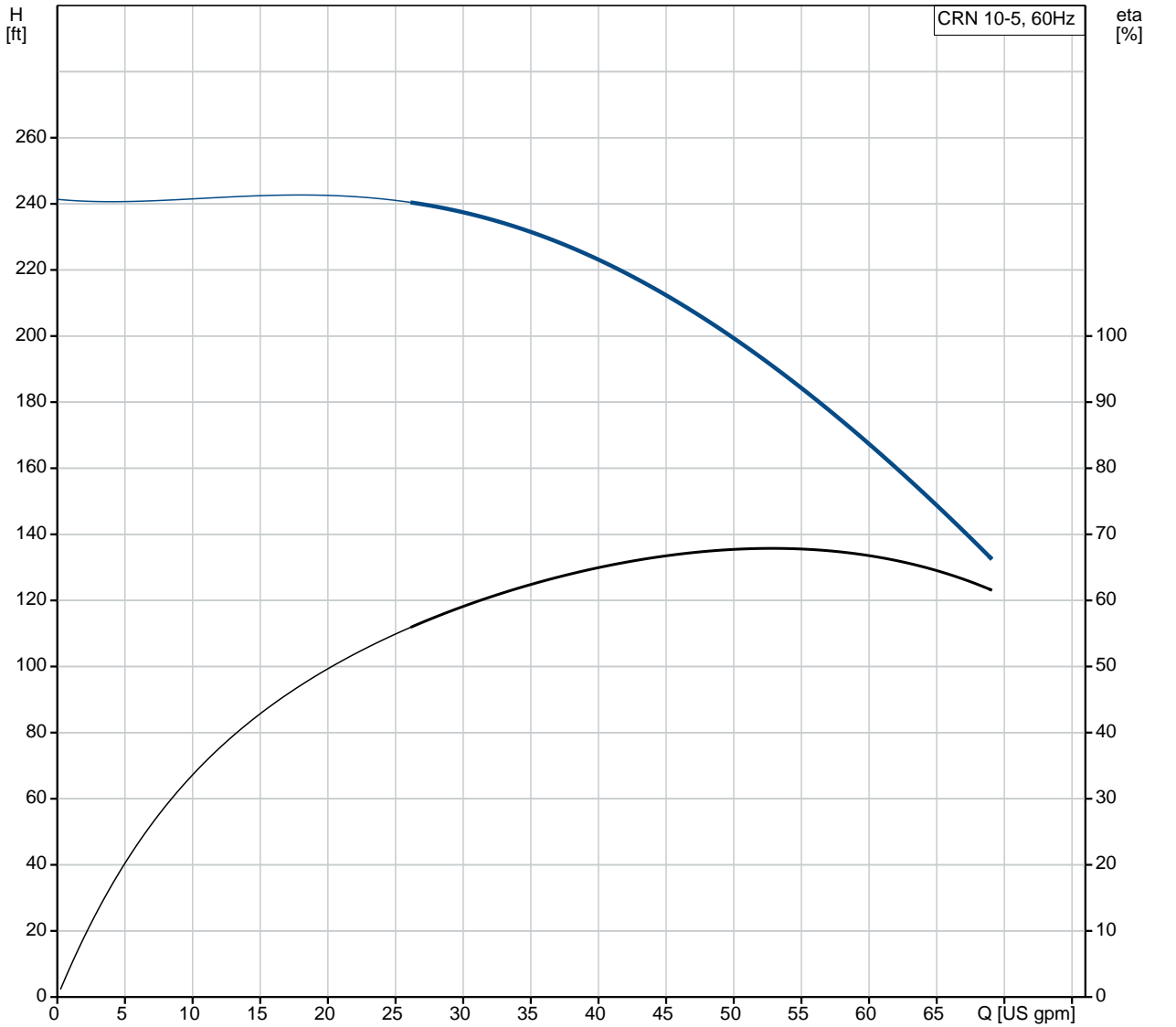
Created by:

Phone:

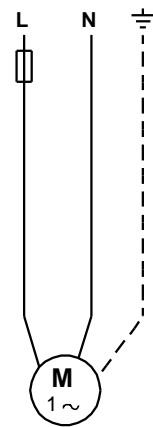
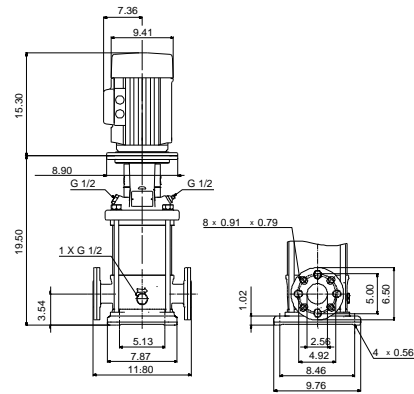
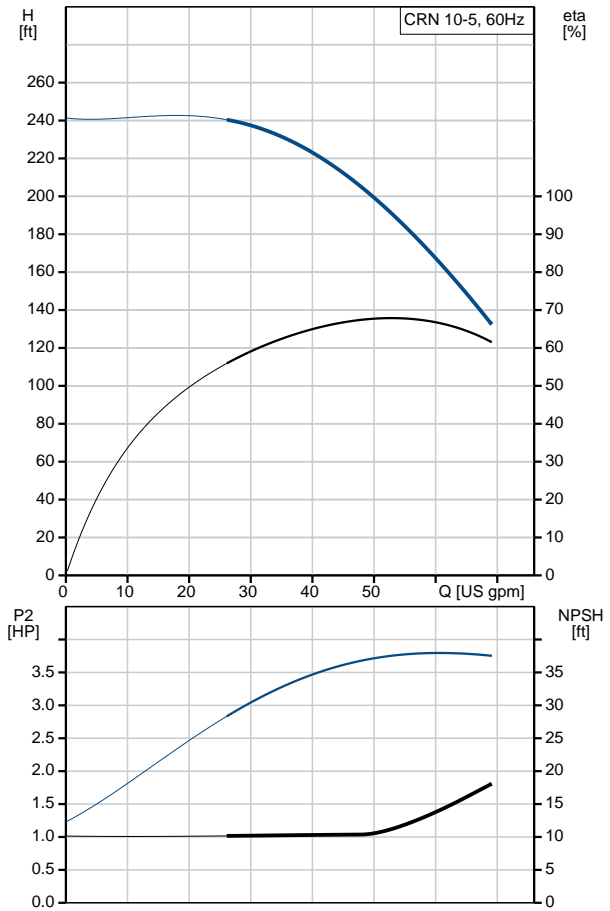
Date:

4/21/2020

96522968 CRN 10-5 A-FGJ-A-V-HQQV 60 Hz



Description	Value
General information:	
Product name:	CRN 10-5 A-FGJ-A-V-HQQV
Product No.:	96522968
EAN:	5700396897530 5700396897530
Technical:	
Rated pump speed:	3468 rpm
Rated flow:	53.3 US gpm
Rated head:	189.6 ft
Maximum head:	241.5 ft
Actual impeller diameter:	3.66 in
Stages:	5
Impellers:	5
Number of reduced-diameter impellers:	0
Low NPSH:	N
Pump orientation:	Vertical
Shaft seal arrangement:	Single
Code for shaft seal:	HQQV
Approvals on nameplate:	CURUS
Curve tolerance:	ISO9906:2012 3B
Pump version:	A
Model:	A
Cooling:	TEFC
Materials:	
Base:	Stainless steel EN 1.4408 AISI 316
Impeller:	Stainless steel EN 1.4401 AISI 316
Material code:	A
Code for rubber:	V
Bearing:	SIC
Installation:	
Maximum ambient temperature:	104 °F
Maximum operating pressure:	362.59 psi
Max pressure at stated temperature:	363 psi / 194 °F 363 psi / -4 °F
Type of connection:	DIN / ANSI / JIS
Size of inlet connection:	DN 50
Size of outlet connection:	DN 50
Pressure rating for connection:	PN 25
Flange rating inlet:	300 lb
Flange size for motor:	182TC
Connect code:	FGJ
Liquid:	
Pumped liquid:	Water
Liquid temperature range:	-4 .. 194 °F
Selected liquid temperature:	68 °F
Density:	62.29 lb/ft³
Electrical data:	
Motor standard:	NEMA
Motor type:	BALDOR
Rated power - P2:	5 HP
Power (P2) required by pump:	5 HP
Main frequency:	60 Hz
Rated voltage:	1 x 208-230 V





Company name:

Created by:

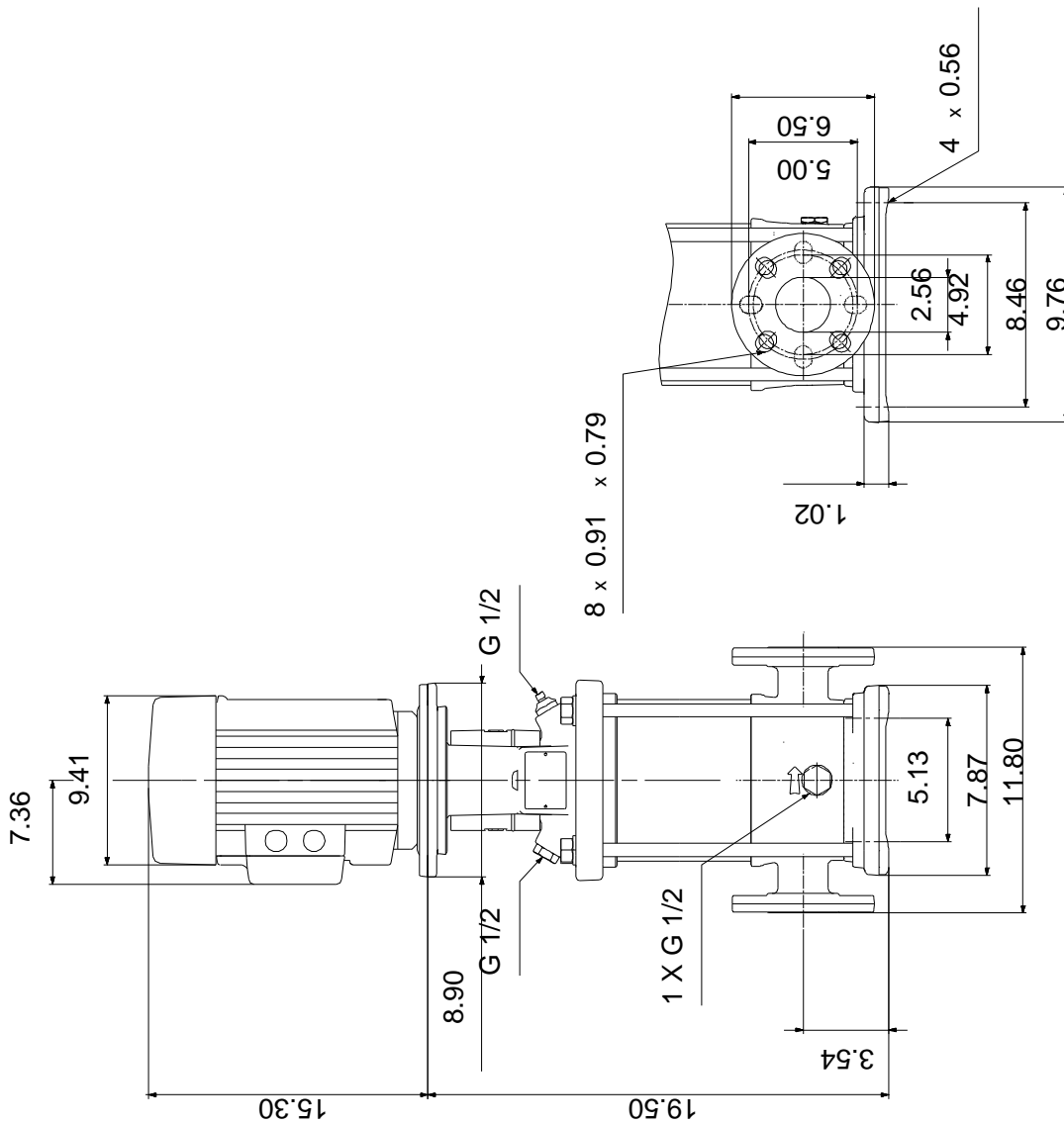
Phone:

Date:

4/21/2020

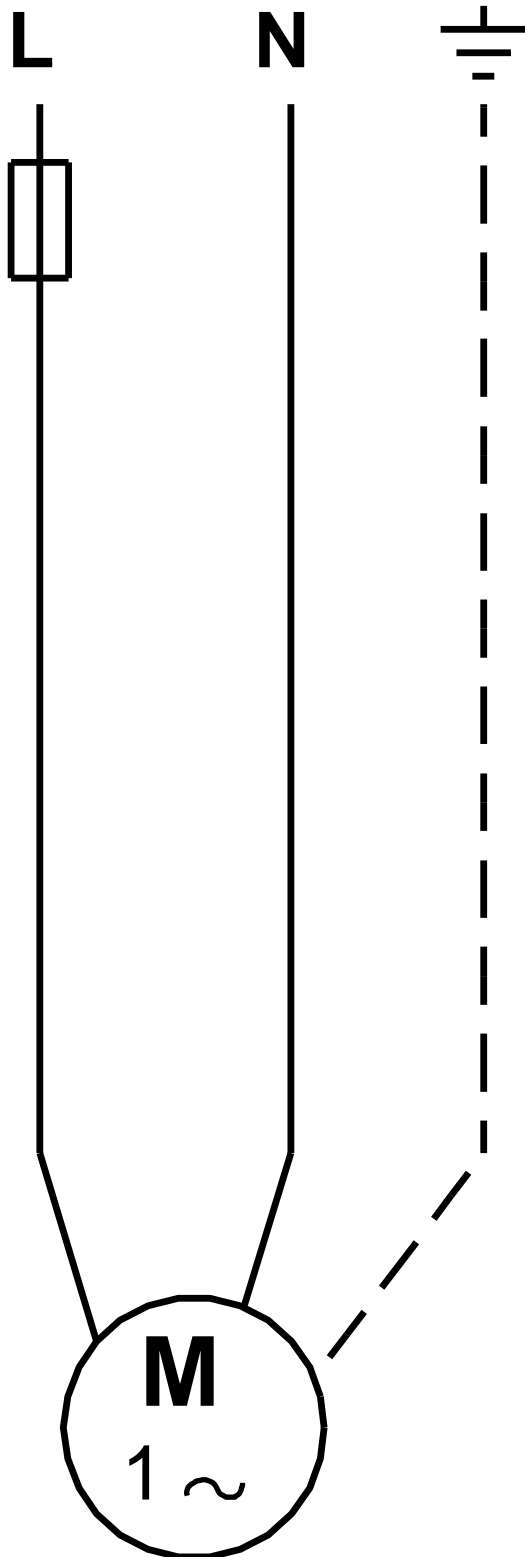
Description	Value
Service factor:	1.15
Rated current:	24.0-22.0 A
Load current:	27.0-25.0 A
Rated speed:	3450 rpm
Number of poles:	2
Enclosure class (IEC 34-5):	IP54
Insulation class (IEC 85):	F
Motor protection:	NONE
Motor Number:	85700012
Controls:	
Frequency converter:	NONE
Others:	
DOE Pump Energy Index CL:	0.87
Net weight:	187 lb
Gross weight:	203 lb
Shipping volume:	13.1 ft ³
Country of origin:	US
Custom tariff no.:	8413.70.2040

96522968 CRN 10-5 A-FGJ-A-V-HQQV 60 Hz



Note! All units are in [in] unless otherwise stated.
Disclaimer: This simplified dimensional drawing does not show all details.

96522968 CRN 10-5 A-FGJ-A-V-HQQV 60 Hz



All units are [in] unless otherwise presented.