
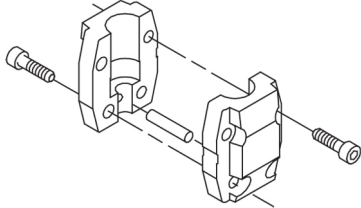
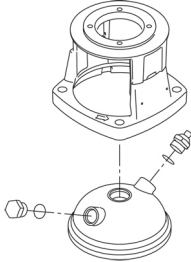
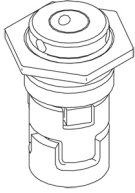


Count	Description
1	<p data-bbox="225 338 550 365">CRN 10-1 A-FGJ-A-V-HQQV</p> <div data-bbox="355 392 472 629" style="text-align: center;">  </div> <p data-bbox="225 660 491 687">Product No.: 96523145</p> <p data-bbox="225 719 1426 819">Vertical, multistage centrifugal pump with inlet and outlet ports on same the level (inline). Pump materials in contact with the liquid are in high-grade stainless steel. A cartridge shaft seal ensures high reliability, safe handling, and easy access and service. Power transmission is via a rigid split coupling. Pipe connection is via combined DIN-ANSI-JIS flanges.</p> <p data-bbox="225 862 959 889">The pump is fitted with a 3-phase, fan-cooled asynchronous motor.</p> <p data-bbox="225 920 544 947">Further product details</p> <p data-bbox="225 956 1453 1057">Steel, cast iron and aluminium components have an epoxy-based coating made in a cathodic electro-deposition (CED) process. CED is a high-quality dip-painting process where an electrical field around the products ensures deposition of paint particles as a thin, well-controlled layer on the surface. An integral part of the process is a pretreatment. The entire process consists of these elements:</p> <ol data-bbox="225 1068 719 1189" style="list-style-type: none"> 1) Alkaline-based cleaning. 2) Zinc phosphating. 3) Cathodic electro-deposition. 4) Curing to a dry film thickness 18-22 my m. <p data-bbox="225 1189 932 1216">The colour code for the finished product is NCS 9000/RAL 9005.</p> <p data-bbox="225 1247 309 1274">Pump</p> <p data-bbox="225 1283 1414 1337">A standard split coupling connects the pump and motor shaft. It is enclosed in the pump head/motor stool by means of two coupling guards.</p> <div data-bbox="225 1346 587 1552" style="text-align: center;">  </div> <p data-bbox="225 1583 1390 1637">The pump head and flange for motor mounting is made in one piece (cast iron). The pump head cover is a separate component (stainless steel). The pump head has a combined 1/2" priming plug and vent screw.</p> <div data-bbox="225 1646 416 1906" style="text-align: center;">  </div> <p data-bbox="225 1937 1426 2036">The pump is fitted with a balanced O-ring seal unit with a rigid torque-transmission system. This seal type is assembled in a cartridge unit which makes replacement safe and easy. Due to the balancing, this seal type is suitable for high-pressure applications. The cartridge construction also protects the pump shaft from possible wear from a dynamic O-ring between pump shaft and shaft seal.</p> <p data-bbox="225 2045 373 2072">Primary seal:</p> <ul data-bbox="261 2076 825 2103" style="list-style-type: none"> • Rotating seal ring material: silicon carbide (SiC)

Count	Description																										
	<ul style="list-style-type: none"> Stationary seat material: silicon carbide (SiC) This material pairing is used where higher corrosion resistance is required. The high hardness of this material pairing offers good resistance against abrasive particles. Secondary seal material: FKM (fluorocarbon rubber) FKM has excellent resistance to oils and chemicals. Above 90 °C, FKM should only be used in media without water.  <p>The shaft seal is screwed into the pump head.</p> <p>The pump has a special air-cooled shaft-seal chamber generating the same insulation effect as that of a vacuum flask. No external cooling is necessary; the ambient temperature is sufficient. An automatic vent vents the pump seal chamber.</p> <p>The chambers and impellers are made of stainless-steel sheet. The chambers are provided with a PTFE neck ring offering improved sealing and high efficiency. The impellers have smooth surfaces, and the shape of the blades ensure a high efficiency.</p> <p>The pump has a stainless steel base mounted on a separate base plate. This base and base plate are kept in position by the tension of the staybolts which hold the pump together. The outlet side of the base has a combined drain plug and bypass valve. The pump is secured to the foundation by four bolts through the base plate. The flanges and base are cast in one piece and prepared for connection by means of DIN, ANSI or JIS.</p> <p>Motor</p> <p>The motor is a totally enclosed, fan-cooled motor with principal dimensions to IEC and DIN standards. The motor is flange-mounted with tapped-hole flange (FT).</p> <p>Motor-mounting designation in accordance with IEC 60034-7: IM B 14 (Code I) / IM 3601 (Code II).</p> <p>Electrical tolerances comply with IEC 60034.</p> <p>The motor efficiency is classified as premium efficiency in accordance with EISA2007.</p> <p>The motor does not incorporate motor protection and must be connected to a motor-protective circuit breaker which can be manually reset. The motor-protective circuit breaker must be set according to the rated current of the motor (I1/1).</p> <p>Technical data</p> <p>Liquid:</p> <table data-bbox="225 1612 718 1736"> <tr> <td>Pumped liquid:</td> <td>Water</td> </tr> <tr> <td>Liquid temperature range:</td> <td>-4 .. 194 °F</td> </tr> <tr> <td>Selected liquid temperature:</td> <td>68 °F</td> </tr> <tr> <td>Density:</td> <td>62.29 lb/ft³</td> </tr> </table> <p>Technical:</p> <table data-bbox="225 1792 790 2060"> <tr> <td>Rated pump speed:</td> <td>3439 rpm</td> </tr> <tr> <td>Rated flow:</td> <td>53.3 US gpm</td> </tr> <tr> <td>Rated head:</td> <td>32.81 ft</td> </tr> <tr> <td>Actual impeller diameter:</td> <td>3.66 in</td> </tr> <tr> <td>Pump orientation:</td> <td>Vertical</td> </tr> <tr> <td>Shaft seal arrangement:</td> <td>Single</td> </tr> <tr> <td>Code for shaft seal:</td> <td>HQQV</td> </tr> <tr> <td>Approvals on nameplate:</td> <td>CURUS</td> </tr> <tr> <td>Curve tolerance:</td> <td>ISO9906:2012 3B</td> </tr> </table>	Pumped liquid:	Water	Liquid temperature range:	-4 .. 194 °F	Selected liquid temperature:	68 °F	Density:	62.29 lb/ft³	Rated pump speed:	3439 rpm	Rated flow:	53.3 US gpm	Rated head:	32.81 ft	Actual impeller diameter:	3.66 in	Pump orientation:	Vertical	Shaft seal arrangement:	Single	Code for shaft seal:	HQQV	Approvals on nameplate:	CURUS	Curve tolerance:	ISO9906:2012 3B
Pumped liquid:	Water																										
Liquid temperature range:	-4 .. 194 °F																										
Selected liquid temperature:	68 °F																										
Density:	62.29 lb/ft³																										
Rated pump speed:	3439 rpm																										
Rated flow:	53.3 US gpm																										
Rated head:	32.81 ft																										
Actual impeller diameter:	3.66 in																										
Pump orientation:	Vertical																										
Shaft seal arrangement:	Single																										
Code for shaft seal:	HQQV																										
Approvals on nameplate:	CURUS																										
Curve tolerance:	ISO9906:2012 3B																										

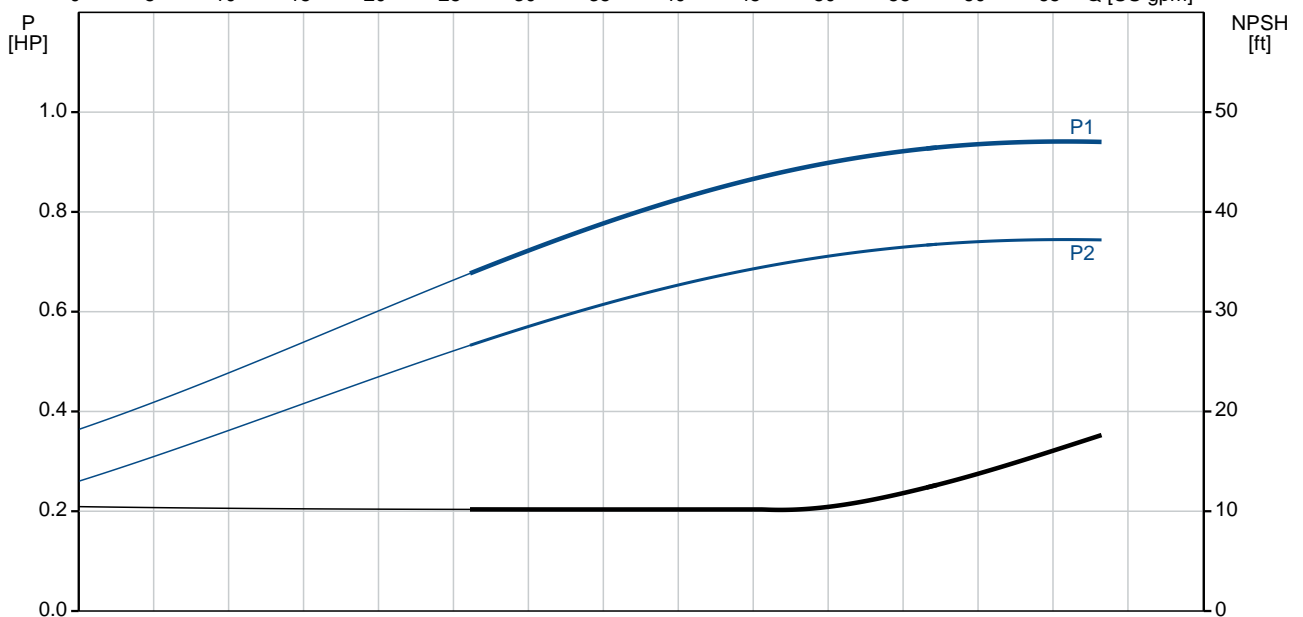
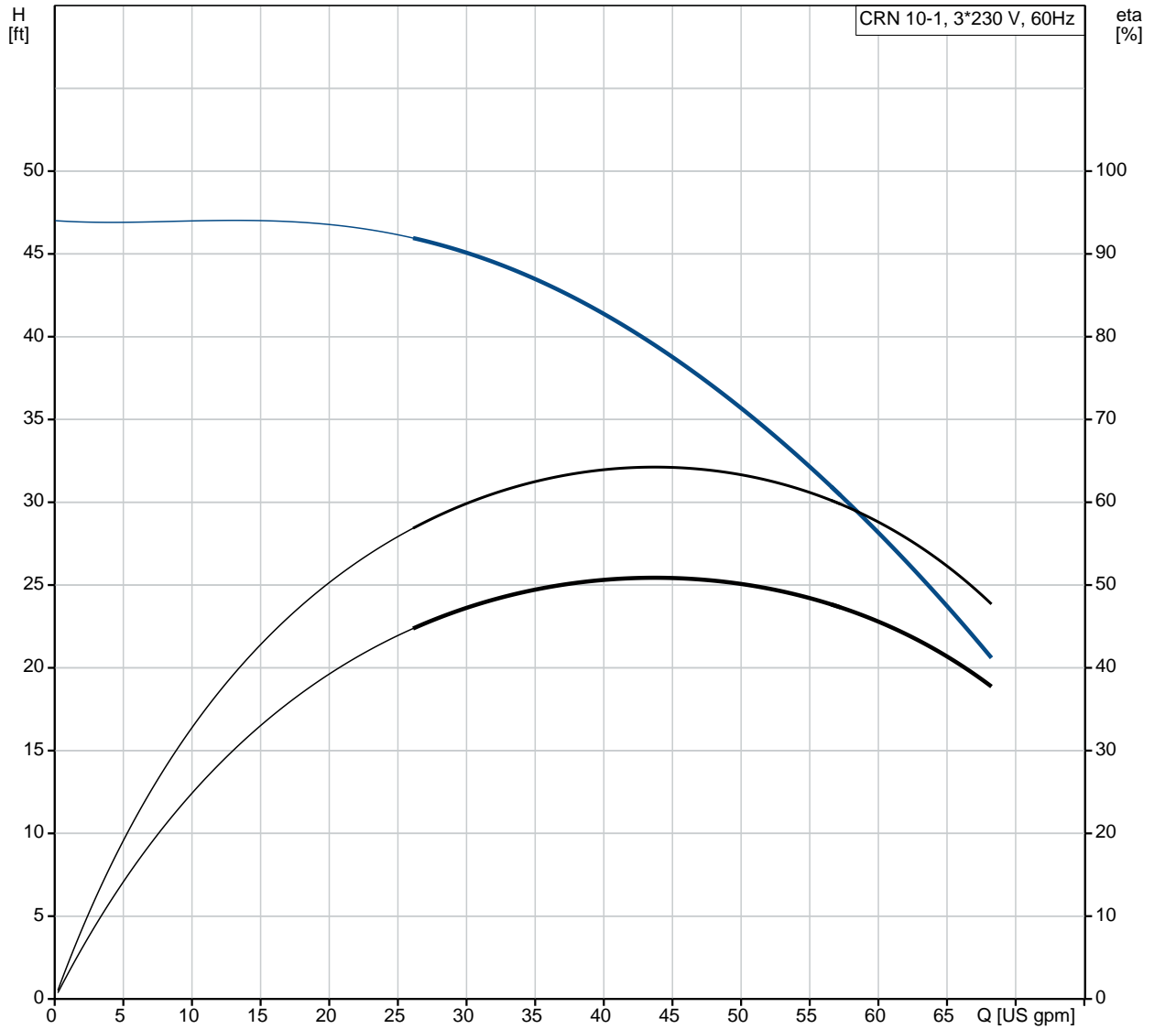
Count	Description
	<p>Materials:</p> <p>Base: Stainless steel EN 1.4408 AISI 316</p> <p>Impeller: Stainless steel EN 1.4401 AISI 316</p> <p>Bearing: SIC</p> <p>Installation:</p> <p>Maximum ambient temperature: 104 °F Maximum operating pressure: 362.59 psi Max pressure at stated temperature: 363 psi / 194 °F 363 psi / -4 °F</p> <p>Type of connection: DIN / ANSI / JIS Size of inlet connection: DN 50 Size of outlet connection: DN 50 Pressure rating for connection: PN 25 Flange rating inlet: 300 lb Flange size for motor: 56C</p> <p>Electrical data:</p> <p>Motor standard: NEMA Motor type: 71BA IE Efficiency class: NEMA Premium / IE3 60Hz Rated power - P2: 0.75 HP Power (P2) required by pump: 0.75 HP Main frequency: 60 Hz Rated voltage: 3 x 208-230YY/460Y V Service factor: 1.25 Rated current: 2,40-2,30/1,20 A Starting current: 590-650 % Cos phi - power factor: 0.84-0.78 Rated speed: 3430-3460 rpm Motor efficiency at full load: 80.6-81.6 % Motor efficiency at 3/4 load: 78.6 % Motor efficiency at 1/2 load: 75.7 % Number of poles: 2 Enclosure class (IEC 34-5): 55 Dust/Jetting Insulation class (IEC 85): F Motor Number: 85900702</p> <p>Controls:</p> <p>Frequency converter: NONE</p> <p>Others:</p> <p>DOE Pump Energy Index CL: 0.87 Net weight: 81.6 lb Gross weight: 97 lb Shipping volume: 4.94 ft³ Country of origin: US Custom tariff no.: 8413.70.2040</p>



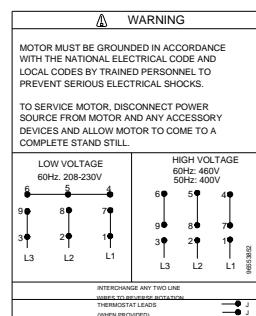
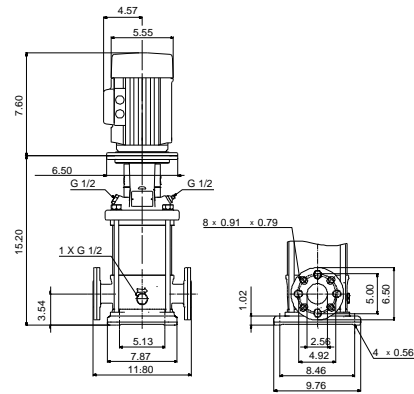
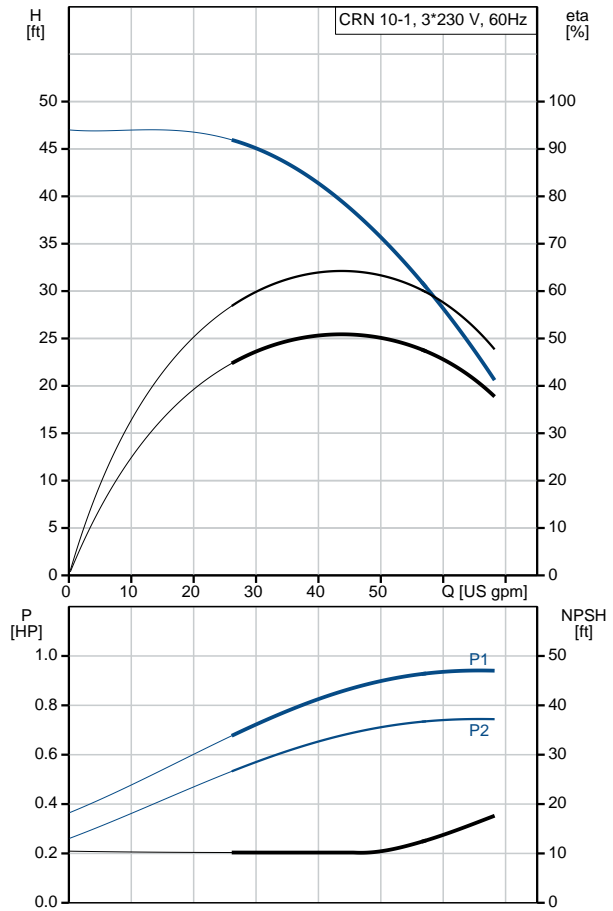
Company name:
Created by:
Phone:

Date: 4/21/2020

96523145 CRN 10-1 A-FGJ-A-V-HQQV 60 Hz



Description	Value
General information:	
Product name:	CRN 10-1 A-FGJ-A-V-HQQV
Product No.:	96523145
EAN:	5700396899084 5700396899084
Technical:	
Rated pump speed:	3439 rpm
Rated flow:	53.3 US gpm
Rated head:	32.81 ft
Maximum head:	46.92 ft
Actual impeller diameter:	3.66 in
Stages:	2
Impellers:	1
Number of reduced-diameter impellers:	0
Low NPSH:	N
Pump orientation:	Vertical
Shaft seal arrangement:	Single
Code for shaft seal:	HQQV
Approvals on nameplate:	CURUS
Curve tolerance:	ISO9906:2012 3B
Pump version:	A
Model:	A
Cooling:	TEFC
Materials:	
Base:	Stainless steel EN 1.4408 AISI 316
Impeller:	Stainless steel EN 1.4401 AISI 316
Material code:	A
Code for rubber:	V
Bearing:	SIC
Installation:	
Maximum ambient temperature:	104 °F
Maximum operating pressure:	362.59 psi
Max pressure at stated temperature:	363 psi / 194 °F 363 psi / -4 °F
Type of connection:	DIN / ANSI / JIS
Size of inlet connection:	DN 50
Size of outlet connection:	DN 50
Pressure rating for connection:	PN 25
Flange rating inlet:	300 lb
Flange size for motor:	56C
Connect code:	FGJ
Liquid:	
Pumped liquid:	Water
Liquid temperature range:	-4 .. 194 °F
Selected liquid temperature:	68 °F
Density:	62.29 lb/ft ³
Electrical data:	
Motor standard:	NEMA
Motor type:	71BA
IE Efficiency class:	NEMA Premium / IE3 60Hz
Rated power - P2:	0.75 HP
Power (P2) required by pump:	0.75 HP
Main frequency:	60 Hz





Company name:

Created by:

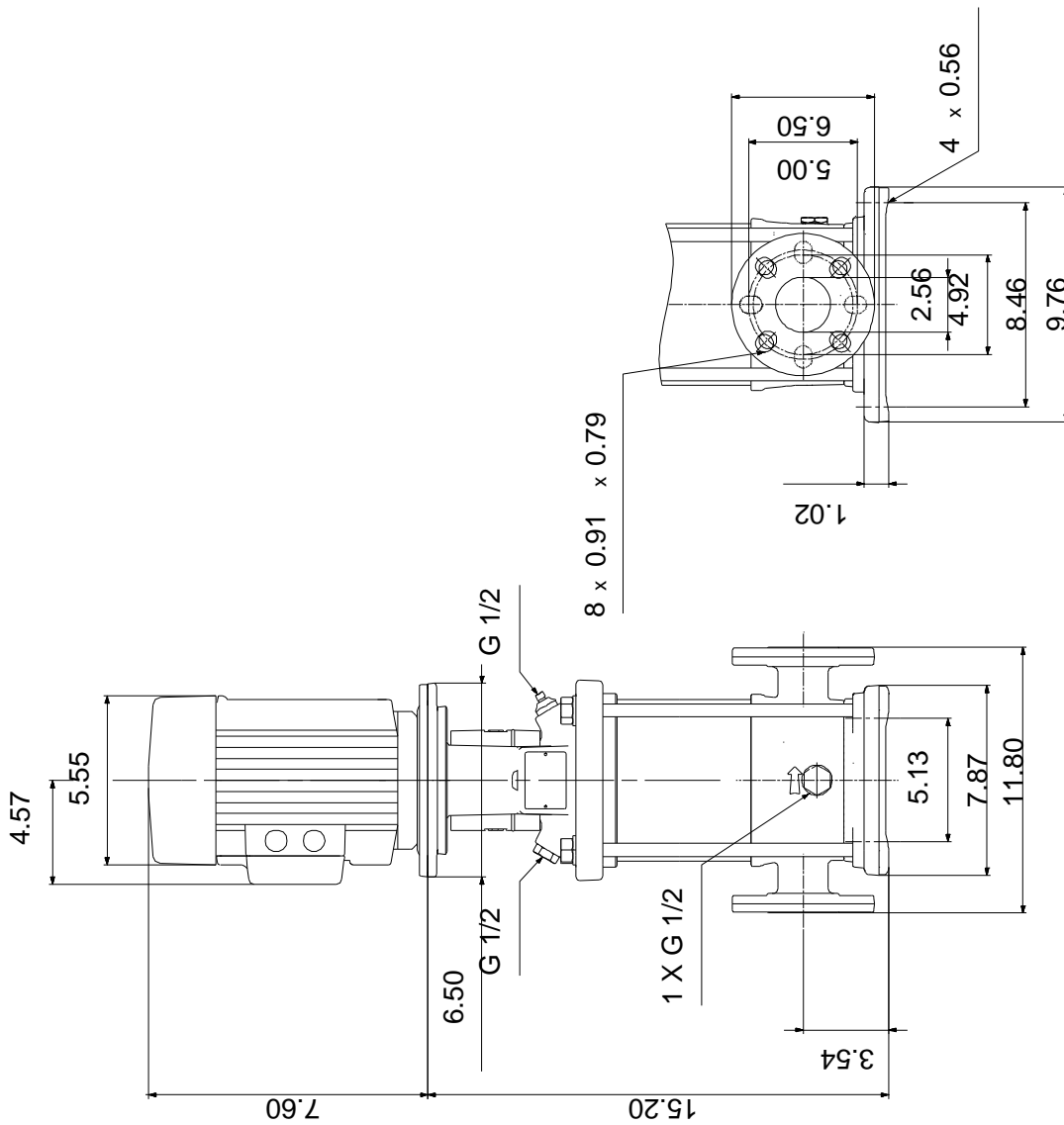
Phone:

Date:

4/21/2020

Description	Value
Rated voltage:	3 x 208-230YY/460Y V
Service factor:	1.25
Rated current:	2,40-2,30/1,20 A
Starting current:	590-650 %
Load current:	2,9-2,75/1,4 A
Cos phi - power factor:	0.84-0.78
Rated speed:	3430-3460 rpm
Motor efficiency at full load:	80.6-81.6 %
Motor efficiency at 3/4 load:	78.6 %
Motor efficiency at 1/2 load:	75.7 %
Number of poles:	2
Enclosure class (IEC 34-5):	55 Dust/Jetting
Insulation class (IEC 85):	F
Motor protection:	NONE
Motor Number:	85900702
Controls:	
Frequency converter:	NONE
Others:	
DOE Pump Energy Index CL:	0.87
Net weight:	81.6 lb
Gross weight:	97 lb
Shipping volume:	4.94 ft ³
Country of origin:	US
Custom tariff no.:	8413.70.2040

96523145 CRN 10-1 A-FGJ-A-V-HQQV 60 Hz



Note! All units are in [in] unless otherwise stated.
 Disclaimer: This simplified dimensional drawing does not show all details.

96523145 CRN 10-1 A-FGJ-A-V-HQQV 60 Hz



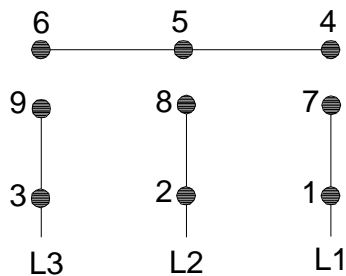
WARNING

MOTOR MUST BE GROUNDED IN ACCORDANCE WITH THE NATIONAL ELECTRICAL CODE AND LOCAL CODES BY TRAINED PERSONNEL TO PREVENT SERIOUS ELECTRICAL SHOCKS.

TO SERVICE MOTOR, DISCONNECT POWER SOURCE FROM MOTOR AND ANY ACCESSORY DEVICES AND ALLOW MOTOR TO COME TO A COMPLETE STAND STILL.

LOW VOLTAGE

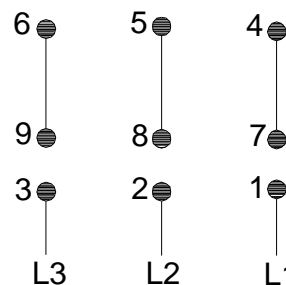
60Hz. 208-230V



HIGH VOLTAGE

60Hz: 460V

50Hz: 400V



96553852

INTERCHANGE ANY TWO LINE WIRES TO REVERSE ROTATION
THERMOSTAT LEADS
(WHEN PROVIDED)

