

PROJECT: _____	UNIT TAG: _____	QUANTITY: _____
REPRESENTATIVE: _____	TYPE OF SERVICE: _____	DATE: _____
ENGINEER: _____	SUBMITTED BY: _____	DATE: _____
CONTRACTOR: _____	APPROVED BY: _____	DATE: _____
	ORDER NO.: _____	DATE: _____

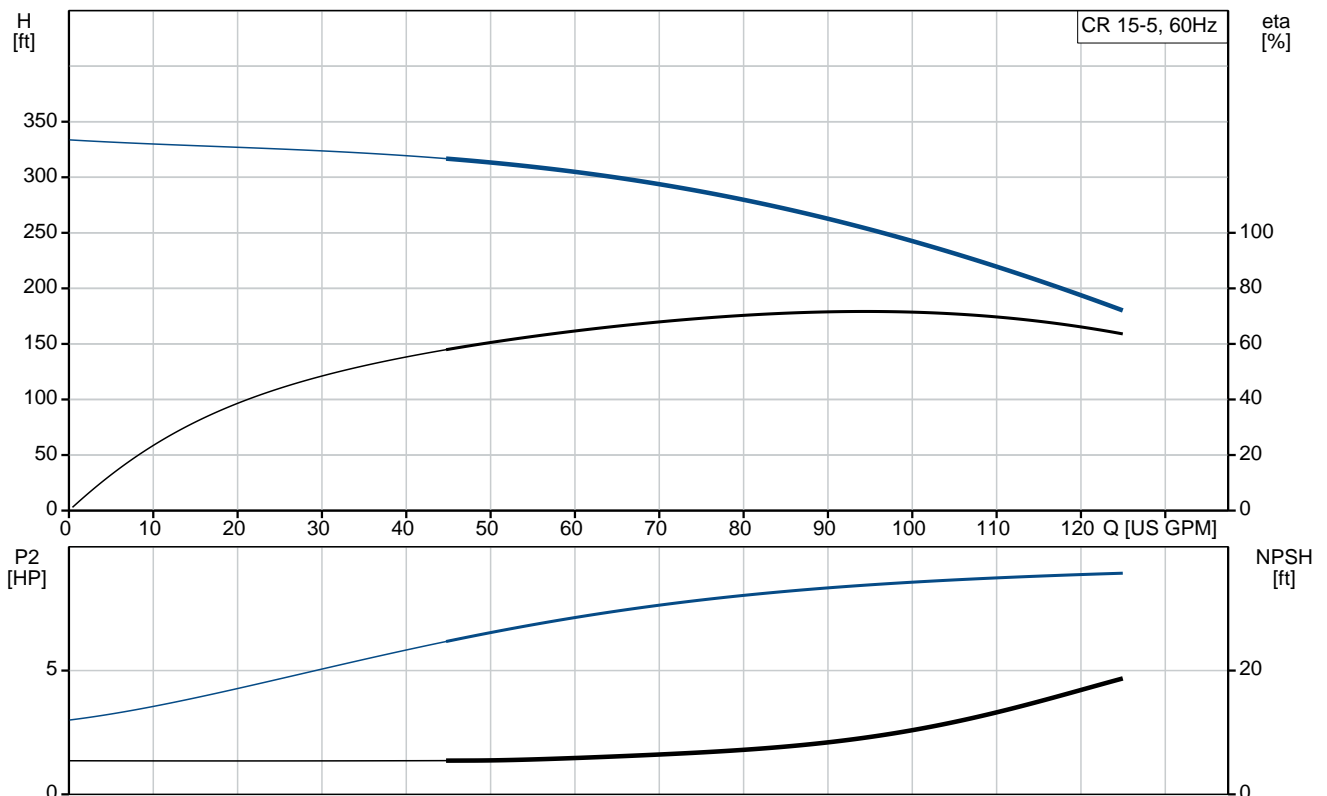


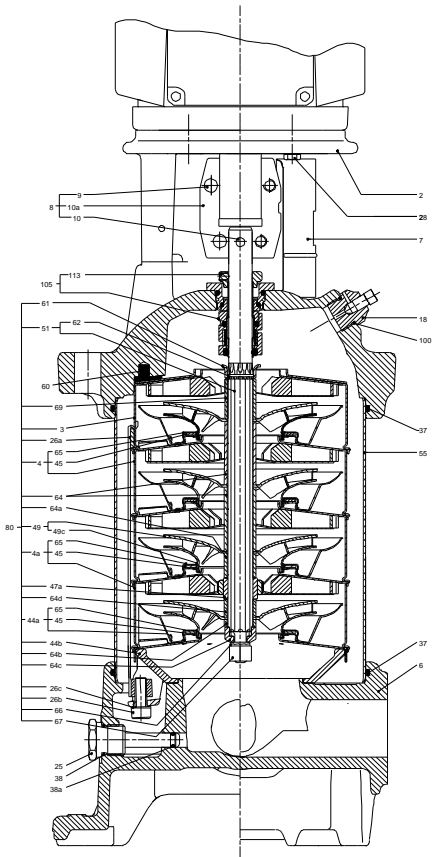
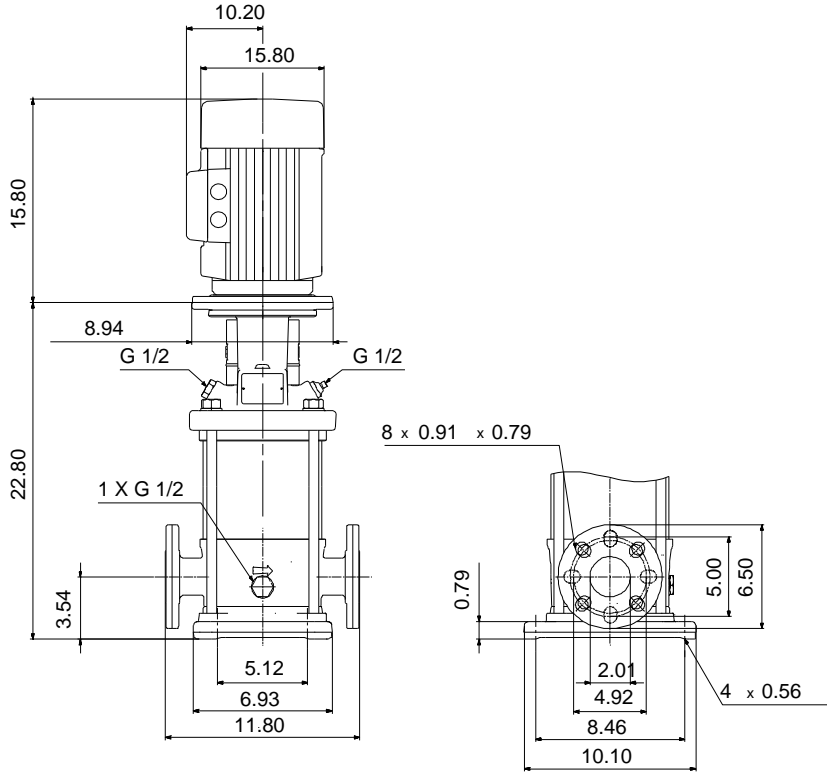
### CR 15-5 A-GJ-A-E-HQQE

Vertical, multistage centrifugal pump with suction and discharge ports on the same level. The pump head and base are in cast iron - all other wetted parts are in stainless steel (EN 1.4301)

Note! Product picture may differ from actual product


Conditions of Service	Pump Data	Motor Data
Flow: _____	Max pressure at stated temp: 232 psi / 250 °F	Rated power - P2: 10 HP
Head: _____	Liquid temperature range: -4 .. 248 °F	Rated voltage: 230 V
Efficiency: _____	Maximum ambient temperature: 104 °F	Mains frequency: 60 Hz
Liquid: Water	Approvals: CURUS	Insulation class: F
Temperature: 68 °F	Shaft seal: HQQE	Motor protection: NONE
NPSH required: ft	Product number: 96523534	Motor type: BALDOR
Viscosity: _____		
Specific Gravity: 1.000		





**Materials:**

- Base: Cast iron  
EN 1561 EN-GJL-200  
ASTM A48-25B
- Impeller: Stainless steel  
AISI 304  
EN 1.4301
- Material code: A
- Code for rubber: E

Qty.	Description																																																		
1	<p data-bbox="199 336 494 369"><b>CR 15-5 A-GJ-A-E-HQQE</b></p>  <p data-bbox="199 660 470 689">Product No.: <a href="#">96523534</a></p> <p data-bbox="199 721 1460 824">Vertical, multistage centrifugal pump with inlet and outlet ports on same the level (inline). The pump head and base are in cast iron – all other wetted parts are in stainless steel. A cartridge shaft seal ensures high reliability, safe handling, and easy access and service. Power transmission is via a rigid split coupling. Pipe connection is via combined ANSI-JIS flanges.</p> <p data-bbox="199 862 933 891">The pump is fitted with a 1-phase, fan-cooled asynchronous motor.</p> <p data-bbox="199 952 287 981"><b>Liquid:</b></p> <table data-bbox="199 981 694 1102"> <tr> <td>Pumped liquid:</td> <td>Water</td> </tr> <tr> <td>Liquid temperature range:</td> <td>-4 .. 248 °F</td> </tr> <tr> <td>Selected liquid temperature:</td> <td>68 °F</td> </tr> <tr> <td>Density:</td> <td>62.29 lb/ft<sup>3</sup></td> </tr> </table> <p data-bbox="199 1131 327 1160"><b>Technical:</b></p> <table data-bbox="199 1160 821 1429"> <tr> <td>Pump speed on which pump data are based:</td> <td>3500 rpm</td> </tr> <tr> <td>Rated flow:</td> <td>90.3 US GPM</td> </tr> <tr> <td>Rated head:</td> <td>262.2 ft</td> </tr> <tr> <td>Actual impeller diameter:</td> <td>4.13 in</td> </tr> <tr> <td>Pump orientation:</td> <td>Vertical</td> </tr> <tr> <td>Shaft seal arrangement:</td> <td>Single</td> </tr> <tr> <td>Code for shaft seal:</td> <td>HQQE</td> </tr> <tr> <td>Approvals on nameplate:</td> <td>CURUS</td> </tr> <tr> <td>Curve tolerance:</td> <td>ISO9906:2012 3B</td> </tr> </table> <p data-bbox="199 1456 319 1485"><b>Materials:</b></p> <table data-bbox="199 1485 805 1697"> <tr> <td>Base:</td> <td>Cast iron EN 1561 EN-GJL-200 ASTM A48-25B</td> </tr> <tr> <td>Impeller:</td> <td>Stainless steel EN 1.4301 AISI 304</td> </tr> <tr> <td>Bearing:</td> <td>SIC</td> </tr> </table> <p data-bbox="199 1724 343 1753"><b>Installation:</b></p> <table data-bbox="199 1753 750 2056"> <tr> <td>Maximum ambient temperature:</td> <td>104 °F</td> </tr> <tr> <td>Maximum operating pressure:</td> <td>232.06 psi</td> </tr> <tr> <td>Max pressure at stated temp:</td> <td>232 psi / 250 °F 232 psi / -4 °F</td> </tr> <tr> <td>Type of connection:</td> <td>ANSI / JIS</td> </tr> <tr> <td>Size of inlet connection:</td> <td>DN 50</td> </tr> <tr> <td>Size of outlet connection:</td> <td>DN 50</td> </tr> <tr> <td>Pressure rating for connection:</td> <td>PN 25</td> </tr> <tr> <td>Flange rating inlet:</td> <td>300 lb</td> </tr> <tr> <td>Flange size for motor:</td> <td>213TC</td> </tr> </table> <p data-bbox="199 2078 383 2107"><b>Electrical data:</b></p>	Pumped liquid:	Water	Liquid temperature range:	-4 .. 248 °F	Selected liquid temperature:	68 °F	Density:	62.29 lb/ft <sup>3</sup>	Pump speed on which pump data are based:	3500 rpm	Rated flow:	90.3 US GPM	Rated head:	262.2 ft	Actual impeller diameter:	4.13 in	Pump orientation:	Vertical	Shaft seal arrangement:	Single	Code for shaft seal:	HQQE	Approvals on nameplate:	CURUS	Curve tolerance:	ISO9906:2012 3B	Base:	Cast iron EN 1561 EN-GJL-200 ASTM A48-25B	Impeller:	Stainless steel EN 1.4301 AISI 304	Bearing:	SIC	Maximum ambient temperature:	104 °F	Maximum operating pressure:	232.06 psi	Max pressure at stated temp:	232 psi / 250 °F 232 psi / -4 °F	Type of connection:	ANSI / JIS	Size of inlet connection:	DN 50	Size of outlet connection:	DN 50	Pressure rating for connection:	PN 25	Flange rating inlet:	300 lb	Flange size for motor:	213TC
Pumped liquid:	Water																																																		
Liquid temperature range:	-4 .. 248 °F																																																		
Selected liquid temperature:	68 °F																																																		
Density:	62.29 lb/ft <sup>3</sup>																																																		
Pump speed on which pump data are based:	3500 rpm																																																		
Rated flow:	90.3 US GPM																																																		
Rated head:	262.2 ft																																																		
Actual impeller diameter:	4.13 in																																																		
Pump orientation:	Vertical																																																		
Shaft seal arrangement:	Single																																																		
Code for shaft seal:	HQQE																																																		
Approvals on nameplate:	CURUS																																																		
Curve tolerance:	ISO9906:2012 3B																																																		
Base:	Cast iron EN 1561 EN-GJL-200 ASTM A48-25B																																																		
Impeller:	Stainless steel EN 1.4301 AISI 304																																																		
Bearing:	SIC																																																		
Maximum ambient temperature:	104 °F																																																		
Maximum operating pressure:	232.06 psi																																																		
Max pressure at stated temp:	232 psi / 250 °F 232 psi / -4 °F																																																		
Type of connection:	ANSI / JIS																																																		
Size of inlet connection:	DN 50																																																		
Size of outlet connection:	DN 50																																																		
Pressure rating for connection:	PN 25																																																		
Flange rating inlet:	300 lb																																																		
Flange size for motor:	213TC																																																		



Company name:

Created by:

Phone:

Date:

27/04/2020

Qty.	Description
	<p>Motor standard: NEMA Motor type: BALDOR Rated power - P2: 10 HP Power (P2) required by pump: 10 HP Mains frequency: 60 Hz Rated voltage: 1 x 230 V Service factor: 1.15 Rated current: 40 A Rated speed: 3525 rpm Number of poles: 2 Insulation class (IEC 85): F Motor No: 85700022</p>
	<p><b>Controls:</b></p>
	<p>Frequency converter: NONE</p>
	<p><b>Others:</b></p>
	<p>DOE Pump Energy Index CL: 0.91</p>
	<p>Net weight: 258 lb</p>
	<p>Gross weight: 373 lb</p>
	<p>Shipping volume: 21.9 ft<sup>3</sup></p>
	<p>Country of origin: US</p>
	<p>Custom tariff no.: 8413.70.2040</p>



Company name:

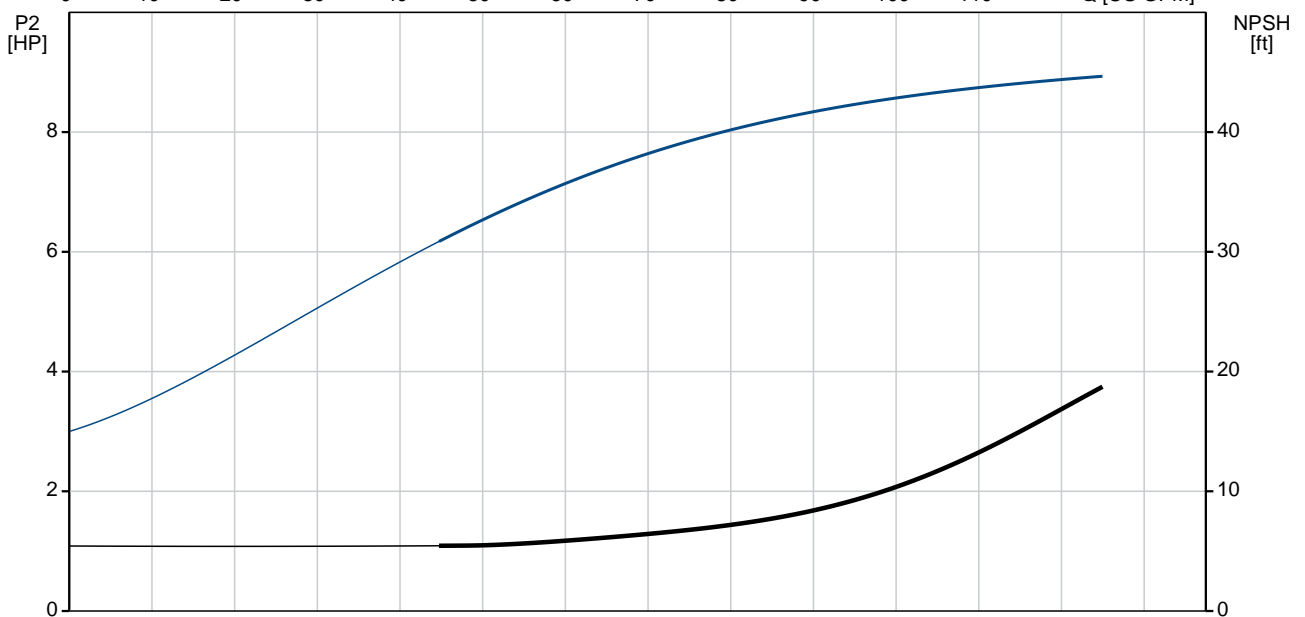
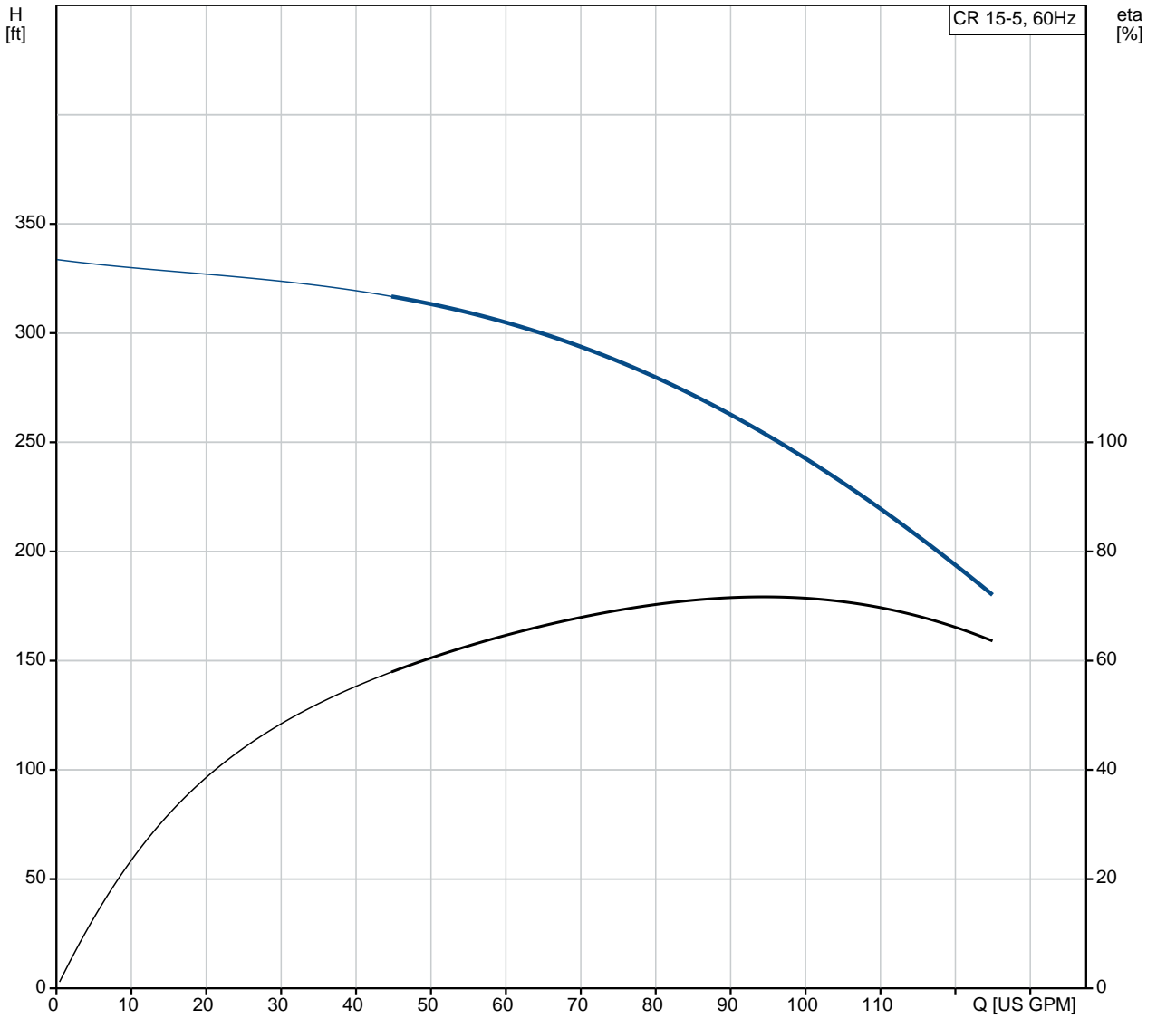
Created by:

Phone:

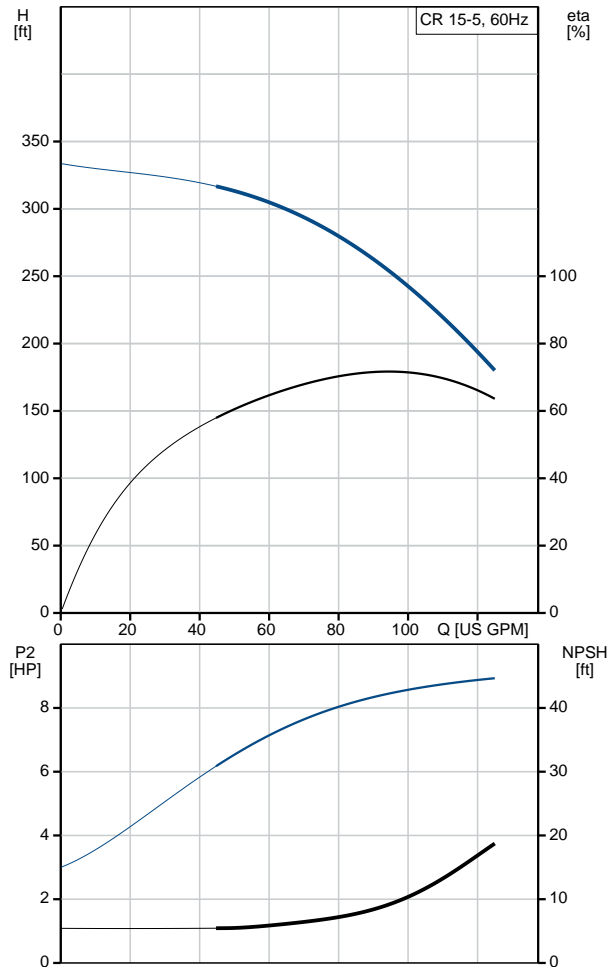
Date:

27/04/2020

### 96523534 CR 15-5 A-GJ-A-E-HQQE 60 Hz



Description	Value
<b>General information:</b>	
Product name:	CR 15-5 A-GJ-A-E-HQQE
Product No:	96523534
EAN number:	5700396906546 5700396906546
<b>Technical:</b>	
Pump speed on which pump data are based:	3500 rpm
Rated flow:	90.3 US GPM
Rated head:	262.2 ft
Maximum head:	334.7 ft
Actual impeller diameter:	4.13 in
Stages:	5
Impellers:	5
Number of reduced-diameter impellers:	0
Low NPSH:	N
Pump orientation:	Vertical
Shaft seal arrangement:	Single
Code for shaft seal:	HQQE
Approvals on nameplate:	CURUS
Curve tolerance:	ISO9906:2012 3B
Pump version:	A
Model:	A
Cooling:	TEFC
<b>Materials:</b>	
Base:	Cast iron EN 1561 EN-GJL-200 ASTM A48-25B
Impeller:	Stainless steel EN 1.4301 AISI 304
Material code:	A
Code for rubber:	E
Bearing:	SIC
<b>Installation:</b>	
Maximum ambient temperature:	104 °F
Maximum operating pressure:	232.06 psi
Max pressure at stated temp:	232 psi / 250 °F 232 psi / -4 °F
Type of connection:	ANSI / JIS
Size of inlet connection:	DN 50
Size of outlet connection:	DN 50
Pressure rating for connection:	PN 25
Flange rating inlet:	300 lb
Flange size for motor:	213TC
Connect code:	GJ
<b>Liquid:</b>	
Pumped liquid:	Water
Liquid temperature range:	-4 .. 248 °F
Selected liquid temperature:	68 °F
Density:	62.29 lb/ft³
<b>Electrical data:</b>	
Motor standard:	NEMA
Motor type:	BALDOR
Rated power - P2:	10 HP
Power (P2) required by pump:	10 HP
Mains frequency:	60 Hz
Rated voltage:	1 x 230 V





Company name:

Created by:

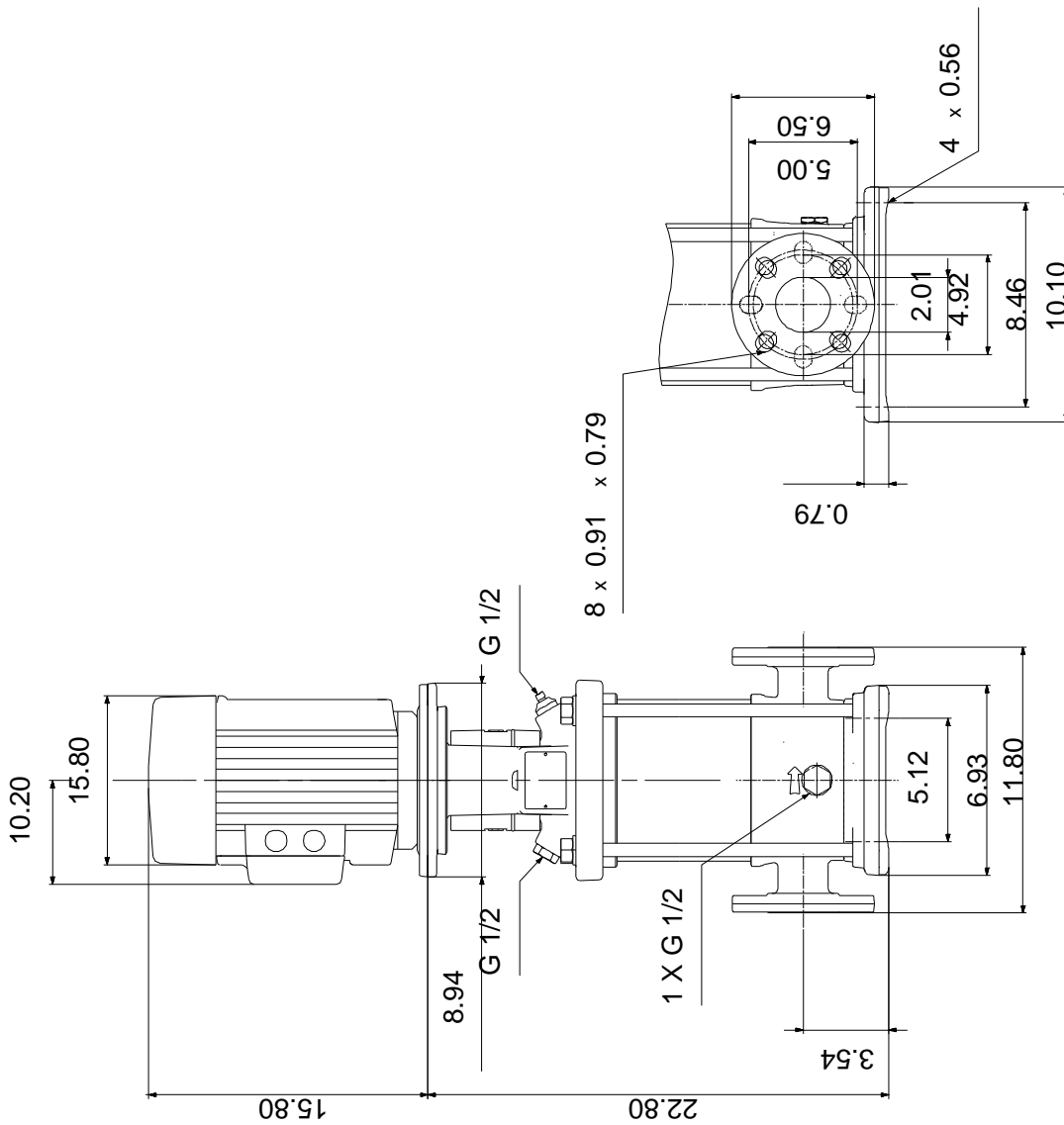
Phone:

Date:

27/04/2020

Description	Value
Service factor:	1.15
Rated current:	40 A
Load current:	46 A
Rated speed:	3525 rpm
Number of poles:	2
Insulation class (IEC 85):	F
Motor protec:	NONE
Motor No:	85700022
<b>Controls:</b>	
Frequency converter:	NONE
<b>Others:</b>	
DOE Pump Energy Index CL:	0.91
Net weight:	258 lb
Gross weight:	373 lb
Shipping volume:	21.9 ft <sup>3</sup>
Country of origin:	US
Custom tariff no.:	8413.70.2040

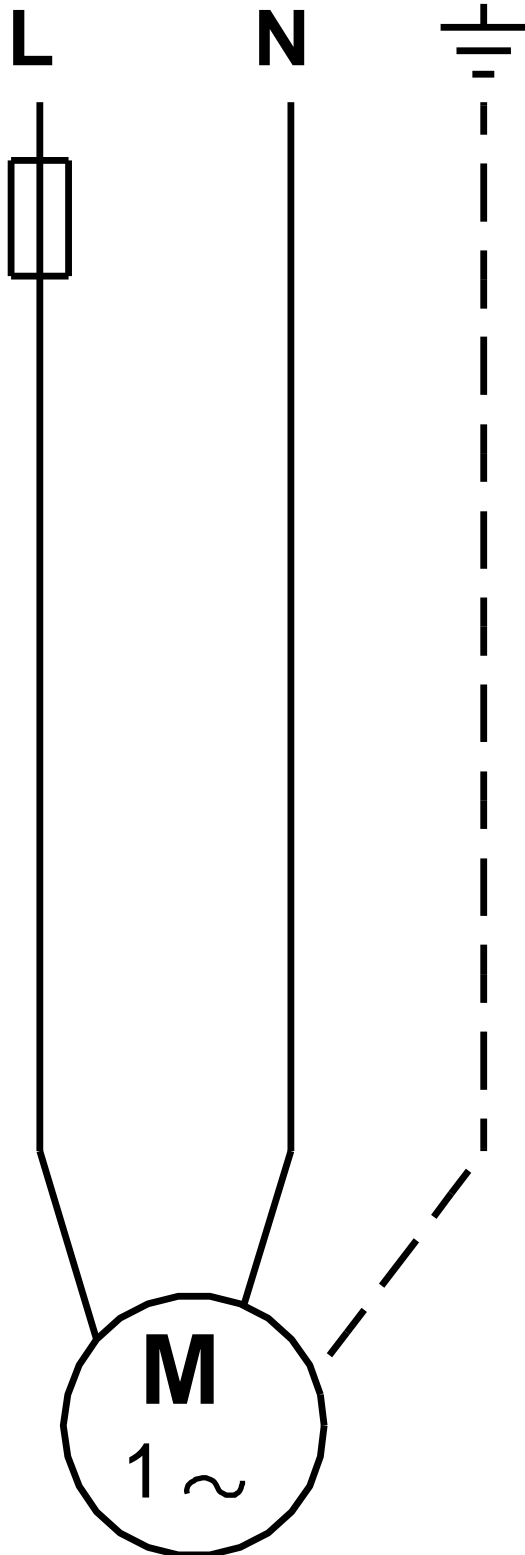
## 96523534 CR 15-5 A-GJ-A-E-HQQE 60 Hz



Note! All units are in [in] unless others are stated.  
 Disclaimer: This simplified dimensional drawing does not show all details.



**96523534 CR 15-5 A-GJ-A-E-HQQE 60 Hz**



Note! All units are in [in] unless others are stated.