

PROJECT: _____	UNIT TAG: _____	QUANTITY: _____
REPRESENTATIVE: _____	TYPE OF SERVICE: _____	DATE: _____
ENGINEER: _____	SUBMITTED BY: _____	DATE: _____
CONTRACTOR: _____	APPROVED BY: _____	DATE: _____
	ORDER NO.: _____	DATE: _____

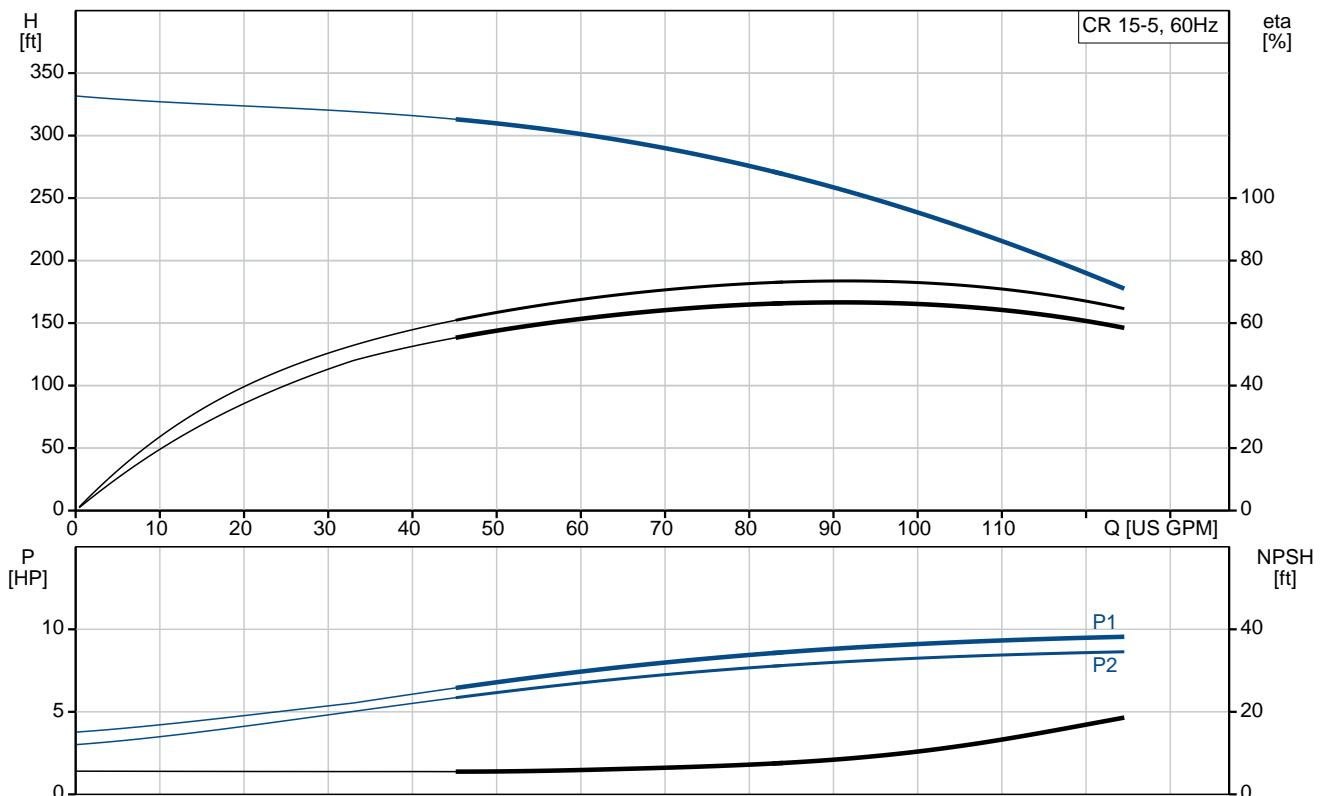


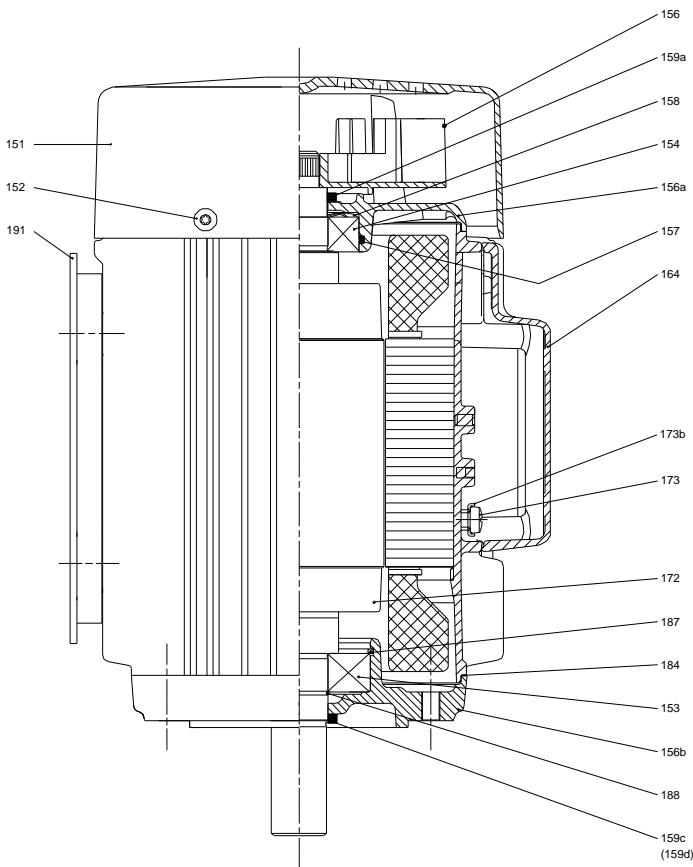
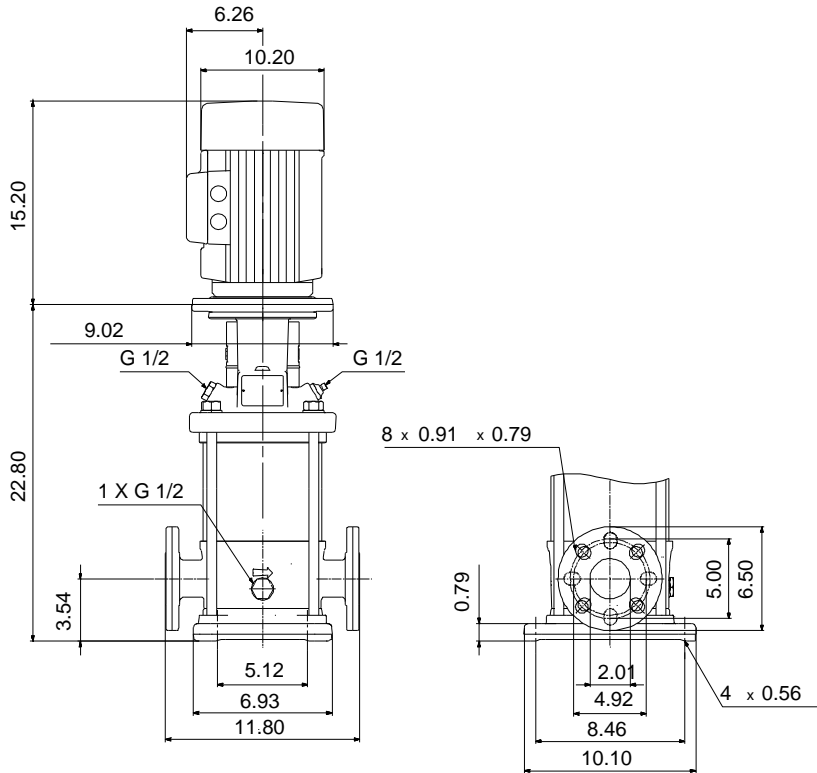
CR 15-5 A-GJ-A-V-HQQV

Vertical, multistage centrifugal pump with suction and discharge ports on the same level. The pump head and base are in cast iron - all other wetted parts are in stainless steel (EN 1.4301)

Note! Product picture may differ from actual product


Conditions of Service	Pump Data	Motor Data
Flow: _____	Max pressure at stated temp: 232 psi / 194 °F	Rated power - P2: 10 HP
Head: _____	Liquid temperature range: -4 .. 194 °F	Rated voltage: 208-230YY/460Y V
Efficiency: _____	Maximum ambient temperature: 140 °F	Mains frequency: 60 Hz
Liquid: Water	Approvals: CURUS	Enclosure class: 55 Dust/Jetting
Temperature: 68 °F	Shaft seal: HQQV	Insulation class: F
NPSH required: ft	Product number: 96523632	Motor protection: PTC
Viscosity: _____		Motor type: 132FA
Specific Gravity: 1.000		Motor_efficiency: 90.0-90.2 %





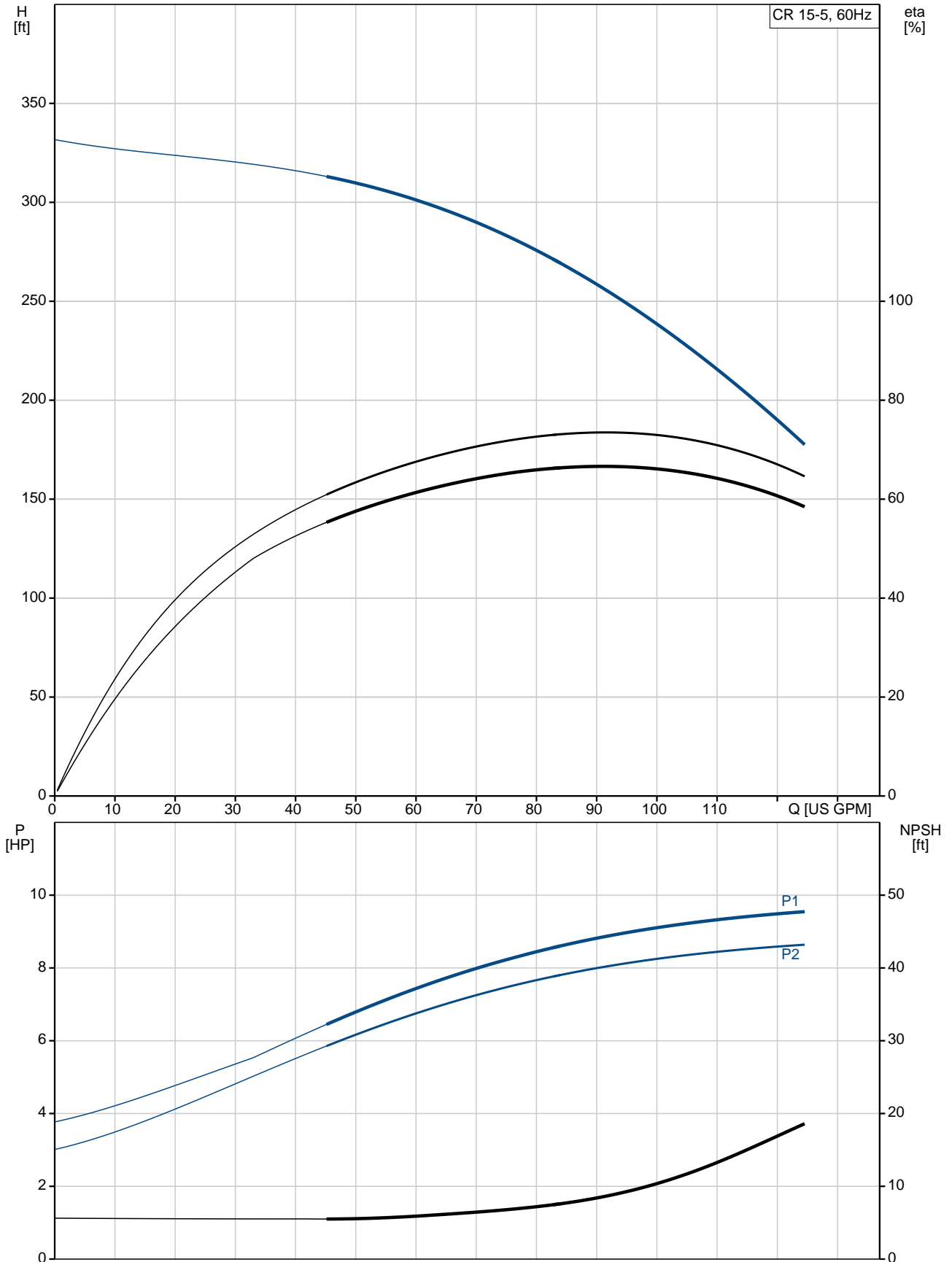
Materials:

- Base: Cast iron
EN 1561 EN-GJL-200
ASTM A48-25B
- Impeller: Stainless steel
AISI 304
EN 1.4301
- Material code: A
- Code for rubber: V

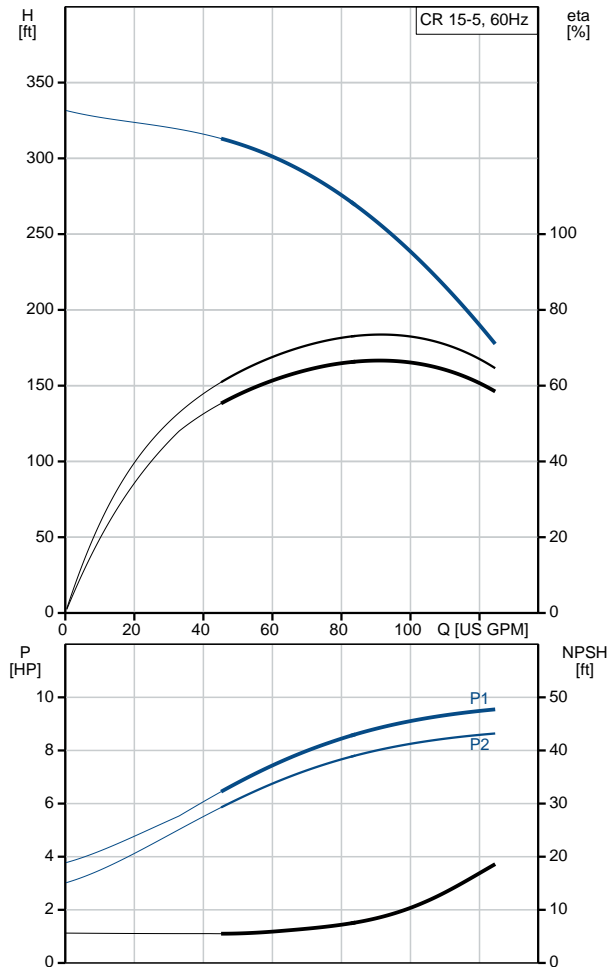
Qty.	Description																																																		
1	<p data-bbox="199 336 494 369">CR 15-5 A-GJ-A-V-HQQV</p>  <p data-bbox="199 660 470 683">Product No.: 96523632</p> <p data-bbox="199 716 1460 817">Vertical, multistage centrifugal pump with inlet and outlet ports on same the level (inline). The pump head and base are in cast iron – all other wetted parts are in stainless steel. A cartridge shaft seal ensures high reliability, safe handling, and easy access and service. Power transmission is via a rigid split coupling. Pipe connection is via combined ANSI-JIS flanges.</p> <p data-bbox="199 862 933 884">The pump is fitted with a 3-phase, fan-cooled asynchronous motor.</p> <p data-bbox="199 952 287 974">Liquid:</p> <table data-bbox="199 981 694 1097"> <tr> <td>Pumped liquid:</td> <td>Water</td> </tr> <tr> <td>Liquid temperature range:</td> <td>-4 .. 194 °F</td> </tr> <tr> <td>Selected liquid temperature:</td> <td>68 °F</td> </tr> <tr> <td>Density:</td> <td>62.29 lb/ft³</td> </tr> </table> <p data-bbox="199 1131 327 1153">Technical:</p> <table data-bbox="199 1160 821 1422"> <tr> <td>Pump speed on which pump data are based:</td> <td>3470 rpm</td> </tr> <tr> <td>Rated flow:</td> <td>90.3 US GPM</td> </tr> <tr> <td>Rated head:</td> <td>254.6 ft</td> </tr> <tr> <td>Actual impeller diameter:</td> <td>4.13 in</td> </tr> <tr> <td>Pump orientation:</td> <td>Vertical</td> </tr> <tr> <td>Shaft seal arrangement:</td> <td>Single</td> </tr> <tr> <td>Code for shaft seal:</td> <td>HQQV</td> </tr> <tr> <td>Approvals on nameplate:</td> <td>CURUS</td> </tr> <tr> <td>Curve tolerance:</td> <td>ISO9906:2012 3B</td> </tr> </table> <p data-bbox="199 1456 319 1478">Materials:</p> <table data-bbox="199 1485 805 1691"> <tr> <td>Base:</td> <td>Cast iron EN 1561 EN-GJL-200 ASTM A48-25B</td> </tr> <tr> <td>Impeller:</td> <td>Stainless steel EN 1.4301 AISI 304</td> </tr> <tr> <td>Bearing:</td> <td>SIC</td> </tr> </table> <p data-bbox="199 1724 343 1747">Installation:</p> <table data-bbox="199 1753 750 2049"> <tr> <td>Maximum ambient temperature:</td> <td>140 °F</td> </tr> <tr> <td>Maximum operating pressure:</td> <td>232.06 psi</td> </tr> <tr> <td>Max pressure at stated temp:</td> <td>232 psi / 194 °F 232 psi / -4 °F</td> </tr> <tr> <td>Type of connection:</td> <td>ANSI / JIS</td> </tr> <tr> <td>Size of inlet connection:</td> <td>DN 50</td> </tr> <tr> <td>Size of outlet connection:</td> <td>DN 50</td> </tr> <tr> <td>Pressure rating for connection:</td> <td>PN 25</td> </tr> <tr> <td>Flange rating inlet:</td> <td>300 lb</td> </tr> <tr> <td>Flange size for motor:</td> <td>213TC</td> </tr> </table> <p data-bbox="199 2083 383 2105">Electrical data:</p>	Pumped liquid:	Water	Liquid temperature range:	-4 .. 194 °F	Selected liquid temperature:	68 °F	Density:	62.29 lb/ft³	Pump speed on which pump data are based:	3470 rpm	Rated flow:	90.3 US GPM	Rated head:	254.6 ft	Actual impeller diameter:	4.13 in	Pump orientation:	Vertical	Shaft seal arrangement:	Single	Code for shaft seal:	HQQV	Approvals on nameplate:	CURUS	Curve tolerance:	ISO9906:2012 3B	Base:	Cast iron EN 1561 EN-GJL-200 ASTM A48-25B	Impeller:	Stainless steel EN 1.4301 AISI 304	Bearing:	SIC	Maximum ambient temperature:	140 °F	Maximum operating pressure:	232.06 psi	Max pressure at stated temp:	232 psi / 194 °F 232 psi / -4 °F	Type of connection:	ANSI / JIS	Size of inlet connection:	DN 50	Size of outlet connection:	DN 50	Pressure rating for connection:	PN 25	Flange rating inlet:	300 lb	Flange size for motor:	213TC
Pumped liquid:	Water																																																		
Liquid temperature range:	-4 .. 194 °F																																																		
Selected liquid temperature:	68 °F																																																		
Density:	62.29 lb/ft³																																																		
Pump speed on which pump data are based:	3470 rpm																																																		
Rated flow:	90.3 US GPM																																																		
Rated head:	254.6 ft																																																		
Actual impeller diameter:	4.13 in																																																		
Pump orientation:	Vertical																																																		
Shaft seal arrangement:	Single																																																		
Code for shaft seal:	HQQV																																																		
Approvals on nameplate:	CURUS																																																		
Curve tolerance:	ISO9906:2012 3B																																																		
Base:	Cast iron EN 1561 EN-GJL-200 ASTM A48-25B																																																		
Impeller:	Stainless steel EN 1.4301 AISI 304																																																		
Bearing:	SIC																																																		
Maximum ambient temperature:	140 °F																																																		
Maximum operating pressure:	232.06 psi																																																		
Max pressure at stated temp:	232 psi / 194 °F 232 psi / -4 °F																																																		
Type of connection:	ANSI / JIS																																																		
Size of inlet connection:	DN 50																																																		
Size of outlet connection:	DN 50																																																		
Pressure rating for connection:	PN 25																																																		
Flange rating inlet:	300 lb																																																		
Flange size for motor:	213TC																																																		

Qty.	Description
	<p>Motor standard: NEMA</p> <p>Motor type: 132FA</p> <p>IE Efficiency class: NEMA Premium / IE3 60Hz</p> <p>Rated power - P2: 10 HP</p> <p>Power (P2) required by pump: 10 HP</p> <p>Mains frequency: 60 Hz</p> <p>Rated voltage: 3 x 208-230YY/460Y V</p> <p>Service factor: 1.15</p> <p>Rated current: 26,5-24,6/12,4 A</p> <p>Starting current: 680-900 %</p> <p>Cos phi - power factor: 0.87</p> <p>Rated speed: 3480-3500 rpm</p> <p>Efficiency: IE3 90,2%</p> <p>Motor efficiency at full load: 90.0-90.2 %</p> <p>Motor efficiency at 3/4 load: 90.8 %</p> <p>Motor efficiency at 1/2 load: 90.8 %</p> <p>Number of poles: 2</p> <p>Enclosure class (IEC 34-5): 55 Dust/Jetting</p> <p>Insulation class (IEC 85): F</p> <p>Motor No: 85903410</p> <p>Controls:</p> <p>Frequency converter: NONE</p> <p>Others:</p> <p>DOE Pump Energy Index CL: 0.91</p> <p>Net weight: 218 lb</p> <p>Gross weight: 236 lb</p> <p>Shipping volume: 10.1 ft³</p> <p>Country of origin: US</p> <p>Custom tariff no.: 8413.70.2040</p>

96523632 CR 15-5 A-GJ-A-V-HQQV 60 Hz



Description	Value
General information:	
Product name:	CR 15-5 A-GJ-A-V-HQQV
Product No:	96523632
EAN number:	5700396908588 5700396908588
Technical:	
Pump speed on which pump data are based:	3470 rpm
Rated flow:	90.3 US GPM
Rated head:	254.6 ft
Maximum head:	331.4 ft
Actual impeller diameter:	4.13 in
Stages:	5
Impellers:	5
Number of reduced-diameter impellers:	0
Low NPSH:	N
Pump orientation:	Vertical
Shaft seal arrangement:	Single
Code for shaft seal:	HQQV
Approvals on nameplate:	CURUS
Curve tolerance:	ISO9906:2012 3B
Pump version:	A
Model:	A
Cooling:	TEFC
Materials:	
Base:	Cast iron EN 1561 EN-GJL-200
Impeller:	Stainless steel EN 1.4301 AISI 304
Material code:	A
Code for rubber:	V
Bearing:	SIC
Installation:	
Maximum ambient temperature:	140 °F
Maximum operating pressure:	232.06 psi
Max pressure at stated temp:	232 psi / 194 °F 232 psi / -4 °F
Type of connection:	ANSI / JIS
Size of inlet connection:	DN 50
Size of outlet connection:	DN 50
Pressure rating for connection:	PN 25
Flange rating inlet:	300 lb
Flange size for motor:	213TC
Connect code:	GJ
Liquid:	
Pumped liquid:	Water
Liquid temperature range:	-4 .. 194 °F
Selected liquid temperature:	68 °F
Density:	62.29 lb/ft³
Electrical data:	
Motor standard:	NEMA
Motor type:	132FA
IE Efficiency class:	NEMA Premium / IE3 60Hz
Rated power - P2:	10 HP
Power (P2) required by pump:	10 HP





Company name:

Created by:

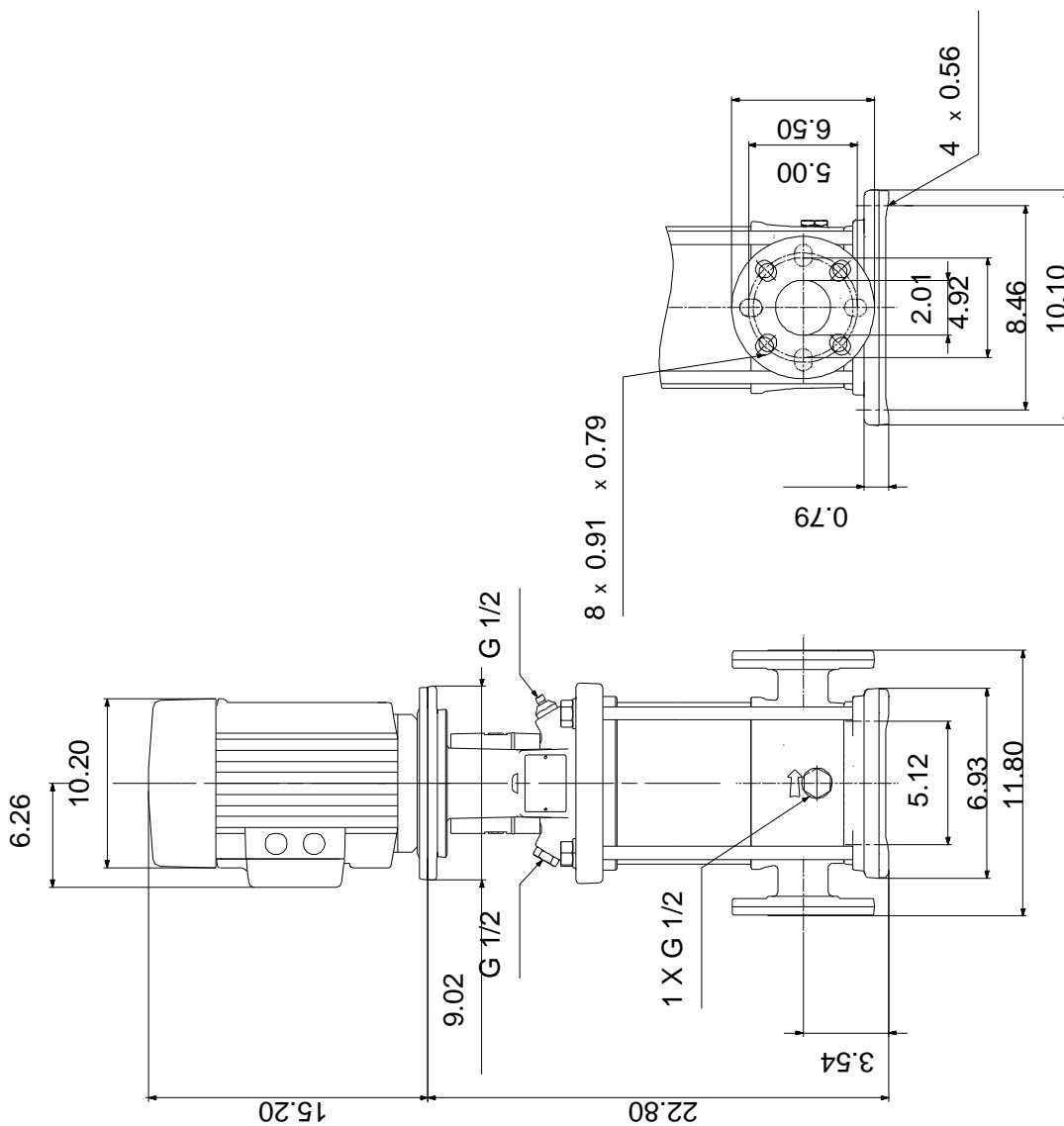
Phone:

Date:

24/04/2020

Description	Value
Mains frequency:	60 Hz
Rated voltage:	3 x 208-230YY/460Y V
Service factor:	1.15
Rated current:	26,5-24,6/12,4 A
Starting current:	680-900 %
Load current:	30,5-28,3/14,3 A
Cos phi - power factor:	0.87
Rated speed:	3480-3500 rpm
Efficiency:	IE3 90,2%
Motor efficiency at full load:	90.0-90.2 %
Motor efficiency at 3/4 load:	90.8 %
Motor efficiency at 1/2 load:	90.8 %
Number of poles:	2
Enclosure class (IEC 34-5):	55 Dust/Jetting
Insulation class (IEC 85):	F
Motor protec:	PTC
Motor No:	85903410
Controls:	
Frequency converter:	NONE
Others:	
DOE Pump Energy Index CL:	0.91
Net weight:	218 lb
Gross weight:	236 lb
Shipping volume:	10.1 ft ³
Country of origin:	US
Custom tariff no.:	8413.70.2040

96523632 CR 15-5 A-GJ-A-V-HQQV 60 Hz



Note! All units are in [in] unless others are stated.
Disclaimer: This simplified dimensional drawing does not show all details.

96523632 CR 15-5 A-GJ-A-V-HQQV 60 Hz



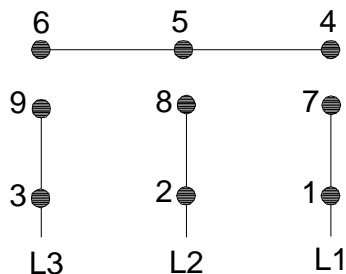
WARNING

MOTOR MUST BE GROUNDED IN ACCORDANCE WITH THE NATIONAL ELECTRICAL CODE AND LOCAL CODES BY TRAINED PERSONNEL TO PREVENT SERIOUS ELECTRICAL SHOCKS.

TO SERVICE MOTOR, DISCONNECT POWER SOURCE FROM MOTOR AND ANY ACCESSORY DEVICES AND ALLOW MOTOR TO COME TO A COMPLETE STAND STILL.

LOW VOLTAGE

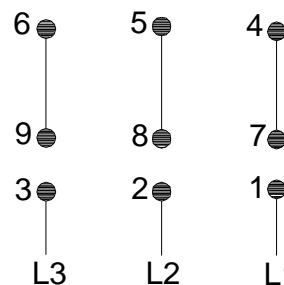
60Hz. 208-230V



HIGH VOLTAGE

60Hz: 460V

50Hz: 400V



96553852

INTERCHANGE ANY TWO LINE WIRES TO REVERSE ROTATION
THERMOSTAT LEADS
(WHEN PROVIDED)

