

PROJECT: _____	UNIT TAG: _____	QUANTITY: _____
REPRESENTATIVE: _____	TYPE OF SERVICE: _____	DATE: _____
ENGINEER: _____	SUBMITTED BY: _____	DATE: _____
CONTRACTOR: _____	APPROVED BY: _____	DATE: _____
	ORDER NO.: _____	DATE: _____

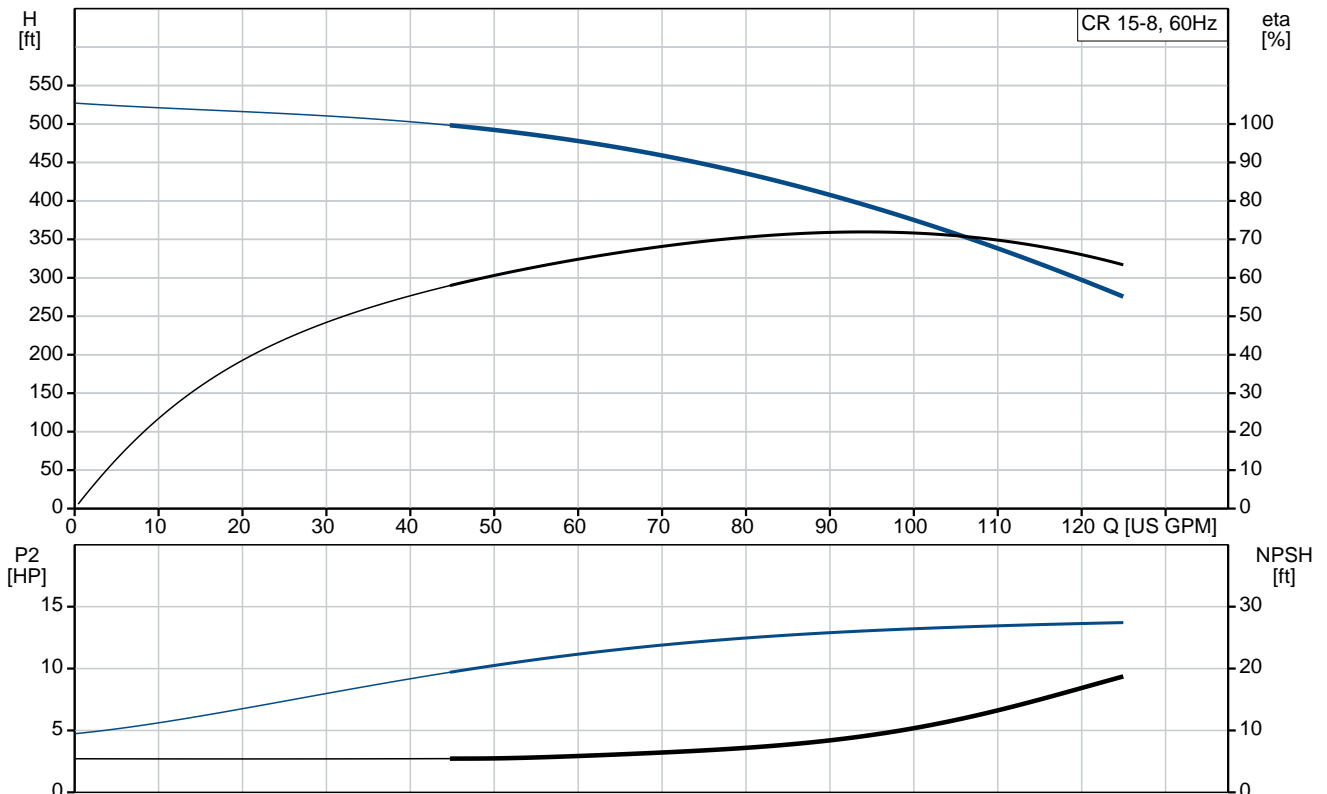


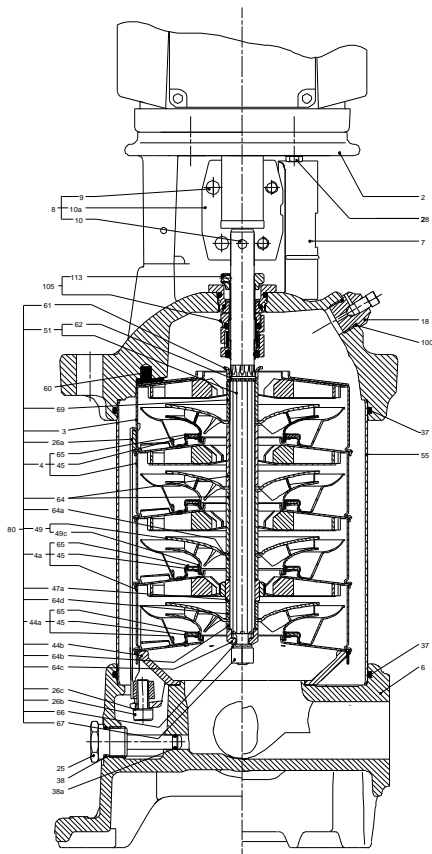
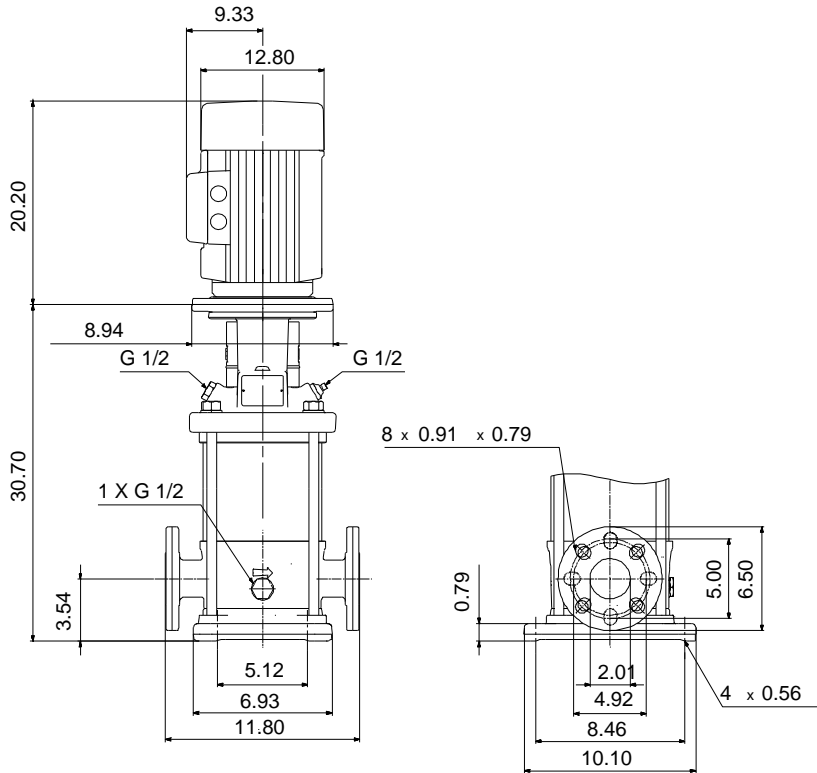
CR 15-8 A-GJ-A-V-HQQV

Vertical, multistage centrifugal pump with suction and discharge ports on the same level. The pump head and base are in cast iron - all other wetted parts are in stainless steel (EN 1.4301)

Note! Product picture may differ from actual product


Conditions of Service	Pump Data	Motor Data
Flow: _____	Max pressure at stated temp: 232 psi / 194 °F	Rated power - P2: 15 HP
Head: _____	Liquid temperature range: -4 .. 194 °F	Rated voltage: 208-230/460 V
Efficiency: _____	Maximum ambient temperature: 104 °F	Mains frequency: 60 Hz
Liquid: Water	Approvals: CURUS	Enclosure class: IP54
Temperature: 68 °F	Shaft seal: HQQV	Insulation class: F
NPSH required: ft	Product number: 96523635	Motor protection: NONE
Viscosity: _____		Motor type: BALDOR
Specific Gravity: 1.000		





Materials:

- Base: Cast iron
EN 1561 EN-GJL-200
ASTM A48-25B
- Impeller: Stainless steel
AISI 304
EN 1.4301
- Material code: A
- Code for rubber: V

Qty.	Description																																																		
1	<p data-bbox="199 336 494 369">CR 15-8 A-GJ-A-V-HQQV</p>  <p data-bbox="199 660 470 694">Product No.: 96523635</p> <p data-bbox="199 716 1460 817">Vertical, multistage centrifugal pump with inlet and outlet ports on same the level (inline). The pump head and base are in cast iron – all other wetted parts are in stainless steel. A cartridge shaft seal ensures high reliability, safe handling, and easy access and service. Power transmission is via a rigid split coupling. Pipe connection is via combined ANSI-JIS flanges.</p> <p data-bbox="199 862 933 896">The pump is fitted with a 3-phase, fan-cooled asynchronous motor.</p> <p data-bbox="199 952 295 985">Liquid:</p> <table data-bbox="199 974 694 1108"> <tr> <td>Pumped liquid:</td> <td>Water</td> </tr> <tr> <td>Liquid temperature range:</td> <td>-4 .. 194 °F</td> </tr> <tr> <td>Selected liquid temperature:</td> <td>68 °F</td> </tr> <tr> <td>Density:</td> <td>62.29 lb/ft³</td> </tr> </table> <p data-bbox="199 1131 327 1164">Technical:</p> <table data-bbox="199 1153 821 1422"> <tr> <td>Pump speed on which pump data are based:</td> <td>3444 rpm</td> </tr> <tr> <td>Rated flow:</td> <td>90.3 US GPM</td> </tr> <tr> <td>Rated head:</td> <td>407.2 ft</td> </tr> <tr> <td>Actual impeller diameter:</td> <td>4.13 in</td> </tr> <tr> <td>Pump orientation:</td> <td>Vertical</td> </tr> <tr> <td>Shaft seal arrangement:</td> <td>Single</td> </tr> <tr> <td>Code for shaft seal:</td> <td>HQQV</td> </tr> <tr> <td>Approvals on nameplate:</td> <td>CURUS</td> </tr> <tr> <td>Curve tolerance:</td> <td>ISO9906:2012 3B</td> </tr> </table> <p data-bbox="199 1456 327 1489">Materials:</p> <table data-bbox="199 1478 813 1691"> <tr> <td>Base:</td> <td>Cast iron EN 1561 EN-GJL-200 ASTM A48-25B</td> </tr> <tr> <td>Impeller:</td> <td>Stainless steel EN 1.4301 AISI 304</td> </tr> <tr> <td>Bearing:</td> <td>SIC</td> </tr> </table> <p data-bbox="199 1724 343 1758">Installation:</p> <table data-bbox="199 1747 750 2049"> <tr> <td>Maximum ambient temperature:</td> <td>104 °F</td> </tr> <tr> <td>Maximum operating pressure:</td> <td>232.06 psi</td> </tr> <tr> <td>Max pressure at stated temp:</td> <td>232 psi / 194 °F 232 psi / -4 °F</td> </tr> <tr> <td>Type of connection:</td> <td>ANSI / JIS</td> </tr> <tr> <td>Size of inlet connection:</td> <td>DN 50</td> </tr> <tr> <td>Size of outlet connection:</td> <td>DN 50</td> </tr> <tr> <td>Pressure rating for connection:</td> <td>PN 25</td> </tr> <tr> <td>Flange rating inlet:</td> <td>300 lb</td> </tr> <tr> <td>Flange size for motor:</td> <td>254TC</td> </tr> </table> <p data-bbox="199 2072 383 2105">Electrical data:</p>	Pumped liquid:	Water	Liquid temperature range:	-4 .. 194 °F	Selected liquid temperature:	68 °F	Density:	62.29 lb/ft ³	Pump speed on which pump data are based:	3444 rpm	Rated flow:	90.3 US GPM	Rated head:	407.2 ft	Actual impeller diameter:	4.13 in	Pump orientation:	Vertical	Shaft seal arrangement:	Single	Code for shaft seal:	HQQV	Approvals on nameplate:	CURUS	Curve tolerance:	ISO9906:2012 3B	Base:	Cast iron EN 1561 EN-GJL-200 ASTM A48-25B	Impeller:	Stainless steel EN 1.4301 AISI 304	Bearing:	SIC	Maximum ambient temperature:	104 °F	Maximum operating pressure:	232.06 psi	Max pressure at stated temp:	232 psi / 194 °F 232 psi / -4 °F	Type of connection:	ANSI / JIS	Size of inlet connection:	DN 50	Size of outlet connection:	DN 50	Pressure rating for connection:	PN 25	Flange rating inlet:	300 lb	Flange size for motor:	254TC
Pumped liquid:	Water																																																		
Liquid temperature range:	-4 .. 194 °F																																																		
Selected liquid temperature:	68 °F																																																		
Density:	62.29 lb/ft ³																																																		
Pump speed on which pump data are based:	3444 rpm																																																		
Rated flow:	90.3 US GPM																																																		
Rated head:	407.2 ft																																																		
Actual impeller diameter:	4.13 in																																																		
Pump orientation:	Vertical																																																		
Shaft seal arrangement:	Single																																																		
Code for shaft seal:	HQQV																																																		
Approvals on nameplate:	CURUS																																																		
Curve tolerance:	ISO9906:2012 3B																																																		
Base:	Cast iron EN 1561 EN-GJL-200 ASTM A48-25B																																																		
Impeller:	Stainless steel EN 1.4301 AISI 304																																																		
Bearing:	SIC																																																		
Maximum ambient temperature:	104 °F																																																		
Maximum operating pressure:	232.06 psi																																																		
Max pressure at stated temp:	232 psi / 194 °F 232 psi / -4 °F																																																		
Type of connection:	ANSI / JIS																																																		
Size of inlet connection:	DN 50																																																		
Size of outlet connection:	DN 50																																																		
Pressure rating for connection:	PN 25																																																		
Flange rating inlet:	300 lb																																																		
Flange size for motor:	254TC																																																		



Company name:

Created by:

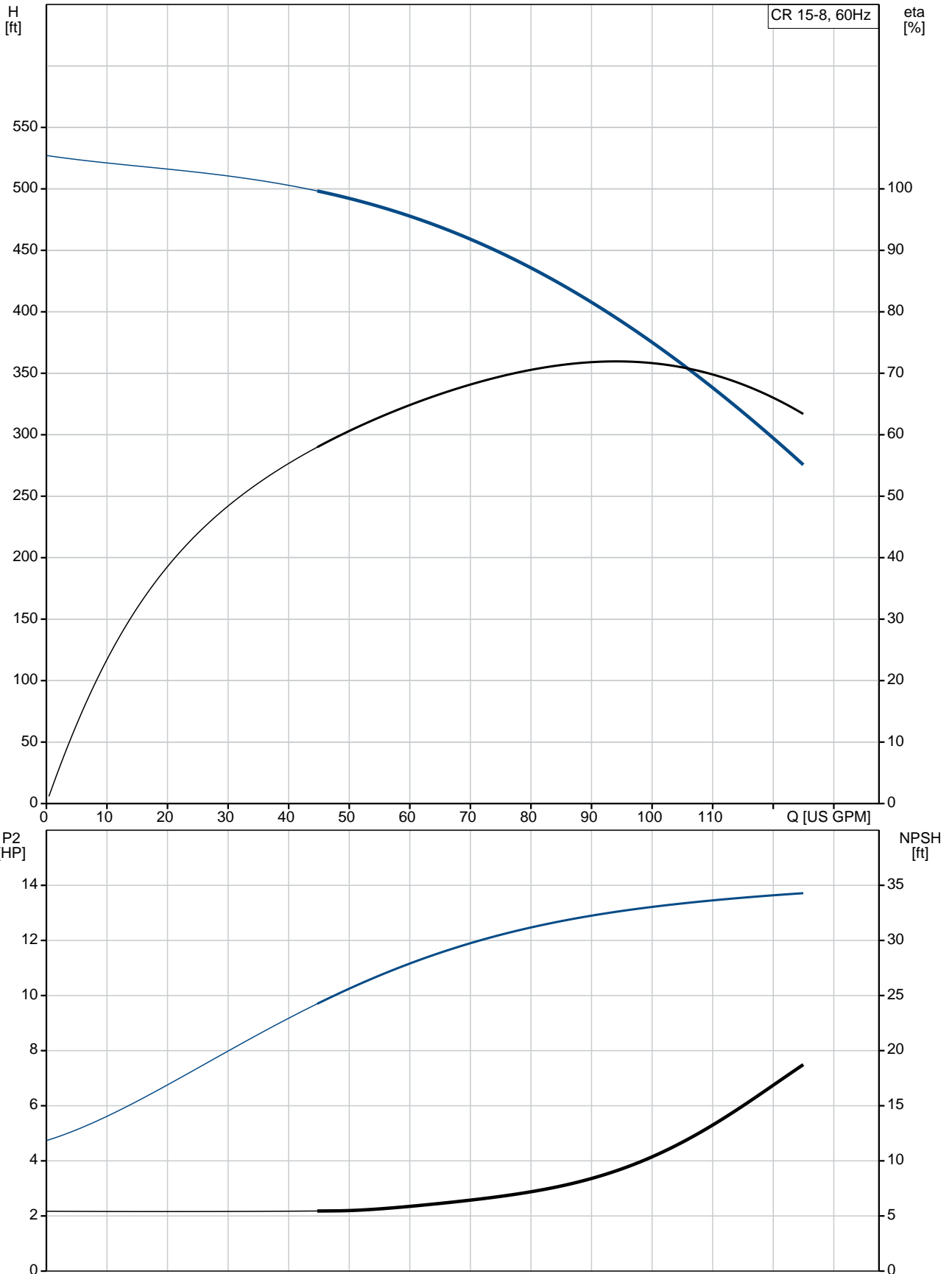
Phone:

Date:

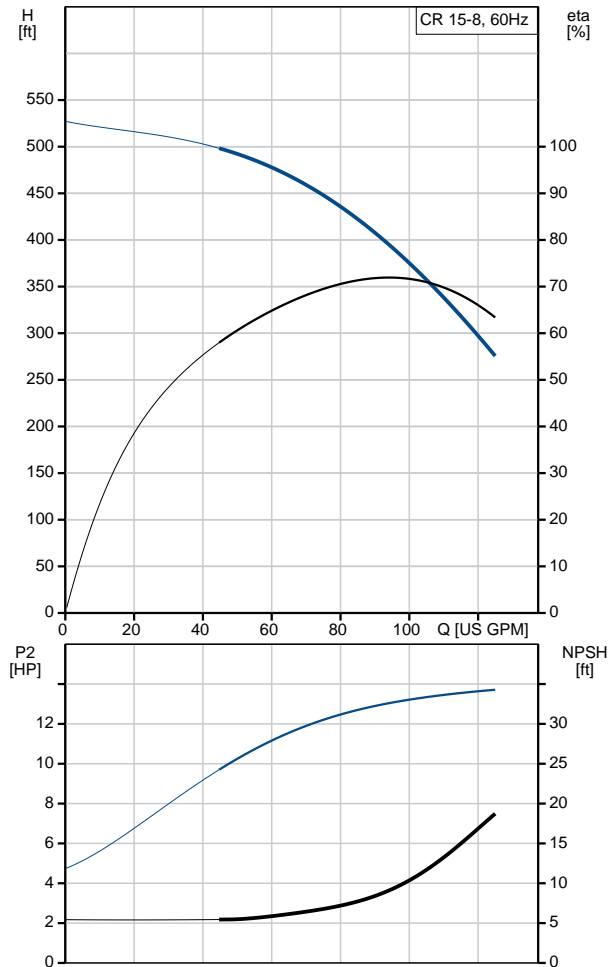
24/04/2020

Qty.	Description
	Motor standard: NEMA
	Motor type: BALDOR
	IE Efficiency class: IE3 / NEMA Premium
	Rated power - P2: 15 HP
	Power (P2) required by pump: 15 HP
	Mains frequency: 60 Hz
	Rated voltage: 3 x 208-230/460 V
	Service factor: 1.15
	Rated current: 38,0-35,0/17,5 A
	Rated speed: 3520 rpm
	Number of poles: 2
	Enclosure class (IEC 34-5): IP54
	Insulation class (IEC 85): F
	Motor No: 85600H24
	Controls:
	Frequency converter: NONE
	Others:
	DOE Pump Energy Index CL: 0.91
	Net weight: 329 lb
	Gross weight: 443 lb
	Shipping volume: 17.2 ft ³
	Country of origin: US
	Custom tariff no.: 8413.70.2040

96523635 CR 15-8 A-GJ-A-V-HQQV 60 Hz



Description	Value
General information:	
Product name:	CR 15-8 A-GJ-A-V-HQQV
Product No:	96523635
EAN number:	5700396908649 5700396908649
Technical:	
Pump speed on which pump data are based:	3444 rpm
Rated flow:	90.3 US GPM
Rated head:	407.2 ft
Maximum head:	528.2 ft
Actual impeller diameter:	4.13 in
Stages:	8
Impellers:	8
Number of reduced-diameter impellers:	0
Low NPSH:	N
Pump orientation:	Vertical
Shaft seal arrangement:	Single
Code for shaft seal:	HQQV
Approvals on nameplate:	CURUS
Curve tolerance:	ISO9906:2012 3B
Pump version:	A
Model:	A
Cooling:	TEFC
Materials:	
Base:	Cast iron EN 1561 EN-GJL-200
Impeller:	Stainless steel ASTM A48-25B EN 1.4301 AISI 304
Material code:	A
Code for rubber:	V
Bearing:	SIC
Installation:	
Maximum ambient temperature:	104 °F
Maximum operating pressure:	232.06 psi
Max pressure at stated temp:	232 psi / 194 °F 232 psi / -4 °F
Type of connection:	ANSI / JIS
Size of inlet connection:	DN 50
Size of outlet connection:	DN 50
Pressure rating for connection:	PN 25
Flange rating inlet:	300 lb
Flange size for motor:	254TC
Connect code:	GJ
Liquid:	
Pumped liquid:	Water
Liquid temperature range:	-4 .. 194 °F
Selected liquid temperature:	68 °F
Density:	62.29 lb/ft³
Electrical data:	
Motor standard:	NEMA
Motor type:	BALDOR
IE Efficiency class:	IE3 / NEMA Premium
Rated power - P2:	15 HP
Power (P2) required by pump:	15 HP
Mains frequency:	60 Hz





Company name:

Created by:

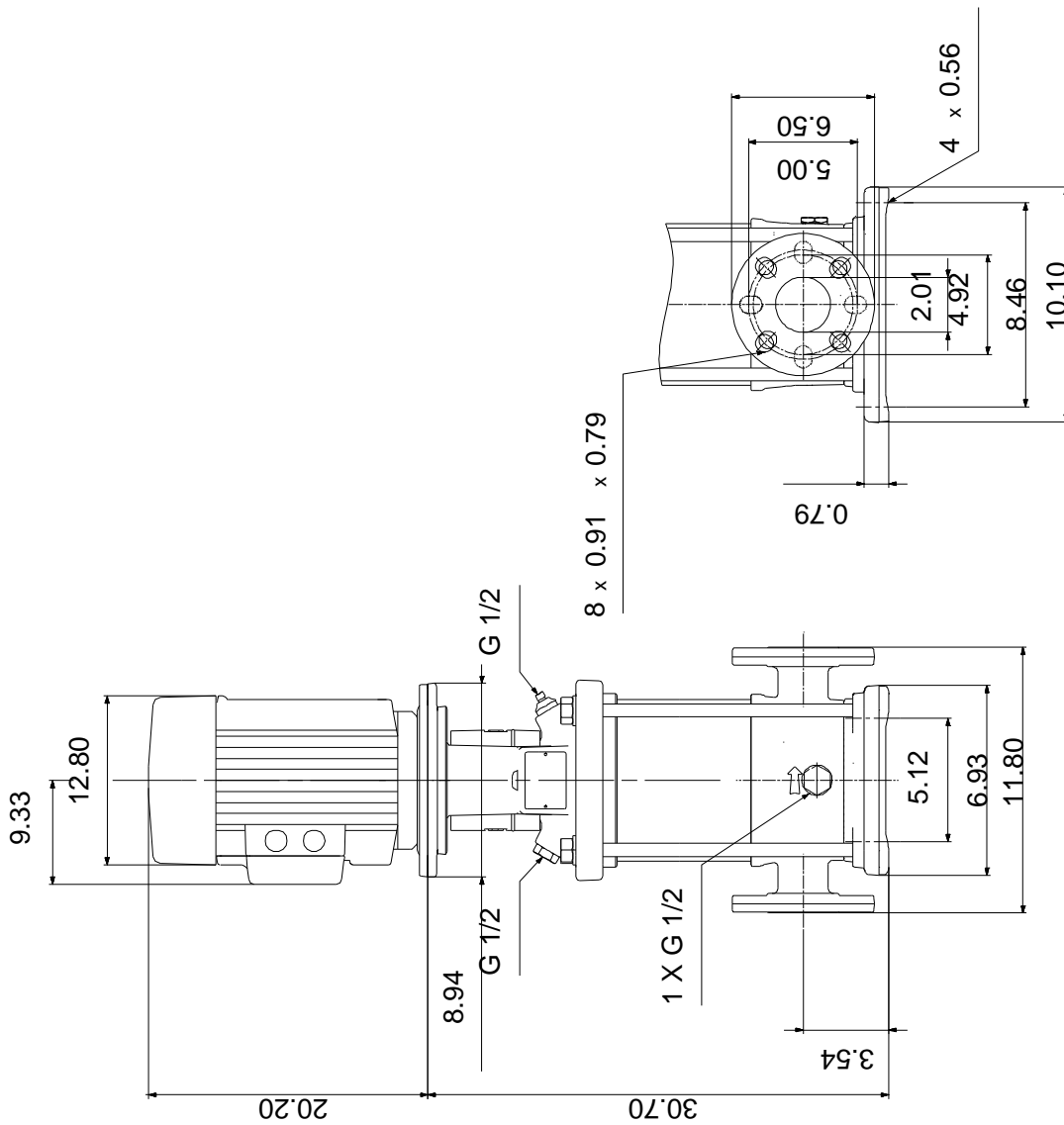
Phone:

Date:

24/04/2020

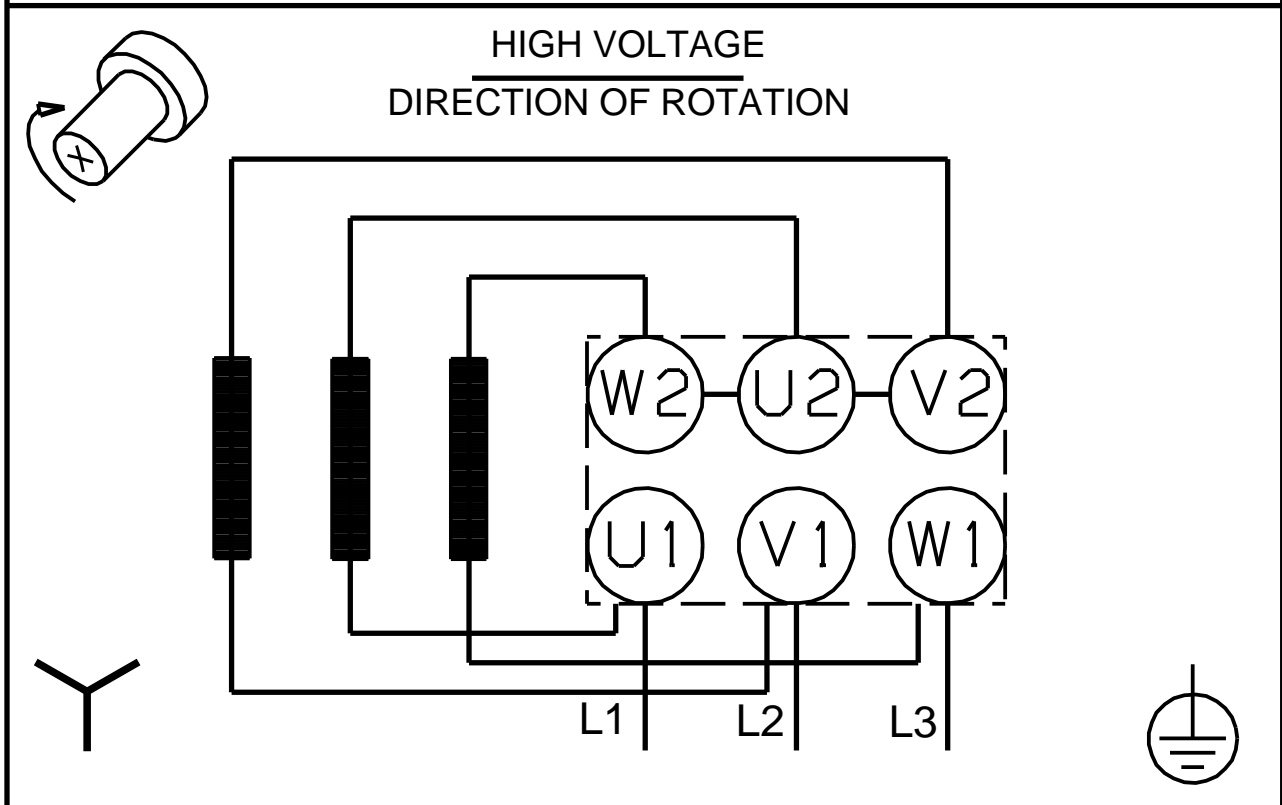
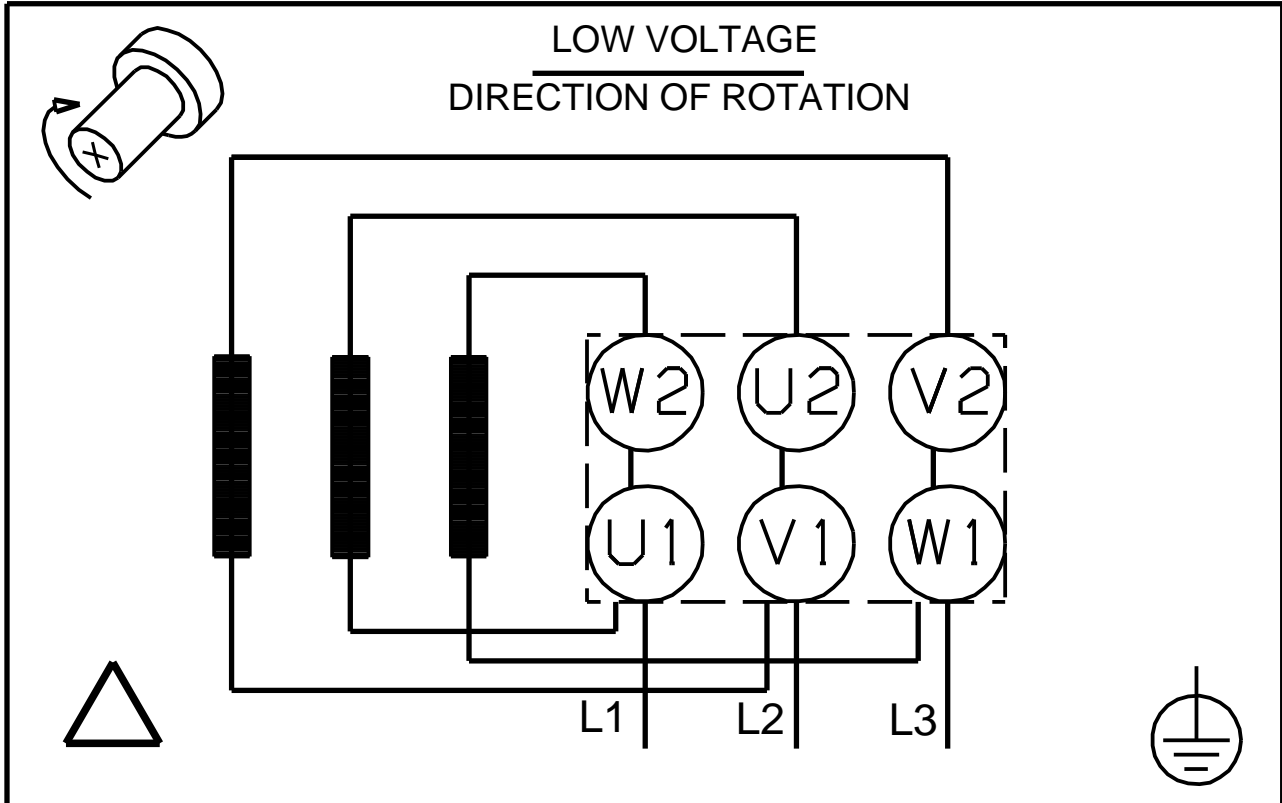
Description	Value
Rated voltage:	3 x 208-230/460 V
Service factor:	1.15
Rated current:	38,0-35,0/17,5 A
Load current:	44-40/20 A
Rated speed:	3520 rpm
Number of poles:	2
Enclosure class (IEC 34-5):	IP54
Insulation class (IEC 85):	F
Motor protec:	NONE
Motor No:	85600H24
Controls:	
Frequency converter:	NONE
Others:	
DOE Pump Energy Index CL:	0.91
Net weight:	329 lb
Gross weight:	443 lb
Shipping volume:	17.2 ft ³
Country of origin:	US
Custom tariff no.:	8413.70.2040

96523635 CR 15-8 A-GJ-A-V-HQQV 60 Hz



Note! All units are in [in] unless others are stated.
Disclaimer: This simplified dimensional drawing does not show all details.

96523635 CR 15-8 A-GJ-A-V-HQQV 60 Hz



Note! All units are in [in] unless others are stated.