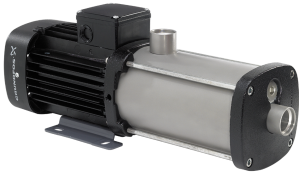


PROJECT: _____	UNIT TAG: _____	QUANTITY: _____
REPRESENTATIVE: _____	TYPE OF SERVICE: _____	DATE: _____
ENGINEER: _____	SUBMITTED BY: _____	DATE: _____
CONTRACTOR: _____	APPROVED BY: _____	DATE: _____
	ORDER NO.: _____	DATE: _____

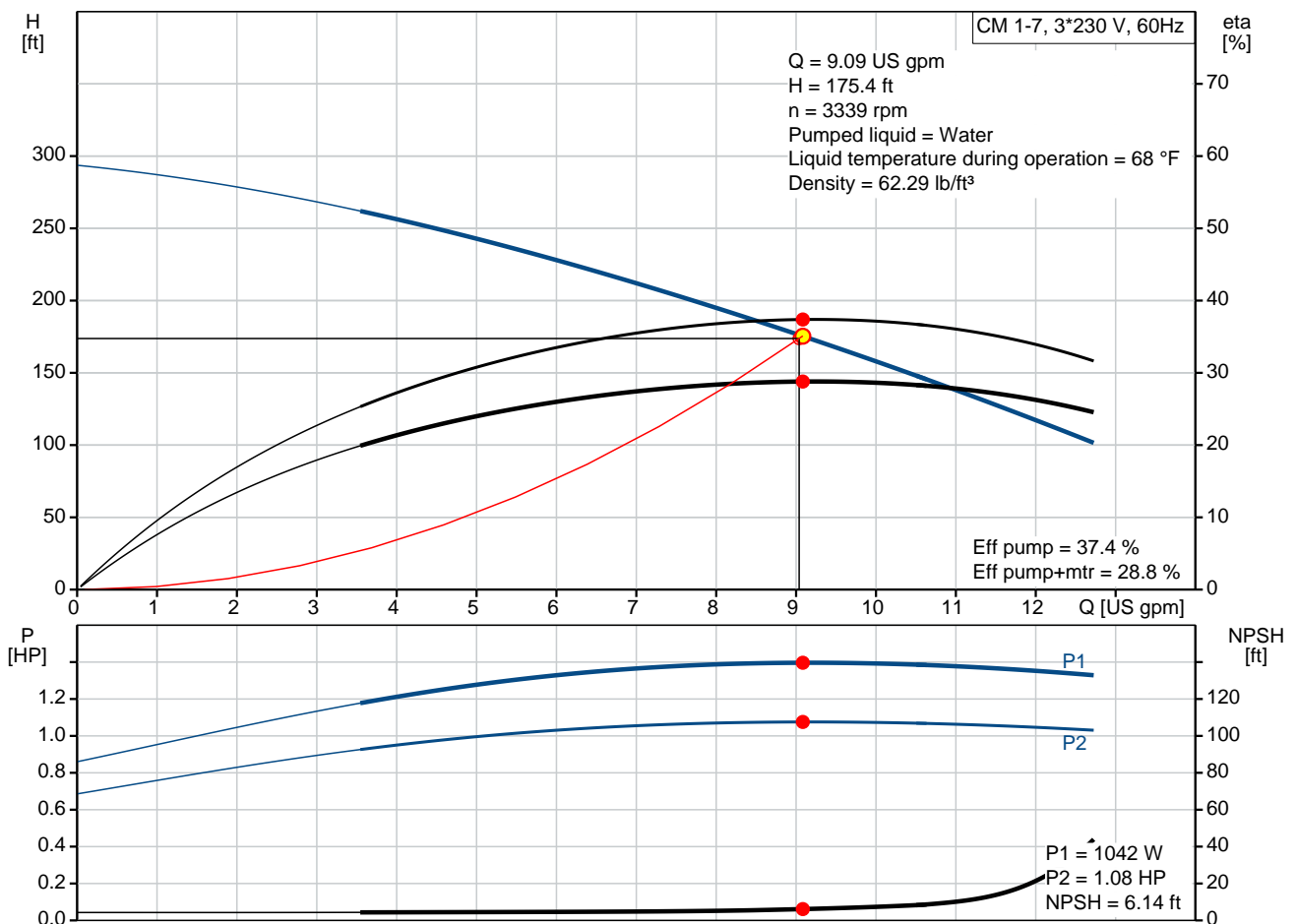
CM 1-7 A-S-G-V-AQQV E-A-A-N

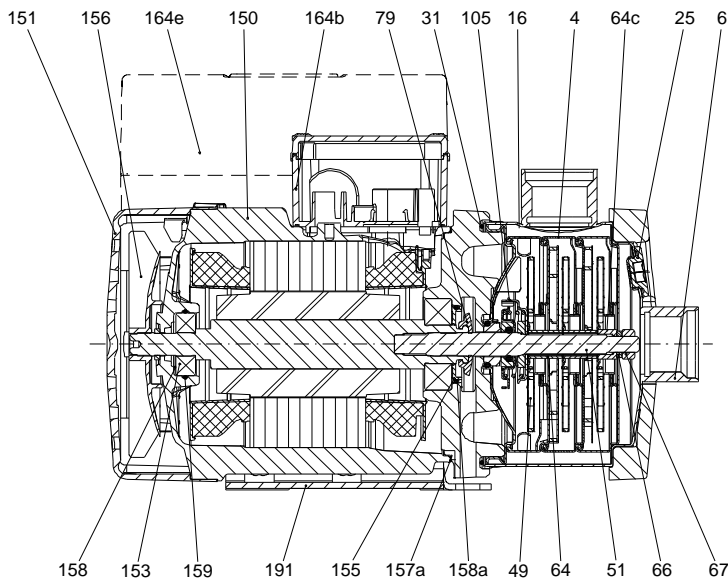
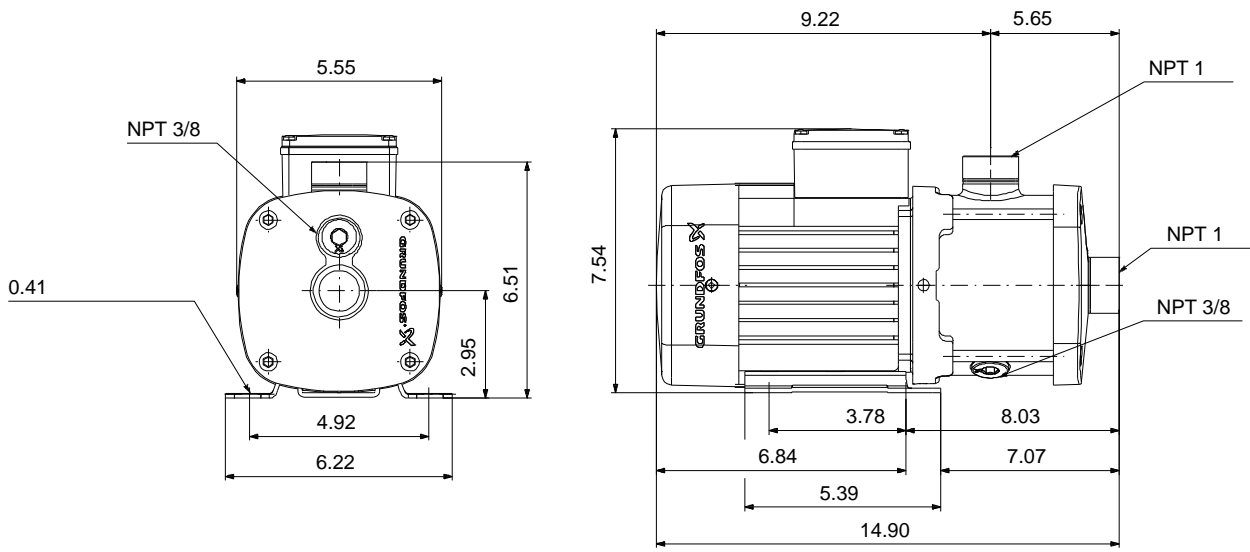


CM are reliable, quiet and compact horizontal end-suction pumps. The modular pump design makes it easy to make customised solutions. The CM pumps are available in cast iron and stainless steel

Product photo could vary from the actual product

Conditions of Service		Pump Data		Motor Data	
Flow:	9.09 US gpm	Max pressure at stated temperature:	232 psi / 194 °F	Main frequency:	60 Hz
Head:	175.4 ft	Liquid temperature range:	-4 .. 248 °F	Enclosure class:	IP55
Efficiency:	28.8 %	Maximum ambient temperature:	131 °F		
Liquid:	Water	Shaft seal:	AQQV		
Temperature:	68 °F	Product number:	96806905		
NPSH required:	6.14 ft				
Viscosity:	_____				
Specific Gravity:	1.000				

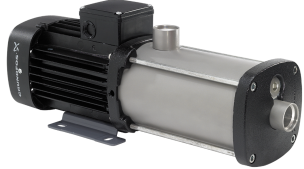




Materials:

- Pump housing: Stainless steel
AISI 316
- Impeller: Stainless steel
AISI 316
EN 1.4401
- Material code: G
- Code for rubber: V

165x100

Count	Description
1	<p data-bbox="225 338 595 367">CM 1-7 A-S-G-V-AQQV E-A-A-N</p> <div data-bbox="256 439 560 607">  </div> <p data-bbox="619 629 1070 656" style="text-align: center;">Product photo could vary from the actual product</p> <p data-bbox="225 663 491 689">Product No.: 96806905</p> <p data-bbox="225 719 1449 797">Compact, reliable, horizontal, multistage, end-suction centrifugal pump with axial suction port and radial discharge port. Pump materials in contact with the liquid are in high-grade stainless steel. The mechanical shaft seal is a special designed, unbalanced O-ring seal. Pipework connection is via internal NPT pipe threads.</p> <p data-bbox="225 804 1118 831">The pump is fitted with a 3-phase, foot-mounted, fan-cooled asynchronous motor.</p> <p data-bbox="225 864 336 891">Controls:</p> <p data-bbox="225 898 663 925">Frequency converter: NONE</p> <p data-bbox="225 954 312 981">Liquid:</p> <p data-bbox="225 987 659 1014">Pumped liquid: Water</p> <p data-bbox="225 1021 715 1048">Liquid temperature range: -4 .. 248 °F</p> <p data-bbox="225 1055 651 1081">Selected liquid temperature: 68 °F</p> <p data-bbox="225 1088 708 1115">Density: 62.29 lb/ft³</p> <p data-bbox="225 1144 352 1171">Technical:</p> <p data-bbox="225 1178 847 1205">Pump speed on which pump data are based: 3480 rpm</p> <p data-bbox="225 1211 735 1238">Actual calculated flow: 9.09 US gpm</p> <p data-bbox="225 1245 735 1272">Rated flow: 8.98 US gpm</p> <p data-bbox="225 1279 676 1305">Resulting head of the pump: 175.4 ft</p> <p data-bbox="225 1312 676 1339">Rated head: 208.2 ft</p> <p data-bbox="225 1346 663 1373">Code for shaft seal: AQQV</p> <p data-bbox="225 1379 788 1406">Curve tolerance: ISO9906:2012 3B</p> <p data-bbox="225 1435 344 1462">Materials:</p> <p data-bbox="225 1469 751 1525">Pump housing: Stainless steel EN 1.4401 AISI 316</p> <p data-bbox="225 1532 751 1610">Impeller: Stainless steel EN 1.4401 AISI 316</p> <p data-bbox="225 1639 368 1666">Installation:</p> <p data-bbox="225 1673 715 1700">Range of ambient temperature: -4 .. 131 °F</p> <p data-bbox="225 1706 703 1733">Maximum operating pressure: 232.06 psi</p> <p data-bbox="225 1740 831 1796">Max pressure at stated temperature: 232 psi / 194 °F 145 psi / 250 °F</p> <p data-bbox="225 1803 671 1830">Type of connection: NPT(F)</p> <p data-bbox="225 1836 659 1863">Size of suction port: 1 inch</p> <p data-bbox="225 1870 659 1897">Size of outlet port: 1 inch</p> <p data-bbox="225 1904 619 1930">Outlet position: 12</p> <p data-bbox="225 1960 400 1986">Electrical data:</p> <p data-bbox="225 1993 663 2020">Motor standard: NEMA</p> <p data-bbox="225 2027 635 2054">Frame size: 71B</p> <p data-bbox="225 2060 695 2087">Rated power - P2: 0.992 HP</p> <p data-bbox="225 2094 659 2121">Main frequency: 60 Hz</p>



Company name:

Created by:

Phone:

Date:

4/1/2020

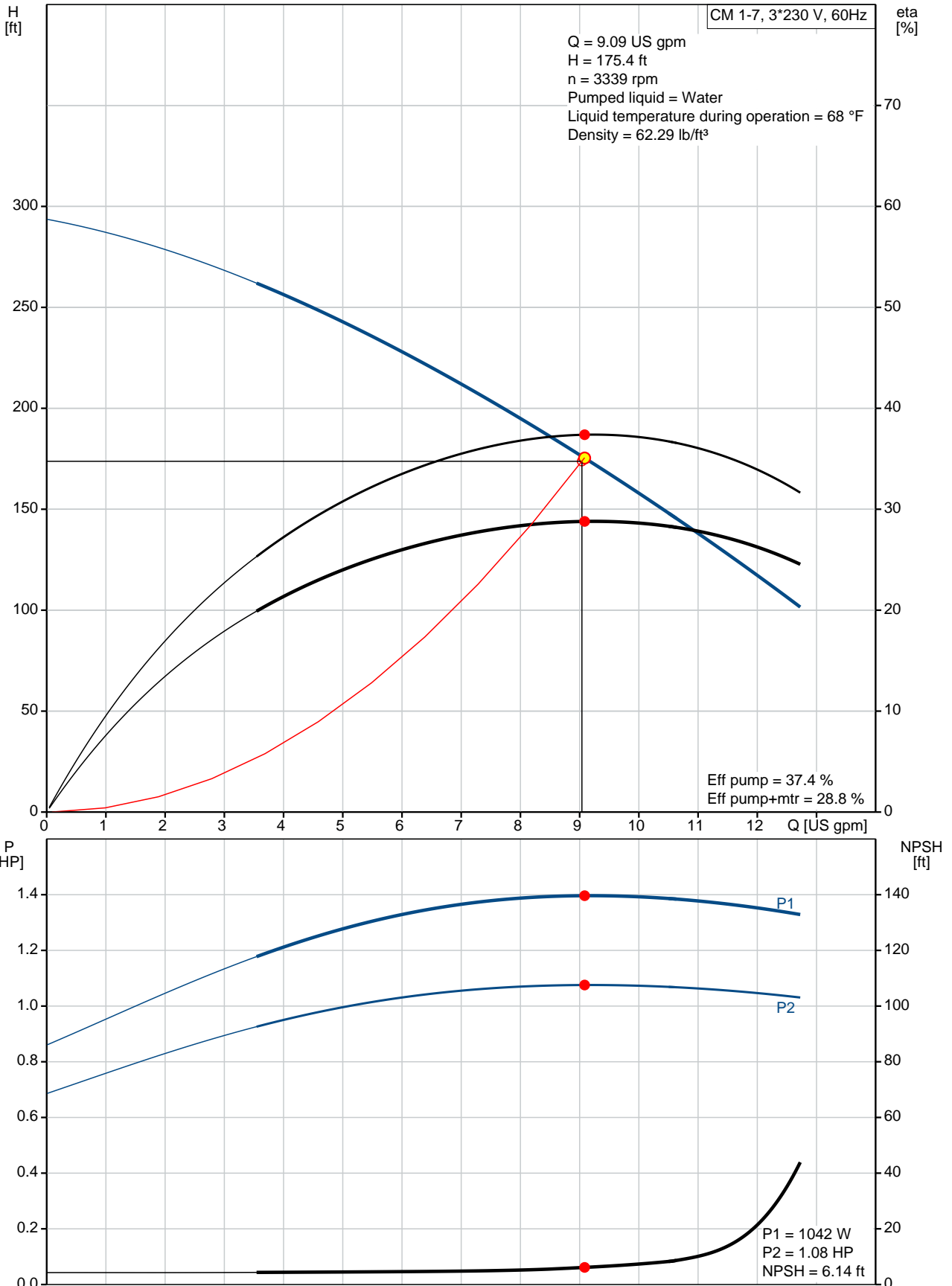
Count	Description
	Suitable for 50/60 Hz: N
	Phase: 3
	Rated voltage: 208-230YY/440-480Y V
	Service factor: 1.00
	Rated current: 3,4-3,6/1,7-1,8 A
	Rated speed: 3220-3370 rpm
	Enclosure class (IEC 34-5): IP55
	Insulation class (IEC 85): F
	Built-in motor protection: NONE
	Others:
	Terminal box position: 12
	Minimum efficiency index, MEI η : 0.68
	Net weight: 30.4 lb
	Gross weight: 35.9 lb
	Approvals: CE,CULUS,WRAS,ACS,TR,EAC,CURUS
	Custom tariff no.: 8413.70.2040



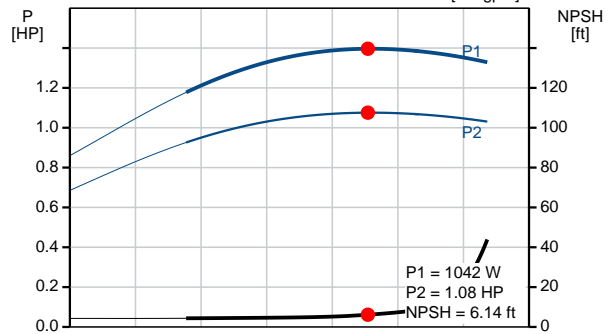
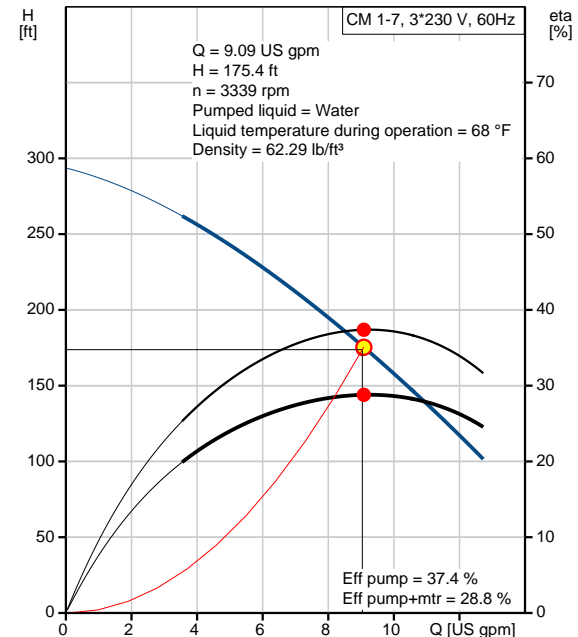
Company name:
Created by:
Phone:

Date: 4/1/2020

96806905 CM 1-7 A-S-G-V-AQQV E-A-A-N 60 Hz



Description	Value
General information:	
Product name:	CM 1-7 A-S-G-V-AQQV E-A-A-N
Product No.:	96806905
EAN:	5700310918525 5700310918525
Technical:	
Pump speed on which pump data are based:	3480 rpm
Actual calculated flow:	9.09 US gpm
Rated flow:	8.98 US gpm
Resulting head of the pump:	175.4 ft
Rated head:	208.2 ft
Impellers:	7
Code for shaft seal:	AQQV
Curve tolerance:	ISO9906:2012 3B
Pump version:	A
Model:	A
Materials:	
Pump housing:	Stainless steel EN 1.4401 AISI 316
Impeller:	Stainless steel EN 1.4401 AISI 316
Material code:	G
Code for rubber:	V
Installation:	
Range of ambient temperature:	-4 .. 131 °F
Maximum operating pressure:	232.06 psi
Max pressure at stated temperature:	232 psi / 194 °F 145 psi / 250 °F
Type of connection:	NPT(F)
Size of suction port:	1 inch
Size of outlet port:	1 inch
Outlet position:	12
Connect code:	S
Liquid:	
Pumped liquid:	Water
Liquid temperature range:	-4 .. 248 °F
Selected liquid temperature:	68 °F
Density:	62.29 lb/ft ³
Electrical data:	
Motor standard:	NEMA
Frame size:	71B
Rated power - P2:	0.992 HP
Main frequency:	60 Hz
Suitable for 50/60 Hz:	N
Phase:	3
Rated voltage:	208-230YY/440-480Y V
Service factor:	1.00
Rated current:	3,4-3,6/1,7-1,8 A
Rated speed:	3220-3370 rpm
Enclosure class (IEC 34-5):	IP55
Insulation class (IEC 85):	F
Built-in motor protection:	NONE
Controls:	
Frequency converter:	NONE





Company name:

Created by:

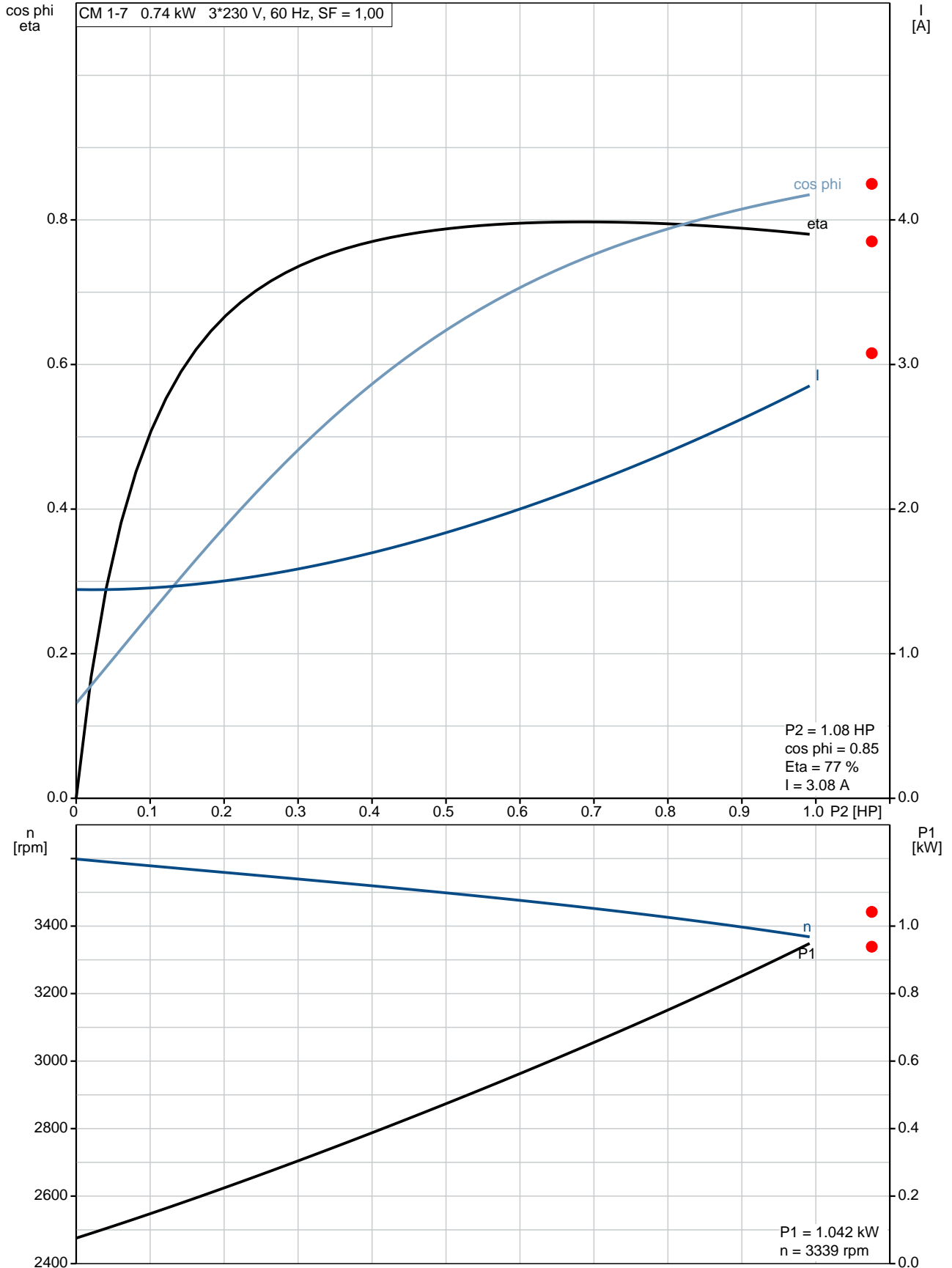
Phone:

Date:

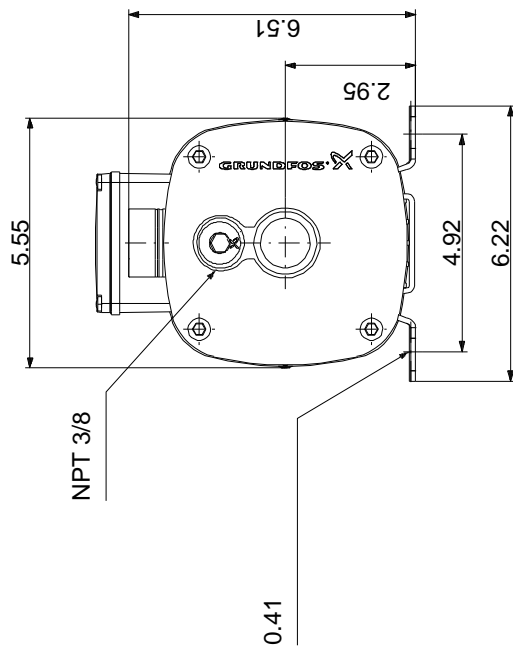
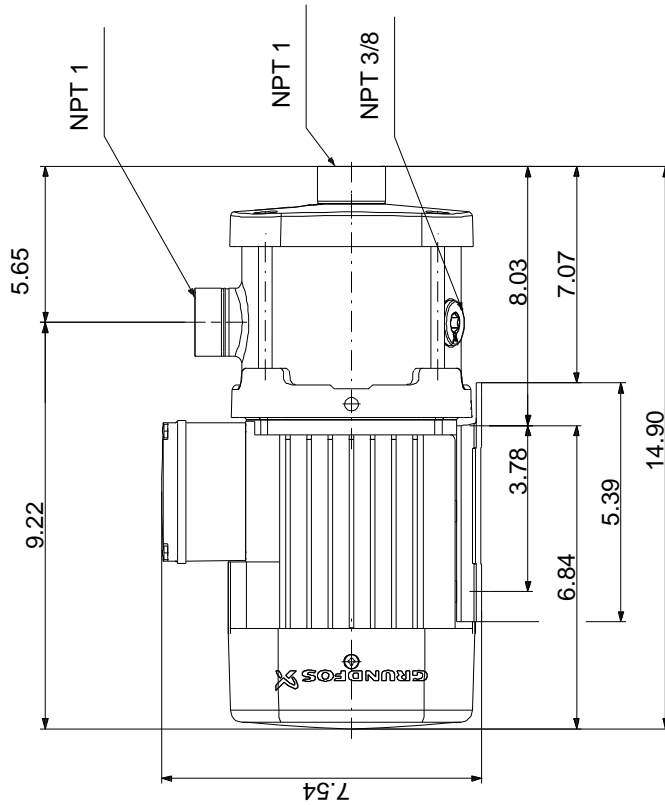
4/1/2020

Description	Value
Others:	
Terminal box position:	12
Minimum efficiency index, MEI â%¥:	0.68
Net weight:	30.4 lb
Gross weight:	35.9 lb
Approvals:	CE,CULUS,WRAS,ACS,TR,EA C,CURUS
Custom tariff no.:	8413.70.2040

96806905 CM 1-7 A-S-G-V-AQQV E-A-A-N 60 Hz



96806905 CM 1-7 A-S-G-V-AQQV E-A-A-N 60 Hz



Note! All units are in [in] unless otherwise stated.
Disclaimer: This simplified dimensional drawing does not show all details.

96806905 CM 1-7 A-S-G-V-AQQV E-A-A-N 60 Hz



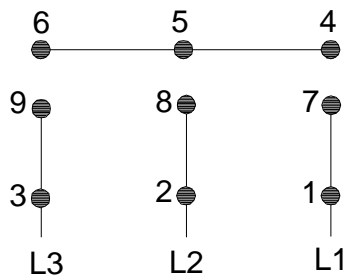
WARNING

MOTOR MUST BE GROUNDED IN ACCORDANCE WITH THE NATIONAL ELECTRICAL CODE AND LOCAL CODES BY TRAINED PERSONNEL TO PREVENT SERIOUS ELECTRICAL SHOCKS.

TO SERVICE MOTOR, DISCONNECT POWER SOURCE FROM MOTOR AND ANY ACCESSORY DEVICES AND ALLOW MOTOR TO COME TO A COMPLETE STAND STILL.

LOW VOLTAGE

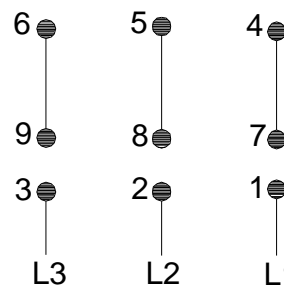
60Hz. 208-230V



HIGH VOLTAGE

60Hz: 460V

50Hz: 400V



96553852

INTERCHANGE ANY TWO LINE WIRES TO REVERSE ROTATION
THERMOSTAT LEADS
(WHEN PROVIDED)

