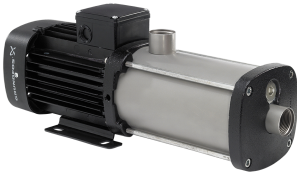


PROJECT: _____	UNIT TAG: _____	QUANTITY: _____
REPRESENTATIVE: _____	TYPE OF SERVICE: _____	DATE: _____
ENGINEER: _____	SUBMITTED BY: _____	DATE: _____
CONTRACTOR: _____	APPROVED BY: _____	DATE: _____
	ORDER NO.: _____	DATE: _____

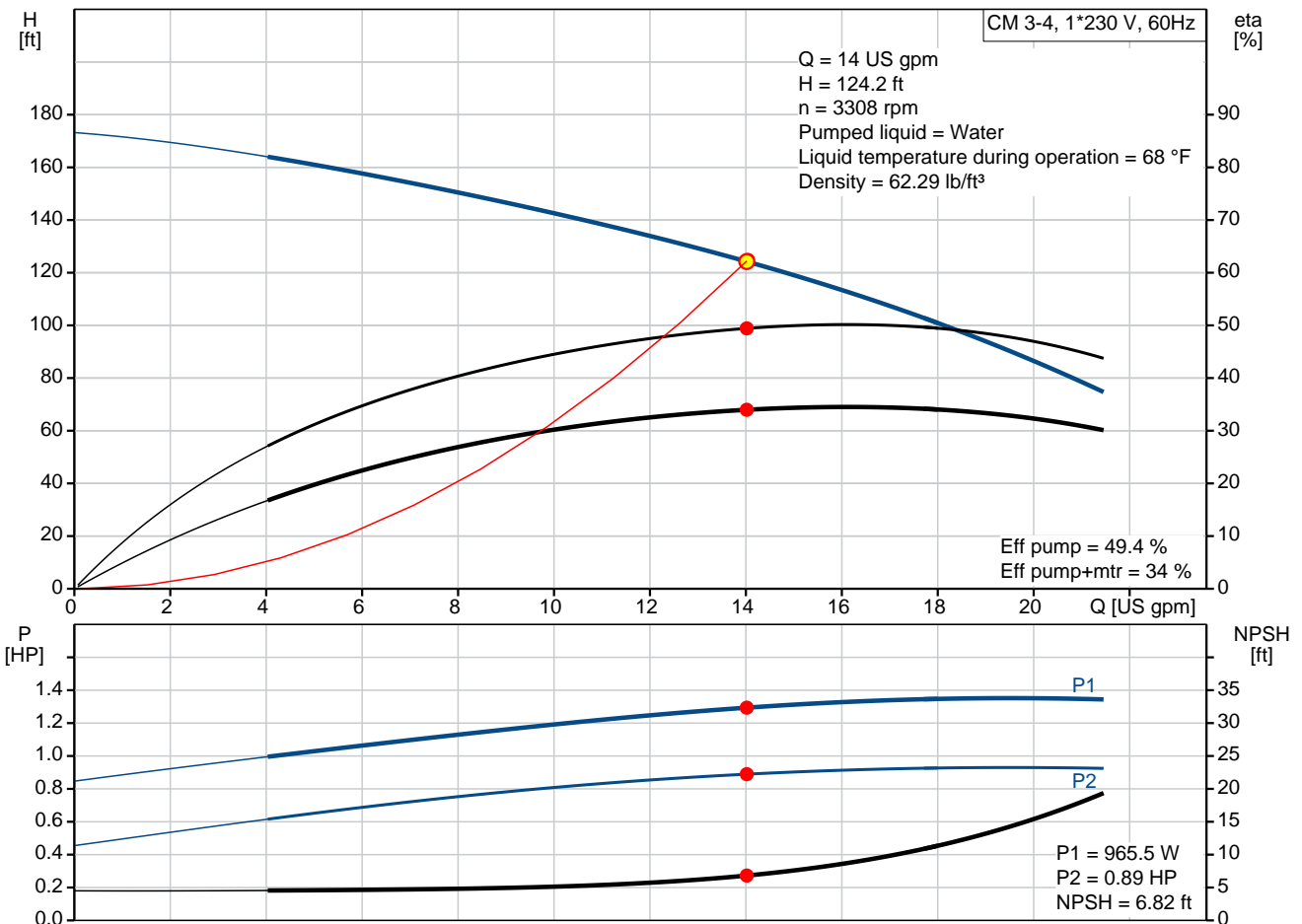
CM 3-4 A-S-G-V-AQQV B-A-A-N

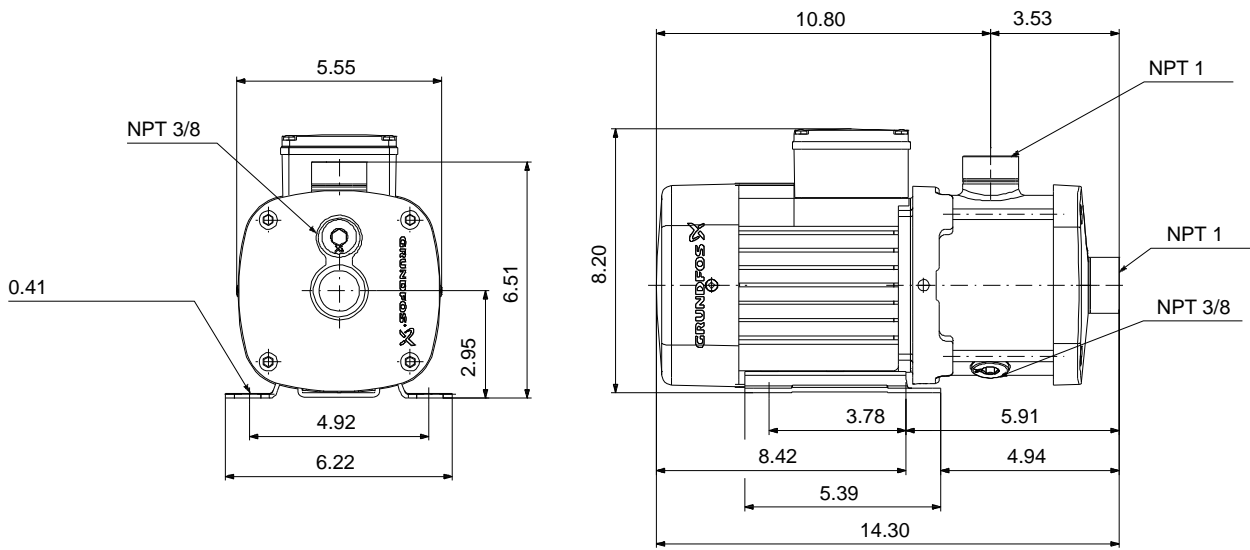


CM are reliable, quiet and compact horizontal end-suction pumps. The modular pump design makes it easy to make customised solutions. The CM pumps are available in cast iron and stainless steel

Product photo could vary from the actual product

Conditions of Service		Pump Data		Motor Data	
Flow:	14 US gpm	Max pressure at stated temperature:	232 psi / 194 °F	Main frequency:	60 Hz
Head:	124.2 ft	Liquid temperature range:	-4 .. 248 °F	Enclosure class:	IP55
Efficiency:	34 %	Maximum ambient temperature:	131 °F		
Liquid:	Water	Shaft seal:	AQQV		
Temperature:	68 °F	Product number:	On request		
NPSH required:	6.82 ft				
Viscosity:	_____				
Specific Gravity:	1.000				





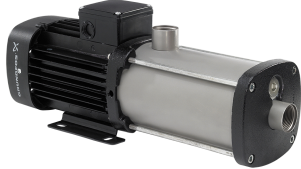
Materials:

Pump housing: Stainless steel
AISI 316

Impeller: Stainless steel
AISI 316
EN 1.4401

Material code: G

Code for rubber: V

Count	Description
1	<p data-bbox="225 342 595 365">CM 3-4 A-S-G-V-AQQV B-A-A-N</p> <div data-bbox="256 439 557 607">  </div> <p data-bbox="619 629 1074 651" style="text-align: center;">Product photo could vary from the actual product</p> <p data-bbox="225 663 504 685">Product No.: On request</p> <p data-bbox="225 723 1449 797">Compact, reliable, horizontal, multistage, end-suction centrifugal pump with axial suction port and radial discharge port. Pump materials in contact with the liquid are in high-grade stainless steel. The mechanical shaft seal is a special designed, unbalanced O-ring seal. Pipework connection is via internal NPT pipe threads.</p> <p data-bbox="225 808 1118 831">The pump is fitted with a 1-phase, foot-mounted, fan-cooled asynchronous motor.</p> <p data-bbox="225 869 336 891">Controls:</p> <p data-bbox="225 898 660 920">Frequency converter: NONE</p> <p data-bbox="225 958 309 981">Liquid:</p> <p data-bbox="225 987 715 1099">Pumped liquid: Water Liquid temperature range: -4 .. 248 °F Selected liquid temperature: 68 °F Density: 62.29 lb/ft³</p> <p data-bbox="225 1137 347 1160">Technical:</p> <p data-bbox="225 1167 847 1368">Pump speed on which pump data are based: 3480 rpm Actual calculated flow: 14 US gpm Rated flow: 16.4 US gpm Resulting head of the pump: 124.2 ft Rated head: 129.4 ft Code for shaft seal: AQQV Curve tolerance: ISO9906:2012 3B</p> <p data-bbox="225 1406 341 1429">Materials:</p> <p data-bbox="225 1435 751 1603">Pump housing: Stainless steel EN 1.4401 AISI 316 Impeller: Stainless steel EN 1.4401 AISI 316</p> <p data-bbox="225 1641 363 1664">Installation:</p> <p data-bbox="225 1671 831 1906">Range of ambient temperature: -4 .. 131 °F Maximum operating pressure: 232.06 psi Max pressure at stated temperature: 232 psi / 194 °F 145 psi / 250 °F Type of connection: NPT(F) Size of suction port: 1 inch Size of outlet port: 1 inch Outlet position: 12</p> <p data-bbox="225 1944 400 1966">Electrical data:</p> <p data-bbox="225 1973 679 2085">Motor standard: NEMA Frame size: 80A Rated power - P2: 1.05 HP Main frequency: 60 Hz</p>



Company name:

Created by:

Phone:

Date:

4/3/2020

Count	Description
	Suitable for 50/60 Hz: N
	Phase: 1
	Rated voltage: 115/230 V
	Service factor: 1.00
	Rated current: 10.6/5.4 A
	Starting current: 300-300 %
	Rated speed: 3240 rpm
	Enclosure class (IEC 34-5): IP55
	Insulation class (IEC 85): F
	Built-in motor protection: NONE
	Others:
	Terminal box position: 12
	Minimum efficiency index, MEI $\hat{\%}$: 0.7
	Net weight: 31.2 lb
	Gross weight: 36.7 lb
	Approvals: CE,CULUS,WRAS,ACS,TR,EAC,CURUS
	Country of origin: US
	Custom tariff no.: 8413.70.2040



Company name:

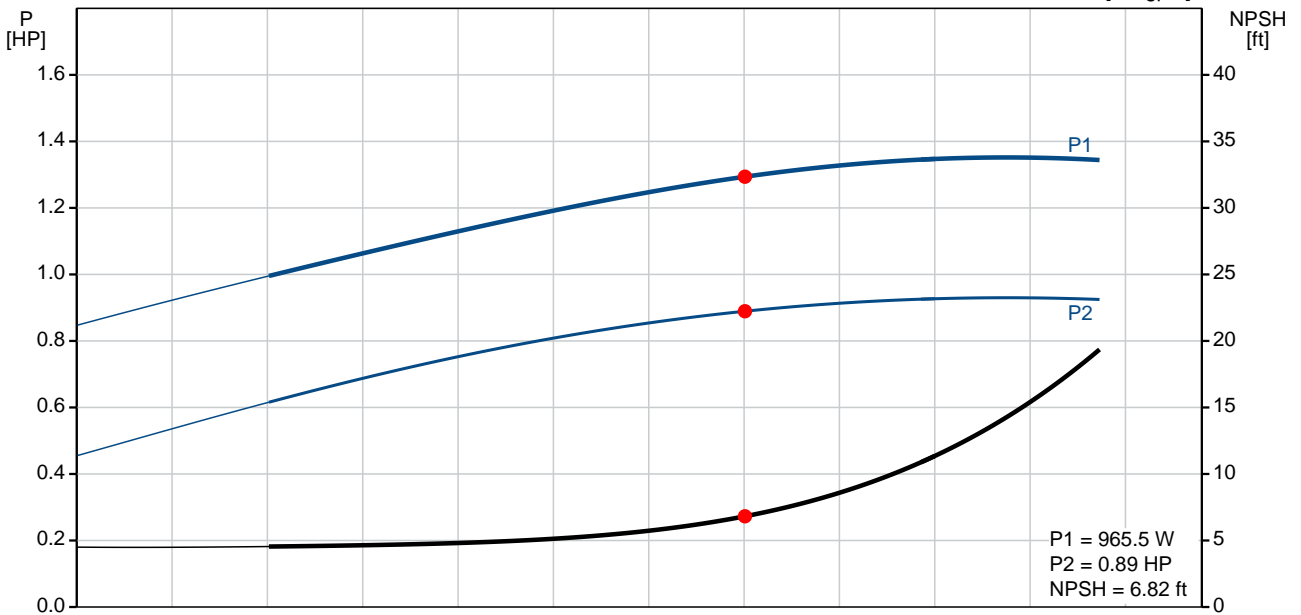
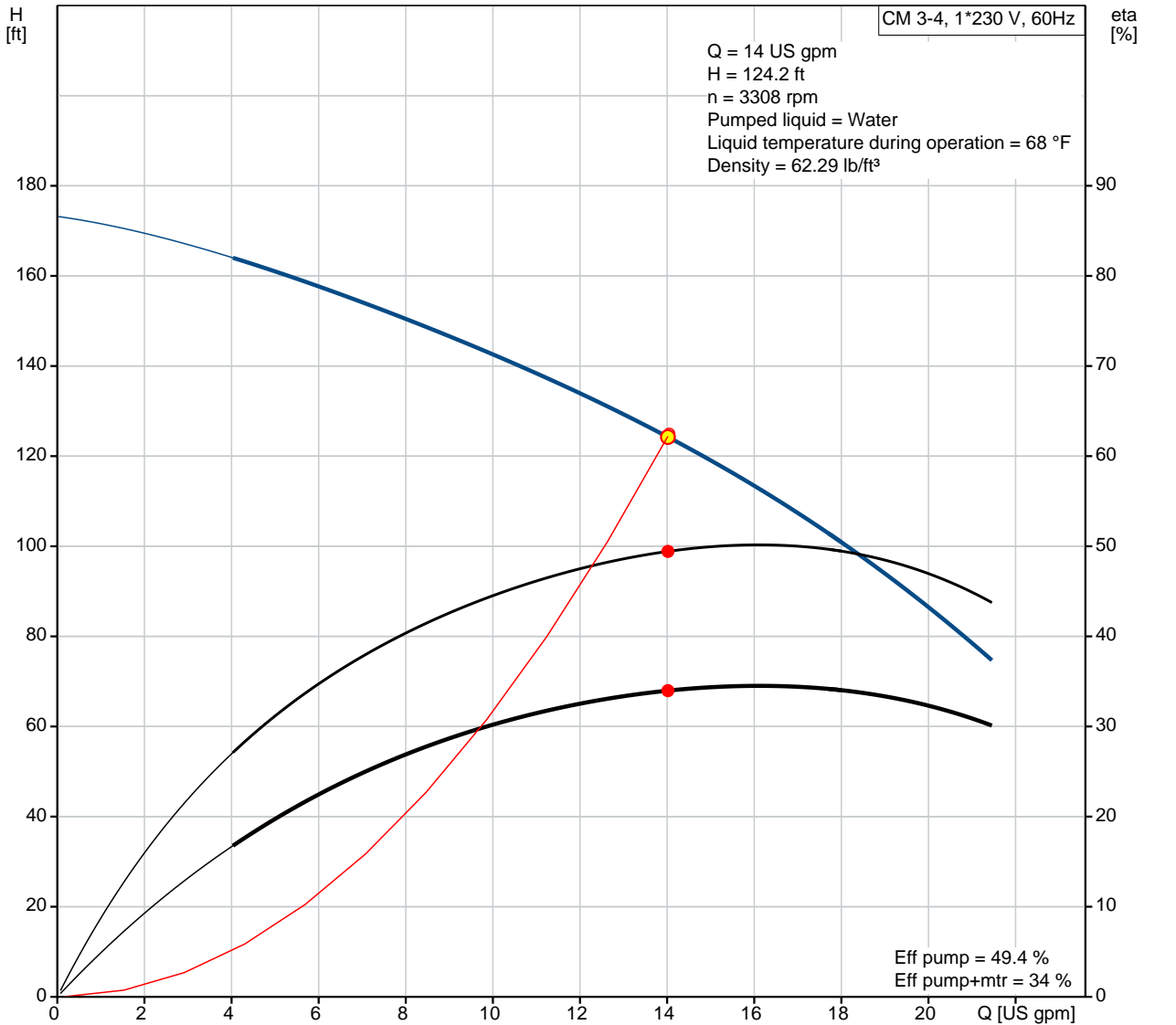
Created by:

Phone:

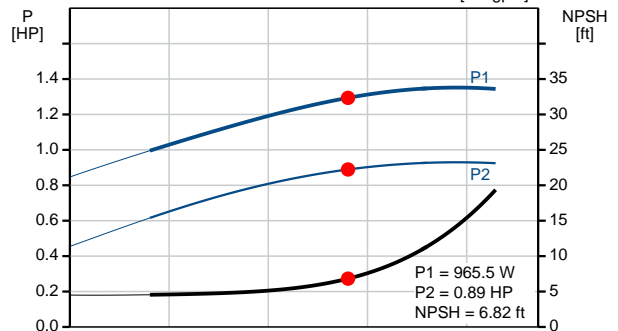
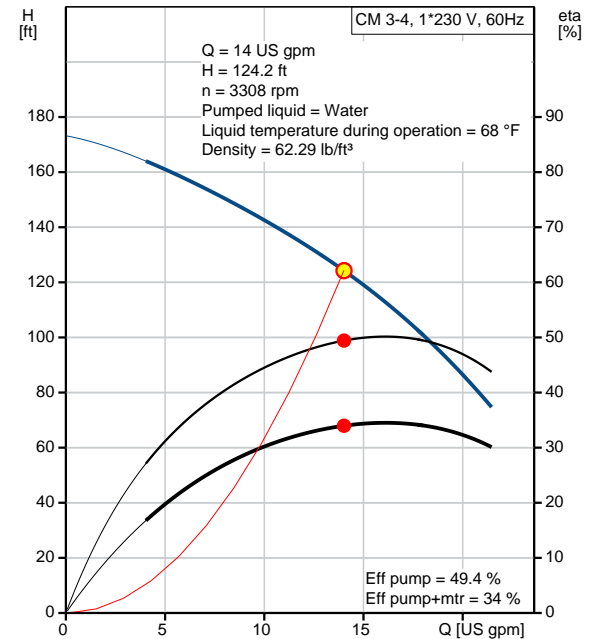
Date:

4/3/2020

On request CM 3-4 A-S-G-V-AQQV B-A-A-N 60 Hz



Description	Value
General information:	
Product name:	CM 3-4 A-S-G-V-AQQV B-A-A-N
Product No.:	On request
EAN:	On request
Technical:	
Pump speed on which pump data are based:	3480 rpm
Actual calculated flow:	14 US gpm
Rated flow:	16.4 US gpm
Resulting head of the pump:	124.2 ft
Rated head:	129.4 ft
Impellers:	4
Code for shaft seal:	AQQV
Curve tolerance:	ISO9906:2012 3B
Pump version:	A
Model:	A
Materials:	
Pump housing:	Stainless steel EN 1.4401 AISI 316
Impeller:	Stainless steel EN 1.4401 AISI 316
Material code:	G
Code for rubber:	V
Installation:	
Range of ambient temperature:	-4 .. 131 °F
Maximum operating pressure:	232.06 psi
Max pressure at stated temperature:	232 psi / 194 °F 145 psi / 250 °F
Type of connection:	NPT(F)
Size of suction port:	1 inch
Size of outlet port:	1 inch
Outlet position:	12
Connect code:	S
Liquid:	
Pumped liquid:	Water
Liquid temperature range:	-4 .. 248 °F
Selected liquid temperature:	68 °F
Density:	62.29 lb/ft ³
Electrical data:	
Motor standard:	NEMA
Frame size:	80A
Rated power - P2:	1.05 HP
Main frequency:	60 Hz
Suitable for 50/60 Hz:	N
Phase:	1
Rated voltage:	115/230 V
Service factor:	1.00
Rated current:	10.6/5.4 A
Starting current:	300-300 %
Rated speed:	3240 rpm
Enclosure class (IEC 34-5):	IP55
Insulation class (IEC 85):	F
Built-in motor protection:	NONE
Controls:	





Company name:

Created by:

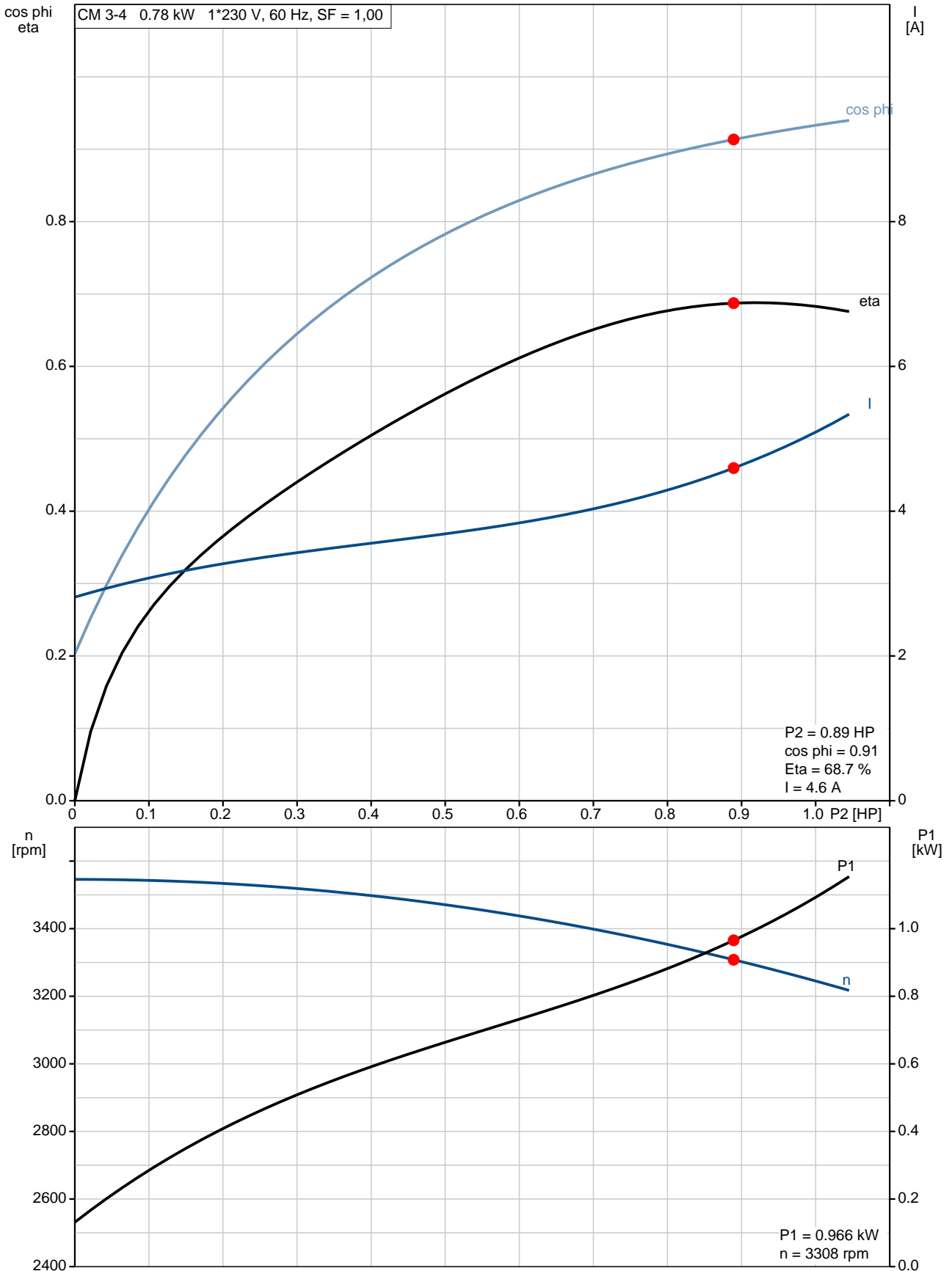
Phone:

Date:

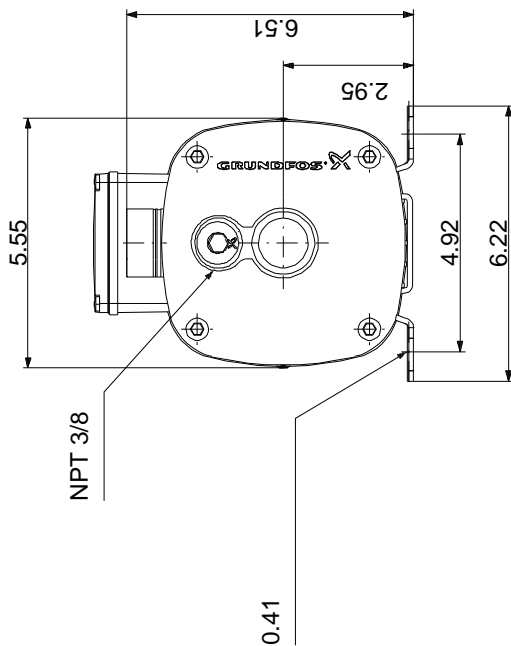
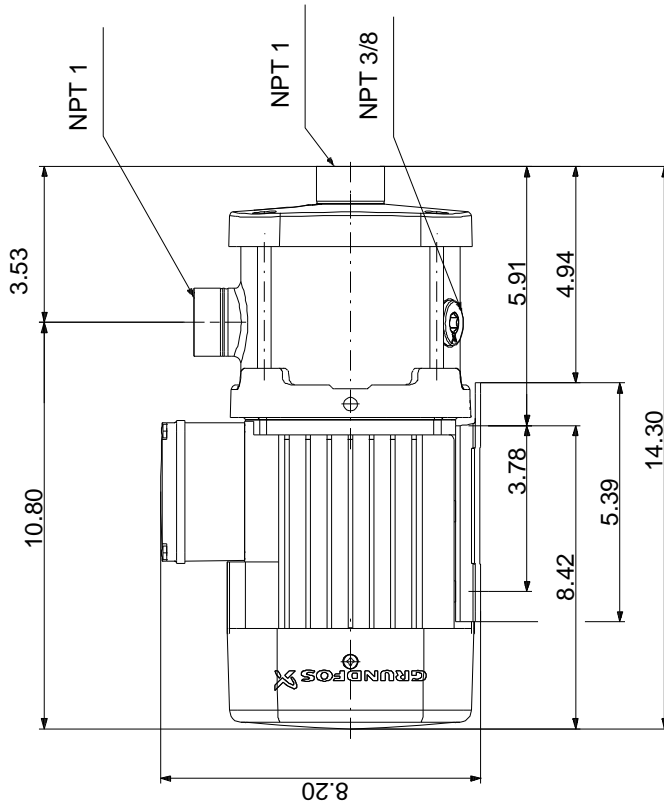
4/3/2020

Description	Value
Frequency converter:	NONE
Others:	
Terminal box position:	12
Minimum efficiency index, MEI â%o€:	0.7
Net weight:	31.2 lb
Gross weight:	36.7 lb
Approvals:	CE,CULUS,WRAS,ACS,TR,EA C,CURUS
Country of origin:	US
Custom tariff no.:	8413.70.2040

On request CM 3-4 A-S-G-V-AQQV B-A-A-N 60 Hz



On request CM 3-4 A-S-G-V-AQQV B-A-A-N 60 Hz



Note! All units are in [in] unless otherwise stated.
 Disclaimer: This simplified dimensional drawing does not show all details.

On request CM 3-4 A-S-G-V-AQQV B-A-A-N 60 Hz

SUITABLE FOR FIELD CONNECTION

