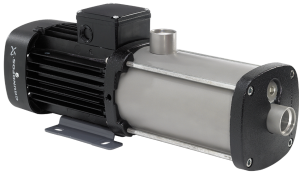


PROJECT: _____	UNIT TAG: _____	QUANTITY: _____
REPRESENTATIVE: _____	TYPE OF SERVICE: _____	DATE: _____
ENGINEER: _____	SUBMITTED BY: _____	DATE: _____
CONTRACTOR: _____	APPROVED BY: _____	DATE: _____
	ORDER NO.: _____	DATE: _____

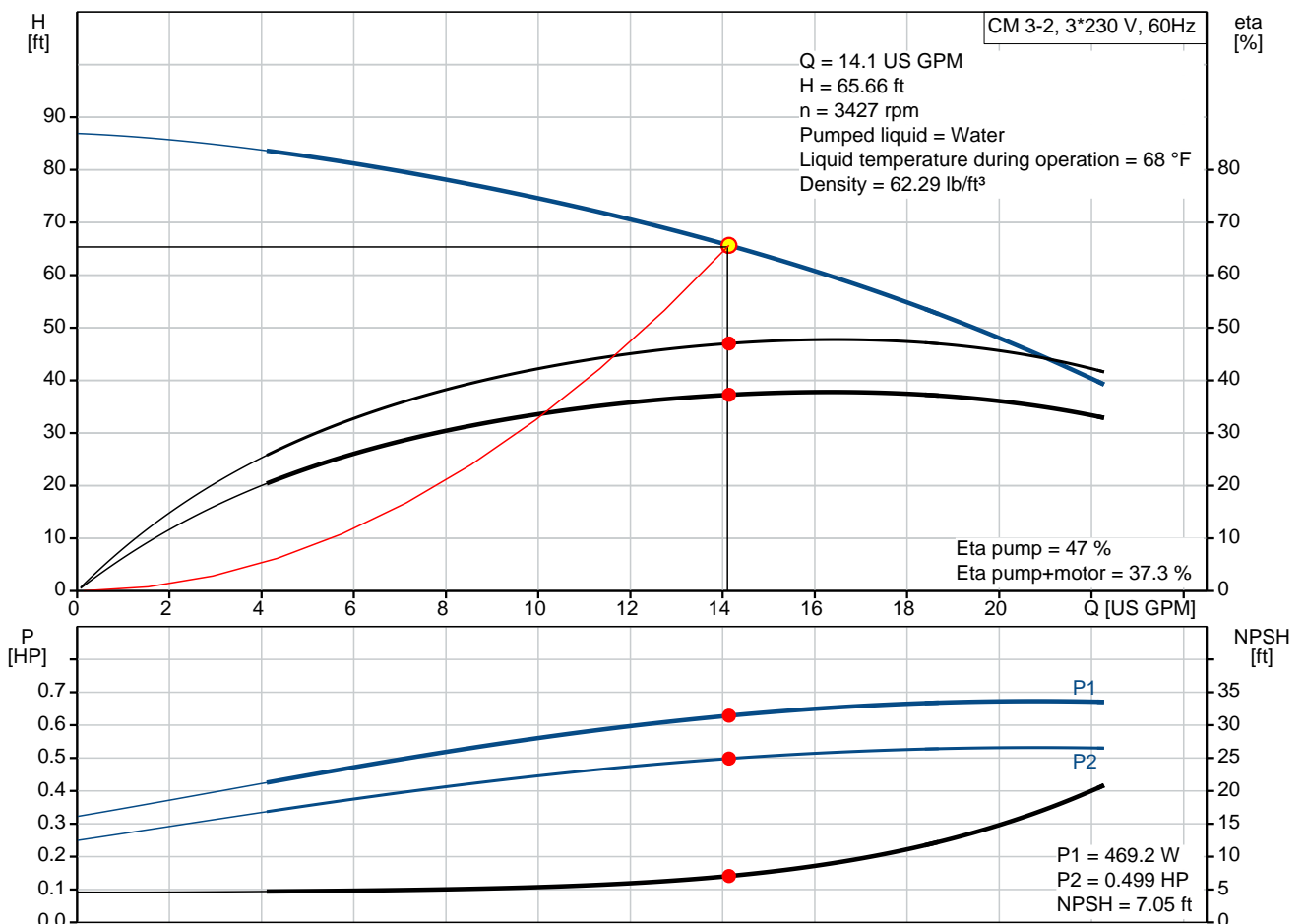
### CM 3-2 A-S-G-V-AQQV E-A-A-N

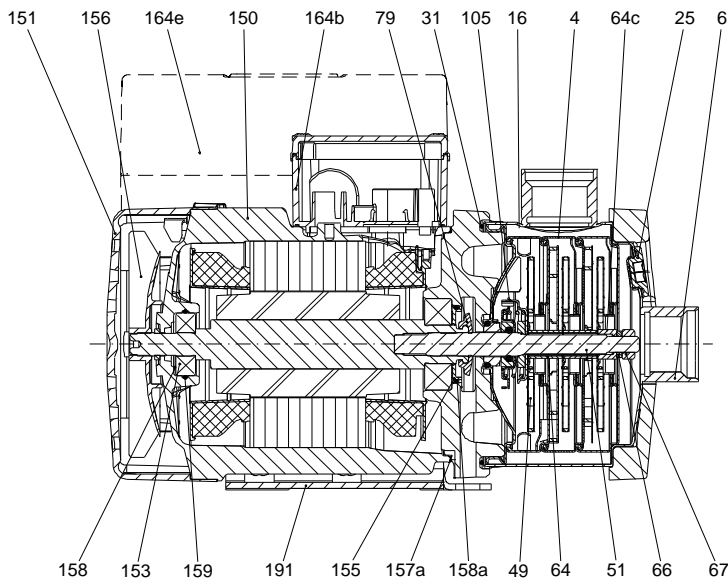
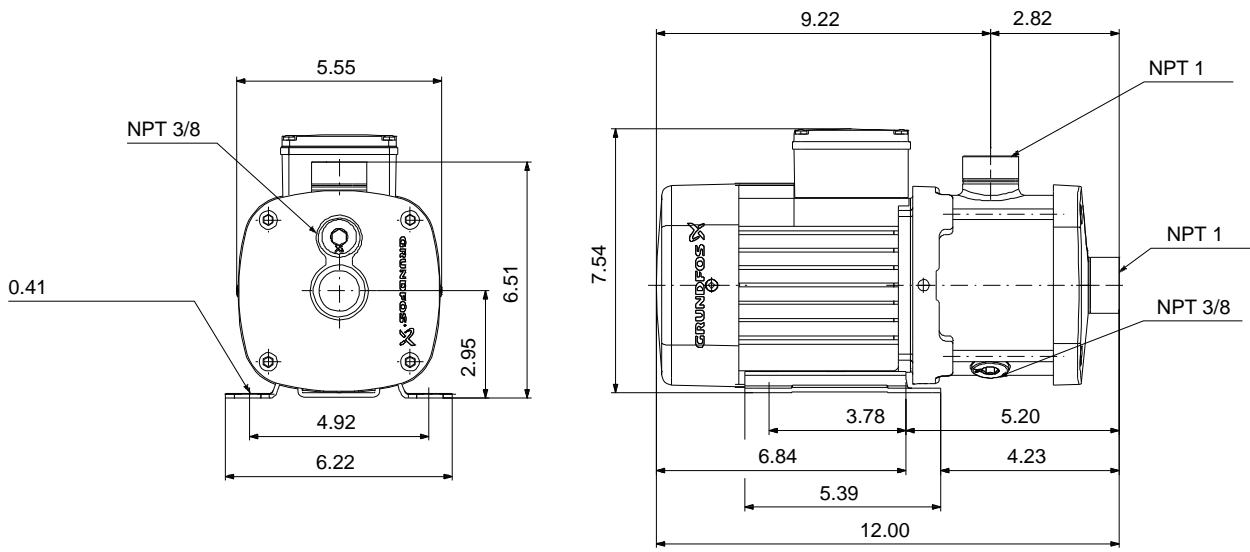


CM are reliable, quiet and compact horizontal end-suction pumps. The modular pump design makes it easy to make customised solutions. The CM pumps are available in cast iron and stainless steel

Note! Product picture may differ from actual product

Conditions of Service		Pump Data		Motor Data	
Flow:	14.1 US GPM	Max pressure at stated temp:	232 psi / 194 °F	Mains frequency:	60 Hz
Head:	65.66 ft	Liquid temperature range:	-4 .. 248 °F	Enclosure class:	IP55
Efficiency:	37.3 %	Maximum ambient temperature:	131 °F		
Liquid:	Water	Shaft seal:	AQQV		
Temperature:	68 °F	Product number:	96806913		
NPSH required:	7.05 ft				
Viscosity:	_____				
Specific Gravity:	1.000				





**Materials:**

Pump housing: Stainless steel  
AISI 316

Impeller: Stainless steel  
AISI 316  
EN 1.4401

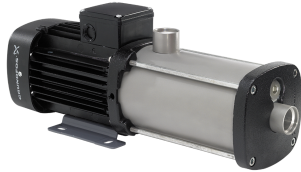
Material code: G

Code for rubber: V

165x100

**Qty. Description**

1 CM 3-2 A-S-G-V-AQQV E-A-A-N



Note! Product picture may differ from actual product

Product No.: [96806913](#)

Compact, reliable, horizontal, multistage, end-suction centrifugal pump with axial suction port and radial discharge port. Pump materials in contact with the liquid are in high-grade stainless steel. The mechanical shaft seal is a special designed, unbalanced O-ring seal. Pipework connection is via internal NPT pipe threads.

The pump is fitted with a 3-phase, foot-mounted, fan-cooled asynchronous motor.

**Controls:**

Frequency converter: NONE

**Liquid:**Pumped liquid: Water  
Liquid temperature range: -4 .. 248 °F  
Selected liquid temperature: 68 °F  
Density: 62.29 lb/ft<sup>3</sup>**Technical:**Pump speed on which pump data are based: 3480 rpm  
Actual calculated flow: 14.1 US GPM  
Rated flow: 16.4 US GPM  
Resulting head of the pump: 65.66 ft  
Rated head: 62.67 ft  
Code for shaft seal: AQQV  
Curve tolerance: ISO9906:2012 3B**Materials:**Pump housing: Stainless steel  
EN 1.4401  
AISI 316  
Impeller: Stainless steel  
EN 1.4401  
AISI 316**Installation:**Range of ambient temperature: -4 .. 131 °F  
Maximum operating pressure: 232.06 psi  
Max pressure at stated temp: 232 psi / 194 °F  
145 psi / 250 °F  
Type of connection: NPT(F)  
Size of inlet connection: 1 inch  
Size of outlet connection: 1 inch  
Outlet position: 12**Electrical data:**Motor standard: NEMA  
Frame size: 71A



Company name:

Created by:

Phone:

Date:

03/04/2020

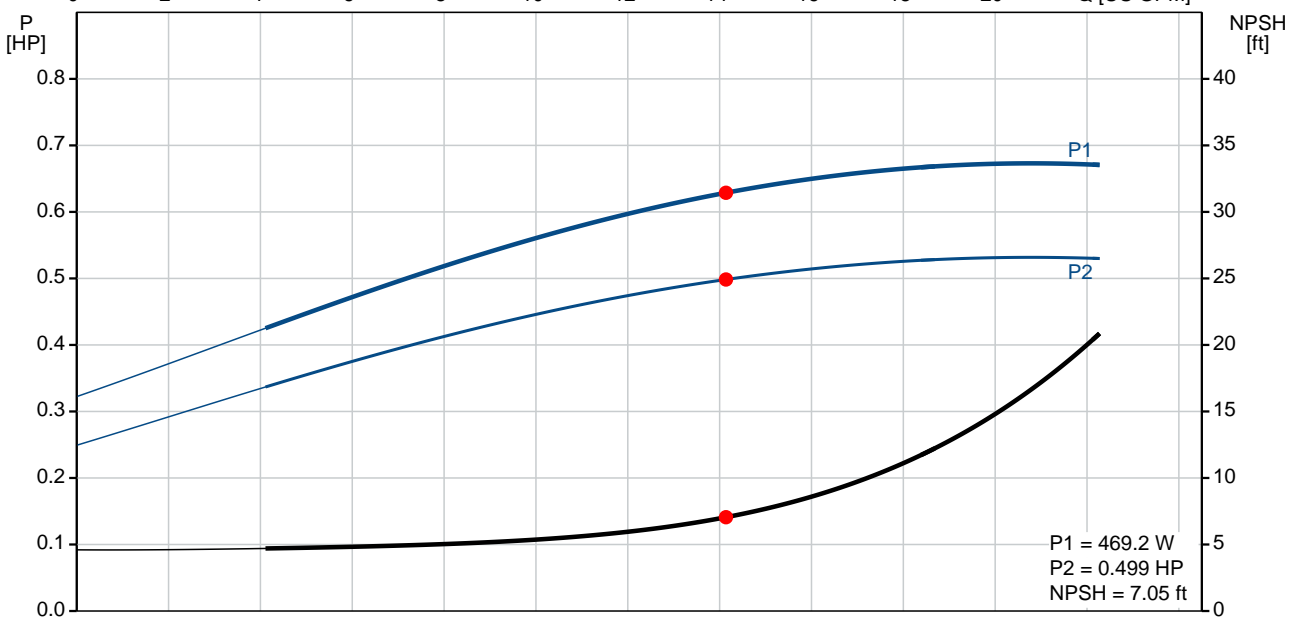
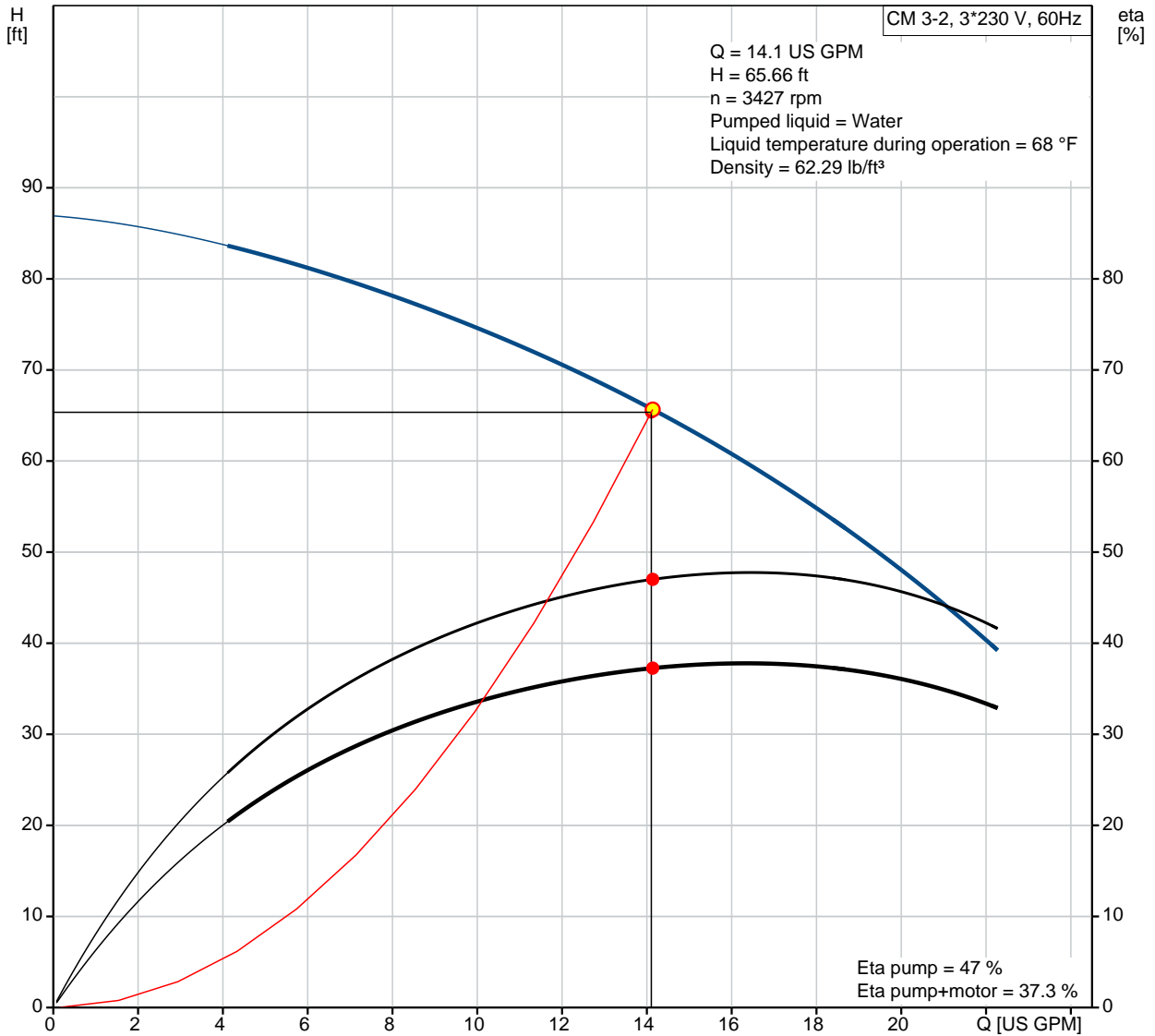
Qty.	Description
	Rated power - P2: 0.577 HP Mains frequency: 60 Hz Suitable for 50/60 Hz: N Phases: 3 Rated voltage: 208-230YY/440-480Y V Service factor: 1.00 Rated current: 1,9-1,7/1,0-0,8 A Rated speed: 3360-3420 rpm Enclosure class (IEC 34-5): IP55 Insulation class (IEC 85): F Built-in motor protection: NONE
	<b>Others:</b> Terminal box position: 12 Minimum efficiency index, MEI $\eta_{\%}$ : 0.7 Net weight: 25.7 lb Gross weight: 31.2 lb Approvals: CE,CULUS,WRAS,ACS,TR,EAC,CURUS Country of origin: US Custom tariff no.: 8413.70.2040



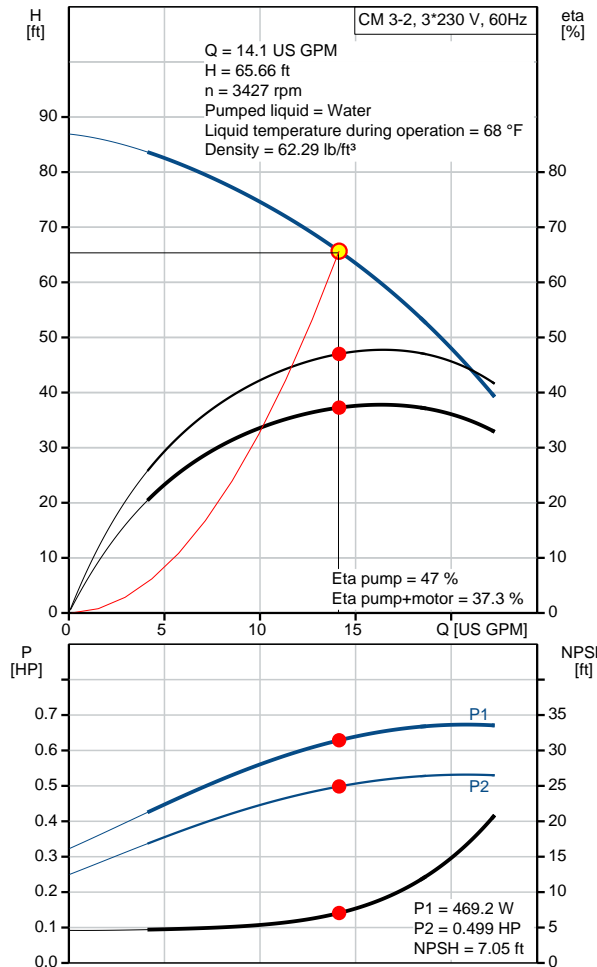
Company name:  
Created by:  
Phone:

Date: 03/04/2020

### 96806913 CM 3-2 A-S-G-V-AQQV E-A-A-N 60 Hz



Description	Value
<b>General information:</b>	
Product name:	CM 3-2 A-S-G-V-AQQV E-A-A-N
Product No:	96806913
EAN number:	5700310918600 5700310918600
<b>Technical:</b>	
Pump speed on which pump data are based:	3480 rpm
Actual calculated flow:	14.1 US GPM
Rated flow:	16.4 US GPM
Resulting head of the pump:	65.66 ft
Rated head:	62.67 ft
Impellers:	2
Code for shaft seal:	AQQV
Curve tolerance:	ISO9906:2012 3B
Pump version:	A
Model:	A
<b>Materials:</b>	
Pump housing:	Stainless steel EN 1.4401 AISI 316
Impeller:	Stainless steel EN 1.4401 AISI 316
Material code:	G
Code for rubber:	V
<b>Installation:</b>	
Range of ambient temperature:	-4 .. 131 °F
Maximum operating pressure:	232.06 psi
Max pressure at stated temp:	232 psi / 194 °F 145 psi / 250 °F
Type of connection:	NPT(F)
Size of inlet connection:	1 inch
Size of outlet connection:	1 inch
Outlet position:	12
Connect code:	S
<b>Liquid:</b>	
Pumped liquid:	Water
Liquid temperature range:	-4 .. 248 °F
Selected liquid temperature:	68 °F
Density:	62.29 lb/ft <sup>3</sup>
<b>Electrical data:</b>	
Motor standard:	NEMA
Frame size:	71A
Rated power - P2:	0.577 HP
Mains frequency:	60 Hz
Suitable for 50/60 Hz:	N
Phases:	3
Rated voltage:	208-230YY/440-480Y V
Service factor:	1.00
Rated current:	1,9-1,7/1,0-0,8 A
Rated speed:	3360-3420 rpm
Enclosure class (IEC 34-5):	IP55
Insulation class (IEC 85):	F
Built-in motor protection:	NONE
<b>Controls:</b>	
Frequency converter:	NONE
<b>Others:</b>	





Company name:

Created by:

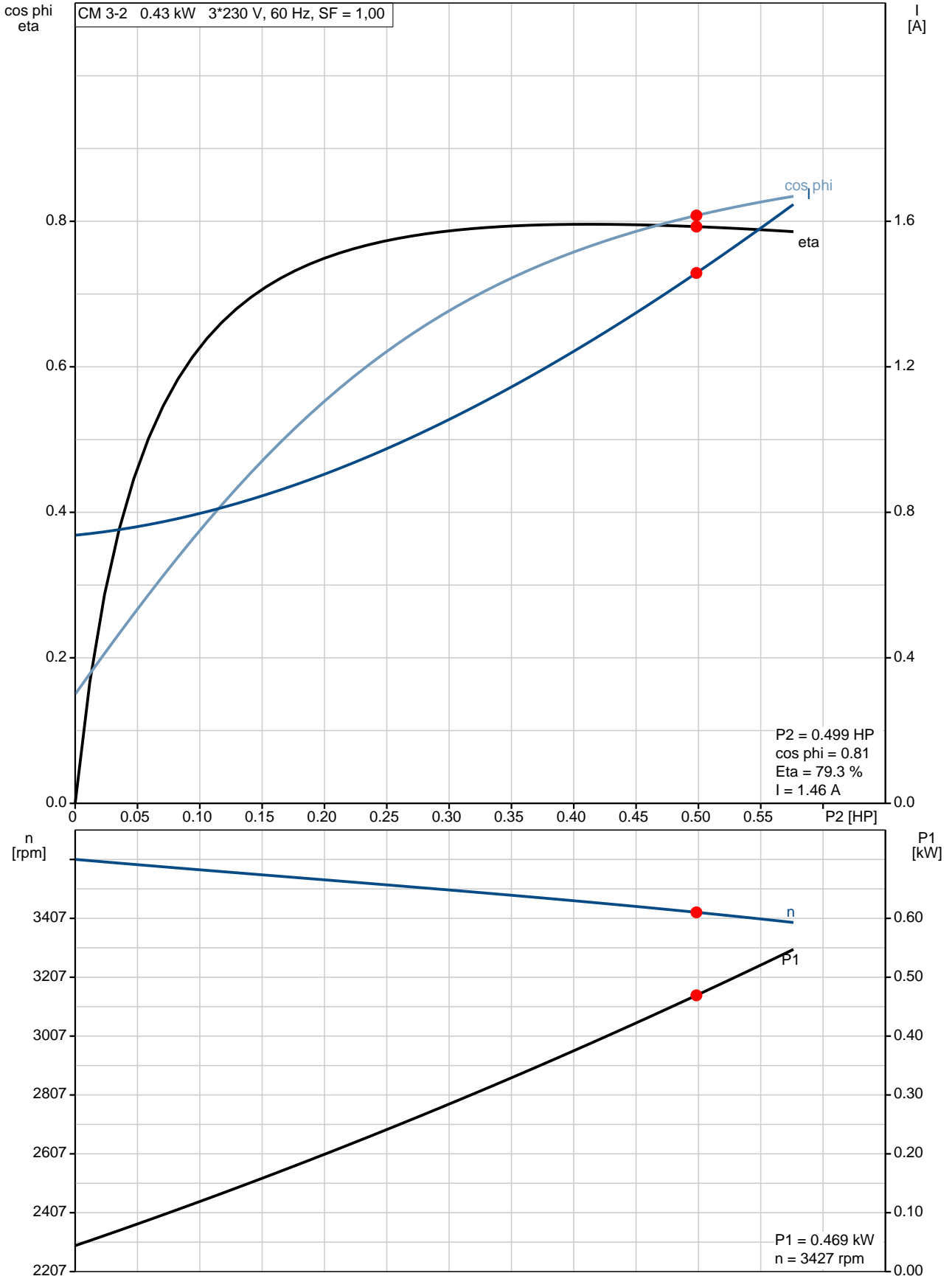
Phone:

Date:

03/04/2020

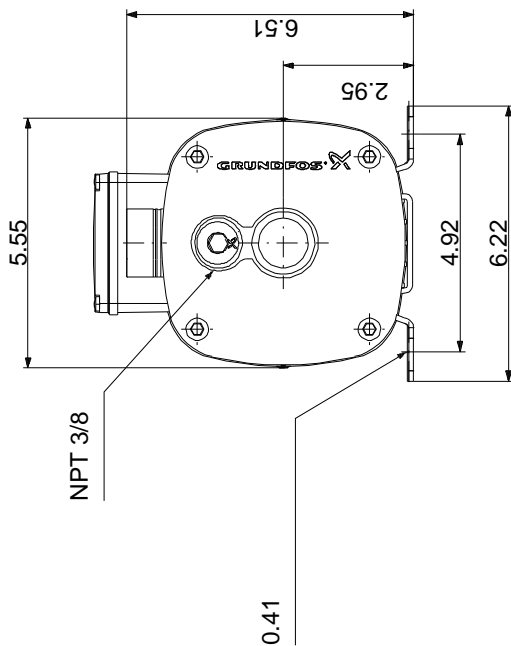
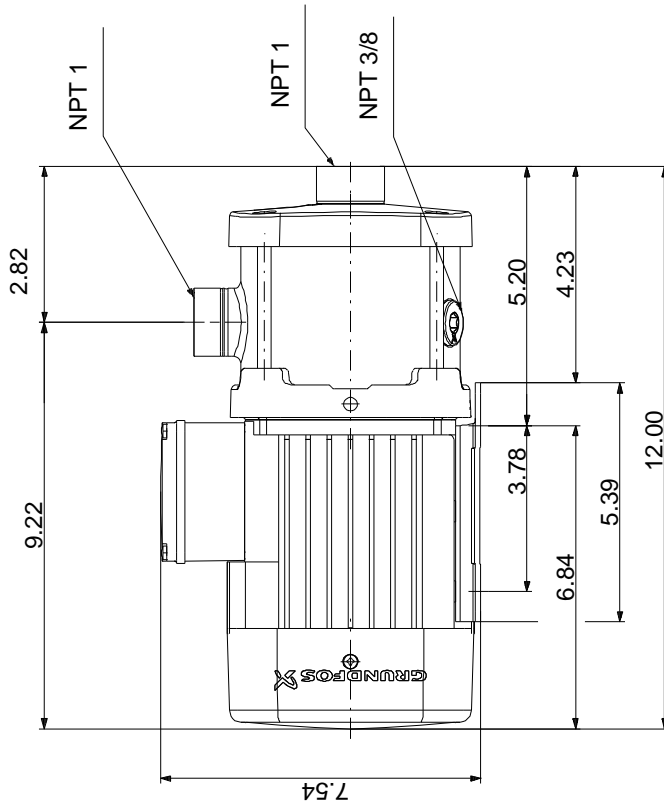
Description	Value
Terminal box position:	12
Minimum efficiency index, MEI â%¥:	0.7
Net weight:	25.7 lb
Gross weight:	31.2 lb
Approvals:	CE,CULUS,WRAS,ACS,TR,EA C,CURUS
Country of origin:	US
Custom tariff no.:	8413.70.2040

## 96806913 CM 3-2 A-S-G-V-AQQV E-A-A-N 60 Hz





## 96806913 CM 3-2 A-S-G-V-AQQV E-A-A-N 60 Hz



Note! All units are in [in] unless others are stated.  
Disclaimer: This simplified dimensional drawing does not show all details.

## 96806913 CM 3-2 A-S-G-V-AQQV E-A-A-N 60 Hz

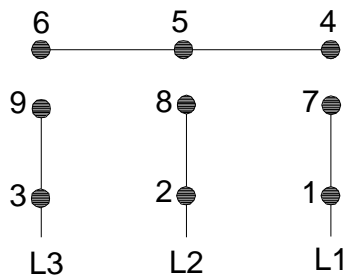


### WARNING

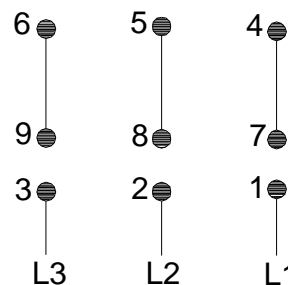
MOTOR MUST BE GROUNDED IN ACCORDANCE WITH THE NATIONAL ELECTRICAL CODE AND LOCAL CODES BY TRAINED PERSONNEL TO PREVENT SERIOUS ELECTRICAL SHOCKS.

TO SERVICE MOTOR, DISCONNECT POWER SOURCE FROM MOTOR AND ANY ACCESSORY DEVICES AND ALLOW MOTOR TO COME TO A COMPLETE STAND STILL.

#### LOW VOLTAGE 60Hz. 208-230V

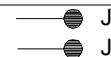


#### HIGH VOLTAGE 60Hz: 460V 50Hz: 400V



96553852

INTERCHANGE ANY TWO LINE WIRES TO REVERSE ROTATION  
THERMOSTAT LEADS  
(WHEN PROVIDED)



Note! All units are in [in] unless others are stated.