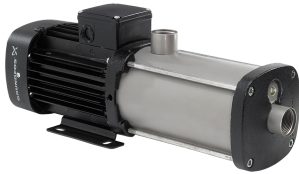


PROJECT: _____	UNIT TAG: _____	QUANTITY: _____
REPRESENTATIVE: _____	TYPE OF SERVICE: _____	DATE: _____
ENGINEER: _____	SUBMITTED BY: _____	DATE: _____
CONTRACTOR: _____	APPROVED BY: _____	DATE: _____
	ORDER NO.: _____	DATE: _____

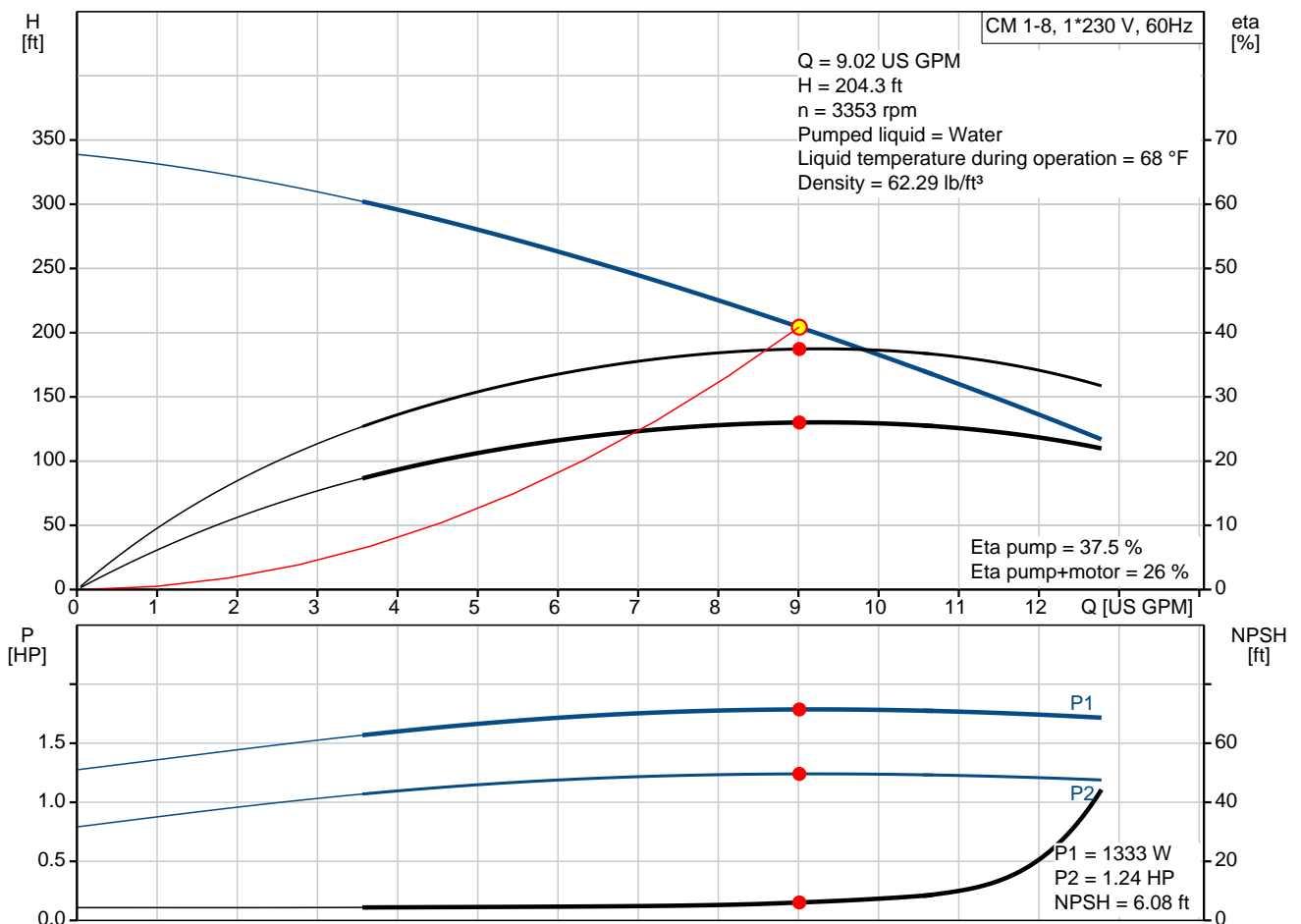
CM 1-8 A-S-G-E-AQQE B-A-A-N

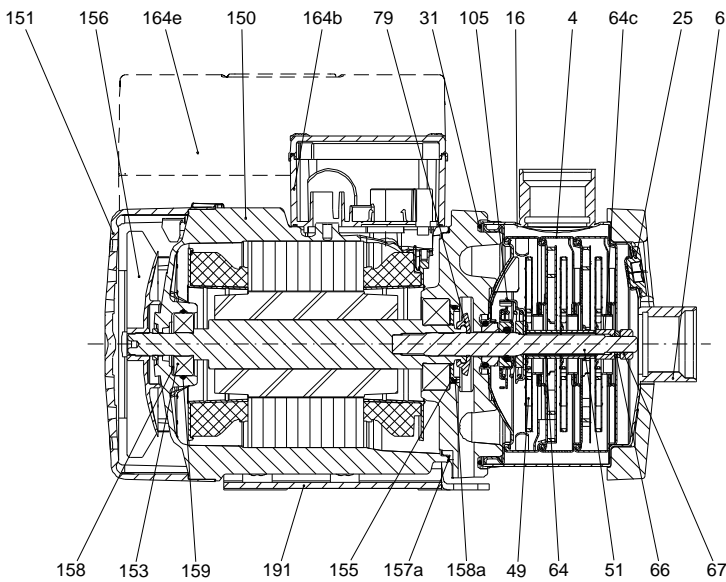
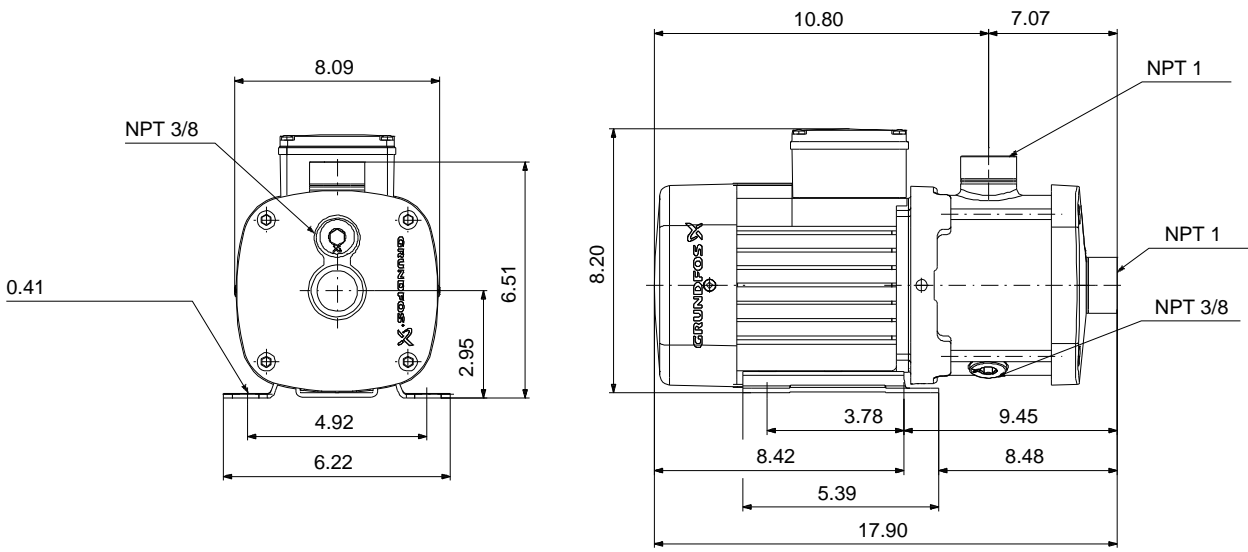


CM are reliable, quiet and compact horizontal end-suction pumps. The modular pump design makes it easy to make customised solutions. The CM pumps are available in cast iron and stainless steel

Note! Product picture may differ from actual product

Conditions of Service		Pump Data		Motor Data	
Flow:	9.02 US GPM	Max pressure at stated temp:	232 psi / 194 °F	Mains frequency:	60 Hz
Head:	204.3 ft	Liquid temperature range:	-4 .. 248 °F	Enclosure class:	IP55
Efficiency:	26 %	Maximum ambient temperature:	131 °F		
Liquid:	Water	Shaft seal:	AQQE		
Temperature:	68 °F	Product number:	96935556		
NPSH required:	6.08 ft				
Viscosity:	_____				
Specific Gravity:	1.000				





Materials:

Pump housing: Stainless steel
AISI 316

Impeller: Stainless steel
AISI 316
EN 1.4401

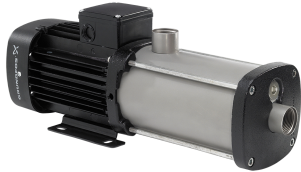
Material code: G

Code for rubber: E

165x100

Qty. Description

1 CM 1-8 A-S-G-E-AQQE B-A-A-N



Note! Product picture may differ from actual product

Product No.: [96935556](#)

Compact, reliable, horizontal, multistage, end-suction centrifugal pump with axial suction port and radial discharge port. Pump materials in contact with the liquid are in high-grade stainless steel. The mechanical shaft seal is a special designed, unbalanced O-ring seal. Pipework connection is via internal NPT pipe threads.

The pump is fitted with a 1-phase, foot-mounted, fan-cooled asynchronous motor.

Controls:

Frequency converter: NONE

Liquid:

Pumped liquid: Water
 Liquid temperature range: -4 .. 248 °F
 Selected liquid temperature: 68 °F
 Density: 62.29 lb/ft³

Technical:

Pump speed on which pump data are based: 3480 rpm
 Actual calculated flow: 9.02 US GPM
 Rated flow: 8.98 US GPM
 Resulting head of the pump: 204.3 ft
 Rated head: 238.1 ft
 Code for shaft seal: AQQE
 Curve tolerance: ISO9906:2012 3B

Materials:

Pump housing: Stainless steel
 EN 1.4401
 AISI 316
 Impeller: Stainless steel
 EN 1.4401
 AISI 316

Installation:

Range of ambient temperature: -4 .. 131 °F
 Maximum operating pressure: 232.06 psi
 Max pressure at stated temp: 232 psi / 194 °F
 145 psi / 250 °F
 Type of connection: NPT(F)
 Size of inlet connection: 1 inch
 Size of outlet connection: 1 inch
 Outlet position: 12

Electrical data:

Motor standard: NEMA
 Frame size: 80B



Company name:

Created by:

Phone:

Date:

02/04/2020

Qty. Description

Rated power - P2: 1.48 HP
Mains frequency: 60 Hz
Suitable for 50/60 Hz: N
Phases: 1
Rated voltage: 115/230 V
Service factor: 1.00
Rated current: 14.6/7.3 A
Starting current: 320-320 %
Rated speed: 3320 rpm
Enclosure class (IEC 34-5): IP55
Insulation class (IEC 85): F
Built-in motor protection: NONE

Others:

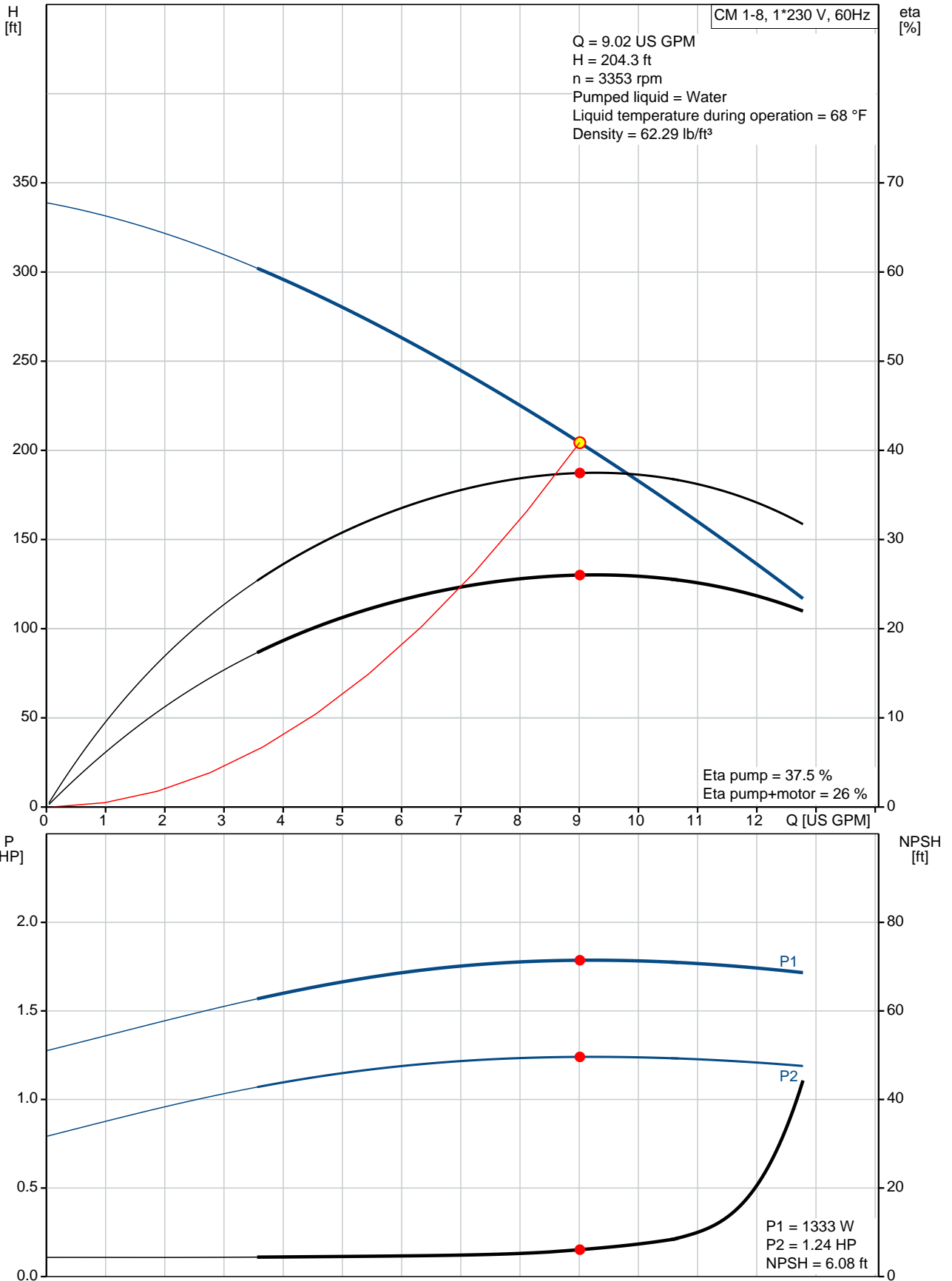
Terminal box position: 12
Minimum efficiency index, MEI η : 0.68
Net weight: 37.2 lb
Gross weight: 42.7 lb
Approvals: CE,CULUS,WRAS,ACS,TR,EAC,CURUS
Country of origin: US
Custom tariff no.: 8413.70.2040



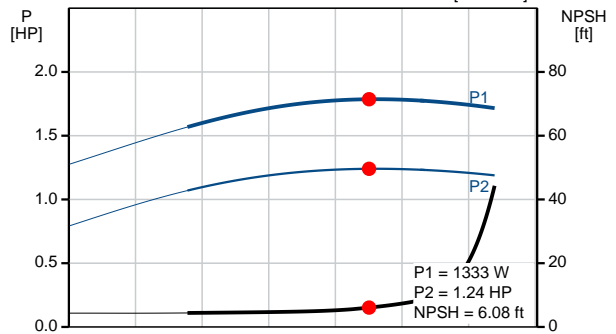
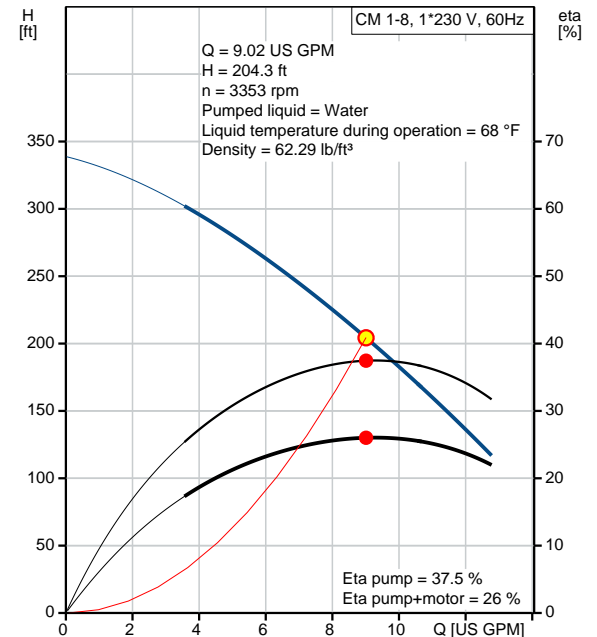
Company name:
Created by:
Phone:

Date: 02/04/2020

96935556 CM 1-8 A-S-G-E-AQQE B-A-A-N 60 Hz



Description	Value
General information:	
Product name:	CM 1-8 A-S-G-E-AQQE B-A-A-N
Product No:	96935556
EAN number:	5700314054649 5700314054649
Technical:	
Pump speed on which pump data are based:	3480 rpm
Actual calculated flow:	9.02 US GPM
Rated flow:	8.98 US GPM
Resulting head of the pump:	204.3 ft
Rated head:	238.1 ft
Impellers:	8
Code for shaft seal:	AQQE
Curve tolerance:	ISO9906:2012 3B
Pump version:	A
Model:	A
Materials:	
Pump housing:	Stainless steel EN 1.4401 AISI 316
Impeller:	Stainless steel EN 1.4401 AISI 316
Material code:	G
Code for rubber:	E
Installation:	
Range of ambient temperature:	-4 .. 131 °F
Maximum operating pressure:	232.06 psi
Max pressure at stated temp:	232 psi / 194 °F 145 psi / 250 °F
Type of connection:	NPT(F)
Size of inlet connection:	1 inch
Size of outlet connection:	1 inch
Outlet position:	12
Connect code:	S
Liquid:	
Pumped liquid:	Water
Liquid temperature range:	-4 .. 248 °F
Selected liquid temperature:	68 °F
Density:	62.29 lb/ft ³
Electrical data:	
Motor standard:	NEMA
Frame size:	80B
Rated power - P2:	1.48 HP
Mains frequency:	60 Hz
Suitable for 50/60 Hz:	N
Phases:	1
Rated voltage:	115/230 V
Service factor:	1.00
Rated current:	14.6/7.3 A
Starting current:	320-320 %
Rated speed:	3320 rpm
Enclosure class (IEC 34-5):	IP55
Insulation class (IEC 85):	F
Built-in motor protection:	NONE
Controls:	
Frequency converter:	NONE





Company name:

Created by:

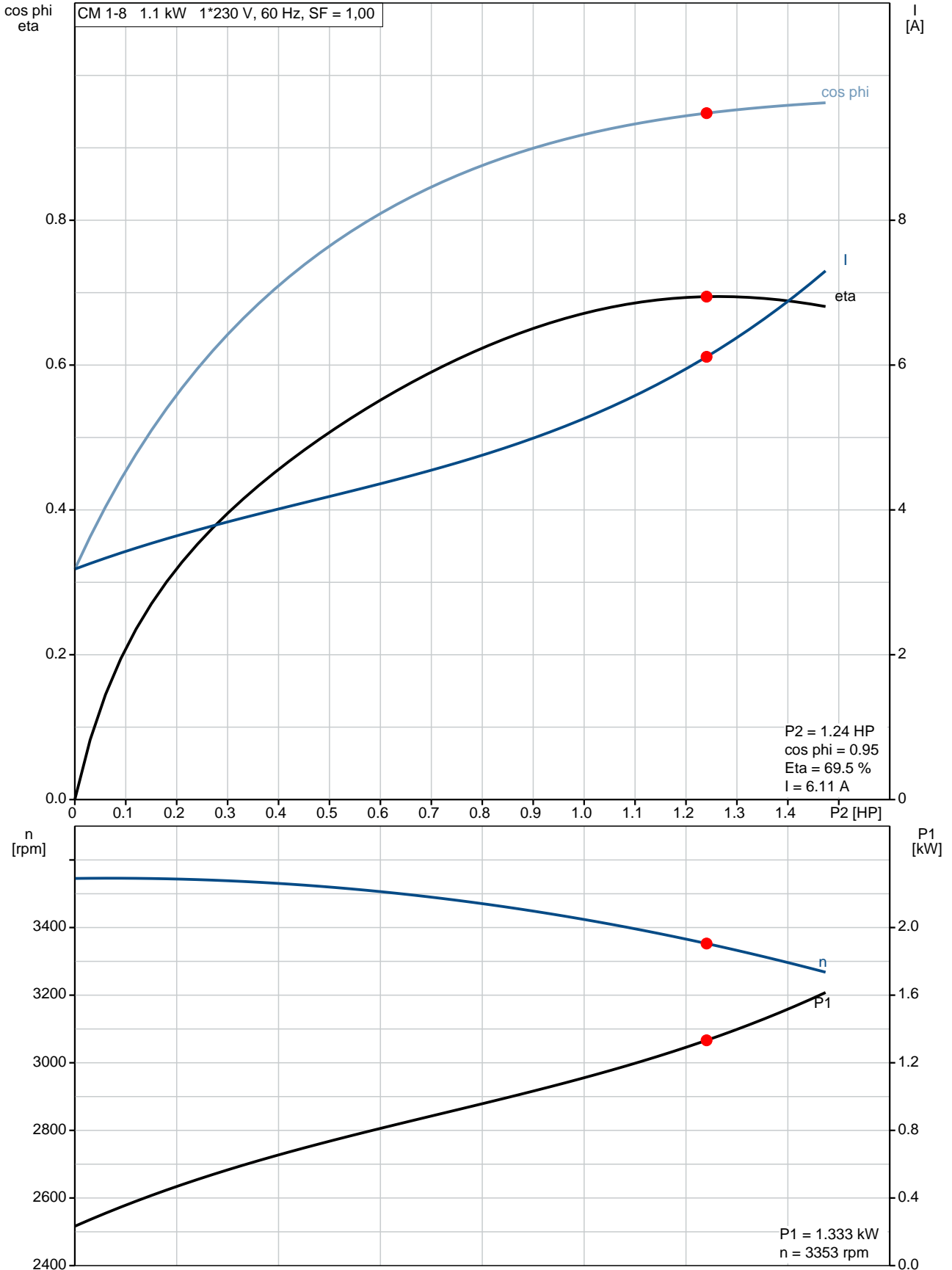
Phone:

Date:

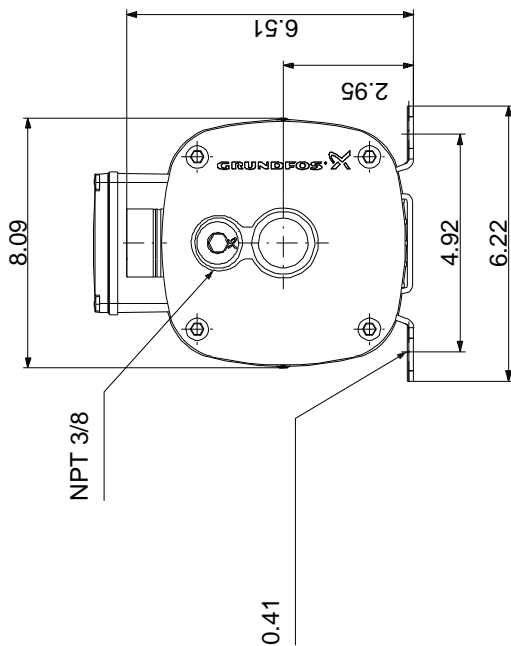
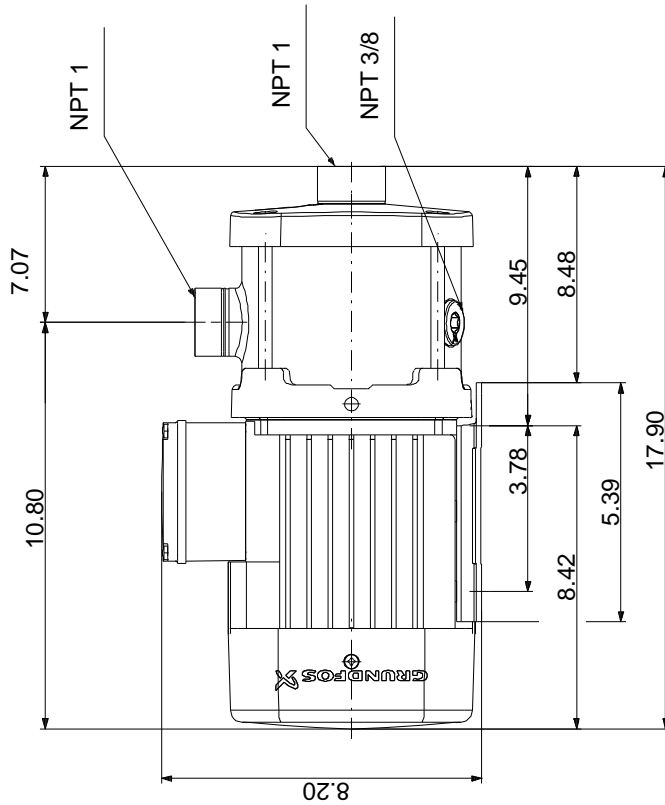
02/04/2020

Description	Value
Others:	
Terminal box position:	12
Minimum efficiency index, MEI â%¥:	0.68
Net weight:	37.2 lb
Gross weight:	42.7 lb
Approvals:	CE,CULUS,WRAS,ACS,TR,EA C,CURUS
Country of origin:	US
Custom tariff no.:	8413.70.2040

96935556 CM 1-8 A-S-G-E-AQQE B-A-A-N 60 Hz



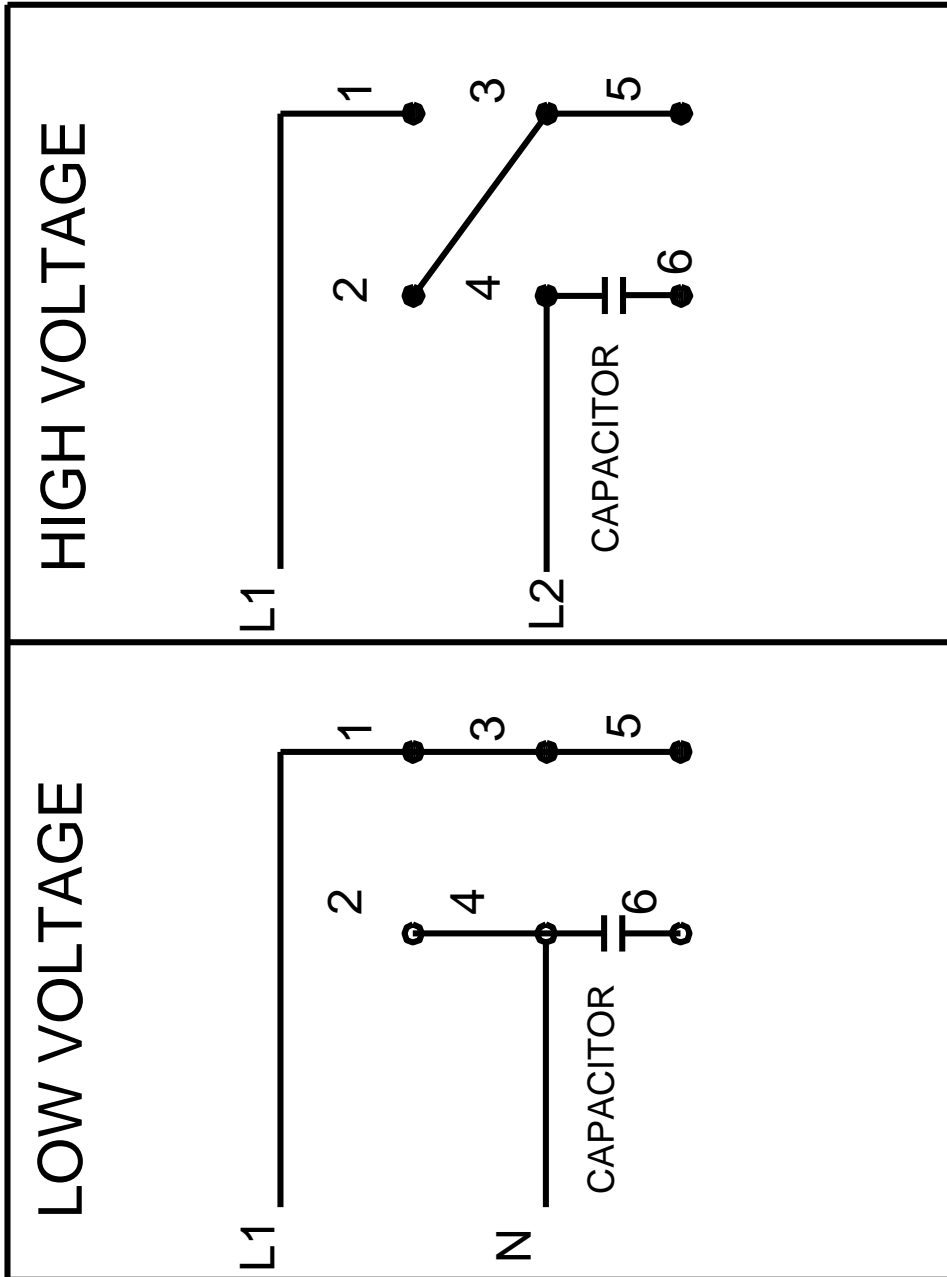
96935556 CM 1-8 A-S-G-E-AQQE B-A-A-N 60 Hz



Note! All units are in [in] unless others are stated.
Disclaimer: This simplified dimensional drawing does not show all details.

96935556 CM 1-8 A-S-G-E-AQQE B-A-A-N 60 Hz

SUITABLE FOR FIELD CONNECTION



Note! All units are in [in] unless others are stated.