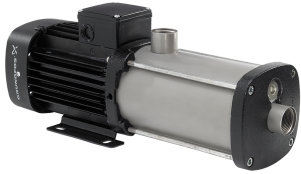


PROJECT: _____	UNIT TAG: _____	QUANTITY: _____
REPRESENTATIVE: _____	TYPE OF SERVICE: _____	DATE: _____
ENGINEER: _____	SUBMITTED BY: _____	DATE: _____
CONTRACTOR: _____	APPROVED BY: _____	DATE: _____
	ORDER NO.: _____	DATE: _____

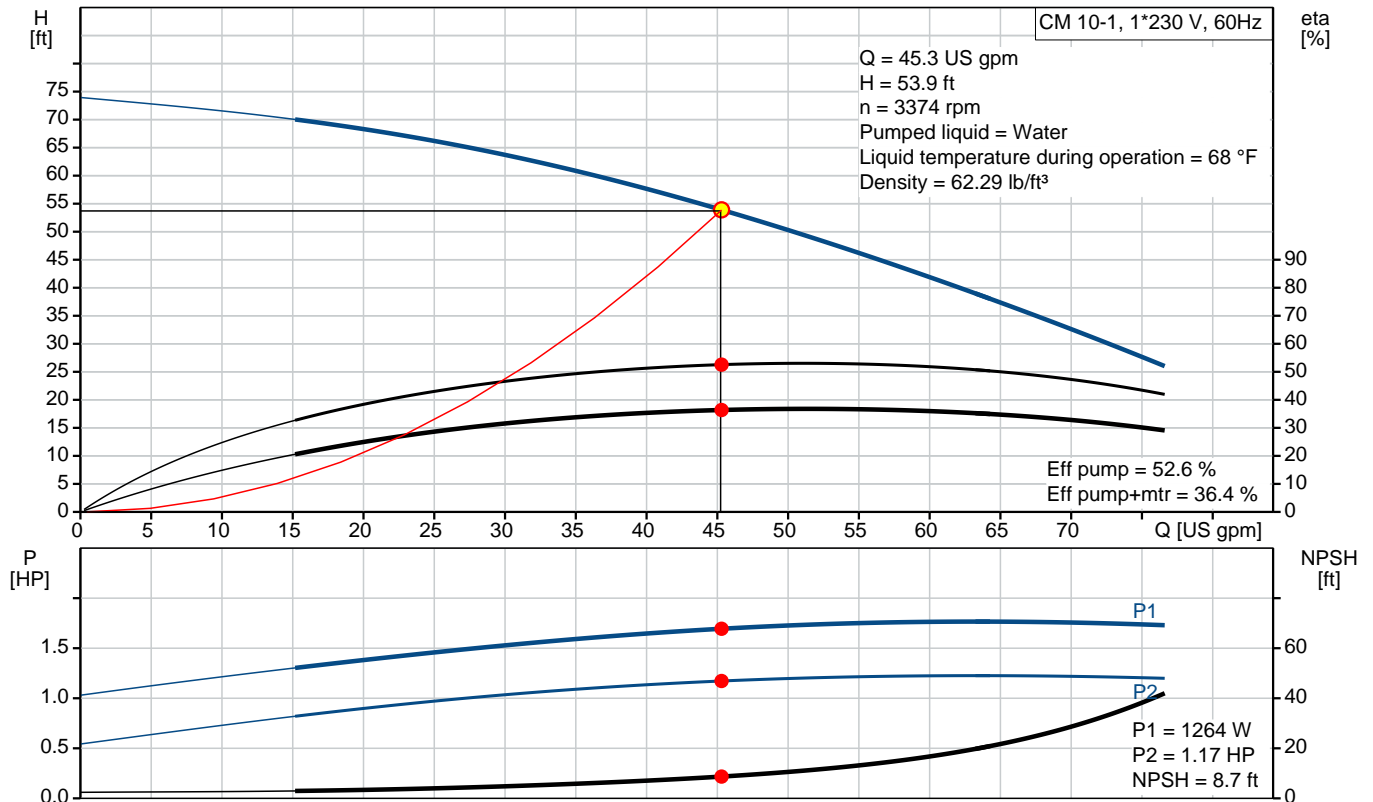
CM 10-1 A-S-G-E-AQQE B-A-A-N

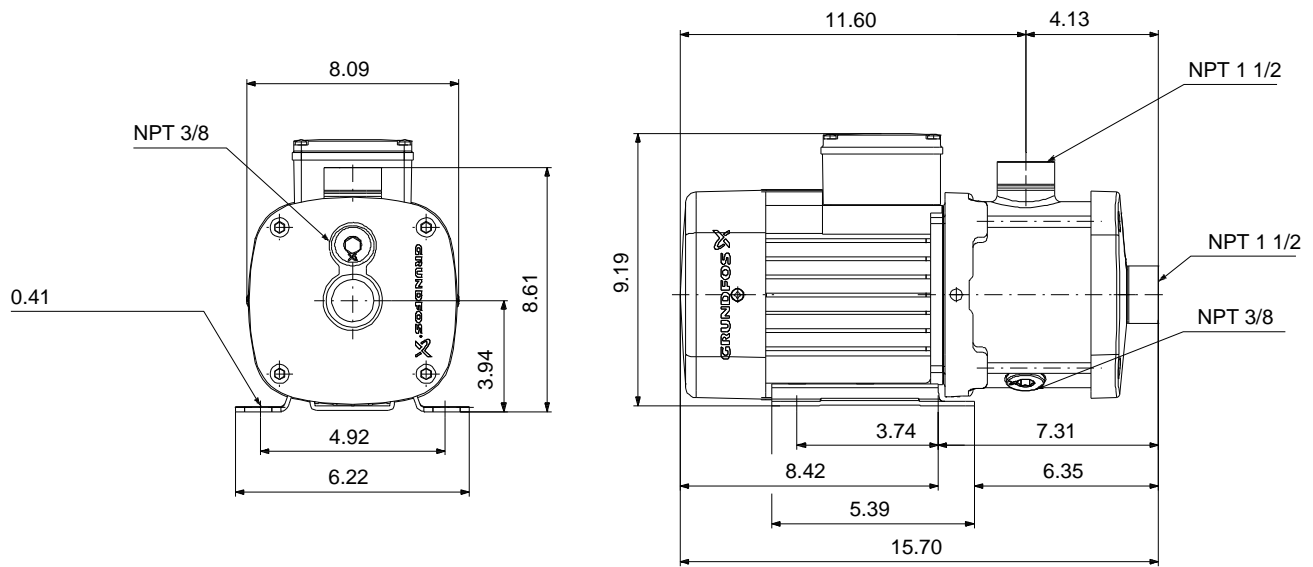


CM are reliable, quiet and compact horizontal end-suction pumps. The modular pump design makes it easy to make customised solutions. The CM pumps are available in cast iron and stainless steel

Product photo could vary from the actual product

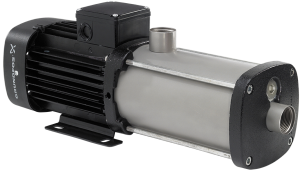
Conditions of Service		Pump Data		Motor Data
Flow:	45.3 US gpm	Max pressure at stated temperature:	232 psi / 194 °F	Main frequency: 60 Hz
Head:	53.9 ft	Liquid temperature range:	-4 .. 248 °F	Enclosure class: IP55
Efficiency:	36.4 %	Maximum ambient temperature:	131 °F	
Liquid:	Water	Shaft seal:	AQQE	
Temperature:	68 °F	Product number:	On request	
NPSH required:	8.7 ft			
Viscosity:	_____			
Specific Gravity:	1.000			





Materials:

- Pump housing: Stainless steel
AISI 316
- Impeller: Stainless steel
AISI 316
EN 1.4401
- Material code: G
- Code for rubber: E

Count	Description
1	<p data-bbox="224 338 602 367">CM 10-1 A-S-G-E-AQQE B-A-A-N</p> <div data-bbox="256 436 553 604">  </div> <p data-bbox="613 625 1062 655" style="text-align: center;">Product photo could vary from the actual product</p> <p data-bbox="224 659 500 688">Product No.: On request</p> <p data-bbox="224 718 1463 793">Compact, reliable, horizontal, multistage, end-suction centrifugal pump with axial suction port and radial discharge port. Pump materials in contact with the liquid are in high-grade stainless steel. The mechanical shaft seal is a special designed, unbalanced O-ring seal. Pipework connection is via internal NPT pipe threads.</p> <p data-bbox="224 802 1105 831">The pump is fitted with a 1-phase, foot-mounted, fan-cooled asynchronous motor.</p> <p data-bbox="224 861 334 890">Controls:</p> <p data-bbox="224 890 656 919">Frequency converter: NONE</p> <p data-bbox="224 949 310 978">Liquid:</p> <p data-bbox="224 978 656 1008">Pumped liquid: Water</p> <p data-bbox="224 1008 708 1037">Liquid temperature range: -4 .. 248 °F</p> <p data-bbox="224 1037 646 1066">Selected liquid temperature: 68 °F</p> <p data-bbox="224 1066 703 1096">Density: 62.29 lb/ft³</p> <p data-bbox="224 1125 347 1155">Technical:</p> <p data-bbox="224 1155 837 1184">Pump speed on which pump data are based: 3480 rpm</p> <p data-bbox="224 1184 729 1213">Actual calculated flow: 45.3 US gpm</p> <p data-bbox="224 1213 729 1243">Rated flow: 52.8 US gpm</p> <p data-bbox="224 1243 656 1272">Resulting head of the pump: 53.9 ft</p> <p data-bbox="224 1272 669 1302">Rated head: 52.89 ft</p> <p data-bbox="224 1302 656 1331">Code for shaft seal: AQQE</p> <p data-bbox="224 1331 781 1360">Curve tolerance: ISO9906:2012 3B</p> <p data-bbox="224 1390 341 1419">Materials:</p> <p data-bbox="224 1419 743 1507">Pump housing: Stainless steel EN 1.4401 AISI 316</p> <p data-bbox="224 1516 743 1604">Impeller: Stainless steel EN 1.4401 AISI 316</p> <p data-bbox="224 1633 363 1663">Installation:</p> <p data-bbox="224 1663 708 1692">Range of ambient temperature: -4 .. 131 °F</p> <p data-bbox="224 1692 699 1722">Maximum operating pressure: 232.06 psi</p> <p data-bbox="224 1722 821 1780">Max pressure at stated temperature: 232 psi / 194 °F 145 psi / 250 °F</p> <p data-bbox="224 1780 669 1810">Type of connection: NPT(F)</p> <p data-bbox="224 1810 693 1839">Size of suction port: 1 1/2 inch</p> <p data-bbox="224 1839 693 1869">Size of outlet port: 1 1/2 inch</p> <p data-bbox="224 1869 613 1898">Outlet position: 12</p> <p data-bbox="224 1927 399 1957">Electrical data:</p>



Company name: PFC Equipment

Created by:

Phone:

Date: 4/6/2020

Count	Description
	Motor standard: NEMA
	Frame size: 80B
	Rated power - P2: 1.48 HP
	Main frequency: 60 Hz
	Suitable for 50/60 Hz: N
	Phase: 1
	Rated voltage: 115/230 V
	Service factor: 1.00
	Rated current: 14.6/7.3 A
	Starting current: 320-320 %
	Rated speed: 3320 rpm
	Enclosure class (IEC 34-5): IP55
	Insulation class (IEC 85): F
	Built-in motor protection: NONE
	Others:
	Terminal box position: 12
	Minimum efficiency index, MEI $\eta_{\%}$: 0.52
	Net weight: 41.4 lb
	Gross weight: 46.9 lb
	Approvals: CE,CULUS,WRAS,ACS,TR,EAC,CURUS
	Country of origin: US
	Custom tariff no.: 8413.70.2040



Company name: PFC Equipment

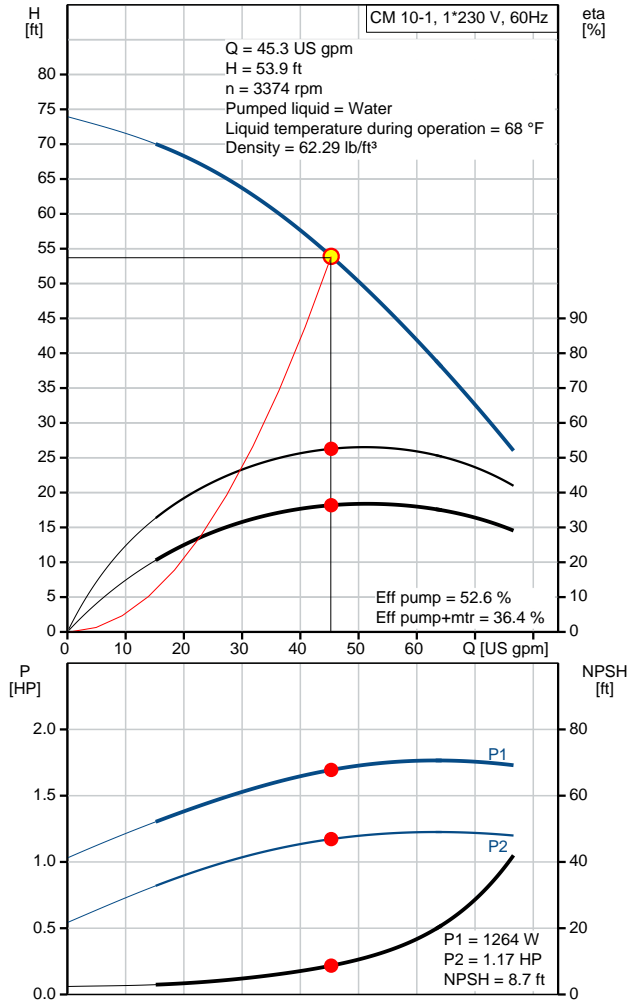
Created by:

Phone:

Date:

4/6/2020

Description	Value
General information:	
Product name:	CM 10-1 A-S-G-E-AQQE B-A-A-N
Product No.:	On request
EAN:	On request
	On request
Technical:	
Pump speed on which pump data are based:	3480 rpm
Actual calculated flow:	45.3 US gpm
Rated flow:	52.8 US gpm
Resulting head of the pump:	53.9 ft
Rated head:	52.89 ft
Impellers:	1
Code for shaft seal:	AQQE
Curve tolerance:	ISO9906:2012 3B
Pump version:	A
Model:	A
Materials:	
Pump housing:	Stainless steel EN 1.4401
	AISI 316
Impeller:	Stainless steel EN 1.4401
	AISI 316
Material code:	G
Code for rubber:	E
Installation:	
Range of ambient temperature:	-4 .. 131 °F
Maximum operating pressure:	232.06 psi
Max pressure at stated temperature:	232 psi / 194 °F
	145 psi / 250 °F
Type of connection:	NPT(F)
Size of suction port:	1 1/2 inch
Size of outlet port:	1 1/2 inch
Outlet position:	12
Connect code:	S
Liquid:	
Pumped liquid:	Water
Liquid temperature range:	-4 .. 248 °F
Selected liquid temperature:	68 °F
Density:	62.29 lb/ft³
Electrical data:	
Motor standard:	NEMA
Frame size:	80B
Rated power - P2:	1.48 HP
Main frequency:	60 Hz
Suitable for 50/60 Hz:	N
Phase:	1
Rated voltage:	115/230 V
Service factor:	1.00
Rated current:	14.6/7.3 A
Starting current:	320-320 %





Company name: PFC Equipment

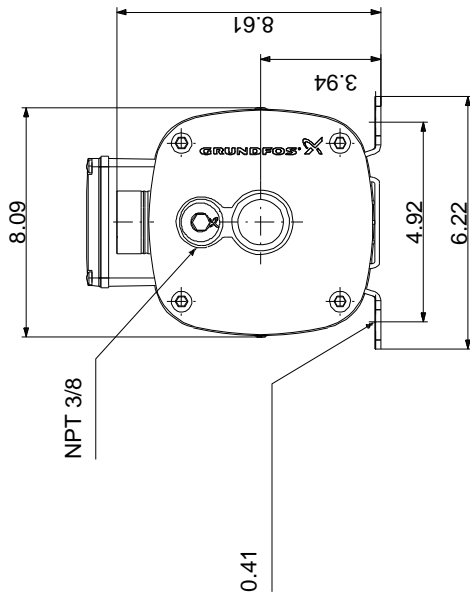
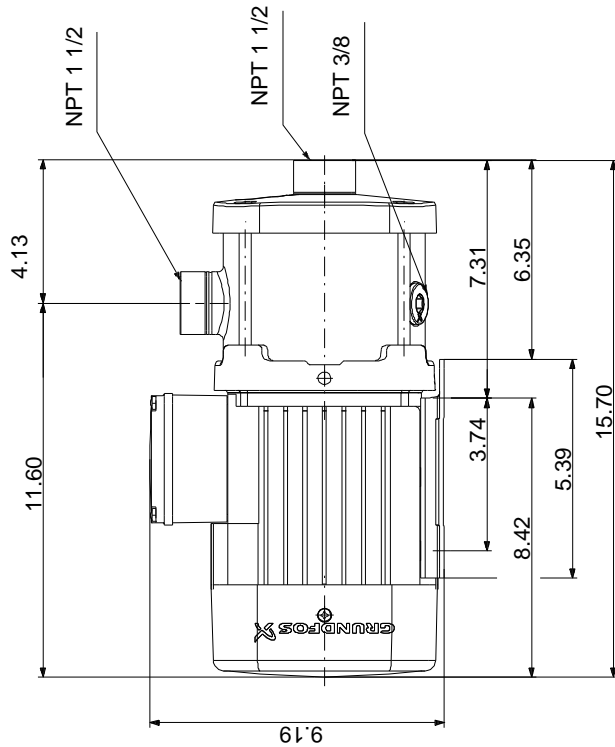
Created by:

Phone:

Date: 4/6/2020

Description	Value
Rated speed:	3320 rpm
Enclosure class (IEC 34-5):	IP55
Insulation class (IEC 85):	F
Built-in motor protection:	NONE
Controls:	
Frequency converter:	NONE
Others:	
Terminal box position:	12
Minimum efficiency index, MEI â%¥:	0.52
Net weight:	41.4 lb
Gross weight:	46.9 lb
Approvals:	CE,CULUS,WRAS,ACS,TR,EA C,CURUS
Country of origin:	US
Custom tariff no.:	8413.70.2040

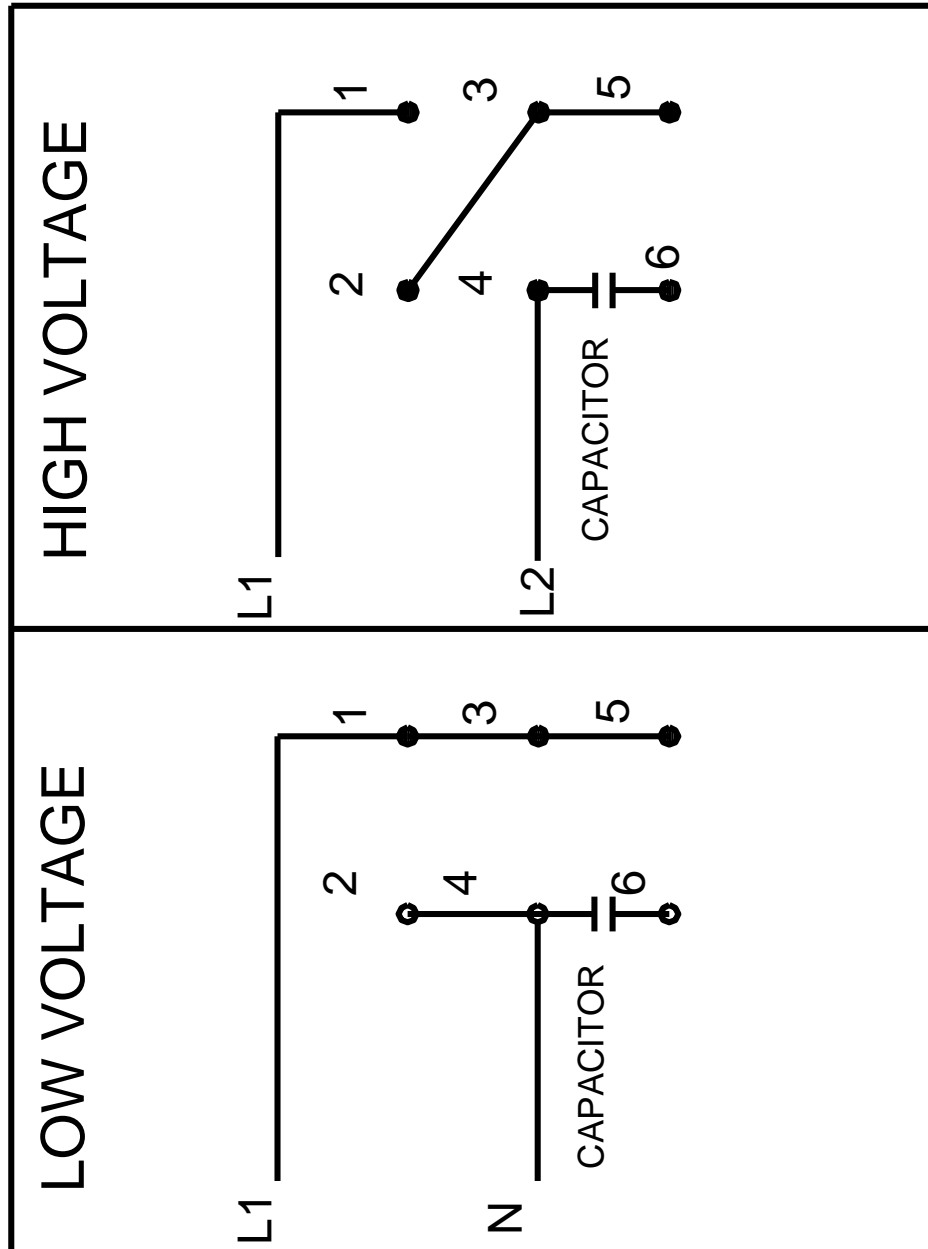
On request CM 10-1 A-S-G-E-AQQE B-A-A-N 60 Hz



Note! All units are in [in] unless otherwise stated.
 Disclaimer: This simplified dimensional drawing does not show all details.

On request CM 10-1 A-S-G-E-AQQE B-A-A-N 60 Hz

SUITABLE FOR FIELD CONNECTION



All units are [in] unless otherwise presented.