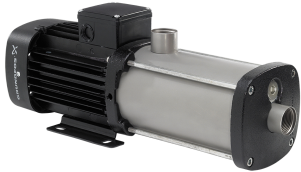


PROJECT: _____	UNIT TAG: _____	QUANTITY: _____
REPRESENTATIVE: _____	TYPE OF SERVICE: _____	DATE: _____
ENGINEER: _____	SUBMITTED BY: _____	DATE: _____
CONTRACTOR: _____	APPROVED BY: _____	DATE: _____
	ORDER NO.: _____	DATE: _____

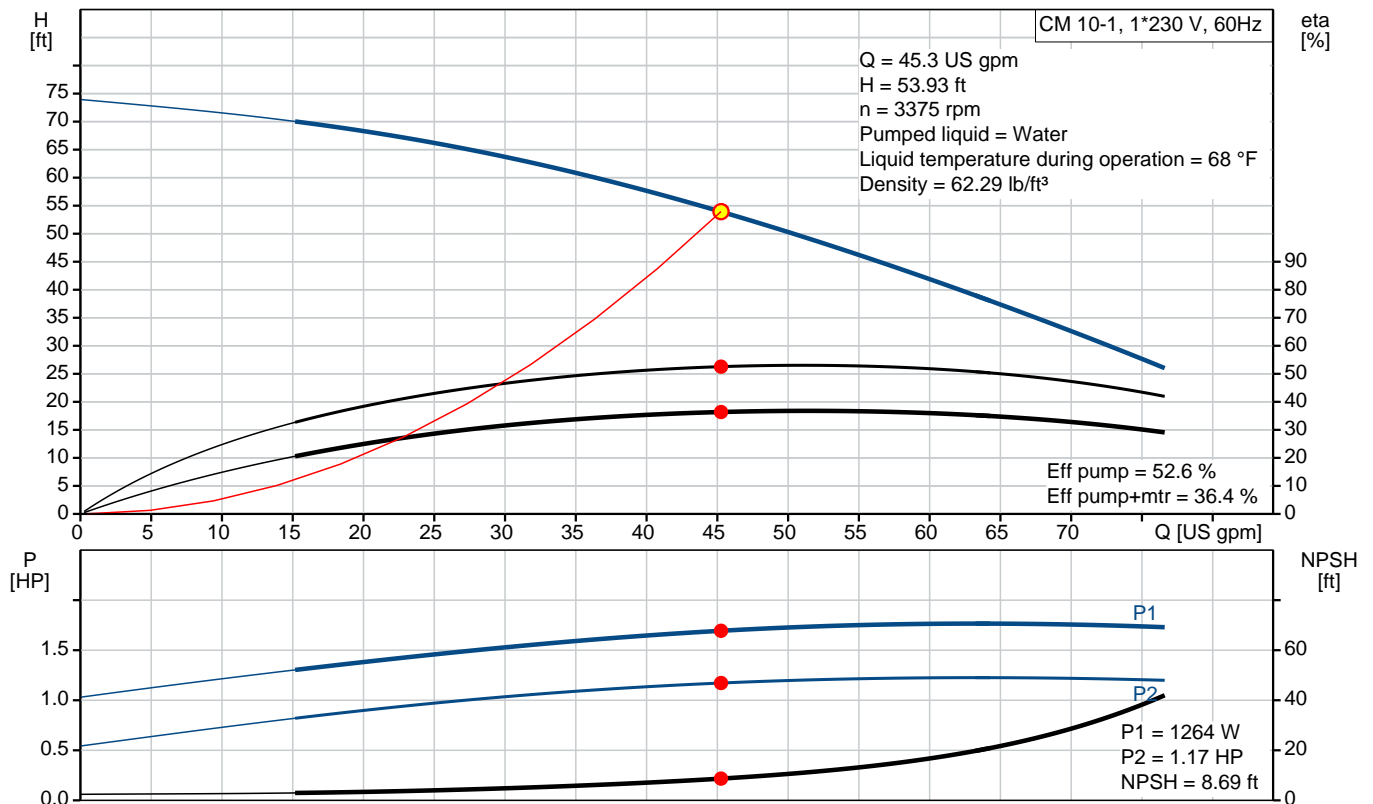
CM 10-1 A-S-G-V-AQQV B-A-A-N

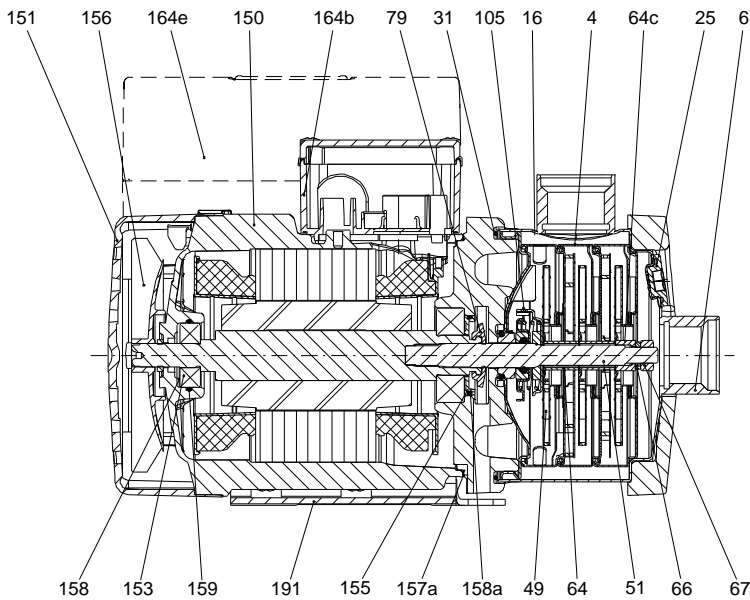
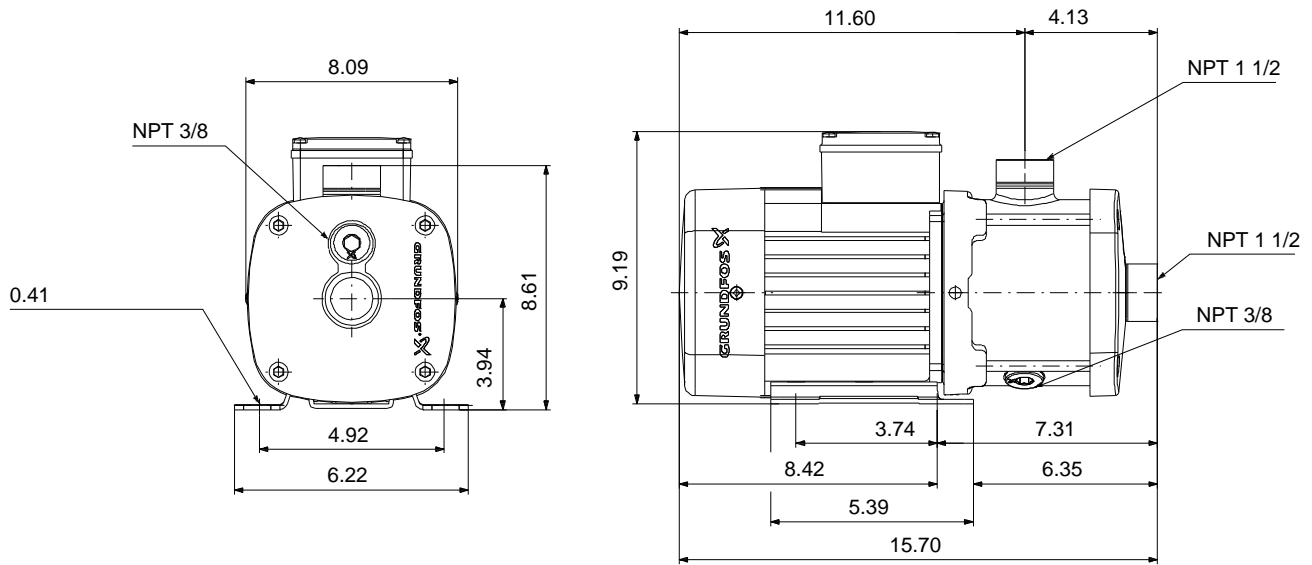


CM are reliable, quiet and compact horizontal end-suction pumps. The modular pump design makes it easy to make customised solutions. The CM pumps are available in cast iron and stainless steel

Product photo could vary from the actual product

Conditions of Service		Pump Data		Motor Data	
Flow:	45.3 US gpm	Max pressure at stated temperature:	232 psi / 194 °F	Main frequency:	60 Hz
Head:	53.93 ft	Liquid temperature range:	-4 .. 248 °F	Enclosure class:	IP55
Efficiency:	36.4 %	Maximum ambient temperature:	131 °F		
Liquid:	Water	Shaft seal:	AQQV		
Temperature:	68 °F	Product number:	96943191		
NPSH required:	8.69 ft				
Viscosity:	_____				
Specific Gravity:	1.000				





Materials:

Pump housing: Stainless steel
AISI 316

Impeller: Stainless steel
AISI 316
EN 1.4401

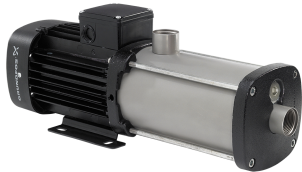
Material code: G

Code for rubber: V

165x100

Count	Description
-------	-------------

1	CM 10-1 A-S-G-V-AQQV B-A-A-N
---	------------------------------



Product photo could vary from the actual product

Product No.: [96943191](#)

Compact, reliable, horizontal, multistage, end-suction centrifugal pump with axial suction port and radial discharge port. Pump materials in contact with the liquid are in high-grade stainless steel. The mechanical shaft seal is a special designed, unbalanced O-ring seal. Pipework connection is via internal NPT pipe threads.

The pump is fitted with a 1-phase, foot-mounted, fan-cooled asynchronous motor.

Controls:

Frequency converter: NONE

Liquid:

Pumped liquid: Water
 Liquid temperature range: -4 .. 248 °F
 Selected liquid temperature: 68 °F
 Density: 62.29 lb/ft³

Technical:

Pump speed on which pump data are based: 3480 rpm
 Actual calculated flow: 45.3 US gpm
 Rated flow: 52.8 US gpm
 Resulting head of the pump: 53.93 ft
 Rated head: 52.89 ft
 Code for shaft seal: AQQV
 Curve tolerance: ISO9906:2012 3B

Materials:

Pump housing: Stainless steel
 EN 1.4401
 AISI 316
 Impeller: Stainless steel
 EN 1.4401
 AISI 316

Installation:

Range of ambient temperature: -4 .. 131 °F
 Maximum operating pressure: 232.06 psi
 Max pressure at stated temperature: 232 psi / 194 °F
 145 psi / 250 °F
 Type of connection: NPT(F)
 Size of suction port: 1 1/2 inch
 Size of outlet port: 1 1/2 inch
 Outlet position: 12

Electrical data:



Company name: PFC Equipment

Created by:

Phone:

Date: 4/6/2020

Count	Description
	Motor standard: NEMA
	Frame size: 80B
	Rated power - P2: 1.48 HP
	Main frequency: 60 Hz
	Suitable for 50/60 Hz: N
	Phase: 1
	Rated voltage: 115/230 V
	Service factor: 1.00
	Rated current: 14.6/7.3 A
	Starting current: 320-320 %
	Rated speed: 3320 rpm
	Enclosure class (IEC 34-5): IP55
	Insulation class (IEC 85): F
	Built-in motor protection: NONE
	Others:
	Terminal box position: 12
	Minimum efficiency index, MEI $\eta_{\%}$: 0.52
	Net weight: 41.4 lb
	Gross weight: 46.9 lb
	Approvals: CE,CULUS,WRAS,ACS,TR,EAC,CURUS
	Country of origin: US
	Custom tariff no.: 8413.70.2040



Company name: PFC Equipment

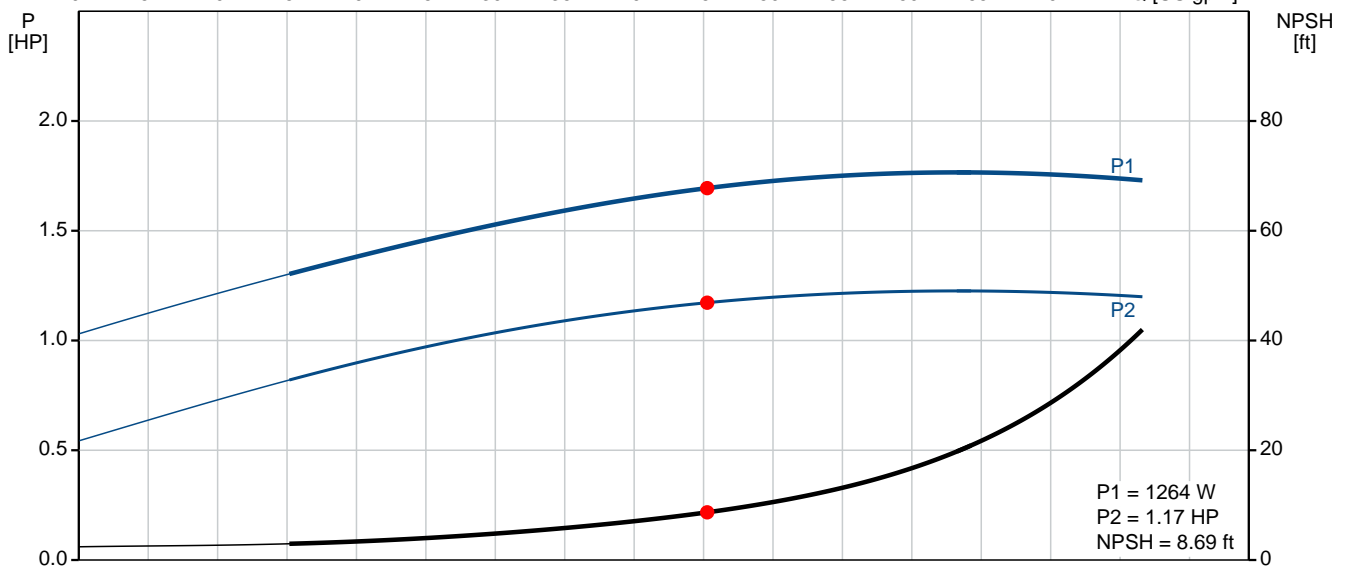
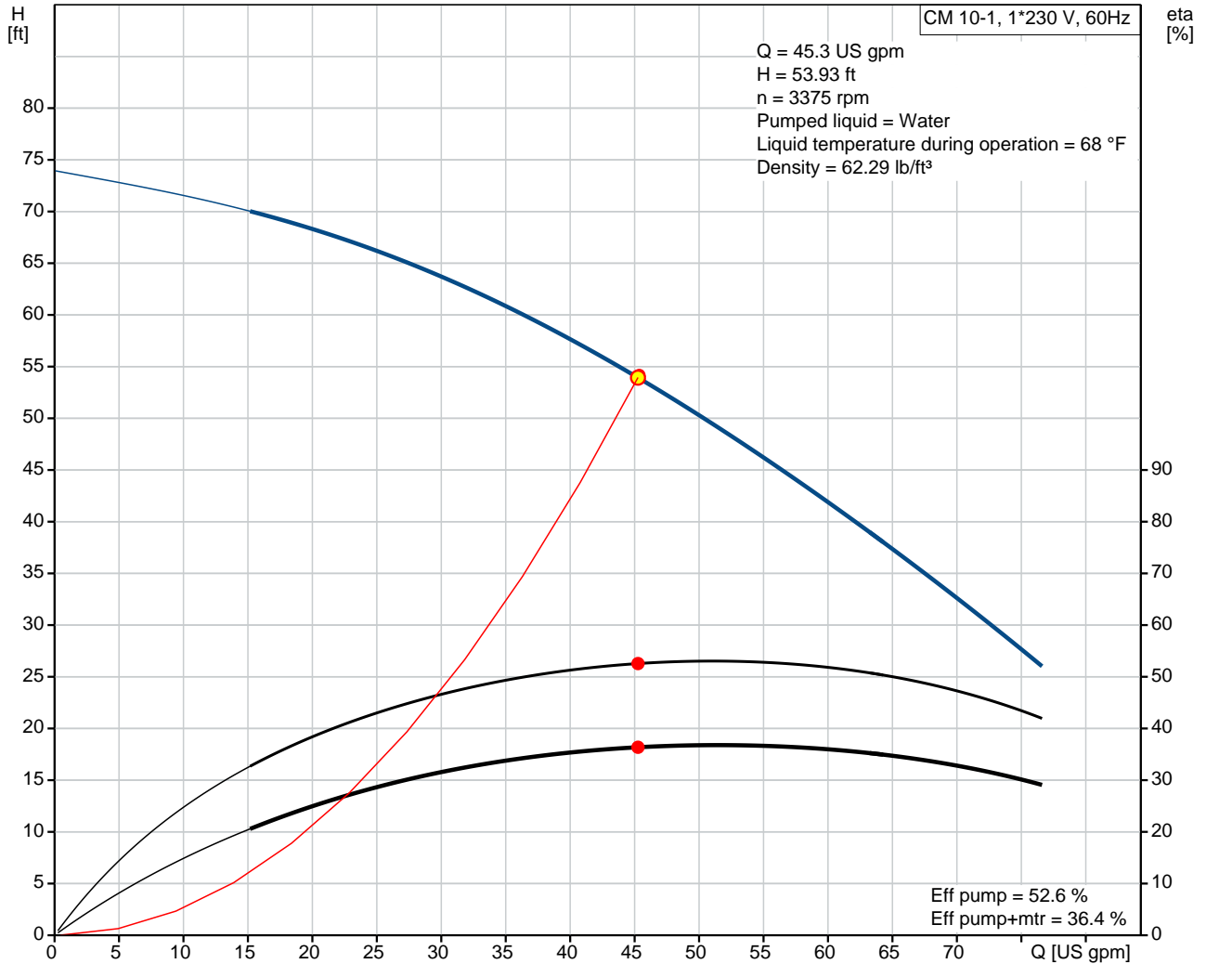
Created by:

Phone:

Date:

4/6/2020

96943191 CM 10-1 A-S-G-V-AQQV B-A-A-N 60 Hz





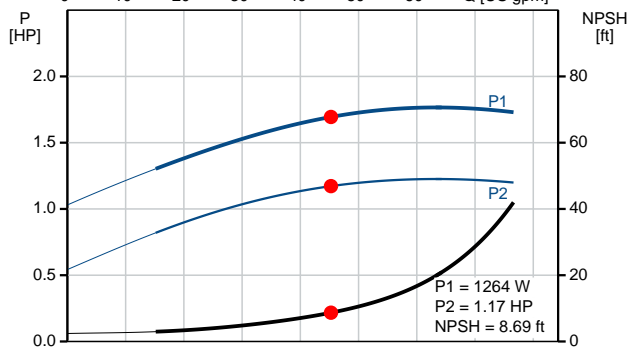
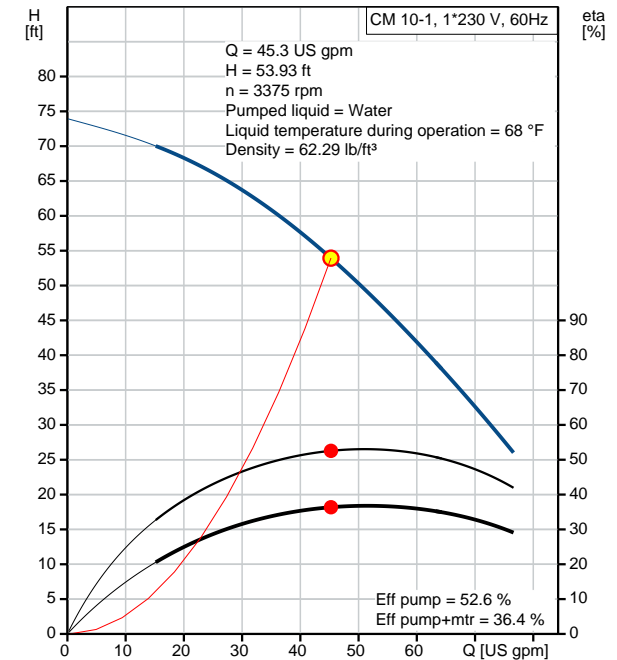
Company name: PFC Equipment

Created by:

Phone:

Date: 4/6/2020

Description	Value
General information:	
Product name:	CM 10-1 A-S-G-V-AQQV B-A-A-N
Product No.:	96943191
EAN:	5700314285036 5700314285036
Technical:	
Pump speed on which pump data are based:	3480 rpm
Actual calculated flow:	45.3 US gpm
Rated flow:	52.8 US gpm
Resulting head of the pump:	53.93 ft
Rated head:	52.89 ft
Impellers:	1
Code for shaft seal:	AQQV
Curve tolerance:	ISO9906:2012 3B
Pump version:	A
Model:	A
Materials:	
Pump housing:	Stainless steel EN 1.4401
	AISI 316
Impeller:	Stainless steel EN 1.4401
	AISI 316
Material code:	G
Code for rubber:	V
Installation:	
Range of ambient temperature:	-4 .. 131 °F
Maximum operating pressure:	232.06 psi
Max pressure at stated temperature:	232 psi / 194 °F
	145 psi / 250 °F
Type of connection:	NPT(F)
Size of suction port:	1 1/2 inch
Size of outlet port:	1 1/2 inch
Outlet position:	12
Connect code:	S
Liquid:	
Pumped liquid:	Water
Liquid temperature range:	-4 .. 248 °F
Selected liquid temperature:	68 °F
Density:	62.29 lb/ft³
Electrical data:	
Motor standard:	NEMA
Frame size:	80B
Rated power - P2:	1.48 HP
Main frequency:	60 Hz
Suitable for 50/60 Hz:	N
Phase:	1
Rated voltage:	115/230 V
Service factor:	1.00
Rated current:	14.6/7.3 A
Starting current:	320-320 %





Company name: PFC Equipment

Created by:

Phone:

Date: 4/6/2020

Description	Value
Rated speed:	3320 rpm
Enclosure class (IEC 34-5):	IP55
Insulation class (IEC 85):	F
Built-in motor protection:	NONE
Controls:	
Frequency converter:	NONE
Others:	
Terminal box position:	12
Minimum efficiency index, MEI â%¥:	0.52
Net weight:	41.4 lb
Gross weight:	46.9 lb
Approvals:	CE,CULUS,WRAS,ACS,TR,EA C,CURUS
Country of origin:	US
Custom tariff no.:	8413.70.2040



Company name: PFC Equipment

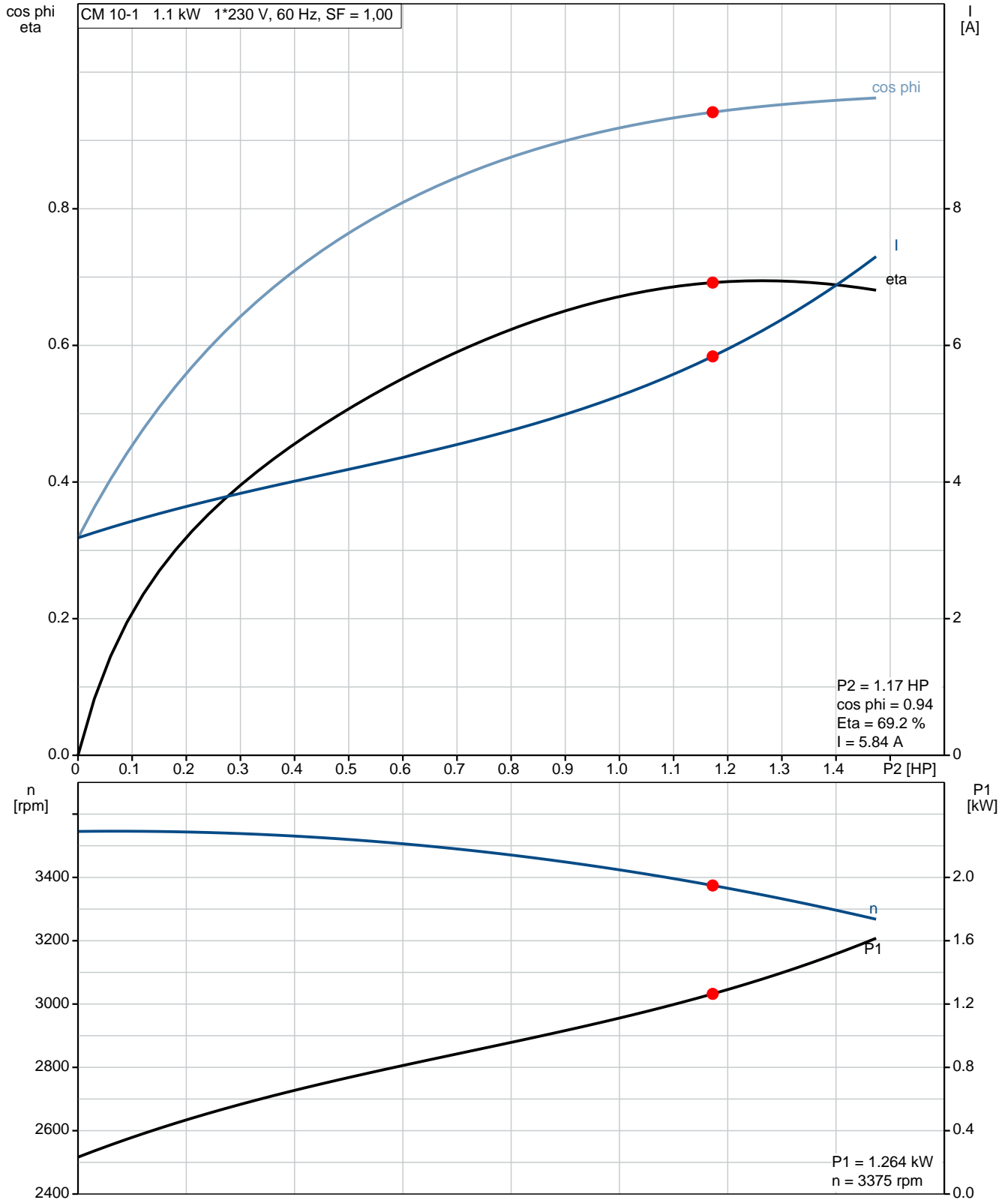
Created by:

Phone:

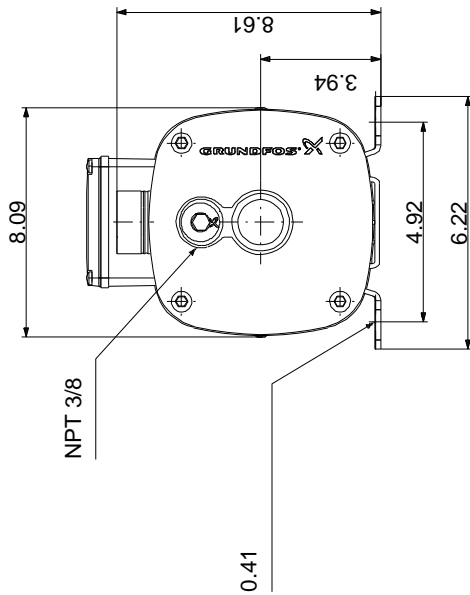
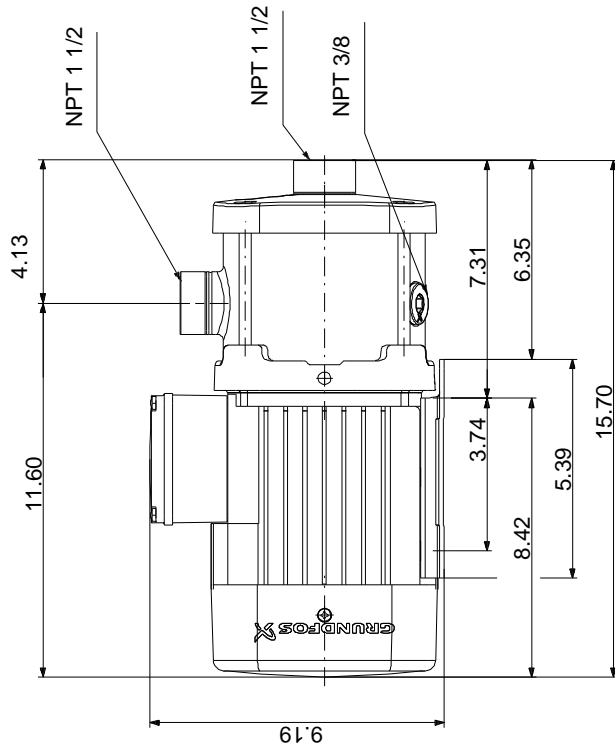
Date:

4/6/2020

96943191 CM 10-1 A-S-G-V-AQQV B-A-A-N 60 Hz



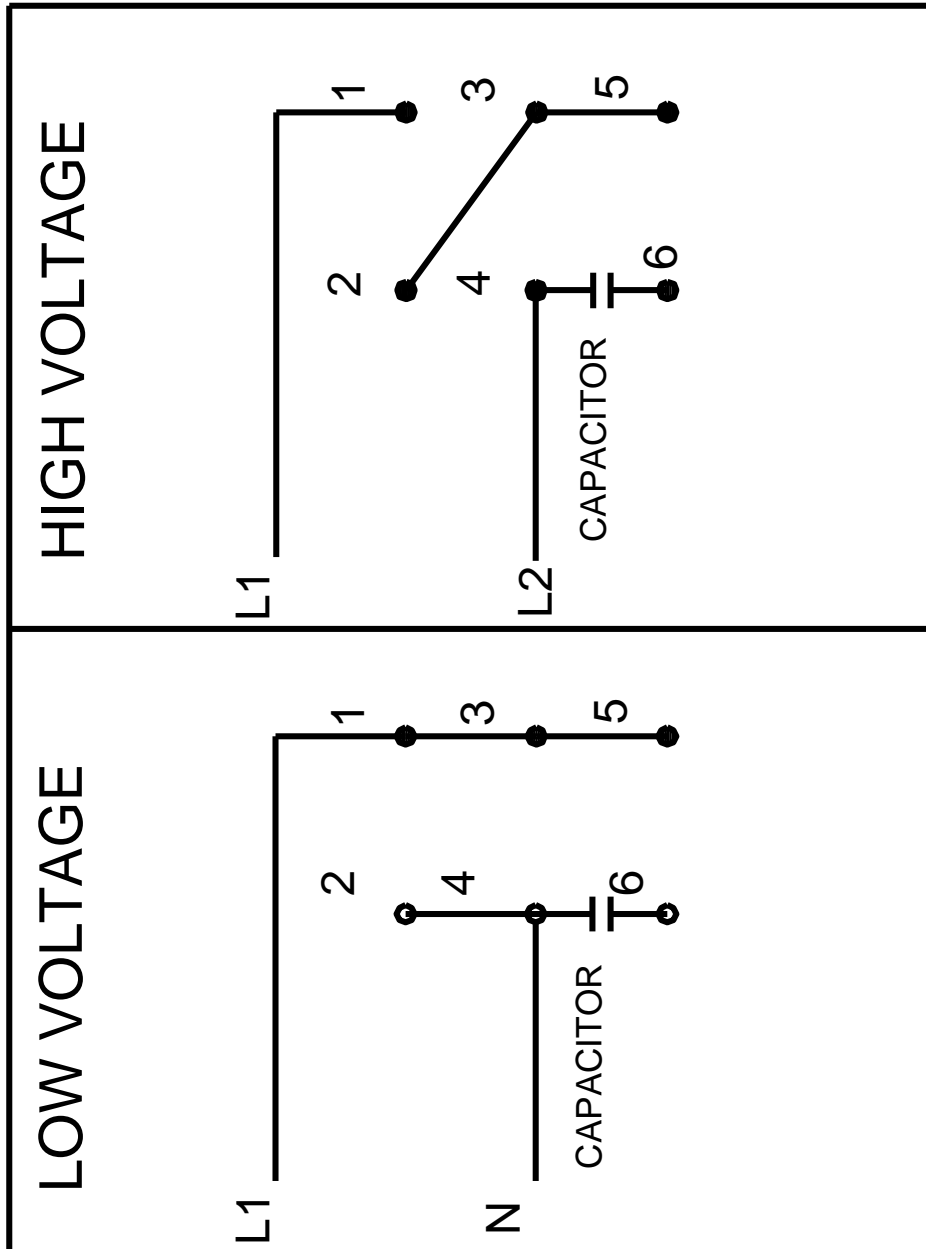
96943191 CM 10-1 A-S-G-V-AQQV B-A-A-N 60 Hz



Note! All units are in [in] unless otherwise stated.
 Disclaimer: This simplified dimensional drawing does not show all details.

96943191 CM 10-1 A-S-G-V-AQQV B-A-A-N 60 Hz

SUITABLE FOR FIELD CONNECTION



All units are [in] unless otherwise presented.