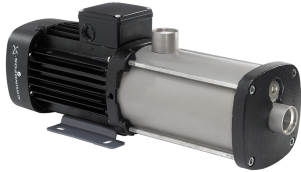


PROJECT: _____	UNIT TAG: _____	QUANTITY: _____
REPRESENTATIVE: _____	TYPE OF SERVICE: _____	DATE: _____
ENGINEER: _____	SUBMITTED BY: _____	DATE: _____
CONTRACTOR: _____	APPROVED BY: _____	DATE: _____
	ORDER NO.: _____	DATE: _____

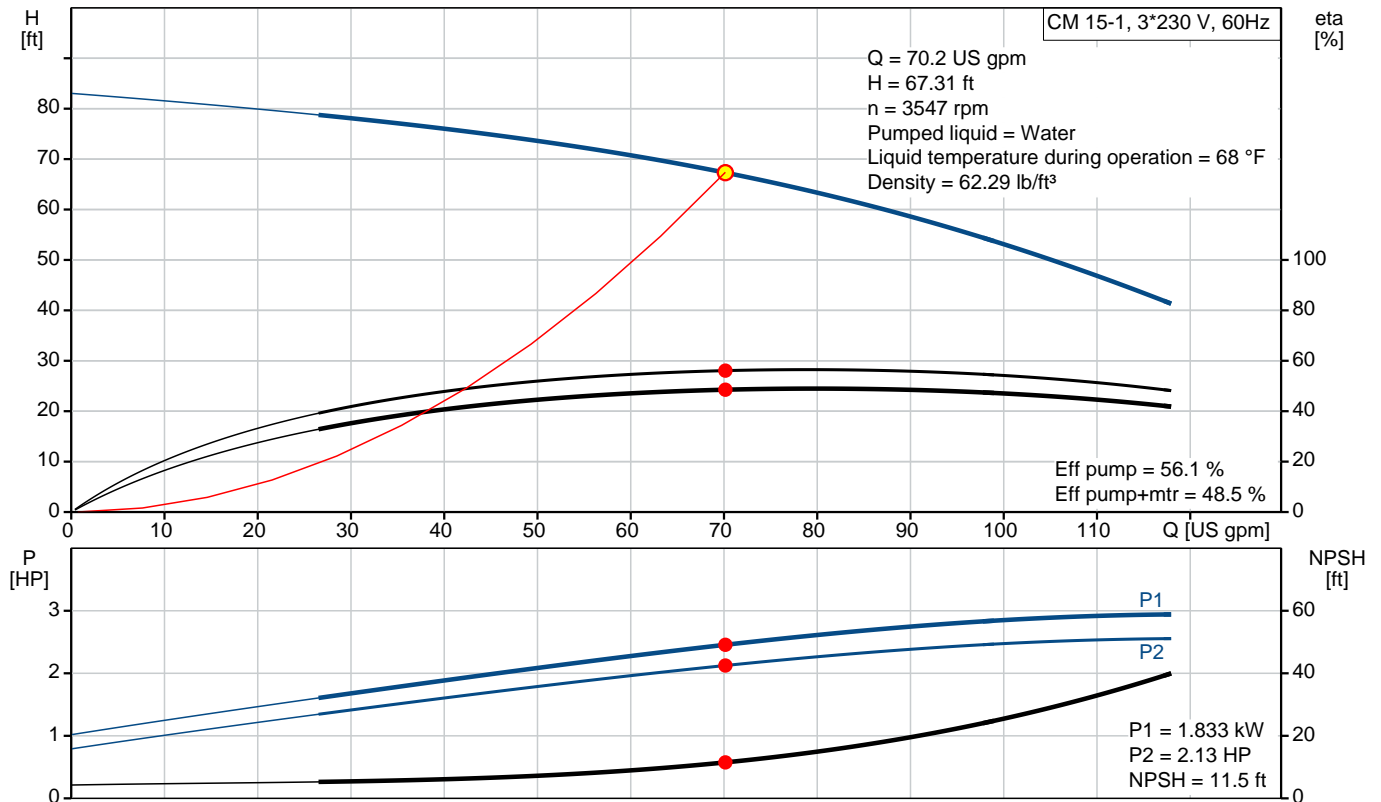
### CM 15-1 A-S-G-E-AQQE E-A-A-N

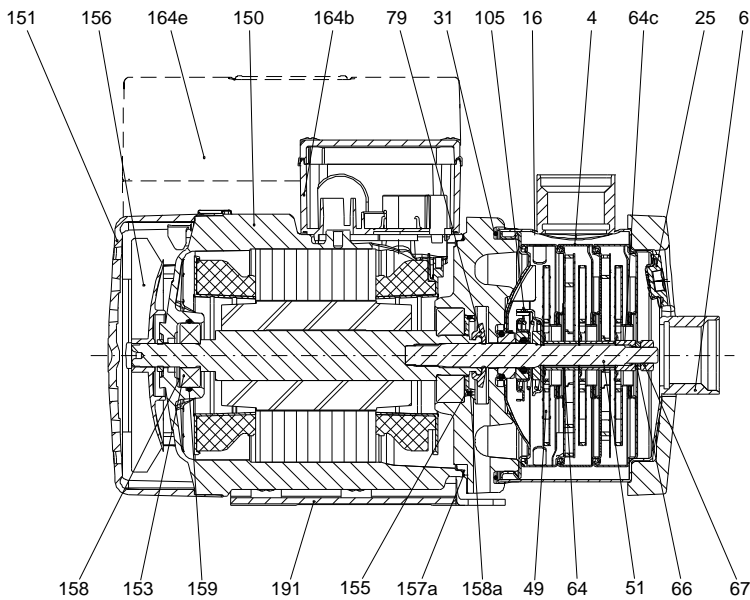
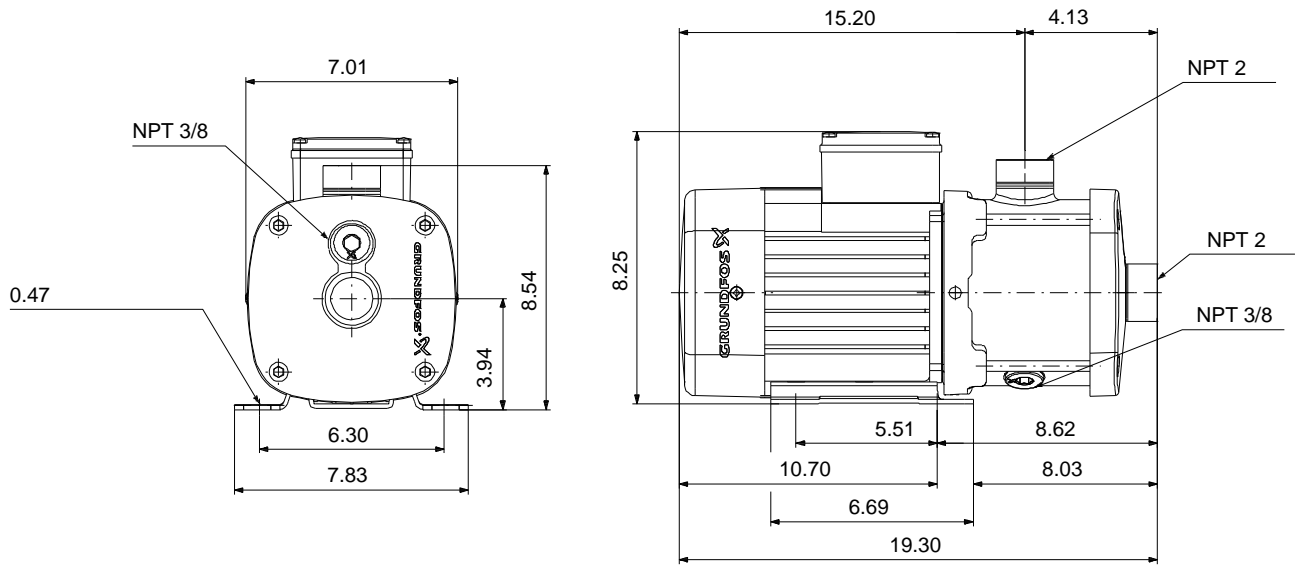


CM are reliable, quiet and compact horizontal end-suction pumps. The modular pump design makes it easy to make customised solutions. The CM pumps are available in cast iron and stainless steel

Product photo could vary from the actual product

Conditions of Service		Pump Data		Motor Data	
Flow:	70.2 US gpm	Max pressure at stated temperature:	232 psi / 194 °F	Main frequency:	60 Hz
Head:	67.31 ft	Liquid temperature range:	-4 .. 248 °F	Enclosure class:	IP55
Efficiency:	48.5 %	Maximum ambient temperature:	131 °F		
Liquid:	Water	Shaft seal:	AQQE		
Temperature:	68 °F	Product number:	96943299		
NPSH required:	11.5 ft				
Viscosity:	_____				
Specific Gravity:	1.000				





**Materials:**

Pump housing: Stainless steel  
AISI 316

Impeller: Stainless steel  
AISI 316  
EN 1.4401

Material code: G

Code for rubber: E

165x100

Count	Description
1	<p data-bbox="224 338 602 367"><b>CM 15-1 A-S-G-E-AQQE E-A-A-N</b></p> <div data-bbox="256 436 553 604">  </div> <p data-bbox="613 625 1062 655" style="text-align: center;">Product photo could vary from the actual product</p> <p data-bbox="224 659 488 688">Product No.: <a href="#">96943299</a></p> <p data-bbox="224 716 1463 793">Compact, reliable, horizontal, multistage, end-suction centrifugal pump with axial suction port and radial discharge port. Pump materials in contact with the liquid are in high-grade stainless steel. The mechanical shaft seal is a special designed, unbalanced O-ring seal. Pipework connection is via internal NPT pipe threads.</p> <p data-bbox="224 800 1105 829">The pump is fitted with a 3-phase, foot-mounted, fan-cooled asynchronous motor.</p> <p data-bbox="224 863 337 892"><b>Controls:</b></p> <p data-bbox="224 892 656 921">Frequency converter: NONE</p> <p data-bbox="224 951 310 980"><b>Liquid:</b></p> <p data-bbox="224 980 656 1010">Pumped liquid: Water</p> <p data-bbox="224 1010 708 1039">Liquid temperature range: -4 .. 248 °F</p> <p data-bbox="224 1039 646 1068">Selected liquid temperature: 68 °F</p> <p data-bbox="224 1068 703 1098">Density: 62.29 lb/ft<sup>3</sup></p> <p data-bbox="224 1127 347 1157"><b>Technical:</b></p> <p data-bbox="224 1157 837 1186">Pump speed on which pump data are based: 3480 rpm</p> <p data-bbox="224 1186 732 1215">Actual calculated flow: 70.2 US gpm</p> <p data-bbox="224 1215 732 1245">Rated flow: 89.8 US gpm</p> <p data-bbox="224 1245 672 1274">Resulting head of the pump: 67.31 ft</p> <p data-bbox="224 1274 672 1304">Rated head: 56.04 ft</p> <p data-bbox="224 1304 656 1333">Code for shaft seal: AQQE</p> <p data-bbox="224 1333 781 1362">Curve tolerance: ISO9906:2012 3B</p> <p data-bbox="224 1392 342 1421"><b>Materials:</b></p> <p data-bbox="224 1421 743 1509">Pump housing: Stainless steel EN 1.4401 AISI 316</p> <p data-bbox="224 1514 743 1602">Impeller: Stainless steel EN 1.4401 AISI 316</p> <p data-bbox="224 1631 363 1661"><b>Installation:</b></p> <p data-bbox="224 1661 708 1690">Range of ambient temperature: -4 .. 131 °F</p> <p data-bbox="224 1690 699 1719">Maximum operating pressure: 232.06 psi</p> <p data-bbox="224 1719 821 1778">Max pressure at stated temperature: 232 psi / 194 °F 145 psi / 250 °F</p> <p data-bbox="224 1778 667 1808">Type of connection: NPT(F)</p> <p data-bbox="224 1808 651 1837">Size of suction port: 2 inch</p> <p data-bbox="224 1837 651 1866">Size of outlet port: 2 inch</p> <p data-bbox="224 1866 613 1896">Outlet position: 12</p> <p data-bbox="224 1925 402 1955"><b>Electrical data:</b></p>



Company name: PFC Equipment

Created by:

Phone:

Date: 4/6/2020

Count	Description
	Motor standard: NEMA
	Frame size: 90B
	IE efficiency class: IE2 - IE3
	Rated power - P2: 3.35 HP
	Main frequency: 60 Hz
	Suitable for 50/60 Hz: N
	Phase: 3
	Rated voltage: 208-230YY/440-480Y V
	Service factor: 1.00
	Rated current: 8,95-8,5/4,3-4 A
	Rated speed: 3490-3520 rpm
	Enclosure class (IEC 34-5): IP55
	Insulation class (IEC 85): F
	Built-in motor protection: NONE
	<b>Others:</b>
	Terminal box position: 12
	Minimum efficiency index, MEI $\eta_{\%}$ : 0.59
	Net weight: 70.1 lb
	Gross weight: 75.6 lb
	Approvals: CE,CULUS,WRAS,ACS,TR,EAC
	Country of origin: US
	Custom tariff no.: 8413.70.2040



Company name: PFC Equipment

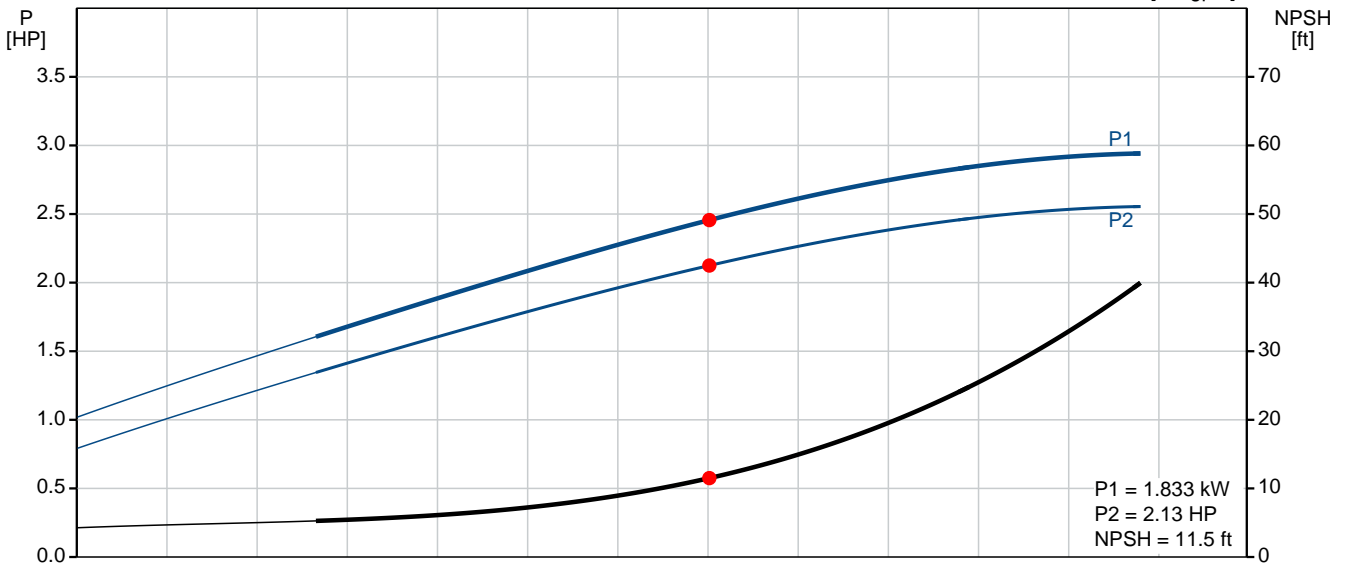
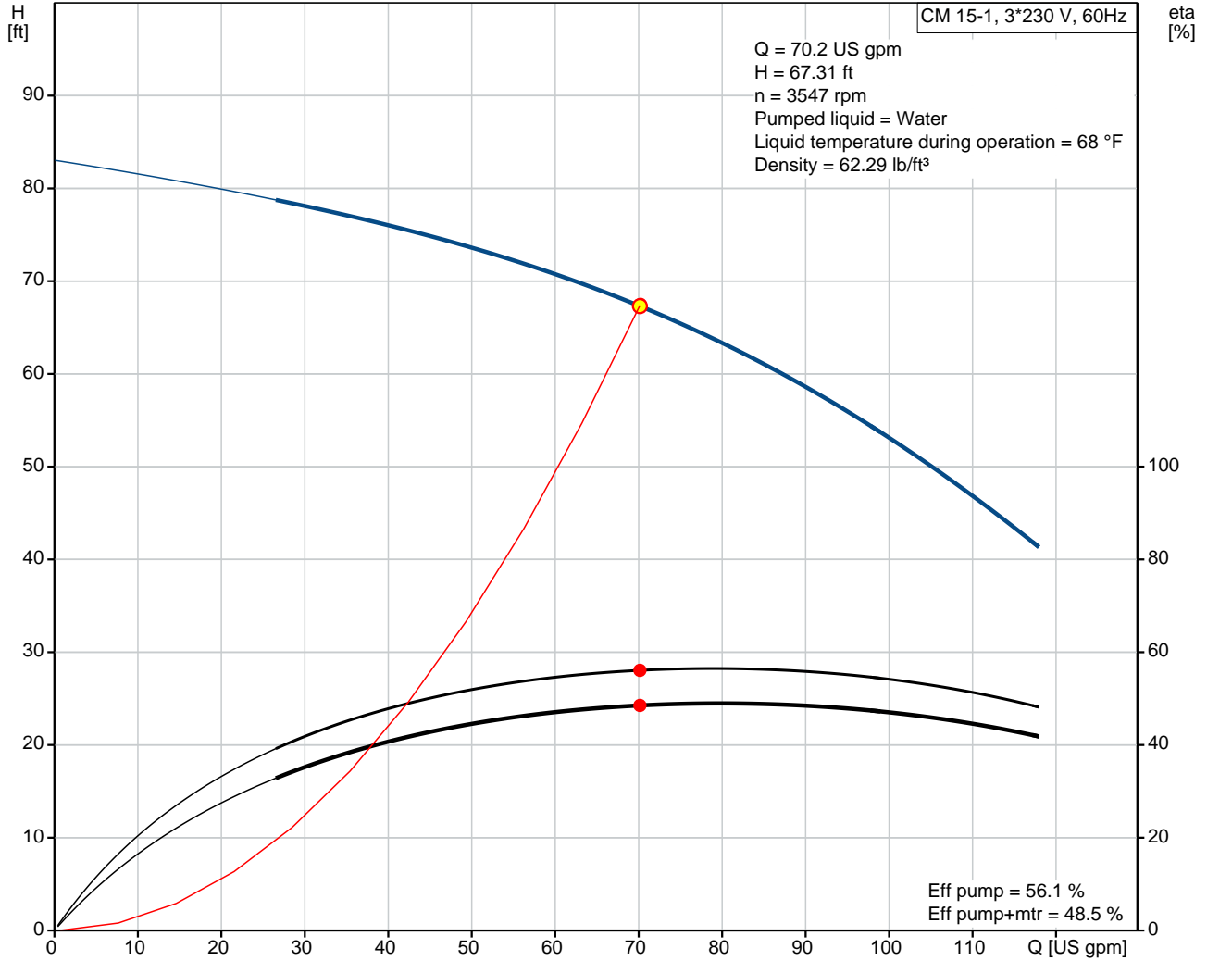
Created by:

Phone:

Date:

4/6/2020

### 96943299 CM 15-1 A-S-G-E-AQQE E-A-A-N 60 Hz





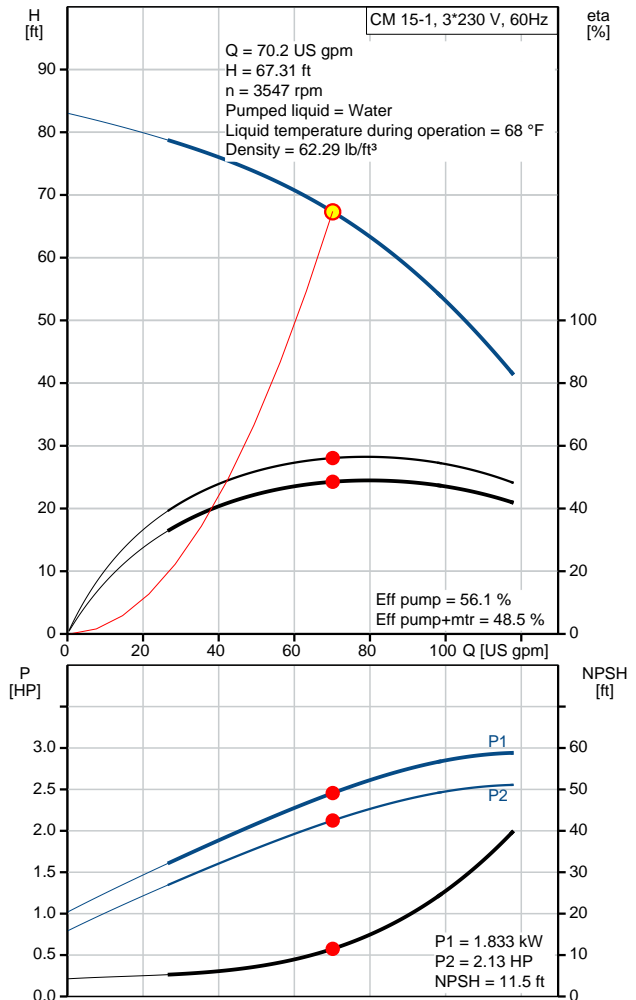
Company name: PFC Equipment

Created by:

Phone:

Date: 4/6/2020

Description	Value
<b>General information:</b>	
Product name:	CM 15-1 A-S-G-E-AQQE E-A-A-N
Product No.:	96943299
EAN:	5700314295189
	5700314295189
<b>Technical:</b>	
Pump speed on which pump data are based:	3480 rpm
Actual calculated flow:	70.2 US gpm
Rated flow:	89.8 US gpm
Resulting head of the pump:	67.31 ft
Rated head:	56.04 ft
Impellers:	1
Code for shaft seal:	AQQE
Curve tolerance:	ISO9906:2012 3B
Pump version:	A
Model:	A
<b>Materials:</b>	
Pump housing:	Stainless steel
	EN 1.4401
	AISI 316
Impeller:	Stainless steel
	EN 1.4401
	AISI 316
Material code:	G
Code for rubber:	E
<b>Installation:</b>	
Range of ambient temperature:	-4 .. 131 °F
Maximum operating pressure:	232.06 psi
Max pressure at stated temperature:	232 psi / 194 °F
	145 psi / 250 °F
Type of connection:	NPT(F)
Size of suction port:	2 inch
Size of outlet port:	2 inch
Outlet position:	12
Connect code:	S
<b>Liquid:</b>	
Pumped liquid:	Water
Liquid temperature range:	-4 .. 248 °F
Selected liquid temperature:	68 °F
Density:	62.29 lb/ft³
<b>Electrical data:</b>	
Motor standard:	NEMA
Frame size:	90B
IE efficiency class:	IE2 - IE3
Rated power - P2:	3.35 HP
Main frequency:	60 Hz
Suitable for 50/60 Hz:	N
Phase:	3
Rated voltage:	208-230YY/440-480Y V
Service factor:	1.00
Rated current:	8,95-8,5/4,3-4 A
Rated speed:	3490-3520 rpm





Company name: PFC Equipment

Created by:

Phone:

Date: 4/6/2020

Description	Value
Enclosure class (IEC 34-5):	IP55
Insulation class (IEC 85):	F
Built-in motor protection:	NONE
<b>Controls:</b>	
Frequency converter:	NONE
<b>Others:</b>	
Terminal box position:	12
Minimum efficiency index, MEI %:	0.59
Net weight:	70.1 lb
Gross weight:	75.6 lb
Approvals:	CE,CULUS,WRAS,ACS,TR, EAC
Country of origin:	US
Custom tariff no.:	8413.70.2040



Company name: PFC Equipment

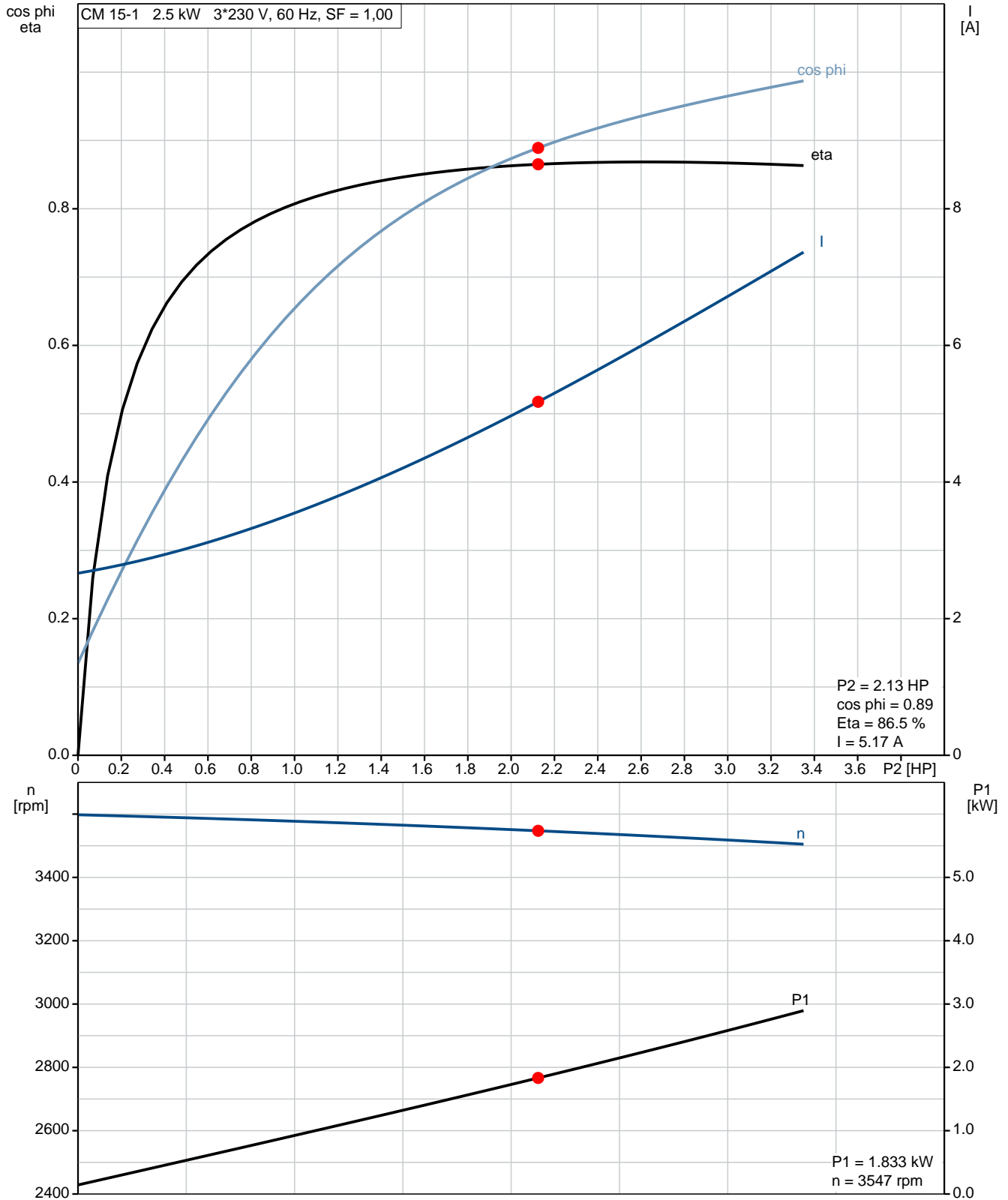
Created by:

Phone:

Date:

4/6/2020

# 96943299 CM 15-1 A-S-G-E-AQQE E-A-A-N 60 Hz







Company name: PFC Equipment

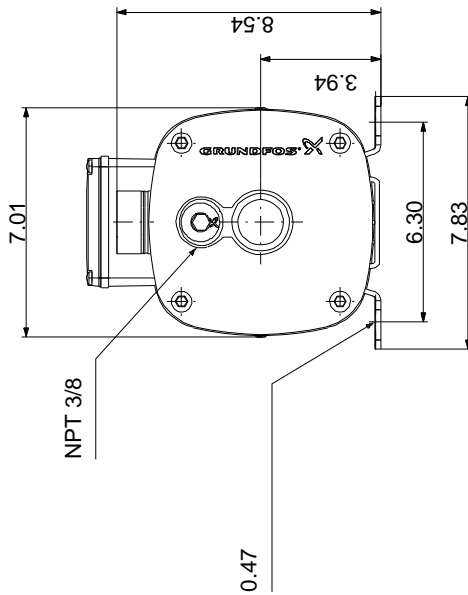
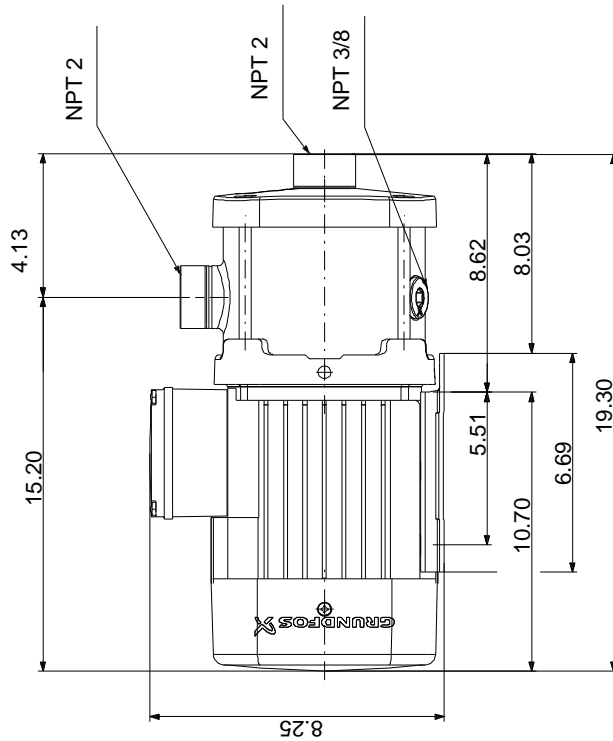
Created by:

Phone:

Date:

4/6/2020

# 96943299 CM 15-1 A-S-G-E-AQQE E-A-A-N 60 Hz



Note! All units are in [in] unless otherwise stated.  
Disclaimer: This simplified dimensional drawing does not show all details.

## 96943299 CM 15-1 A-S-G-E-AQQE E-A-A-N 60 Hz

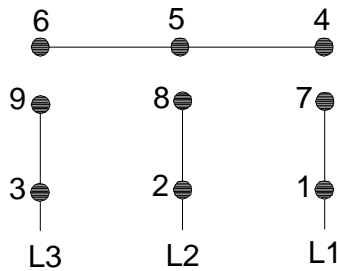


### WARNING

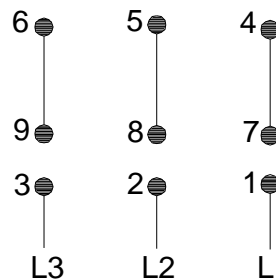
MOTOR MUST BE GROUNDED IN ACCORDANCE WITH THE NATIONAL ELECTRICAL CODE AND LOCAL CODES BY TRAINED PERSONNEL TO PREVENT SERIOUS ELECTRICAL SHOCKS.

TO SERVICE MOTOR, DISCONNECT POWER SOURCE FROM MOTOR AND ANY ACCESSORY DEVICES AND ALLOW MOTOR TO COME TO A COMPLETE STAND STILL.

**LOW VOLTAGE**  
60Hz. 208-230V



**HIGH VOLTAGE**  
60Hz: 460V  
50Hz: 400V



96553852

INTERCHANGE ANY TWO LINE WIRES TO REVERSE ROTATION THERMOSTAT LEADS (WHEN PROVIDED)

