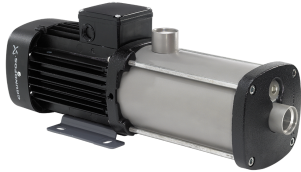


PROJECT: _____	UNIT TAG: _____	QUANTITY: _____
REPRESENTATIVE: _____	TYPE OF SERVICE: _____	DATE: _____
ENGINEER: _____	SUBMITTED BY: _____	DATE: _____
CONTRACTOR: _____	APPROVED BY: _____	DATE: _____
	ORDER NO.: _____	DATE: _____

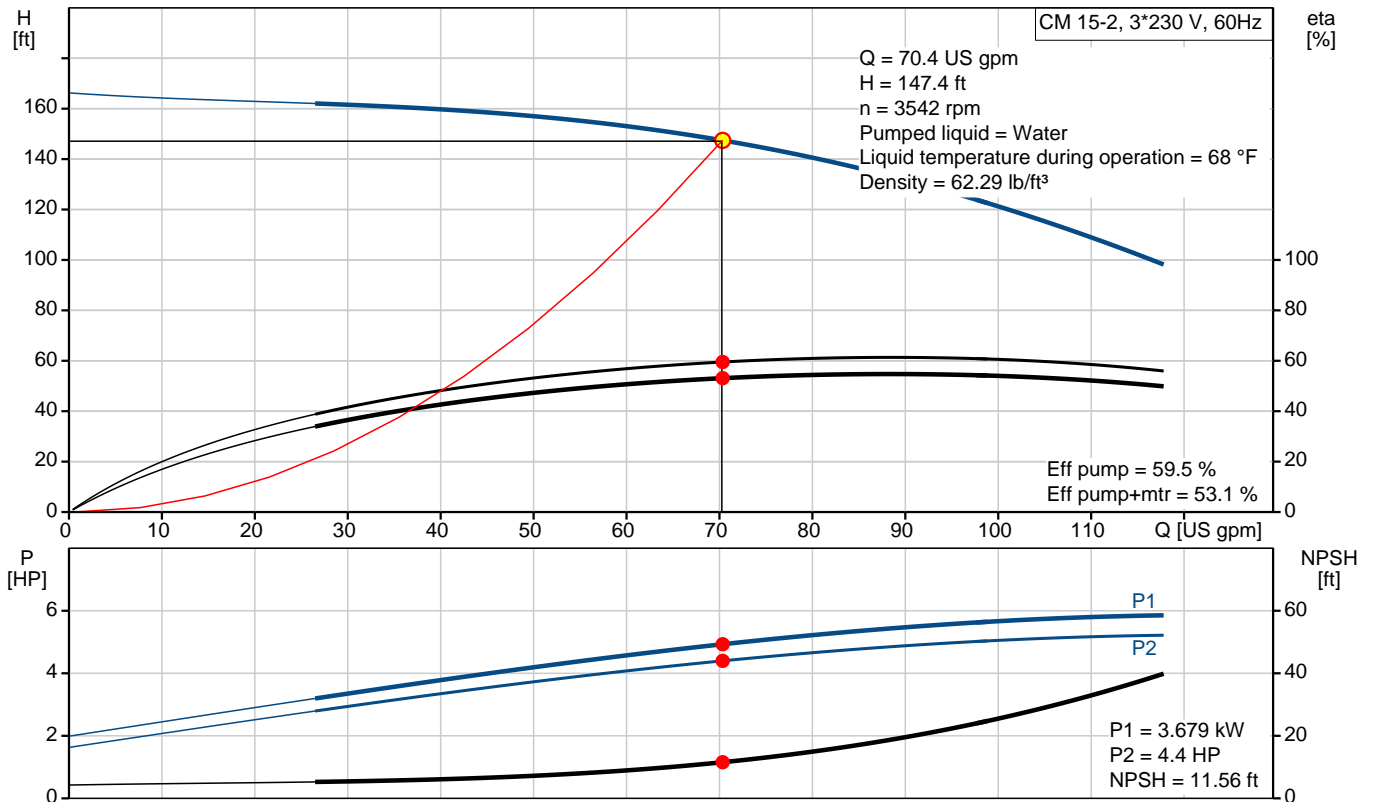
CM 15-2 A-S-G-E-AQQE E-A-A-N

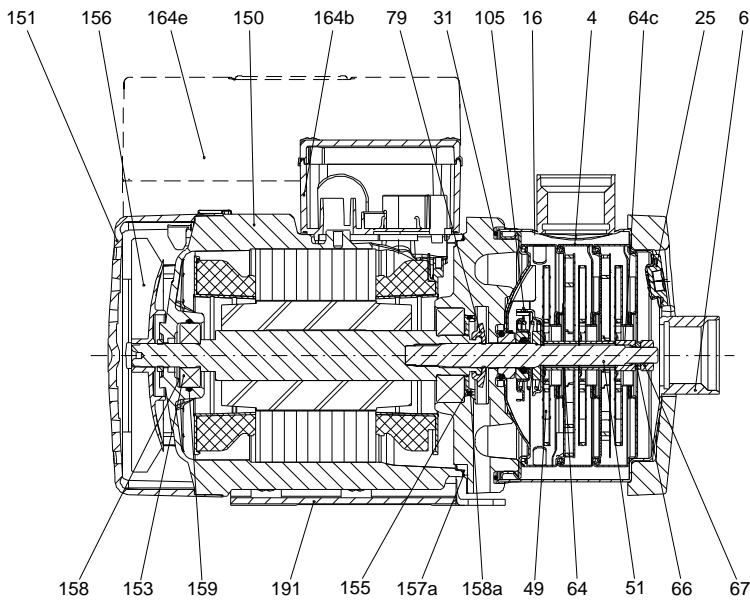
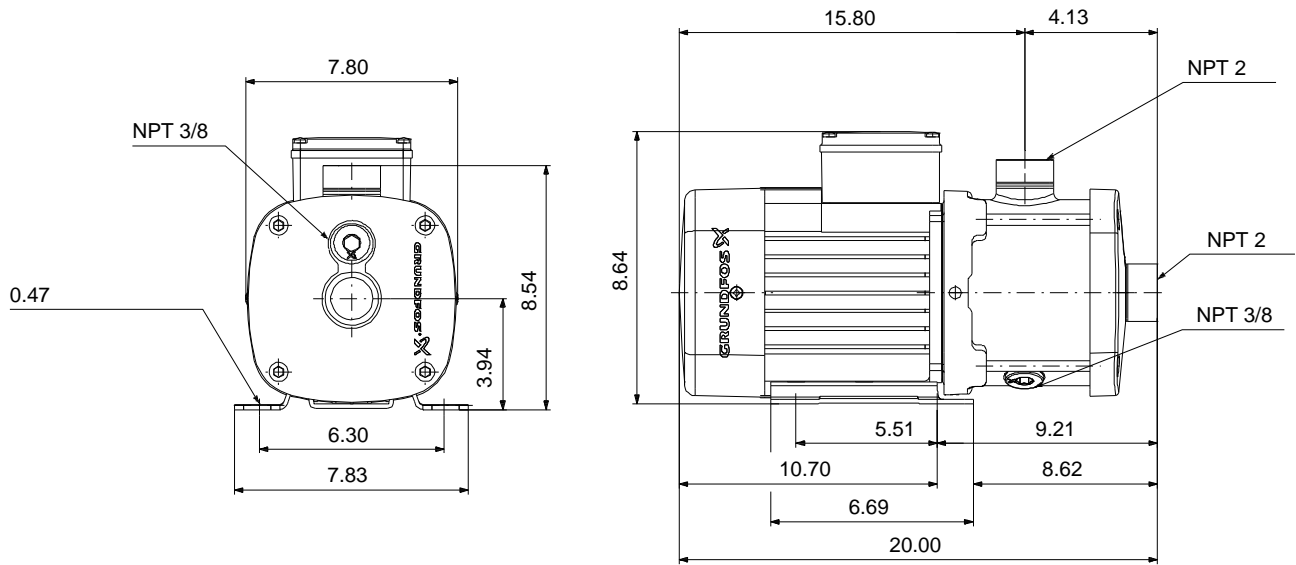


CM are reliable, quiet and compact horizontal end-suction pumps. The modular pump design makes it easy to make customised solutions. The CM pumps are available in cast iron and stainless steel

Product photo could vary from the actual product

Conditions of Service		Pump Data		Motor Data	
Flow:	70.4 US gpm	Max pressure at stated temperature:	232 psi / 194 °F	Main frequency:	60 Hz
Head:	147.4 ft	Liquid temperature range:	-4 .. 248 °F	Enclosure class:	IP55
Efficiency:	53.1 %	Maximum ambient temperature:	131 °F		
Liquid:	Water	Shaft seal:	AQQE		
Temperature:	68 °F	Product number:	96943320		
NPSH required:	11.56 ft				
Viscosity:	_____				
Specific Gravity:	1.000				





Materials:

Pump housing: Stainless steel
AISI 316

Impeller: Stainless steel
AISI 316
EN 1.4401

Material code: G

Code for rubber: E

165x100

Count	Description
1	<p data-bbox="224 338 602 367">CM 15-2 A-S-G-E-AQQE E-A-A-N</p> <div data-bbox="256 436 553 604" style="text-align: center;">  </div> <p data-bbox="610 627 1062 653" style="text-align: center;">Product photo could vary from the actual product</p> <p data-bbox="224 659 487 684">Product No.: 96943320</p> <p data-bbox="224 718 1461 793">Compact, reliable, horizontal, multistage, end-suction centrifugal pump with axial suction port and radial discharge port. Pump materials in contact with the liquid are in high-grade stainless steel. The mechanical shaft seal is a special designed, unbalanced O-ring seal. Pipework connection is via internal NPT pipe threads.</p> <p data-bbox="224 804 1107 829">The pump is fitted with a 3-phase, foot-mounted, fan-cooled asynchronous motor.</p> <p data-bbox="224 863 334 888">Controls:</p> <p data-bbox="224 892 656 917">Frequency converter: NONE</p> <p data-bbox="224 951 308 976">Liquid:</p> <p data-bbox="224 980 651 1005">Pumped liquid: Water</p> <p data-bbox="224 1010 708 1035">Liquid temperature range: -4 .. 248 °F</p> <p data-bbox="224 1039 532 1064">Selected liquid temperature: 68 °F</p> <p data-bbox="224 1068 703 1094">Density: 62.29 lb/ft³</p> <p data-bbox="224 1127 347 1152">Technical:</p> <p data-bbox="224 1157 837 1182">Pump speed on which pump data are based: 3480 rpm</p> <p data-bbox="224 1186 729 1211">Actual calculated flow: 70.4 US gpm</p> <p data-bbox="224 1215 729 1241">Rated flow: 89.8 US gpm</p> <p data-bbox="224 1245 670 1270">Resulting head of the pump: 147.4 ft</p> <p data-bbox="224 1274 670 1299">Rated head: 126.7 ft</p> <p data-bbox="224 1304 656 1329">Code for shaft seal: AQQE</p> <p data-bbox="224 1333 781 1358">Curve tolerance: ISO9906:2012 3B</p> <p data-bbox="224 1392 341 1417">Materials:</p> <p data-bbox="224 1421 743 1509">Pump housing: Stainless steel EN 1.4401 AISI 316</p> <p data-bbox="224 1514 743 1602">Impeller: Stainless steel EN 1.4401 AISI 316</p> <p data-bbox="224 1635 363 1661">Installation:</p> <p data-bbox="224 1665 708 1690">Range of ambient temperature: -4 .. 131 °F</p> <p data-bbox="224 1694 699 1719">Maximum operating pressure: 232.06 psi</p> <p data-bbox="224 1724 821 1778">Max pressure at stated temperature: 232 psi / 194 °F 145 psi / 250 °F</p> <p data-bbox="224 1782 667 1808">Type of connection: NPT(F)</p> <p data-bbox="224 1812 651 1837">Size of suction port: 2 inch</p> <p data-bbox="224 1841 651 1866">Size of outlet port: 2 inch</p> <p data-bbox="224 1871 613 1896">Outlet position: 12</p> <p data-bbox="224 1929 399 1955">Electrical data:</p>



Company name: PFC Equipment

Created by:

Phone:

Date: 4/6/2020

Count	Description
	Motor standard: NEMA
	Frame size: 100B
	IE efficiency class: IE3 / NEMA Premium
	Rated power - P2: 5.36 HP
	Main frequency: 60 Hz
	Suitable for 50/60 Hz: N
	Phase: 3
	Rated voltage: 208-230YY/440-480Y V
	Service factor: 1.00
	Rated current: 14,8-14,2/7,2-7,0 A
	Rated speed: 3520-3530 rpm
	Enclosure class (IEC 34-5): IP55
	Insulation class (IEC 85): F
	Built-in motor protection: NONE
	Others:
	Terminal box position: 12
	Minimum efficiency index, MEI $\eta_{\%}$: 0.59
	Net weight: 77.5 lb
	Gross weight: 83 lb
	Approvals: CE,CULUS,WRAS,ACS,TR,EAC,CURUS
	Country of origin: US
	Custom tariff no.: 8413.70.2040



Company name: PFC Equipment

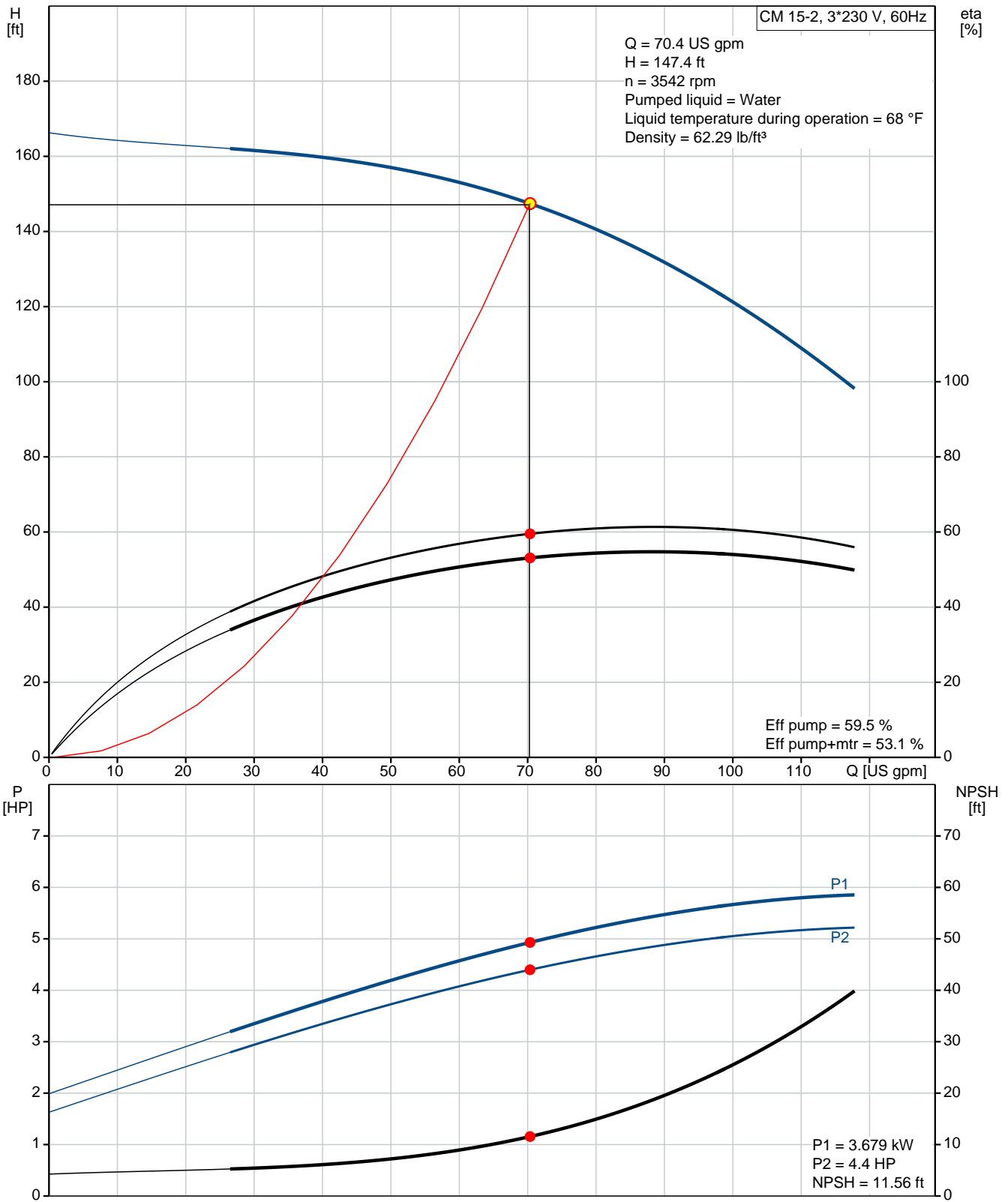
Created by:

Phone:

Date:

4/6/2020

96943320 CM 15-2 A-S-G-E-AQQE E-A-A-N 60 Hz





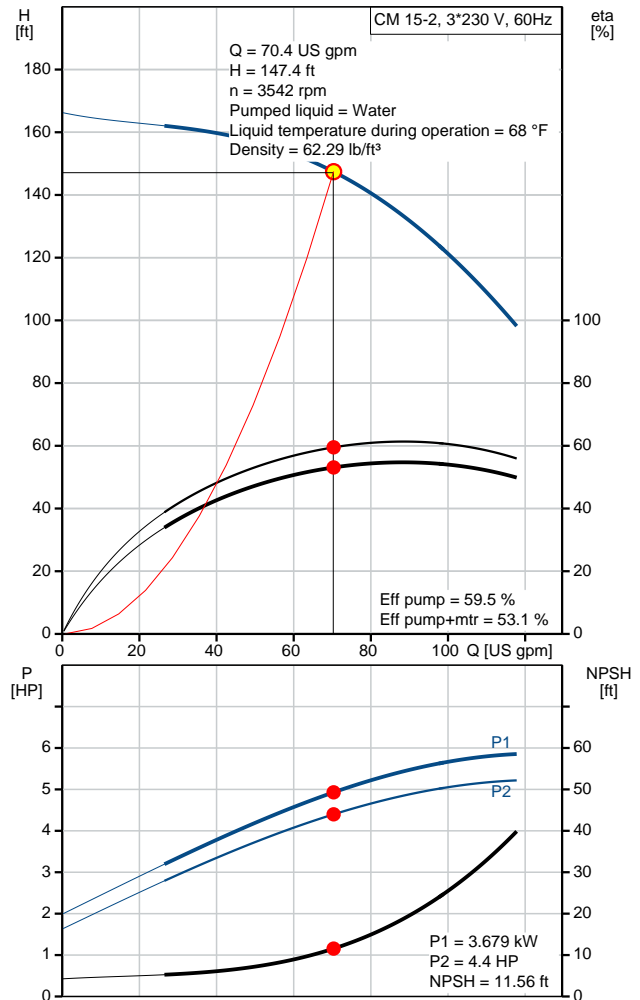
Company name: PFC Equipment

Created by:

Phone:

Date: 4/6/2020

Description	Value
General information:	
Product name:	CM 15-2 A-S-G-E-AQQE E-A-A-N
Product No.:	96943320
EAN:	5700314297886 5700314297886
Technical:	
Pump speed on which pump data are based:	3480 rpm
Actual calculated flow:	70.4 US gpm
Rated flow:	89.8 US gpm
Resulting head of the pump:	147.4 ft
Rated head:	126.7 ft
Impellers:	2
Code for shaft seal:	AQQE
Curve tolerance:	ISO9906:2012 3B
Pump version:	A
Model:	A
Materials:	
Pump housing:	Stainless steel EN 1.4401 AISI 316
Impeller:	Stainless steel EN 1.4401 AISI 316
Material code:	G
Code for rubber:	E
Installation:	
Range of ambient temperature:	-4 .. 131 °F
Maximum operating pressure:	232.06 psi
Max pressure at stated temperature:	232 psi / 194 °F 145 psi / 250 °F
Type of connection:	NPT(F)
Size of suction port:	2 inch
Size of outlet port:	2 inch
Outlet position:	12
Connect code:	S
Liquid:	
Pumped liquid:	Water
Liquid temperature range:	-4 .. 248 °F
Selected liquid temperature:	68 °F
Density:	62.29 lb/ft³
Electrical data:	
Motor standard:	NEMA
Frame size:	100B
IE efficiency class:	IE3 / NEMA Premium
Rated power - P2:	5.36 HP
Main frequency:	60 Hz
Suitable for 50/60 Hz:	N
Phase:	3
Rated voltage:	208-230YY/440-480Y V
Service factor:	1.00
Rated current:	14,8-14,2/7,2-7,0 A





Company name: PFC Equipment

Created by:

Phone:

Date: 4/6/2020

Description	Value
Rated speed:	3520-3530 rpm
Enclosure class (IEC 34-5):	IP55
Insulation class (IEC 85):	F
Built-in motor protection:	NONE
Controls:	
Frequency converter:	NONE
Others:	
Terminal box position:	12
Minimum efficiency index, MEI â%¥:	0.59
Net weight:	77.5 lb
Gross weight:	83 lb
Approvals:	CE,CULUS,WRAS,ACS,TR,EA C,CURUS
Country of origin:	US
Custom tariff no.:	8413.70.2040



Company name: PFC Equipment

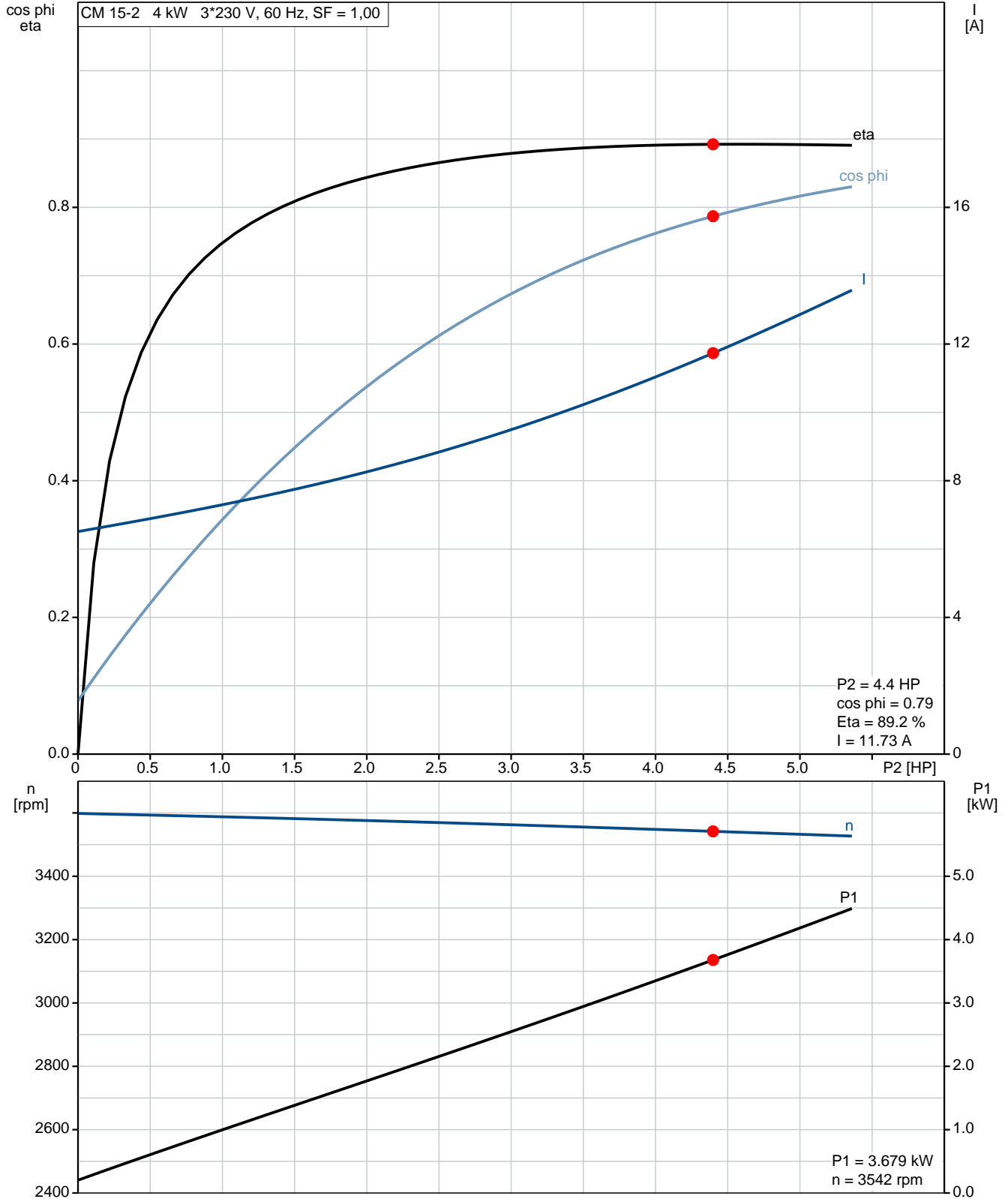
Created by:

Phone:

Date:

4/6/2020

96943320 CM 15-2 A-S-G-E-AQQE E-A-A-N 60 Hz



96943320 CM 15-2 A-S-G-E-AQQE E-A-A-N 60 Hz

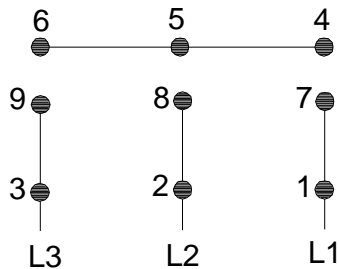


WARNING

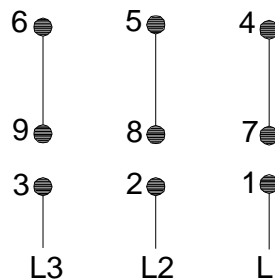
MOTOR MUST BE GROUNDED IN ACCORDANCE WITH THE NATIONAL ELECTRICAL CODE AND LOCAL CODES BY TRAINED PERSONNEL TO PREVENT SERIOUS ELECTRICAL SHOCKS.

TO SERVICE MOTOR, DISCONNECT POWER SOURCE FROM MOTOR AND ANY ACCESSORY DEVICES AND ALLOW MOTOR TO COME TO A COMPLETE STAND STILL.

LOW VOLTAGE
60Hz. 208-230V



HIGH VOLTAGE
60Hz: 460V
50Hz: 400V



96553852

INTERCHANGE ANY TWO LINE WIRES TO REVERSE ROTATION THERMOSTAT LEADS (WHEN PROVIDED)

