

PROJECT: _____	UNIT TAG: _____	QUANTITY: _____
REPRESENTATIVE: _____	TYPE OF SERVICE: _____	DATE: _____
ENGINEER: _____	SUBMITTED BY: _____	DATE: _____
CONTRACTOR: _____	APPROVED BY: _____	DATE: _____
	ORDER NO.: _____	DATE: _____

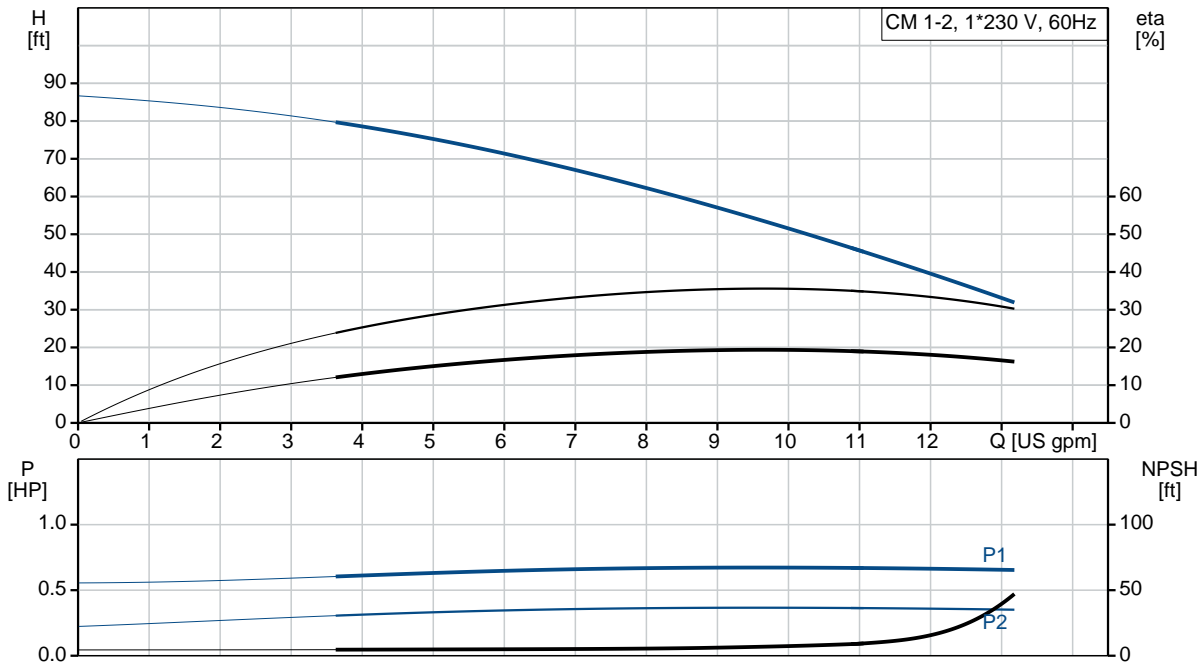
### CM 1-2 A-S-G-E-AQQE B-A-A-N

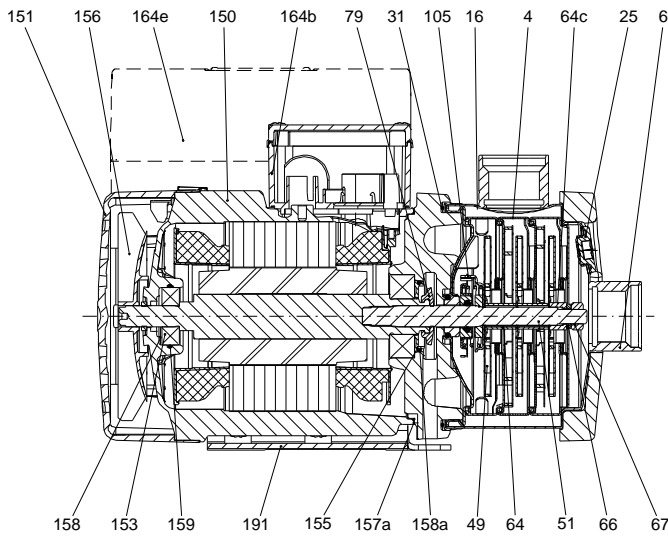
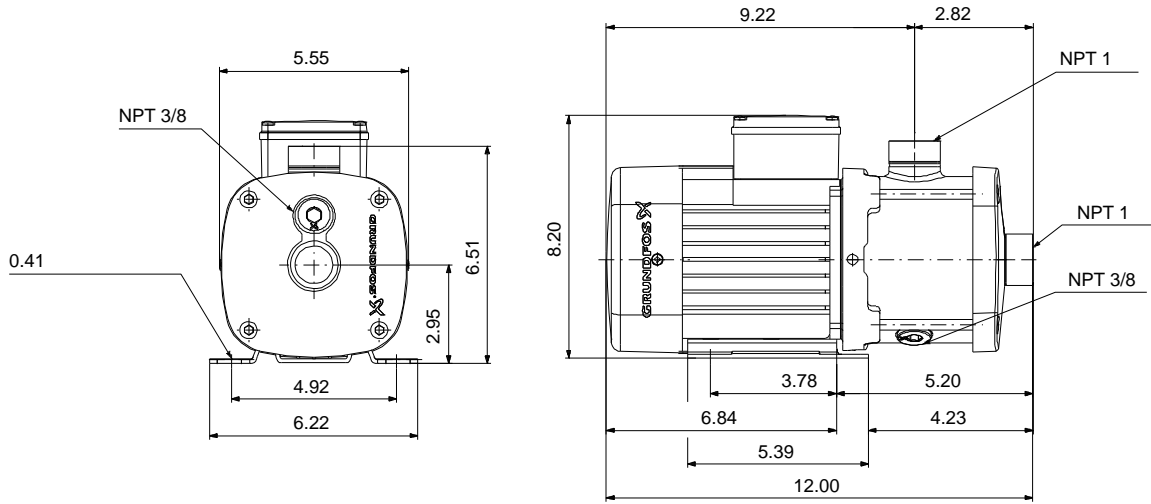


CM are reliable, quiet and compact horizontal end-suction pumps. The modular pump design makes it easy to make customised solutions. The CM pumps are available in cast iron and stainless steel

Product photo could vary from the actual product

Conditions of Service	Pump Data	Motor Data
Flow: _____	Max pressure at stated temperature: 232 psi / 194 °F	Main frequency: 60 Hz
Head: _____	Liquid temperature range: -4 .. 248 °F	Enclosure class: IP55
Efficiency: _____	Maximum ambient temperature: 131 °F	
Liquid: Water	Shaft seal: AQQE	
Temperature: 68 °F	Product number: 97568184	
NPSH required: ft		
Viscosity: _____		
Specific Gravity: 1.000		





**Materials:**

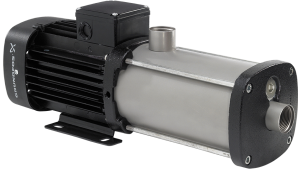

Pump housing: Stainless steel  
AISI 316

Impeller: Stainless steel  
AISI 316  
EN 1.4401

Material code: G

Code for rubber: E

165x100

Count	Description
1	<p data-bbox="298 415 665 443"><b>CM 1-2 A-S-G-E-AQQE B-A-A-N</b></p> <div data-bbox="331 512 626 680">  </div> <p data-bbox="685 701 1138 728" style="text-align: center;">Product photo could vary from the actual product</p> <p data-bbox="298 735 561 762">Product No.: <a href="#">97568184</a></p> <p data-bbox="298 793 1385 894">Compact, reliable, horizontal, multistage, end-suction centrifugal pump with axial suction port and radial discharge port. Pump materials in contact with the liquid are in high-grade stainless steel. The mechanical shaft seal is a special designed, unbalanced O-ring seal. Pipework connection is via internal NPT pipe threads.</p> <p data-bbox="298 905 1182 932">The pump is fitted with a 1-phase, foot-mounted, fan-cooled asynchronous motor.</p> <p data-bbox="298 963 613 995"><b>Further product details</b></p> <p data-bbox="298 999 1354 1052">Pump and motor are integrated in a compact and user-friendly design. The pump is fitted to a low base plate, making it ideal for installation in systems where compactness is important.</p> <p data-bbox="298 1058 1354 1110">The state-of-the-art design and materials of the shaft seal ensure high wear resistance, improved sticking and dry-running capabilities and long operating life.</p> <p data-bbox="298 1117 1395 1169">Servicing the pump requires no special service tools. Service parts are in stock for quick delivery and are available as kits, single parts or bulk. Service videos are available on <a href="http://www.youtube.com">www.youtube.com</a>.</p> <p data-bbox="298 1201 380 1232"><b>Pump</b></p> <p data-bbox="298 1239 1370 1339">A combination of a stop ring and a Nord-lock® washer secures a tight and reliable fixation of the impeller spacing pipes to the splined pump shaft. It is possible to remove and fit the hydraulic parts from the pump side. The inlet and outlet port are integrated in the pump sleeve. The inlet part, chambers and discharge part are held together by four staybolts and a retaining flange.</p> <p data-bbox="298 1377 1367 1430">The pump is fitted with an unbalanced O-ring seal with a rigid torque-transmission system. It has a fixed seal driver ensuring a reliable rotation of all parts. The dynamic secondary seal is an O-ring.</p> <p data-bbox="298 1436 444 1463">Primary seal:</p> <ul data-bbox="337 1467 891 1524" style="list-style-type: none"> <li>• Rotating seal ring material: silicon carbide (SiC)</li> <li>• Stationary seat material: silicon carbide (SiC)</li> </ul> <p data-bbox="298 1528 1395 1581">This material pairing is used where higher corrosion resistance is required. The high hardness of this material pairing offers good resistance against abrasive particles.</p> <p data-bbox="298 1585 956 1612">Secondary seal material: EPDM (ethylene-propylene rubber)</p> <p data-bbox="298 1617 1187 1644">EPDM has excellent resistance to hot water. EPDM is not suitable for mineral oils.</p> <div data-bbox="311 1650 675 1822">  </div>



Company name:

Created by:

Phone:

Date:

4/1/2020

Count	Description
	<p>The pump shaft is connected to the motor shaft through a left thread and tight fit. The shaft cannot be dismantled.</p> <p><b>Motor</b> The motor is a totally enclosed, fan-cooled motor with principal dimensions to EN 50347. Electrical tolerances comply with EN 60034.</p> <p><b>Technical data</b></p> <p><b>Controls:</b> Frequency converter: NONE</p> <p><b>Liquid:</b> Pumped liquid: Water Liquid temperature range: -4 .. 248 °F Selected liquid temperature: 68 °F Density: 62.29 lb/ft<sup>3</sup></p> <p><b>Technical:</b> Pump speed on which pump data are based: 3480 rpm Rated flow: 8.98 US gpm Rated head: 59.09 ft Code for shaft seal: AQQE Curve tolerance: ISO9906:2012 3B</p> <p><b>Materials:</b> Pump housing: Stainless steel EN 1.4401 AISI 316 Impeller: Stainless steel EN 1.4401 AISI 316</p> <p><b>Installation:</b> Range of ambient temperature: -4 .. 131 °F Maximum operating pressure: 232.06 psi Max pressure at stated temperature: 232 psi / 194 °F 145 psi / 250 °F Type of connection: NPT(F) Size of suction port: 1 inch Size of outlet port: 1 inch Outlet position: 12</p> <p><b>Electrical data:</b> Motor standard: NEMA Frame size: 71B Rated power - P2: 0.805 HP Main frequency: 60 Hz Suitable for 50/60 Hz: N</p>



Company name:  
Created by:  
Phone:

Date: 4/1/2020

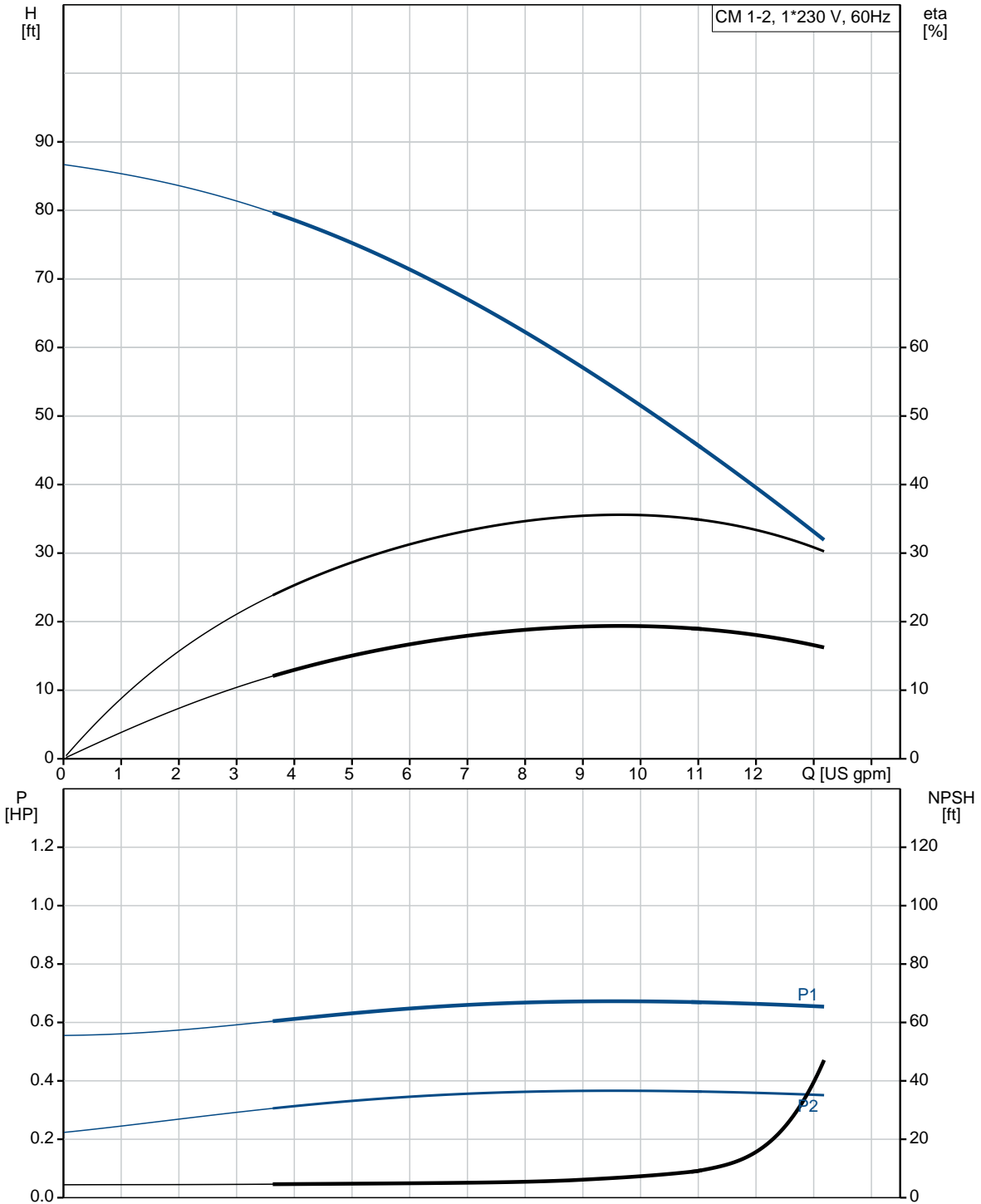
Count	Description
	Phase: 1
	Rated voltage: 115/230 V
	Service factor: 1.00
	Rated current: 7.6/3.9 A
	Starting current: 260-260 %
	Rated speed: 3240 rpm
	Enclosure class (IEC 34-5): IP55
	Insulation class (IEC 85): F
	Built-in motor protection: NONE
	<b>Others:</b>
	Terminal box position: 12
	Minimum efficiency index, MEI $\eta_{\%}$ : 0.68
	Net weight: 27.2 lb
	Gross weight: 32.7 lb
	Approvals: CE,CULUS,WRAS,ACS,TR,EAC,CURUS
	Country of origin: US
	Custom tariff no.: 8413.70.2040



Company name:  
Created by:  
Phone:

Date: 4/1/2020

### 97568184 CM 1-2 A-S-G-E-AQQE B-A-A-N 60 Hz





Company name:  
Created by:  
Phone:

Date: 4/1/2020

Description	Value
-------------	-------

**General information:**

Product name: CM 1-2 A-S-G-E-AQQE  
B-A-A-N  
Product No.: 97568184  
EAN: 5700318667456  
5700318667456

**Technical:**

Pump speed on which pump data are based: 3480 rpm  
Rated flow: 8.98 US gpm  
Rated head: 59.09 ft  
Impellers: 2  
Code for shaft seal: AQQE  
Curve tolerance: ISO9906:2012 3B  
Pump version: A  
Model: A

**Materials:**

Pump housing: Stainless steel  
EN 1.4401  
AISI 316  
Impeller: Stainless steel  
EN 1.4401  
AISI 316

Material code: G  
Code for rubber: E

**Installation:**

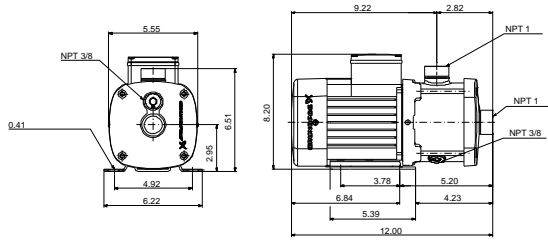
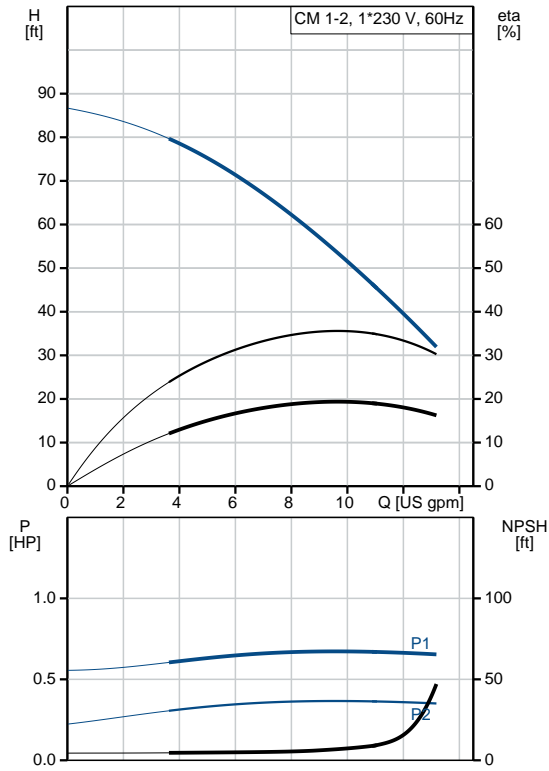
Range of ambient temperature: -4 .. 131 °F  
Maximum operating pressure: 232.06 psi  
Max pressure at stated temperature: 232 psi / 194 °F  
145 psi / 250 °F  
Type of connection: NPT(F)  
Size of suction port: 1 inch  
Size of outlet port: 1 inch  
Outlet position: 12  
Connect code: S

**Liquid:**

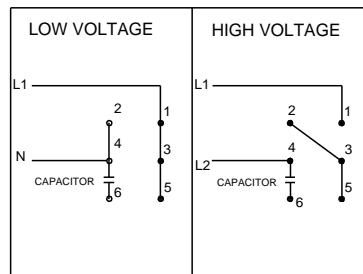
Pumped liquid: Water  
Liquid temperature range: -4 .. 248 °F  
Selected liquid temperature: 68 °F  
Density: 62.29 lb/ft<sup>3</sup>

**Electrical data:**

Motor standard: NEMA  
Frame size: 71B  
Rated power - P2: 0.805 HP  
Main frequency: 60 Hz  
Suitable for 50/60 Hz: N  
Phase: 1



SUITABLE FOR FIELD CONNECTION





Company name:

Created by:

Phone:

Date:

4/1/2020

Description	Value
Rated voltage:	115/230 V
Service factor:	1.00
Rated current:	7.6/3.9 A
Starting current:	260-260 %
Rated speed:	3240 rpm
Enclosure class (IEC 34-5):	IP55
Insulation class (IEC 85):	F
Built-in motor protection:	NONE
<b>Controls:</b>	
Frequency converter:	NONE
<b>Others:</b>	
Terminal box position:	12
Minimum efficiency index, MEI â%â€¢:	0.68
Net weight:	27.2 lb
Gross weight:	32.7 lb
Approvals:	CE,CULUS,WRAS,ACS,TR,E AC,CURUS
Country of origin:	US
Custom tariff no.:	8413.70.2040

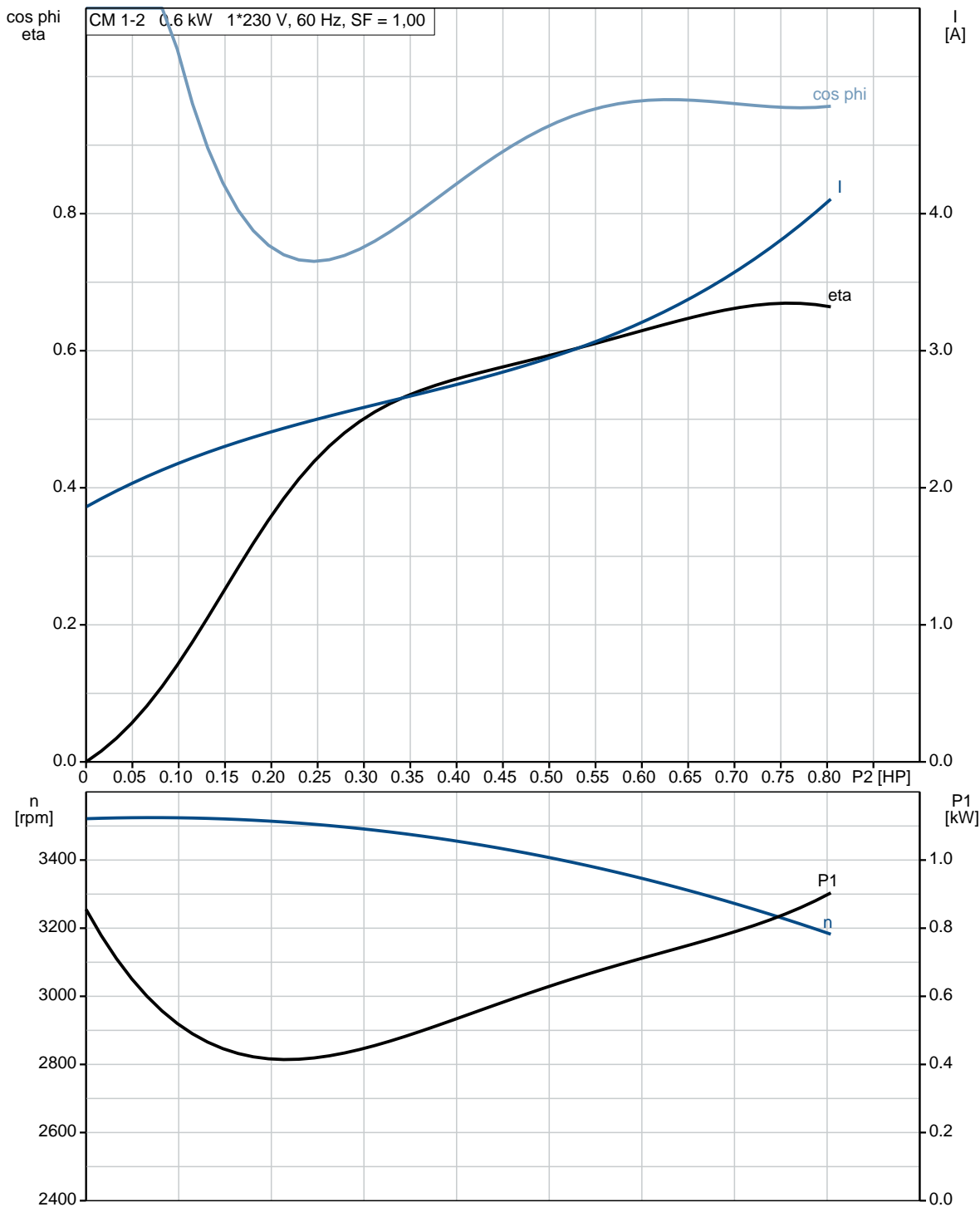




Company name:  
Created by:  
Phone:

Date: 4/1/2020

### 97568184 CM 1-2 A-S-G-E-AQQE B-A-A-N 60 Hz

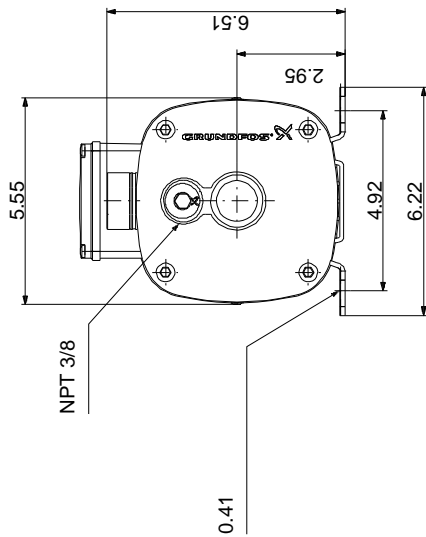
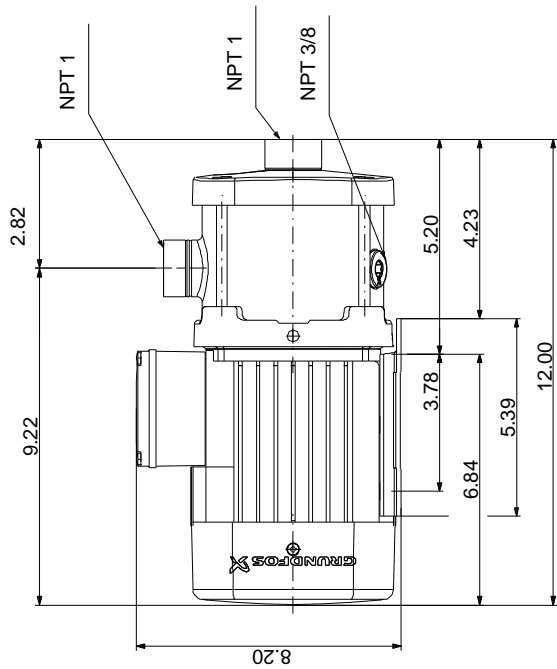




Company name:  
Created by:  
Phone:

Date: 4/1/2020

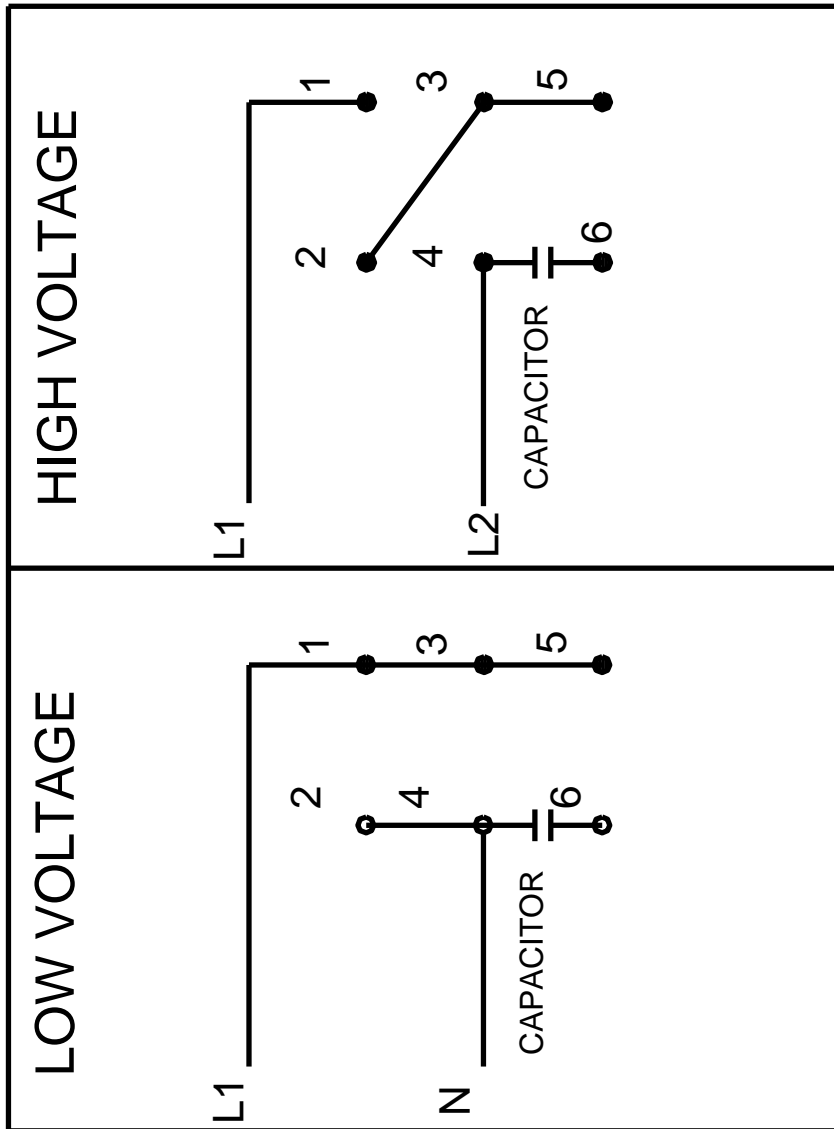
### 97568184 CM 1-2 A-S-G-E-AQQE B-A-A-N 60 Hz



Note! All units are in [in] unless otherwise stated.  
Disclaimer: This simplified dimensional drawing does not show all details.

**97568184 CM 1-2 A-S-G-E-AQQE B-A-A-N 60 Hz**

**SUITABLE FOR FIELD CONNECTION**



All units are [in] unless otherwise presented.