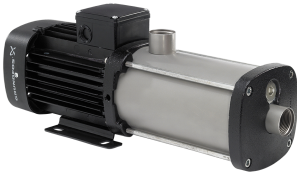


|                       |                        |                 |
|-----------------------|------------------------|-----------------|
| PROJECT: _____        | UNIT TAG: _____        | QUANTITY: _____ |
| REPRESENTATIVE: _____ | TYPE OF SERVICE: _____ | DATE: _____     |
| ENGINEER: _____       | SUBMITTED BY: _____    | DATE: _____     |
| CONTRACTOR: _____     | APPROVED BY: _____     | DATE: _____     |
|                       | ORDER NO.: _____       | DATE: _____     |

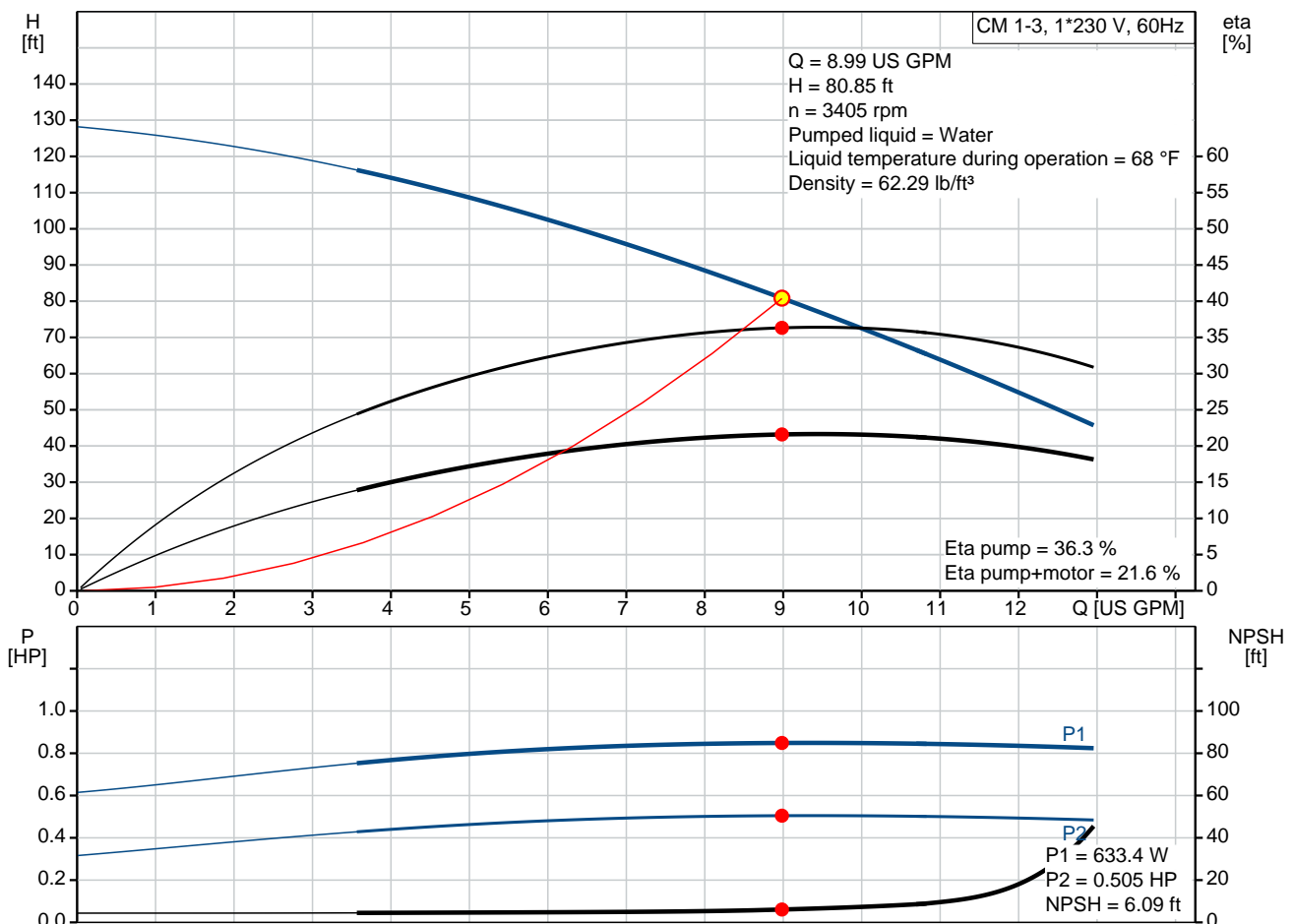
### CM 1-3 A-S-G-E-AQQE B-A-A-N

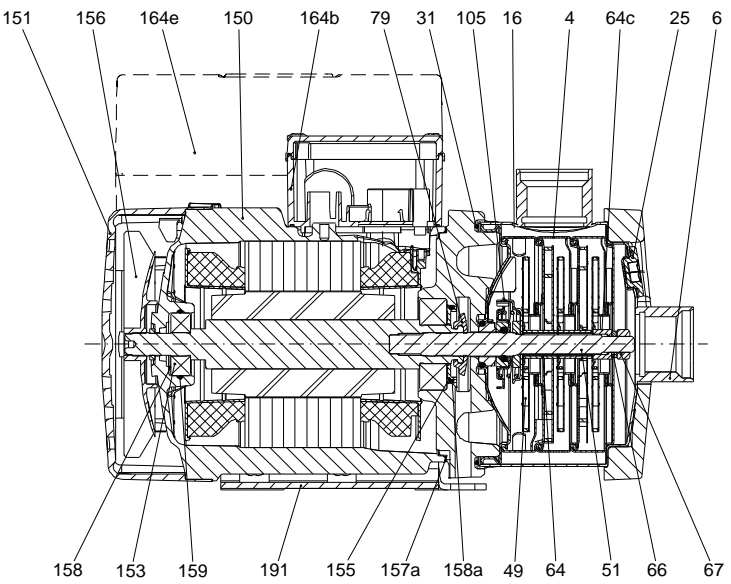
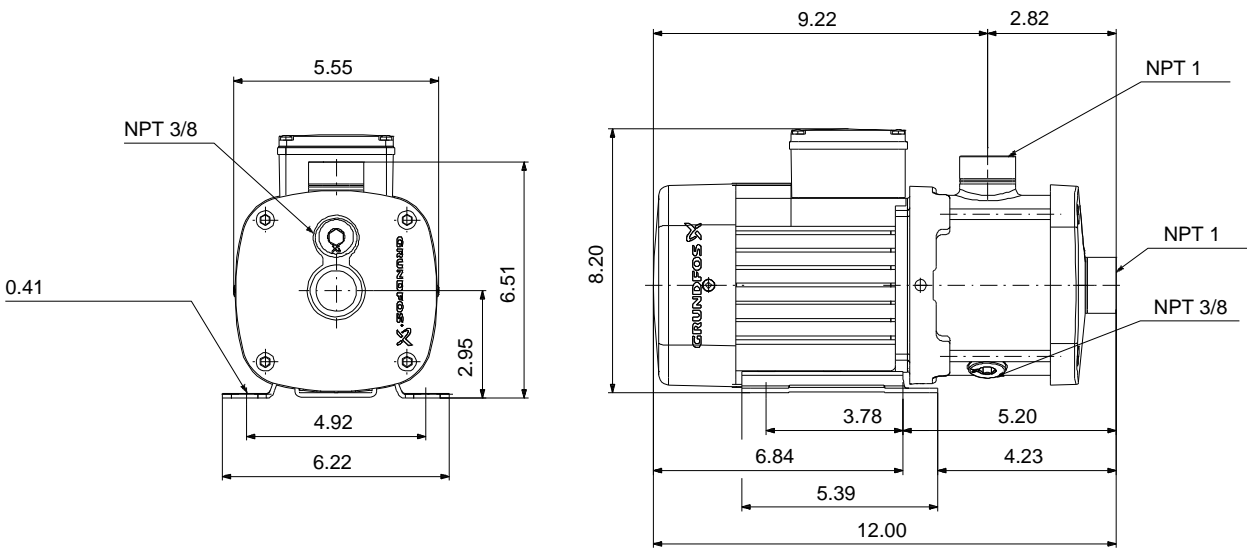


CM are reliable, quiet and compact horizontal end-suction pumps. The modular pump design makes it easy to make customised solutions. The CM pumps are available in cast iron and stainless steel

Note! Product picture may differ from actual product

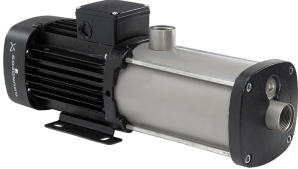
| Conditions of Service |             | Pump Data                    |                  | Motor Data       |       |
|-----------------------|-------------|------------------------------|------------------|------------------|-------|
| Flow:                 | 8.99 US GPM | Max pressure at stated temp: | 232 psi / 194 °F | Mains frequency: | 60 Hz |
| Head:                 | 80.85 ft    | Liquid temperature range:    | -4 .. 248 °F     | Enclosure class: | IP55  |
| Efficiency:           | 21.6 %      | Maximum ambient temperature: | 131 °F           |                  |       |
| Liquid:               | Water       | Shaft seal:                  | AQQE             |                  |       |
| Temperature:          | 68 °F       | Product number:              | 97568185         |                  |       |
| NPSH required:        | 6.09 ft     |                              |                  |                  |       |
| Viscosity:            | _____       |                              |                  |                  |       |
| Specific Gravity:     | 1.000       |                              |                  |                  |       |





**Materials:**  
 Pump housing: Stainless steel  
 AISI 316  
 Impeller: Stainless steel  
 AISI 316  
 EN 1.4401  
 Material code: G  
 Code for rubber: E

165x100

| Qty. | Description  |
|------|--|
| 1    | <p data-bbox="199 338 571 369"><b>CM 1-3 A-S-G-E-AQQE B-A-A-N</b></p> <div data-bbox="236 439 534 607">  </div> <p data-bbox="592 629 1075 654" style="text-align: center;"><b>Note! Product picture may differ from actual product</b></p> <p data-bbox="199 663 469 687">Product No.: <a href="#">97568185</a></p> <p data-bbox="199 719 1453 797">Compact, reliable, horizontal, multistage, end-suction centrifugal pump with axial suction port and radial discharge port. Pump materials in contact with the liquid are in high-grade stainless steel. The mechanical shaft seal is a special designed, unbalanced O-ring seal. Pipework connection is via internal NPT pipe threads.</p> <p data-bbox="199 835 1094 862">The pump is fitted with a 1-phase, foot-mounted, fan-cooled asynchronous motor.</p> <p data-bbox="199 925 316 952"><b>Controls:</b></p> <p data-bbox="199 954 638 981">Frequency converter: NONE</p> <p data-bbox="199 1014 288 1041"><b>Liquid:</b></p> <p data-bbox="199 1043 691 1162">Pumped liquid: Water<br/> Liquid temperature range: -4 .. 248 °F<br/> Selected liquid temperature: 68 °F<br/> Density: 62.29 lb/ft<sup>3</sup></p> <p data-bbox="199 1193 328 1220"><b>Technical:</b></p> <p data-bbox="199 1223 820 1429">Pump speed on which pump data are based: 3480 rpm<br/> Actual calculated flow: 8.99 US GPM<br/> Rated flow: 8.98 US GPM<br/> Resulting head of the pump: 80.85 ft<br/> Rated head: 88.92 ft<br/> Code for shaft seal: AQQE<br/> Curve tolerance: ISO9906:2012 3B</p> <p data-bbox="199 1460 320 1487"><b>Materials:</b></p> <p data-bbox="199 1489 727 1664">Pump housing: Stainless steel<br/> EN 1.4401<br/> AISI 316<br/> Impeller: Stainless steel<br/> EN 1.4401<br/> AISI 316</p> <p data-bbox="199 1695 344 1722"><b>Installation:</b></p> <p data-bbox="199 1724 750 1962">Range of ambient temperature: -4 .. 131 °F<br/> Maximum operating pressure: 232.06 psi<br/> Max pressure at stated temp: 232 psi / 194 °F<br/> 145 psi / 250 °F<br/> Type of connection: NPT(F)<br/> Size of inlet connection: 1 inch<br/> Size of outlet connection: 1 inch<br/> Outlet position: 12</p> <p data-bbox="199 1993 381 2020"><b>Electrical data:</b></p> <p data-bbox="199 2022 638 2083">Motor standard: NEMA<br/> Frame size: 71B</p> |



Company name:

Created by:

Phone:

Date:

02/04/2020

| Qty. | Description                                      |
|------|--|
|      | Rated power - P2: 0.805 HP                       |
|      | Mains frequency: 60 Hz                           |
|      | Suitable for 50/60 Hz: N                         |
|      | Phases: 1  |
|      | Rated voltage: 115/230 V                         |
|      | Service factor: 1.00                             |
|      | Rated current: 7.6/3.9 A                         |
|      | Starting current: 260-260 %                      |
|      | Rated speed: 3240 rpm                            |
|      | Enclosure class (IEC 34-5): IP55                 |
|      | Insulation class (IEC 85): F                     |
|      | Built-in motor protection: NONE                  |
|      | <b>Others:</b>                                   |
|      | Terminal box position: 12                        |
|      | Minimum efficiency index, MEI $\eta_{\%}$ : 0.68 |
|      | Net weight: 27.4 lb                              |
|      | Gross weight: 32.9 lb                            |
|      | Approvals: CE,CULUS,WRAS,ACS,TR,EAC,CURUS        |
|      | Country of origin: US                            |
|      | Custom tariff no.: 8413.70.2040                  |



Company name:

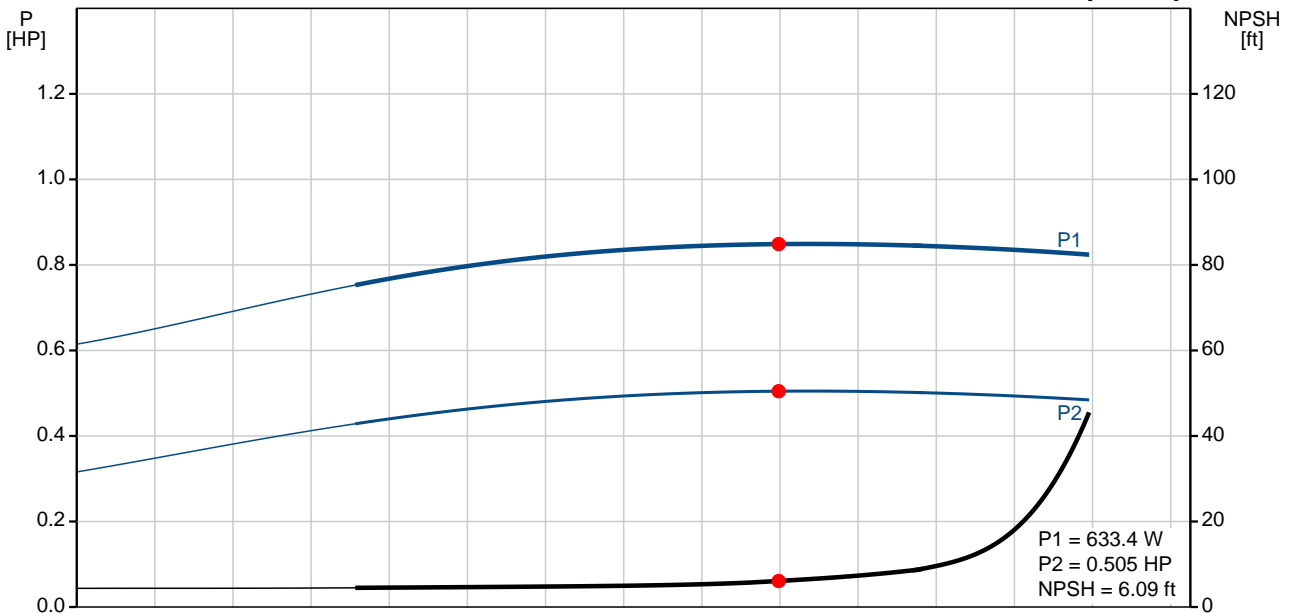
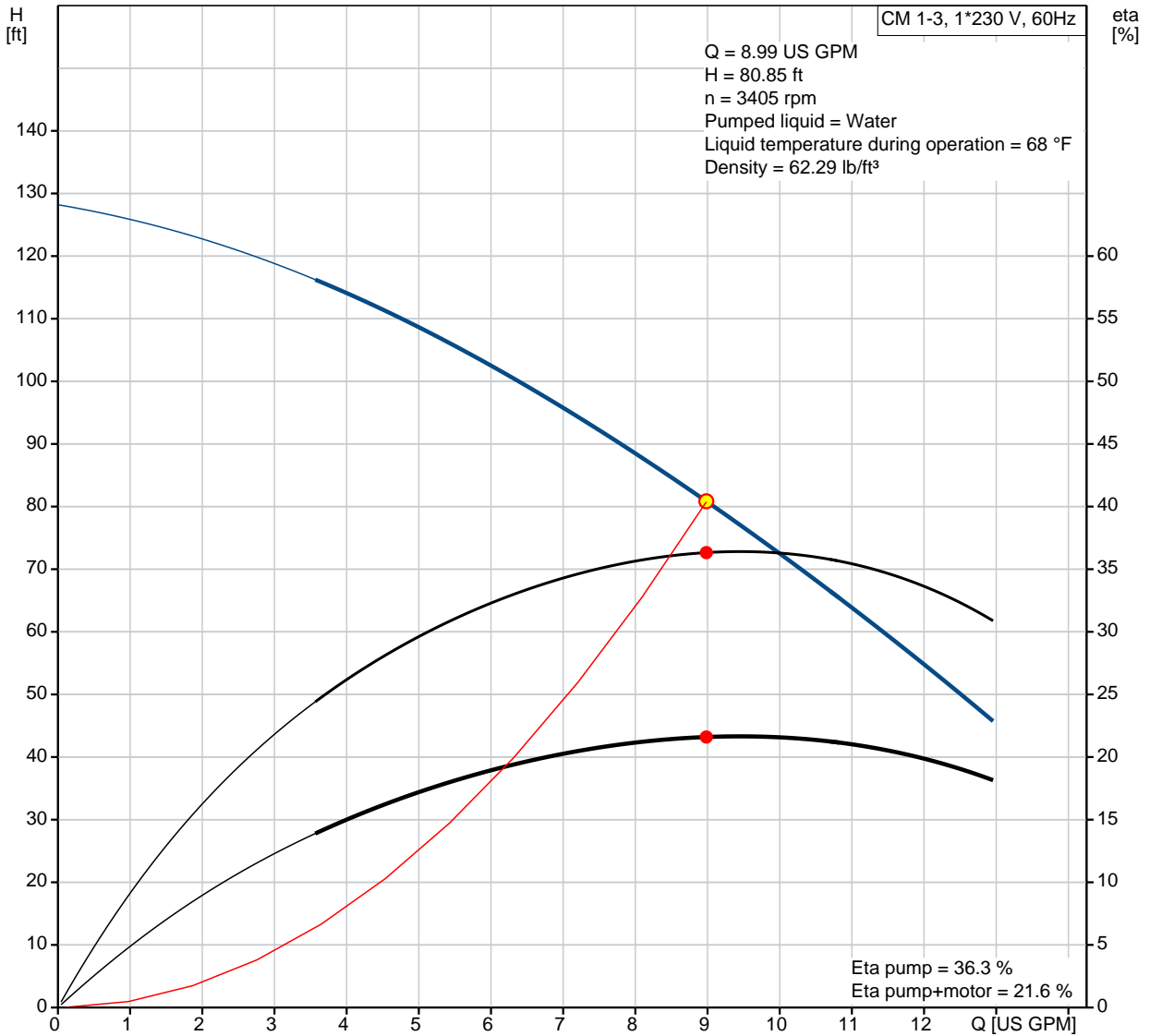
Created by:

Phone:

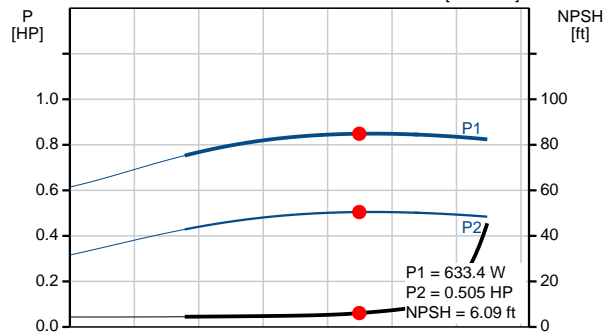
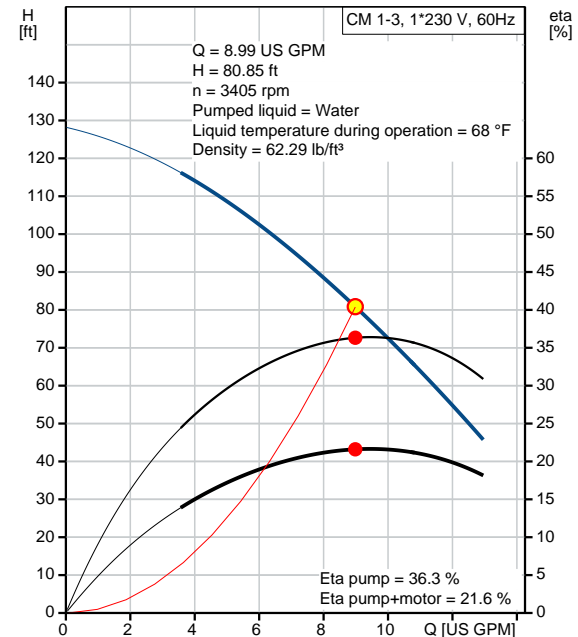
Date:

02/04/2020

### 97568185 CM 1-3 A-S-G-E-AQQE B-A-A-N 60 Hz



| Description                              | Value                                    |
|--|--|
| <b>General information:</b>              |  |
| Product name:                            | CM 1-3 A-S-G-E-AQQE<br>B-A-A-N           |
| Product No:                              | 97568185                                 |
| EAN number:                              | 5700318667463<br>5700318667463           |
| <b>Technical:</b>                        |  |
| Pump speed on which pump data are based: | 3480 rpm                                 |
| Actual calculated flow:                  | 8.99 US GPM                              |
| Rated flow:                              | 8.98 US GPM                              |
| Resulting head of the pump:              | 80.85 ft                                 |
| Rated head:                              | 88.92 ft                                 |
| Impellers:                               | 3  |
| Code for shaft seal:                     | AQQE                                     |
| Curve tolerance:                         | ISO9906:2012 3B                          |
| Pump version:                            | A  |
| Model:                                   | A  |
| <b>Materials:</b>                        |  |
| Pump housing:                            | Stainless steel<br>EN 1.4401<br>AISI 316 |
| Impeller:                                | Stainless steel<br>EN 1.4401<br>AISI 316 |
| Material code:                           | G  |
| Code for rubber:                         | E  |
| <b>Installation:</b>                     |  |
| Range of ambient temperature:            | -4 .. 131 °F                             |
| Maximum operating pressure:              | 232.06 psi                               |
| Max pressure at stated temp:             | 232 psi / 194 °F<br>145 psi / 250 °F     |
| Type of connection:                      | NPT(F)                                   |
| Size of inlet connection:                | 1 inch                                   |
| Size of outlet connection:               | 1 inch                                   |
| Outlet position:                         | 12                                       |
| Connect code:                            | S  |
| <b>Liquid:</b>                           |  |
| Pumped liquid:                           | Water                                    |
| Liquid temperature range:                | -4 .. 248 °F                             |
| Selected liquid temperature:             | 68 °F                                    |
| Density:                                 | 62.29 lb/ft <sup>3</sup>                 |
| <b>Electrical data:</b>                  |  |
| Motor standard:                          | NEMA                                     |
| Frame size:                              | 71B                                      |
| Rated power - P2:                        | 0.805 HP                                 |
| Mains frequency:                         | 60 Hz                                    |
| Suitable for 50/60 Hz:                   | N  |
| Phases:                                  | 1  |
| Rated voltage:                           | 115/230 V                                |
| Service factor:                          | 1.00                                     |
| Rated current:                           | 7.6/3.9 A                                |
| Starting current:                        | 260-260 %                                |
| Rated speed:                             | 3240 rpm                                 |
| Enclosure class (IEC 34-5):              | IP55                                     |
| Insulation class (IEC 85):               | F  |
| Built-in motor protection:               | NONE                                     |
| <b>Controls:</b>                         |  |
| Frequency converter:                     | NONE                                     |





Company name:

Created by:

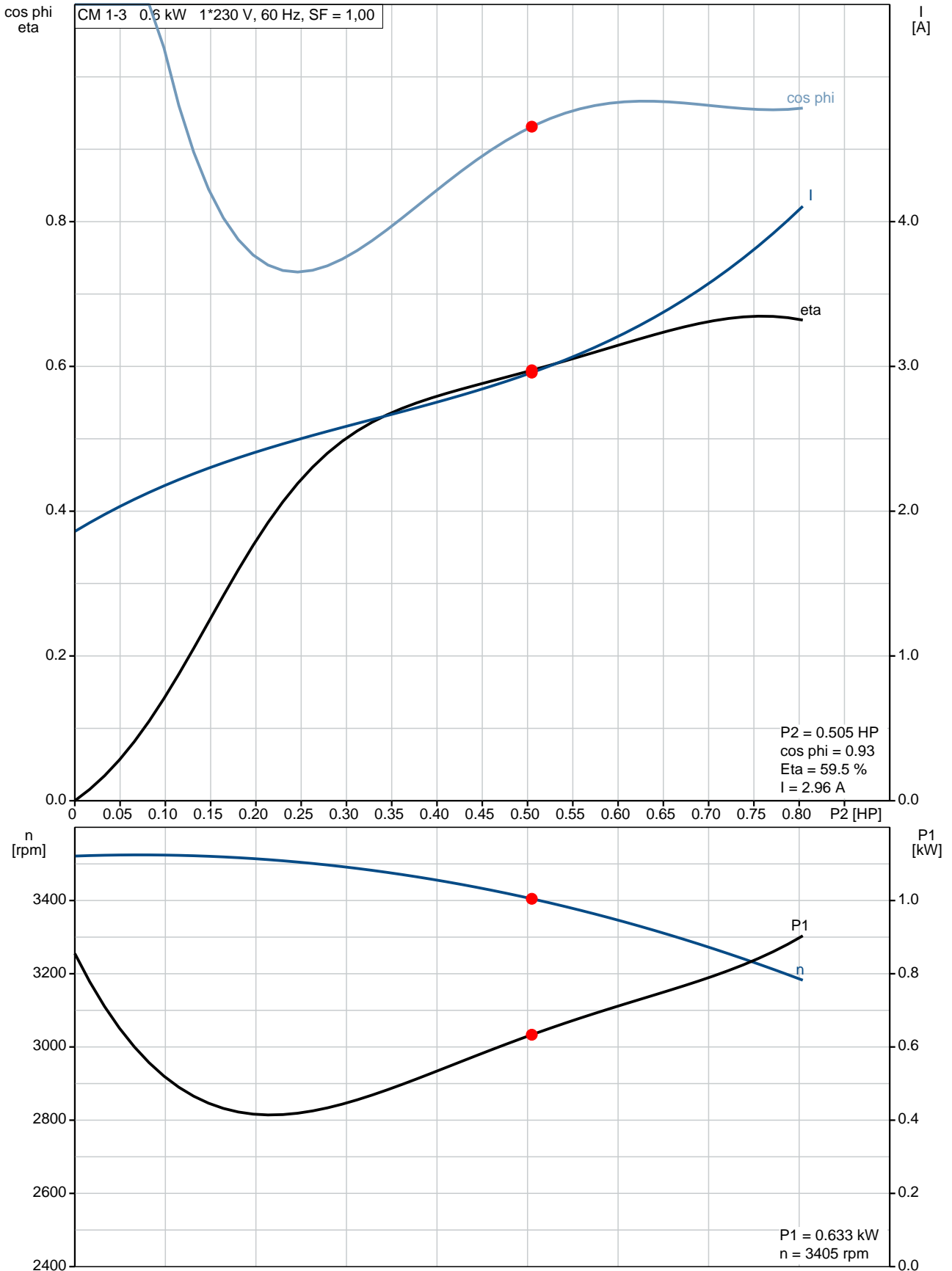
Phone:

Date:

02/04/2020

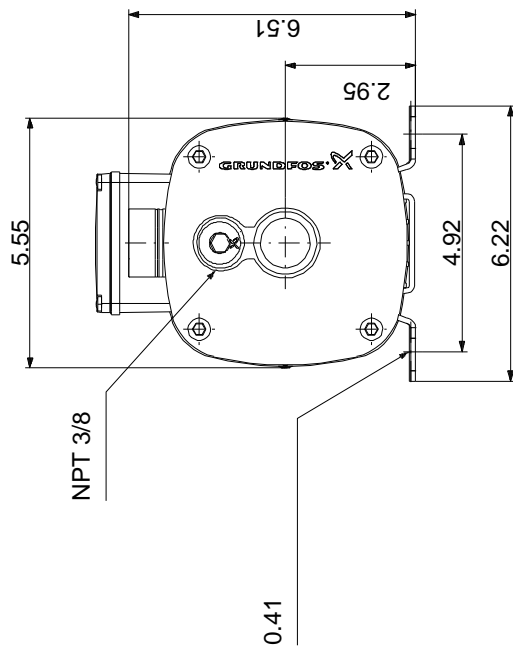
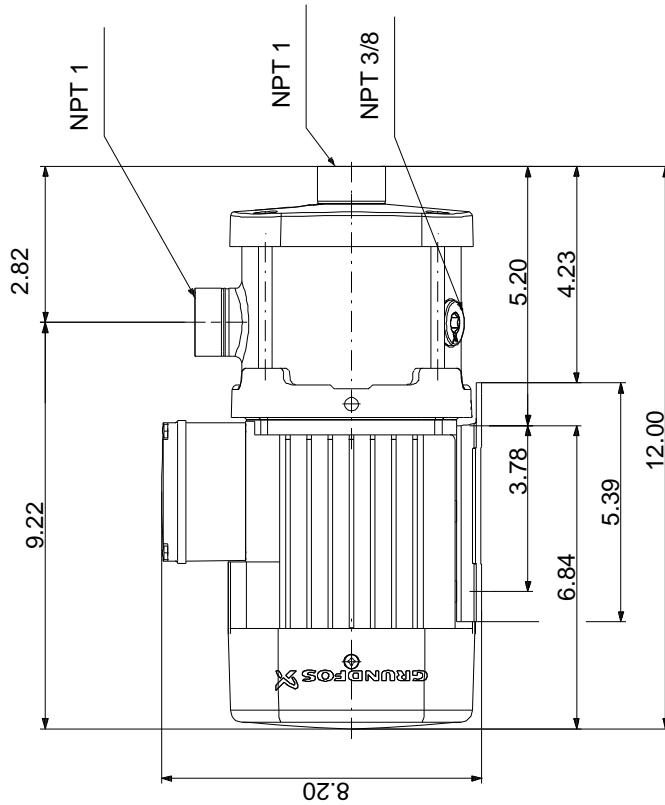
| Description                           | Value                              |
|---------------------------------------|------------------------------------|
| <b>Others:</b>                        |                                    |
| Terminal box position:                | 12                                 |
| Minimum efficiency index, MEI<br>â%¥: | 0.68                               |
| Net weight:                           | 27.4 lb                            |
| Gross weight:                         | 32.9 lb                            |
| Approvals:                            | CE,CULUS,WRAS,ACS,TR,EA<br>C,CURUS |
| Country of origin:                    | US                                 |
| Custom tariff no.:                    | 8413.70.2040                       |

## 97568185 CM 1-3 A-S-G-E-AQQE B-A-A-N 60 Hz





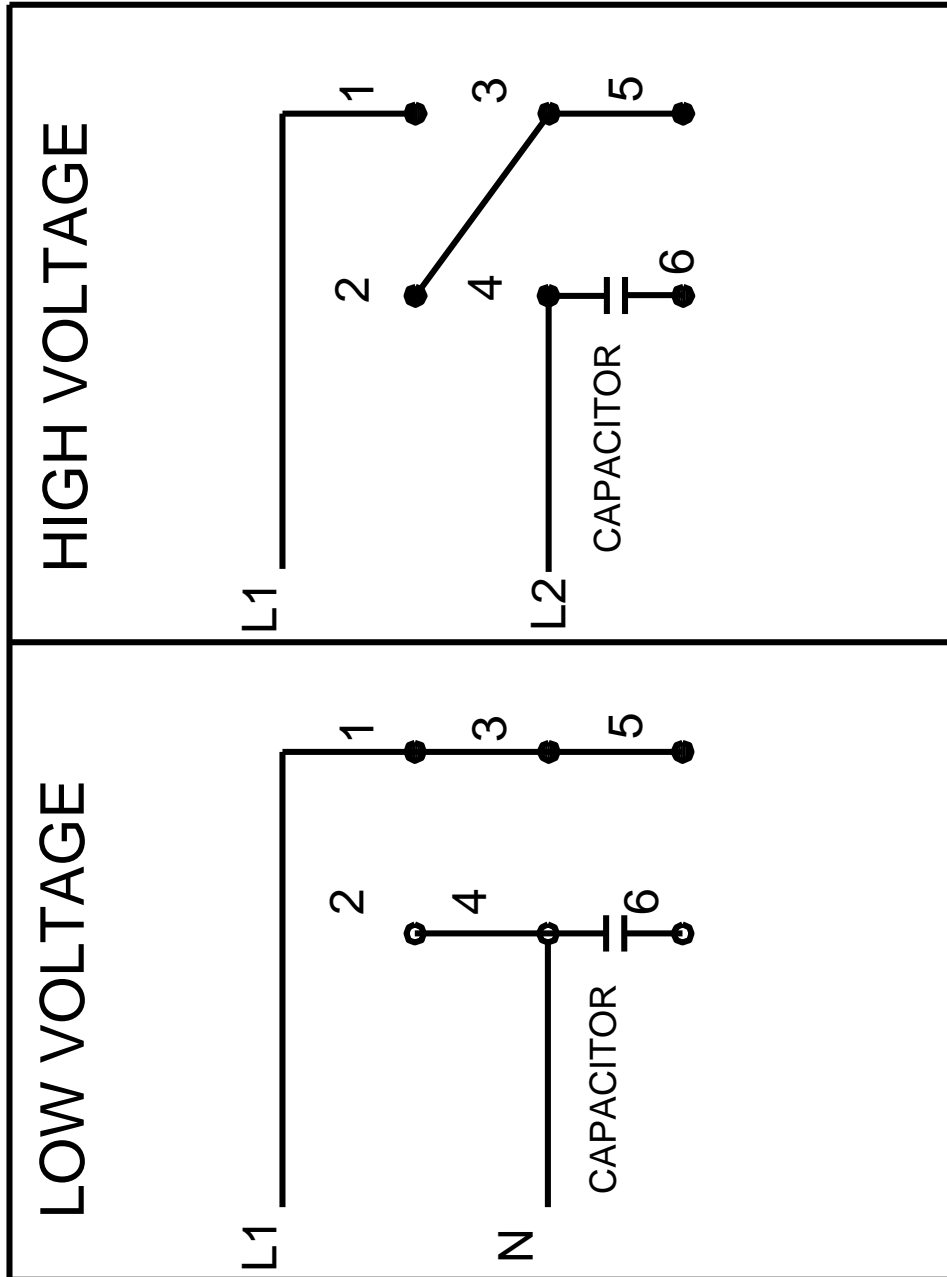
## 97568185 CM 1-3 A-S-G-E-AQQE B-A-A-N 60 Hz



Note! All units are in [in] unless others are stated.  
 Disclaimer: This simplified dimensional drawing does not show all details.

97568185 CM 1-3 A-S-G-E-AQQE B-A-A-N 60 Hz

## SUITABLE FOR FIELD CONNECTION



Note! All units are in [in] unless others are stated.