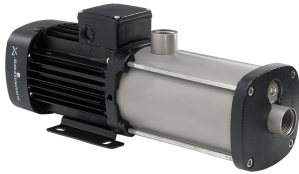


PROJECT: _____	UNIT TAG: _____	QUANTITY: _____
REPRESENTATIVE: _____	TYPE OF SERVICE: _____	DATE: _____
ENGINEER: _____	SUBMITTED BY: _____	DATE: _____
CONTRACTOR: _____	APPROVED BY: _____	DATE: _____
	ORDER NO.: _____	DATE: _____

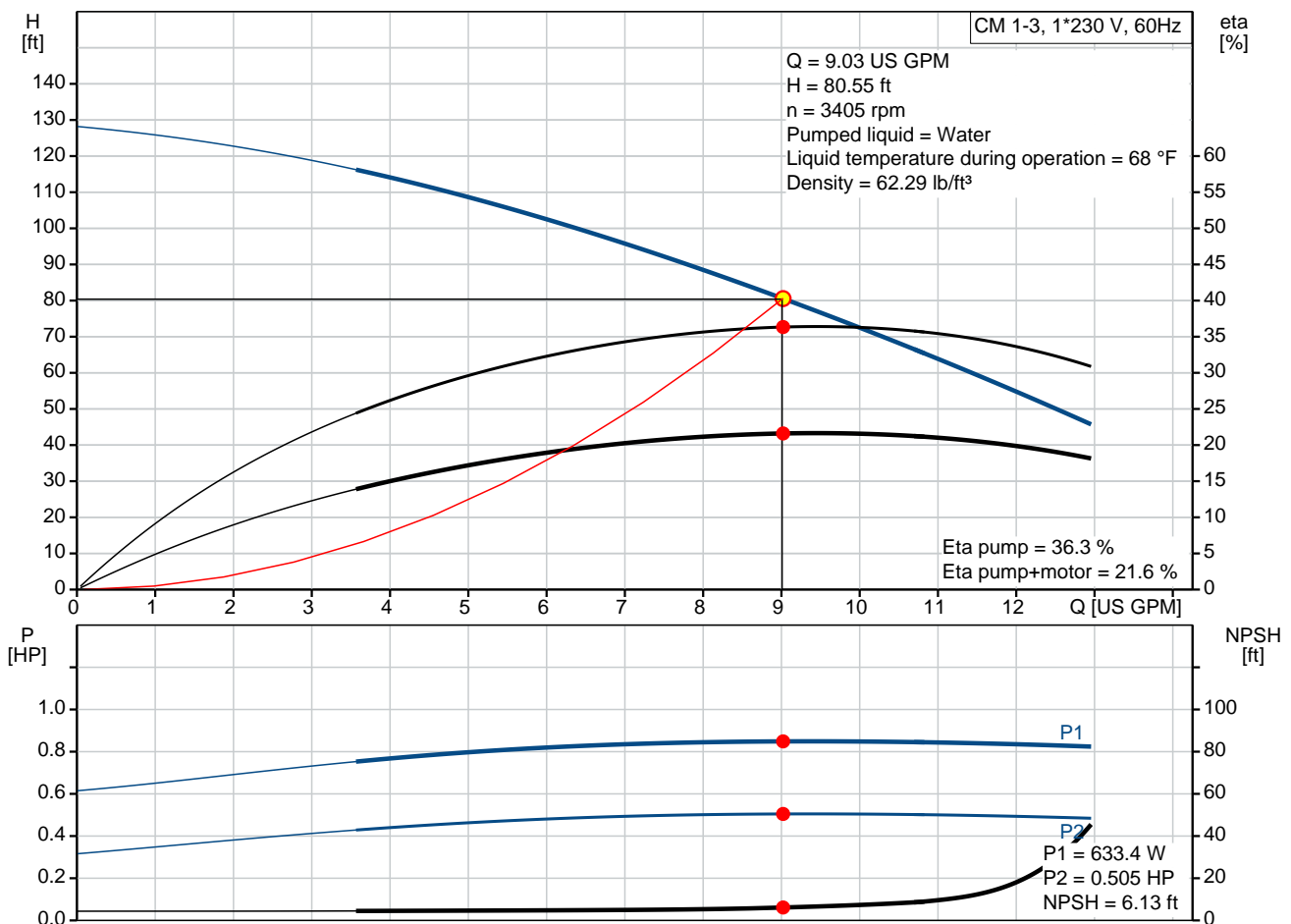
CM 1-3 A-S-G-V-AQQV B-A-A-N

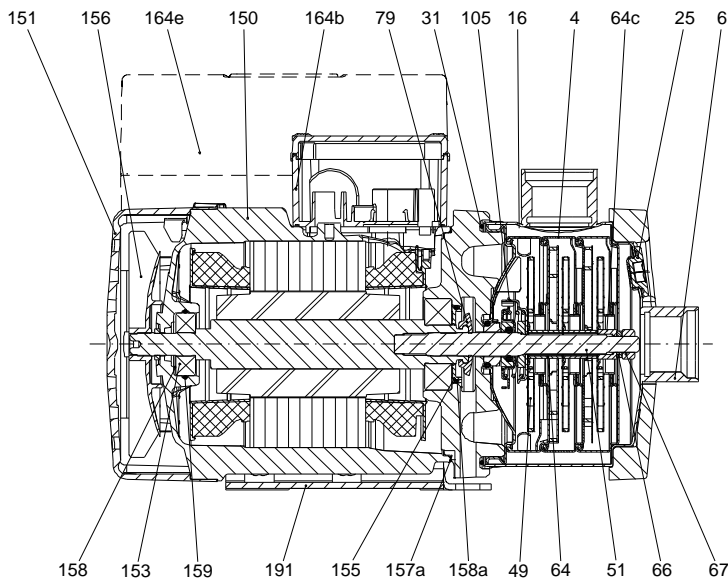
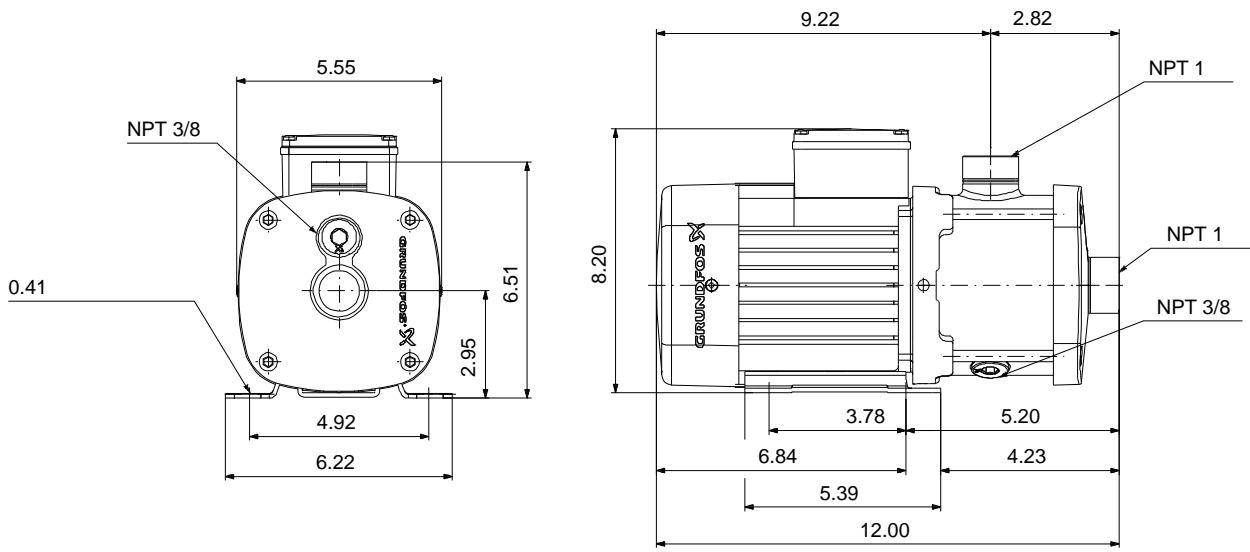


CM are reliable, quiet and compact horizontal end-suction pumps. The modular pump design makes it easy to make customised solutions. The CM pumps are available in cast iron and stainless steel

Note! Product picture may differ from actual product

Conditions of Service		Pump Data		Motor Data	
Flow:	9.03 US GPM	Max pressure at stated temp:	232 psi / 194 °F	Mains frequency:	60 Hz
Head:	80.55 ft	Liquid temperature range:	-4 .. 248 °F	Enclosure class:	IP55
Efficiency:	21.6 %	Maximum ambient temperature:	131 °F		
Liquid:	Water	Shaft seal:	AQQV		
Temperature:	68 °F	Product number:	97568191		
NPSH required:	6.13 ft				
Viscosity:	_____				
Specific Gravity:	1.000				





Materials:

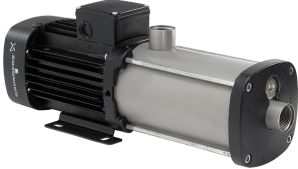
Pump housing: Stainless steel
AISI 316

Impeller: Stainless steel
AISI 316
EN 1.4401

Material code: G

Code for rubber: V

165x100

Qty.	Description
1	<p data-bbox="199 338 571 369">CM 1-3 A-S-G-V-AQQV B-A-A-N</p> <div data-bbox="236 439 534 607">  </div> <p data-bbox="592 629 1075 654" style="text-align: center;">Note! Product picture may differ from actual product</p> <p data-bbox="199 663 464 687">Product No.: 97568191</p> <p data-bbox="199 719 1453 797">Compact, reliable, horizontal, multistage, end-suction centrifugal pump with axial suction port and radial discharge port. Pump materials in contact with the liquid are in high-grade stainless steel. The mechanical shaft seal is a special designed, unbalanced O-ring seal. Pipework connection is via internal NPT pipe threads.</p> <p data-bbox="199 835 1094 862">The pump is fitted with a 1-phase, foot-mounted, fan-cooled asynchronous motor.</p> <p data-bbox="199 925 312 952">Controls:</p> <p data-bbox="199 954 638 981">Frequency converter: NONE</p> <p data-bbox="199 1014 287 1041">Liquid:</p> <p data-bbox="199 1043 691 1162">Pumped liquid: Water Liquid temperature range: -4 .. 248 °F Selected liquid temperature: 68 °F Density: 62.29 lb/ft³</p> <p data-bbox="199 1193 325 1220">Technical:</p> <p data-bbox="199 1223 820 1429">Pump speed on which pump data are based: 3480 rpm Actual calculated flow: 9.03 US GPM Rated flow: 8.98 US GPM Resulting head of the pump: 80.55 ft Rated head: 88.92 ft Code for shaft seal: AQQV Curve tolerance: ISO9906:2012 3B</p> <p data-bbox="199 1460 319 1487">Materials:</p> <p data-bbox="199 1489 727 1664">Pump housing: Stainless steel EN 1.4401 AISI 316 Impeller: Stainless steel EN 1.4401 AISI 316</p> <p data-bbox="199 1695 341 1722">Installation:</p> <p data-bbox="199 1724 748 1962">Range of ambient temperature: -4 .. 131 °F Maximum operating pressure: 232.06 psi Max pressure at stated temp: 232 psi / 194 °F 145 psi / 250 °F Type of connection: NPT(F) Size of inlet connection: 1 inch Size of outlet connection: 1 inch Outlet position: 12</p> <p data-bbox="199 1993 379 2020">Electrical data:</p> <p data-bbox="199 2022 638 2083">Motor standard: NEMA Frame size: 71B</p>



Company name:

Created by:

Phone:

Date:

01/04/2020

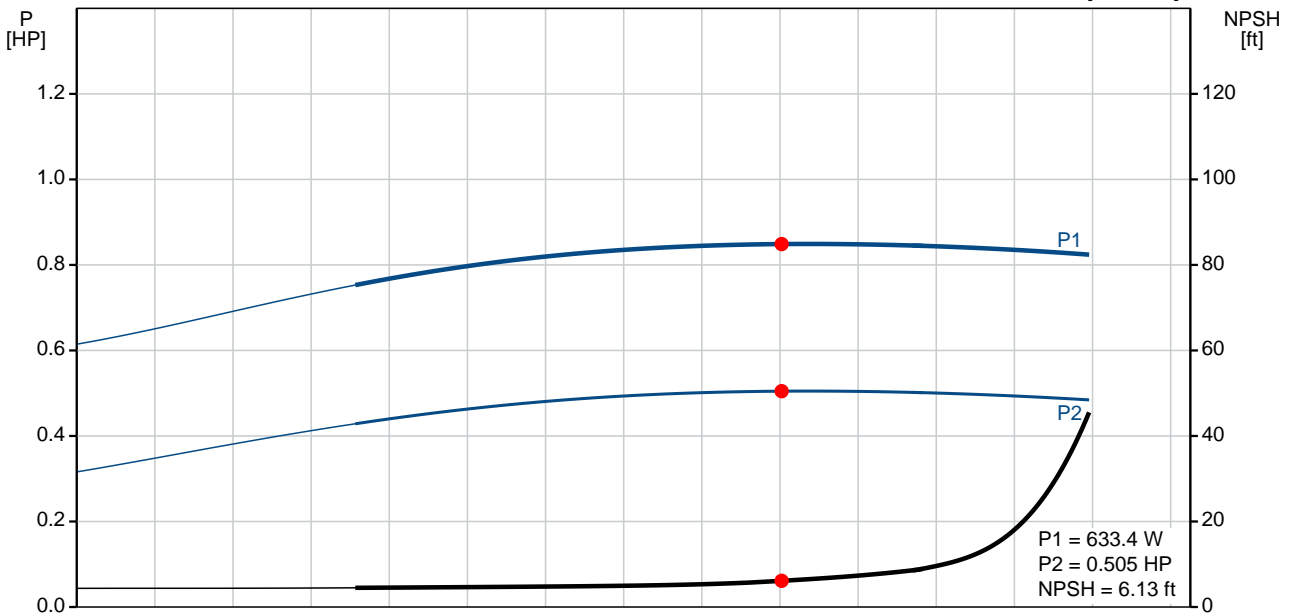
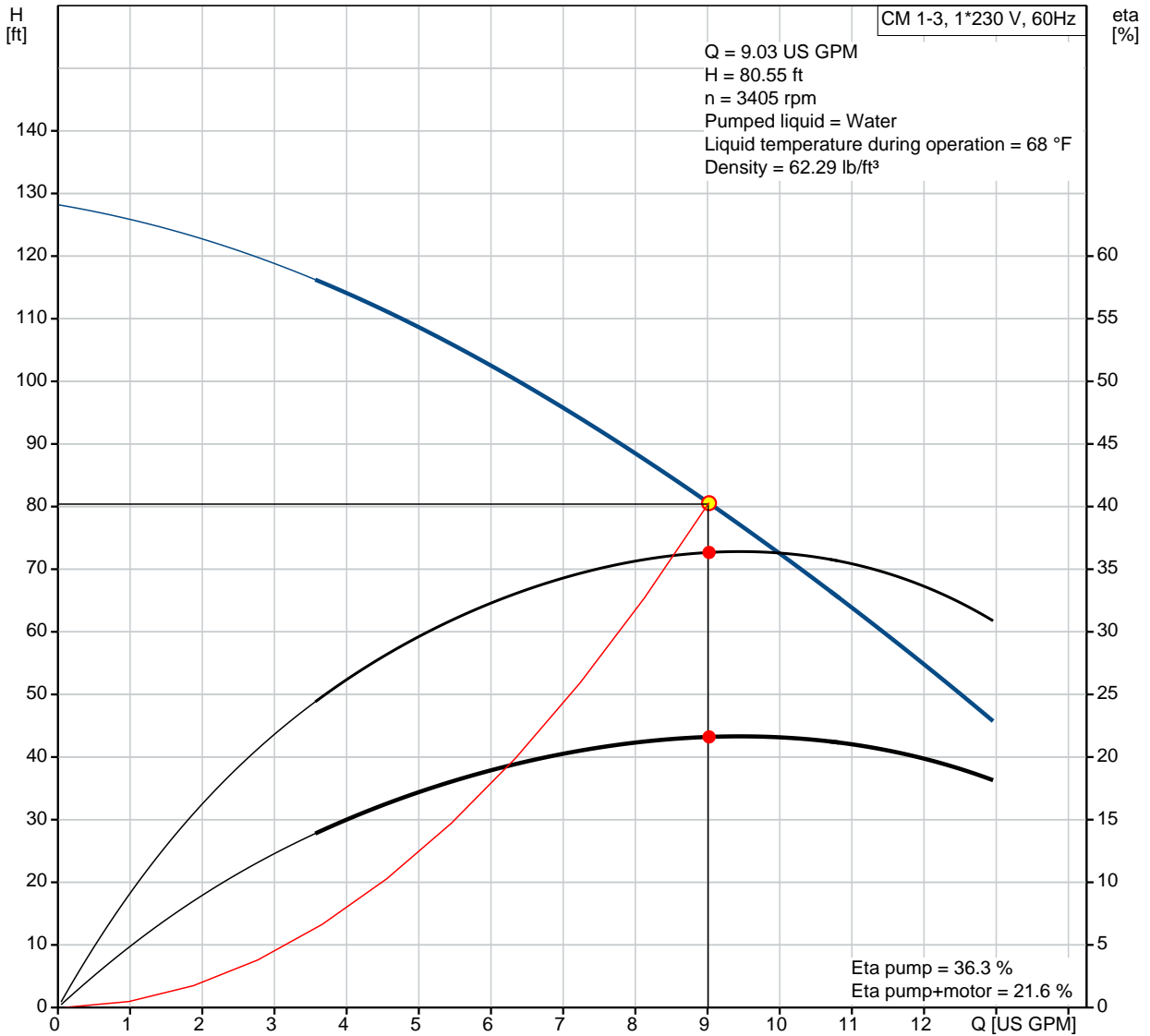
Qty.	Description
	Rated power - P2: 0.805 HP
	Mains frequency: 60 Hz
	Suitable for 50/60 Hz: N
	Phases: 1
	Rated voltage: 115/230 V
	Service factor: 1.00
	Rated current: 7.6/3.9 A
	Starting current: 260-260 %
	Rated speed: 3240 rpm
	Enclosure class (IEC 34-5): IP55
	Insulation class (IEC 85): F
	Built-in motor protection: NONE
	Others:
	Terminal box position: 12
	Minimum efficiency index, MEI $\eta_{\%}$: 0.68
	Net weight: 27.4 lb
	Gross weight: 32.9 lb
	Approvals: CE,CULUS,WRAS,ACS,TR,EAC,CURUS
	Country of origin: US
	Custom tariff no.: 8413.70.2040



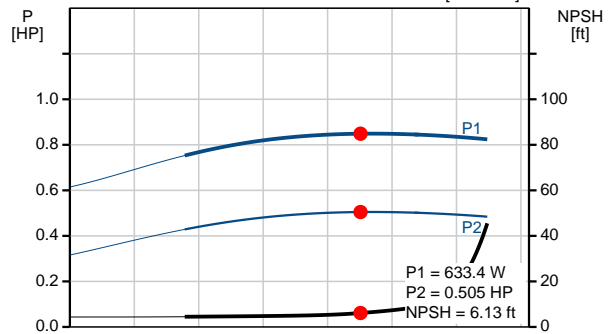
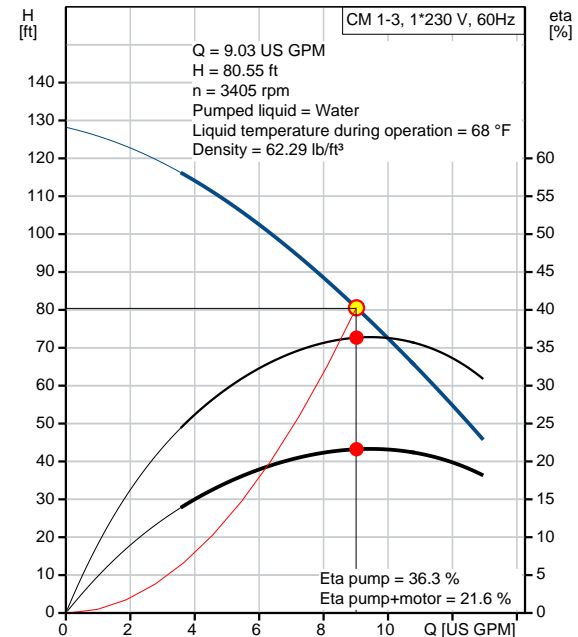
Company name:
Created by:
Phone:

Date: 01/04/2020

97568191 CM 1-3 A-S-G-V-AQQV B-A-A-N 60 Hz



Description	Value
General information:	
Product name:	CM 1-3 A-S-G-V-AQQV B-A-A-N
Product No:	97568191
EAN number:	5700318667524 5700318667524
Technical:	
Pump speed on which pump data are based:	3480 rpm
Actual calculated flow:	9.03 US GPM
Rated flow:	8.98 US GPM
Resulting head of the pump:	80.55 ft
Rated head:	88.92 ft
Impellers:	3
Code for shaft seal:	AQQV
Curve tolerance:	ISO9906:2012 3B
Pump version:	A
Model:	A
Materials:	
Pump housing:	Stainless steel EN 1.4401 AISI 316
Impeller:	Stainless steel EN 1.4401 AISI 316
Material code:	G
Code for rubber:	V
Installation:	
Range of ambient temperature:	-4 .. 131 °F
Maximum operating pressure:	232.06 psi
Max pressure at stated temp:	232 psi / 194 °F 145 psi / 250 °F
Type of connection:	NPT(F)
Size of inlet connection:	1 inch
Size of outlet connection:	1 inch
Outlet position:	12
Connect code:	S
Liquid:	
Pumped liquid:	Water
Liquid temperature range:	-4 .. 248 °F
Selected liquid temperature:	68 °F
Density:	62.29 lb/ft ³
Electrical data:	
Motor standard:	NEMA
Frame size:	71B
Rated power - P2:	0.805 HP
Mains frequency:	60 Hz
Suitable for 50/60 Hz:	N
Phases:	1
Rated voltage:	115/230 V
Service factor:	1.00
Rated current:	7.6/3.9 A
Starting current:	260-260 %
Rated speed:	3240 rpm
Enclosure class (IEC 34-5):	IP55
Insulation class (IEC 85):	F
Built-in motor protection:	NONE
Controls:	
Frequency converter:	NONE





Company name:

Created by:

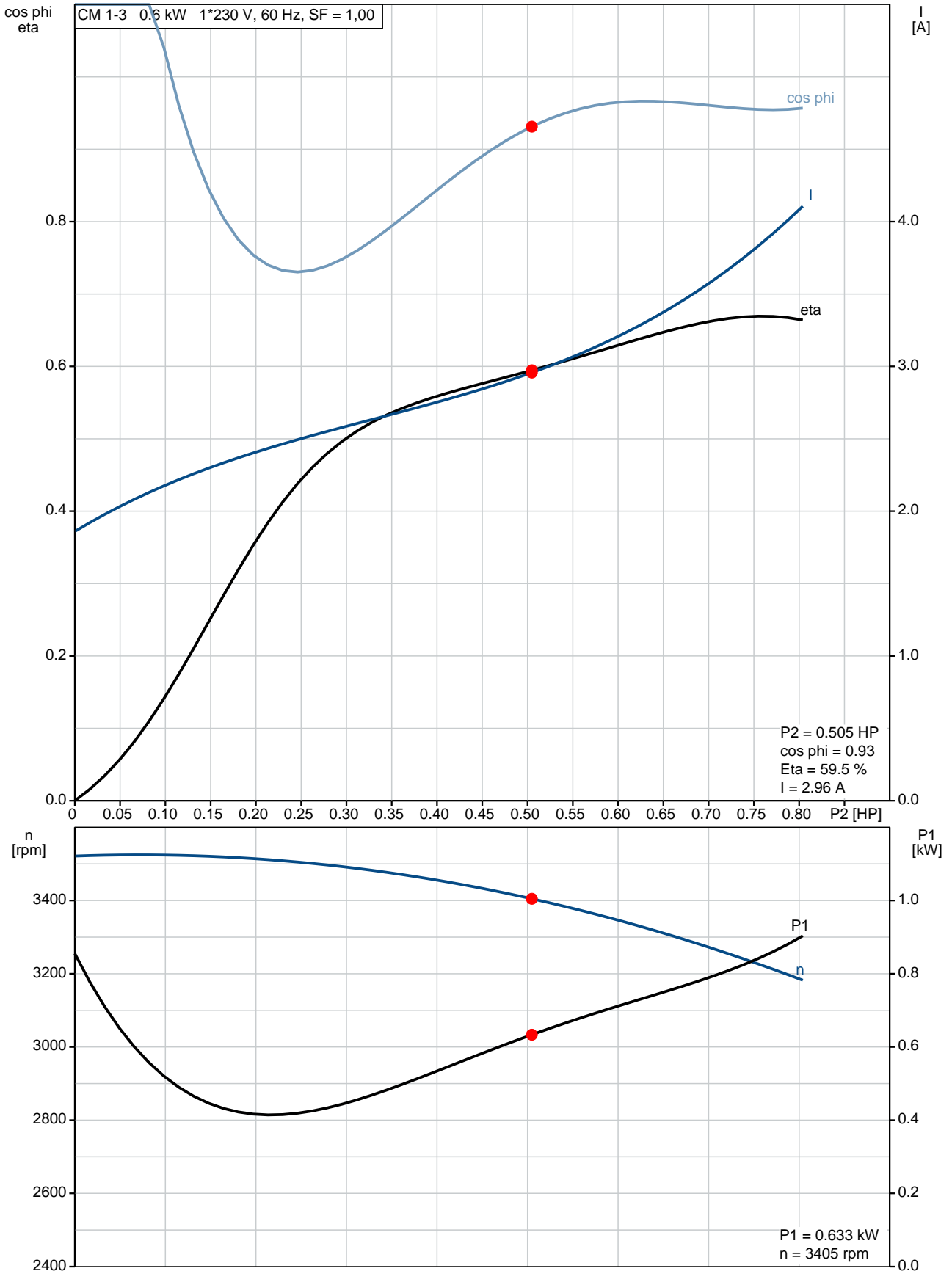
Phone:

Date:

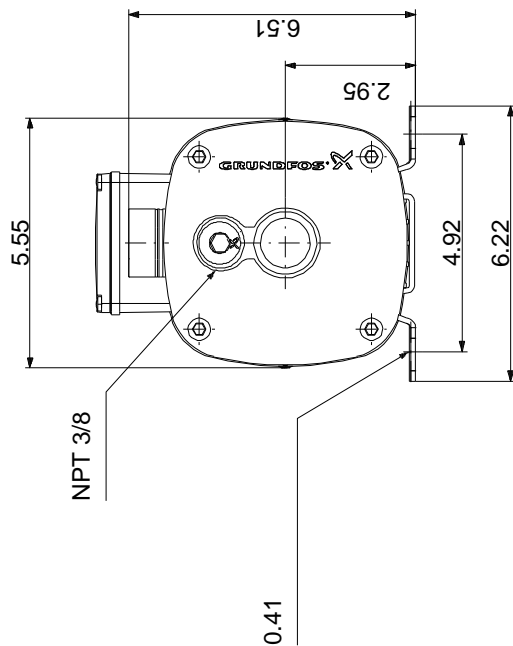
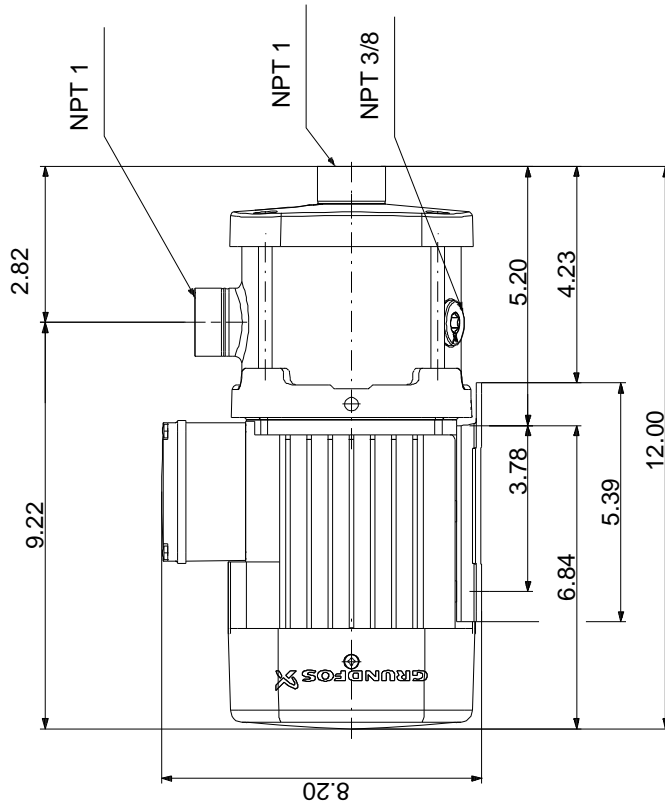
01/04/2020

Description	Value
Others:	
Terminal box position:	12
Minimum efficiency index, MEI â%¥:	0.68
Net weight:	27.4 lb
Gross weight:	32.9 lb
Approvals:	CE,CULUS,WRAS,ACS,TR,EA C,CURUS
Country of origin:	US
Custom tariff no.:	8413.70.2040

97568191 CM 1-3 A-S-G-V-AQQV B-A-A-N 60 Hz



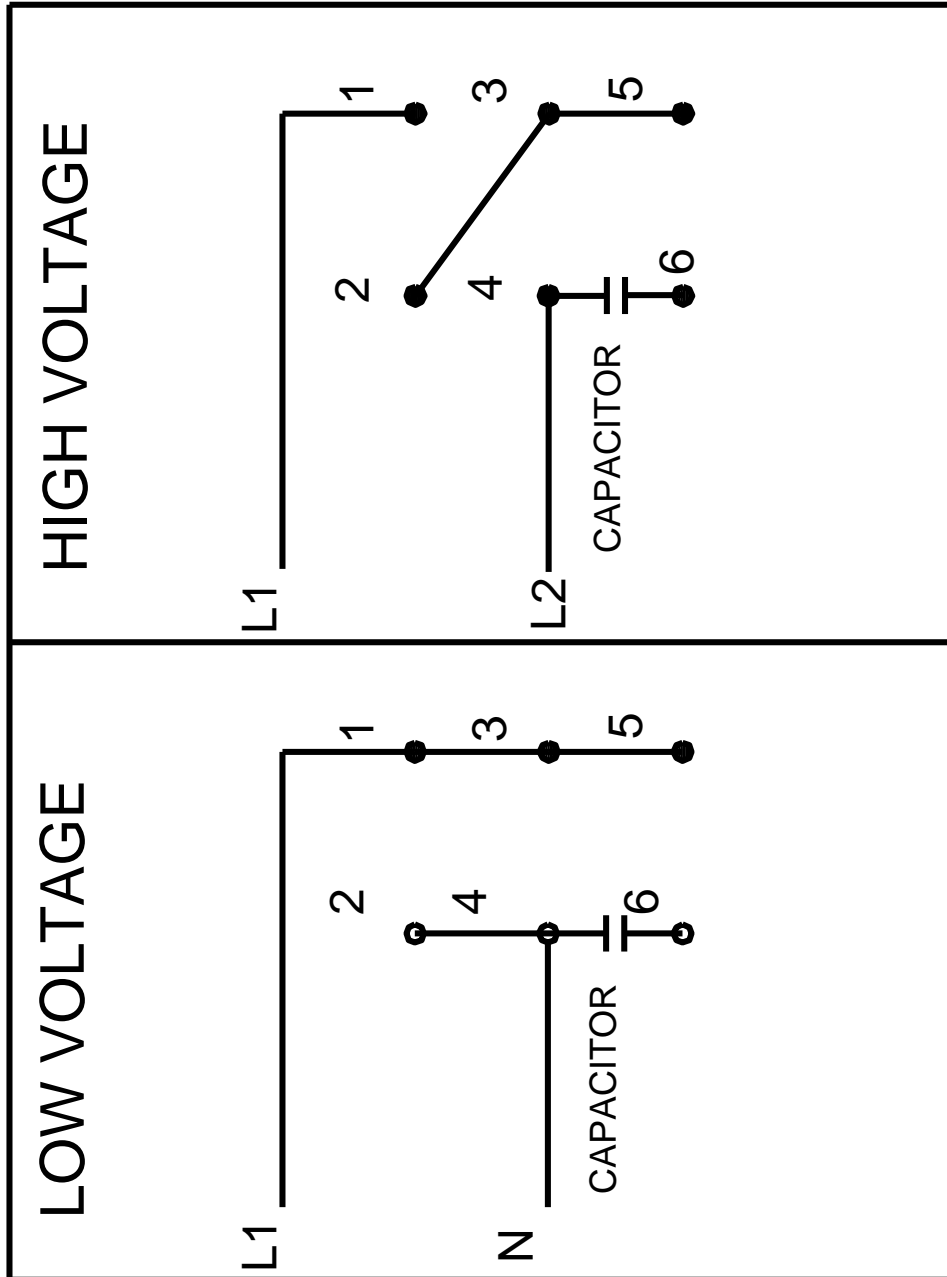
97568191 CM 1-3 A-S-G-V-AQQV B-A-A-N 60 Hz



Note! All units are in [in] unless others are stated.
 Disclaimer: This simplified dimensional drawing does not show all details.

97568191 CM 1-3 A-S-G-V-AQQV B-A-A-N 60 Hz

SUITABLE FOR FIELD CONNECTION



Note! All units are in [in] unless others are stated.