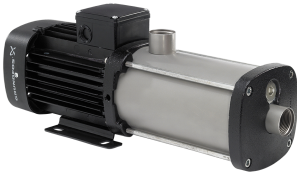


PROJECT: _____	UNIT TAG: _____	QUANTITY: _____
REPRESENTATIVE: _____	TYPE OF SERVICE: _____	DATE: _____
ENGINEER: _____	SUBMITTED BY: _____	DATE: _____
CONTRACTOR: _____	APPROVED BY: _____	DATE: _____
	ORDER NO.: _____	DATE: _____

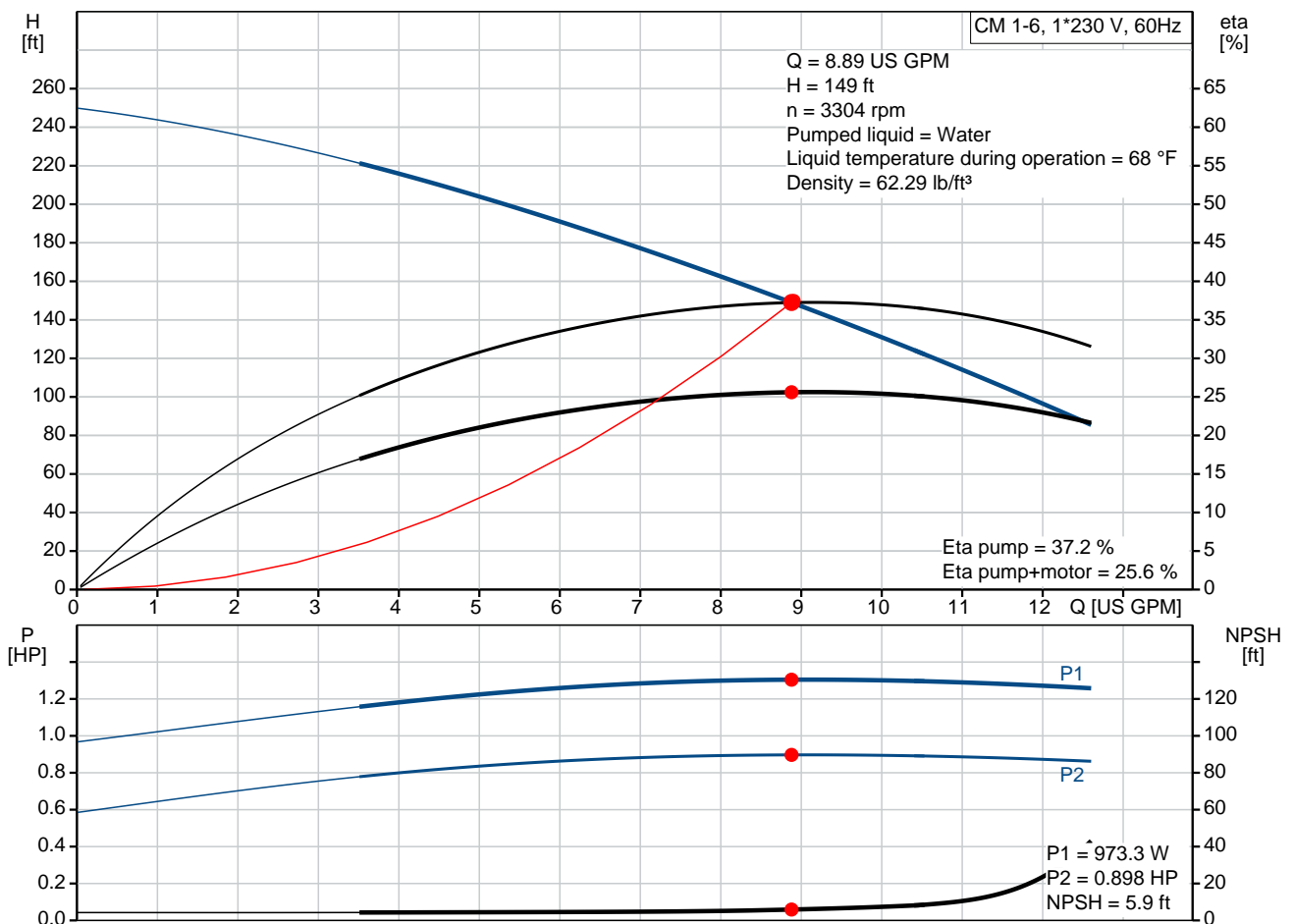
## CM 1-6 A-S-G-V-AQQV B-A-A-N

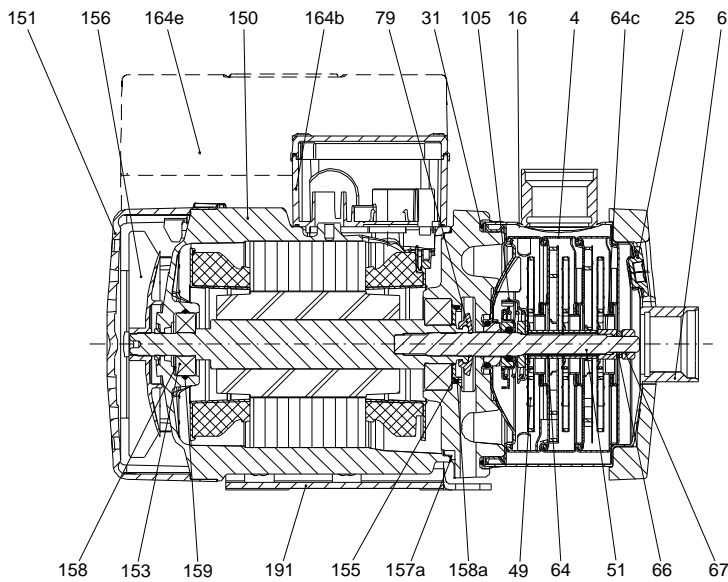
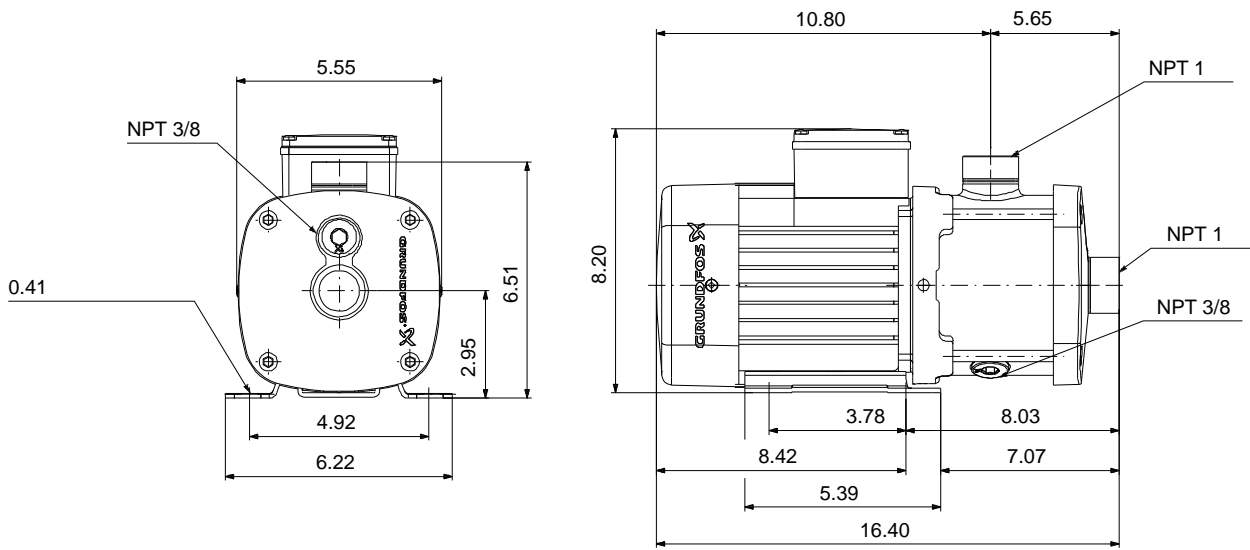


CM are reliable, quiet and compact horizontal end-suction pumps. The modular pump design makes it easy to make customised solutions. The CM pumps are available in cast iron and stainless steel

Note! Product picture may differ from actual product

Conditions of Service		Pump Data		Motor Data	
Flow:	8.89 US GPM	Max pressure at stated temp:	232 psi / 194 °F	Mains frequency:	60 Hz
Head:	149 ft	Liquid temperature range:	-4 .. 248 °F	Enclosure class:	IP55
Efficiency:	25.6 %	Maximum ambient temperature:	131 °F		
Liquid:	Water	Shaft seal:	AQQV		
Temperature:	68 °F	Product number:	97568193		
NPSH required:	5.9 ft				
Viscosity:	_____				
Specific Gravity:	1.000				





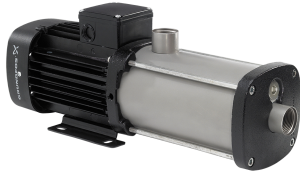
**Materials:**

- Pump housing: Stainless steel  
AISI 316
- Impeller: Stainless steel  
AISI 316  
EN 1.4401
- Material code: G
- Code for rubber: V

165x100

**Qty. Description**

1 CM 1-6 A-S-G-V-AQQV B-A-A-N



Note! Product picture may differ from actual product

Product No.: [97568193](#)

Compact, reliable, horizontal, multistage, end-suction centrifugal pump with axial suction port and radial discharge port. Pump materials in contact with the liquid are in high-grade stainless steel. The mechanical shaft seal is a special designed, unbalanced O-ring seal. Pipework connection is via internal NPT pipe threads.

The pump is fitted with a 1-phase, foot-mounted, fan-cooled asynchronous motor.

**Controls:**

Frequency converter: NONE

**Liquid:**

Pumped liquid: Water  
 Liquid temperature range: -4 .. 248 °F  
 Selected liquid temperature: 68 °F  
 Density: 62.29 lb/ft<sup>3</sup>

**Technical:**

Pump speed on which pump data are based: 3480 rpm  
 Actual calculated flow: 8.89 US GPM  
 Rated flow: 8.98 US GPM  
 Resulting head of the pump: 149 ft  
 Rated head: 178.4 ft  
 Code for shaft seal: AQQV  
 Curve tolerance: ISO9906:2012 3B

**Materials:**

Pump housing: Stainless steel  
 EN 1.4401  
 AISI 316  
 Impeller: Stainless steel  
 EN 1.4401  
 AISI 316

**Installation:**

Range of ambient temperature: -4 .. 131 °F  
 Maximum operating pressure: 232.06 psi  
 Max pressure at stated temp: 232 psi / 194 °F  
 145 psi / 250 °F  
 Type of connection: NPT(F)  
 Size of inlet connection: 1 inch  
 Size of outlet connection: 1 inch  
 Outlet position: 12

**Electrical data:**

Motor standard: NEMA  
 Frame size: 80A



Company name:

Created by:

Phone:

Date:

01/04/2020

Qty.	Description
	Rated power - P2: 1.05 HP
	Mains frequency: 60 Hz
	Suitable for 50/60 Hz: N
	Phases: 1
	Rated voltage: 115/230 V
	Service factor: 1.00
	Rated current: 10.6/5.4 A
	Starting current: 300-300 %
	Rated speed: 3240 rpm
	Enclosure class (IEC 34-5): IP55
	Insulation class (IEC 85): F
	Built-in motor protection: NONE
	<b>Others:</b>
	Terminal box position: 12
	Minimum efficiency index, MEI $\eta_{\%}$ : 0.68
	Net weight: 33.3 lb
	Gross weight: 38.8 lb
	Approvals: CE,CULUS,WRAS,ACS,TR,EAC,CURUS
	Country of origin: US
	Custom tariff no.: 8413.70.2040



Company name:

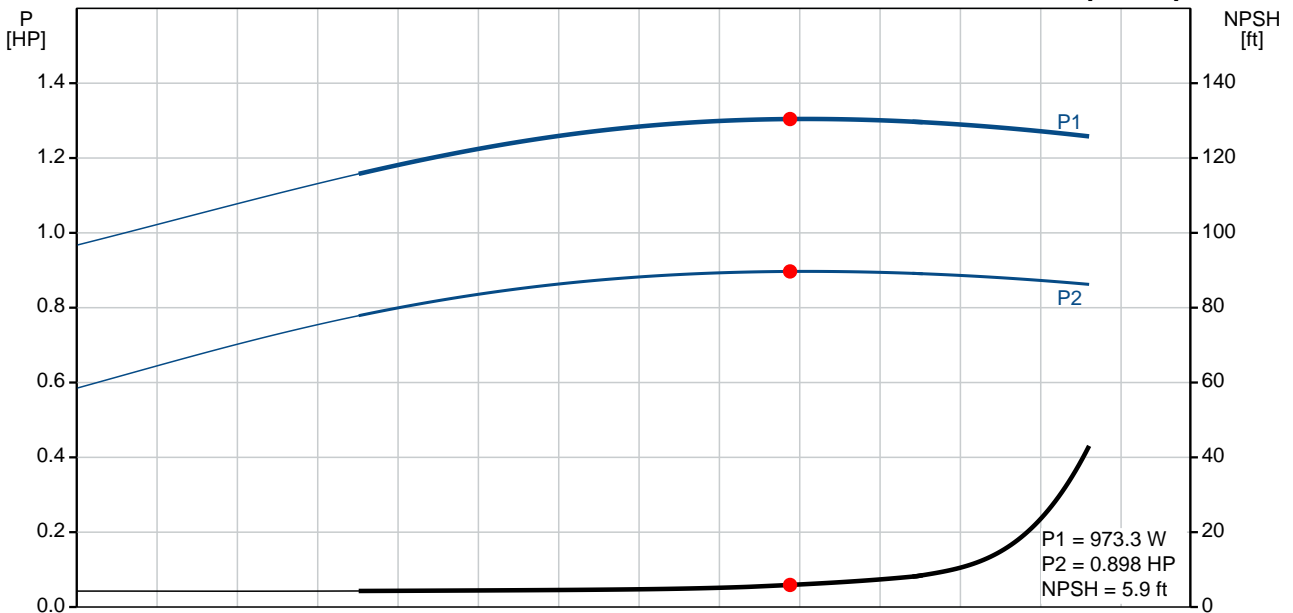
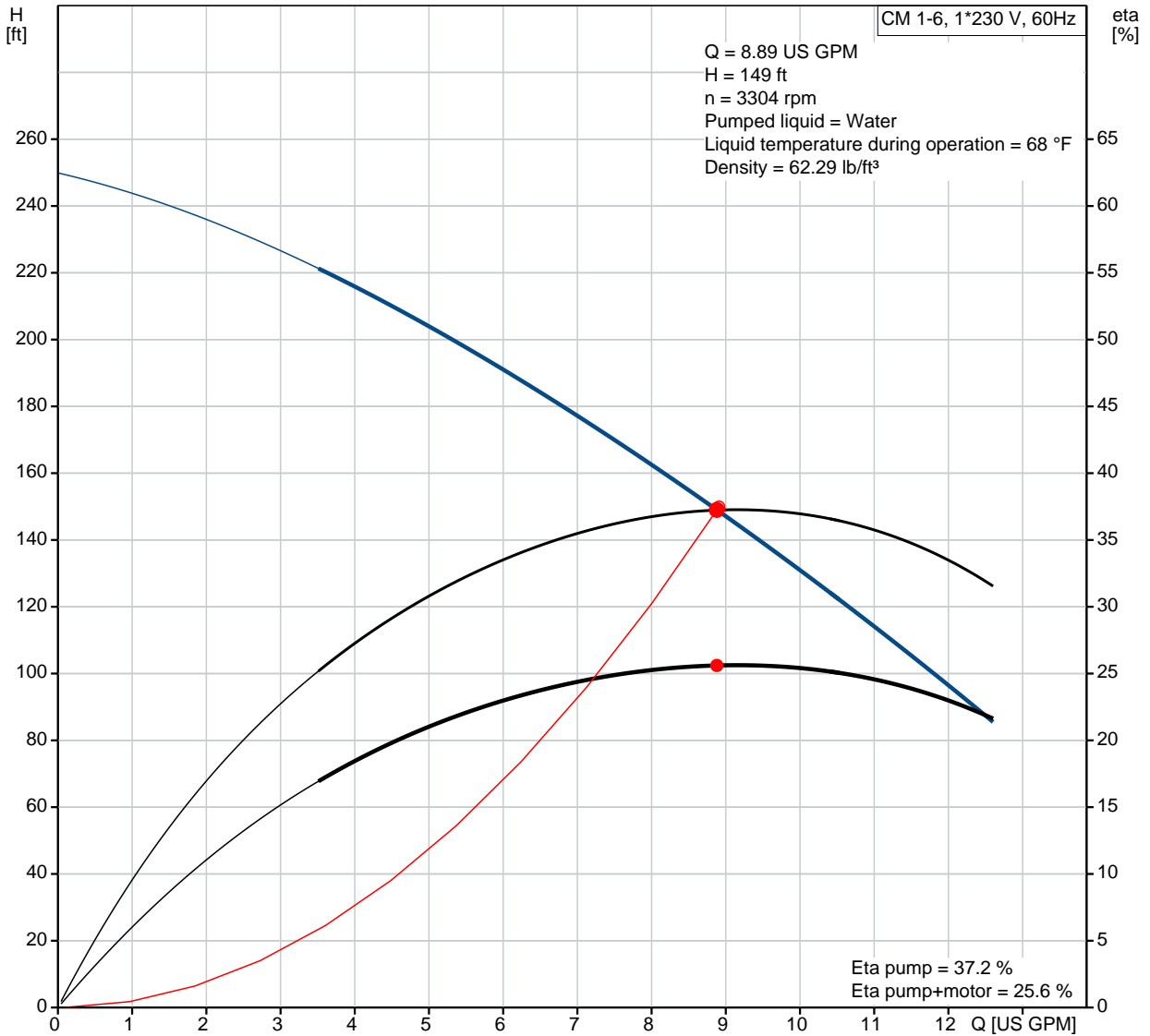
Created by:

Phone:

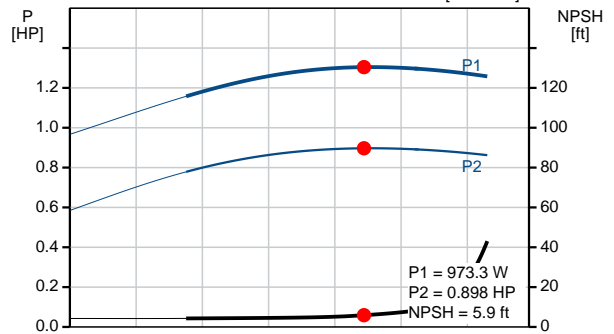
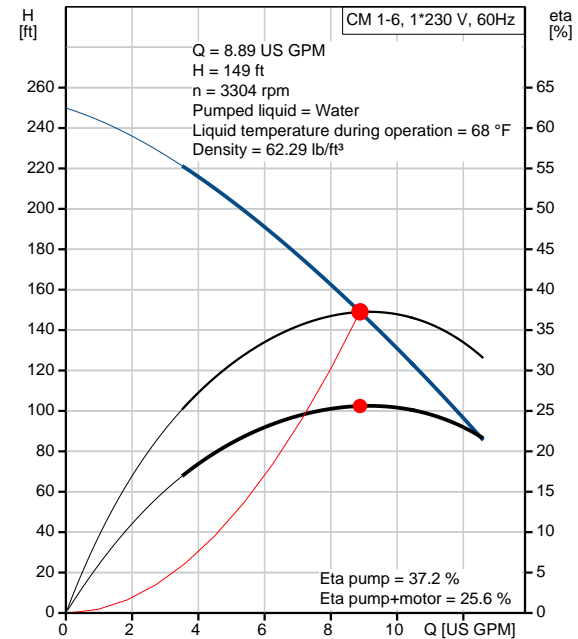
Date:

01/04/2020

### 97568193 CM 1-6 A-S-G-V-AQQV B-A-A-N 60 Hz



Description	Value
<b>General information:</b>	
Product name:	CM 1-6 A-S-G-V-AQQV B-A-A-N
Product No:	97568193
EAN number:	5700318667548 5700318667548
<b>Technical:</b>	
Pump speed on which pump data are based:	3480 rpm
Actual calculated flow:	8.89 US GPM
Rated flow:	8.98 US GPM
Resulting head of the pump:	149 ft
Rated head:	178.4 ft
Impellers:	6
Code for shaft seal:	AQQV
Curve tolerance:	ISO9906:2012 3B
Pump version:	A
Model:	A
<b>Materials:</b>	
Pump housing:	Stainless steel EN 1.4401 AISI 316
Impeller:	Stainless steel EN 1.4401 AISI 316
Material code:	G
Code for rubber:	V
<b>Installation:</b>	
Range of ambient temperature:	-4 .. 131 °F
Maximum operating pressure:	232.06 psi
Max pressure at stated temp:	232 psi / 194 °F 145 psi / 250 °F
Type of connection:	NPT(F)
Size of inlet connection:	1 inch
Size of outlet connection:	1 inch
Outlet position:	12
Connect code:	S
<b>Liquid:</b>	
Pumped liquid:	Water
Liquid temperature range:	-4 .. 248 °F
Selected liquid temperature:	68 °F
Density:	62.29 lb/ft <sup>3</sup>
<b>Electrical data:</b>	
Motor standard:	NEMA
Frame size:	80A
Rated power - P2:	1.05 HP
Mains frequency:	60 Hz
Suitable for 50/60 Hz:	N
Phases:	1
Rated voltage:	115/230 V
Service factor:	1.00
Rated current:	10.6/5.4 A
Starting current:	300-300 %
Rated speed:	3240 rpm
Enclosure class (IEC 34-5):	IP55
Insulation class (IEC 85):	F
Built-in motor protection:	NONE
<b>Controls:</b>	
Frequency converter:	NONE





Company name:

Created by:

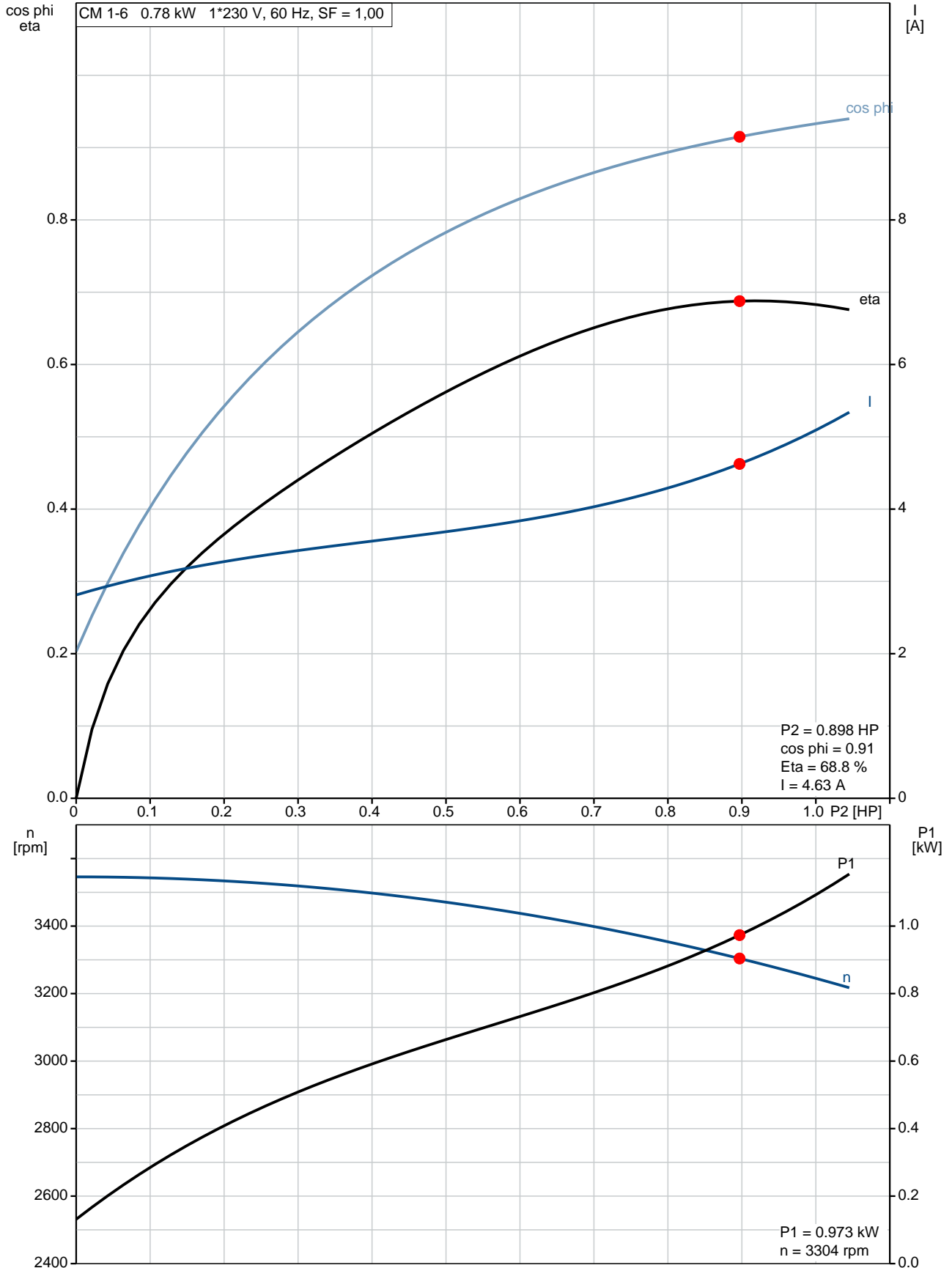
Phone:

Date:

01/04/2020

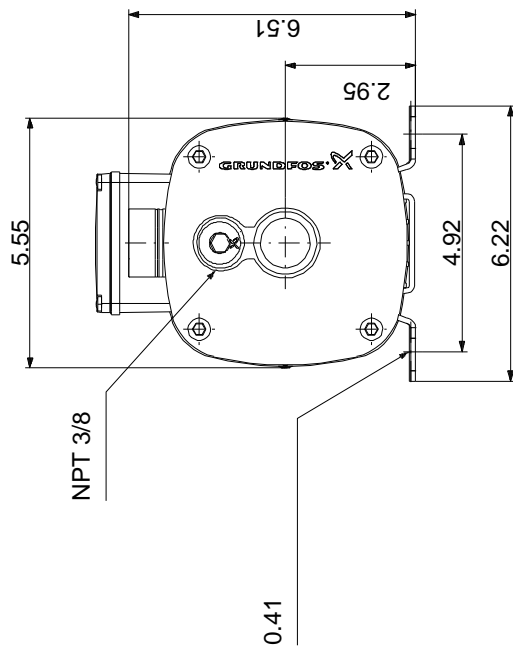
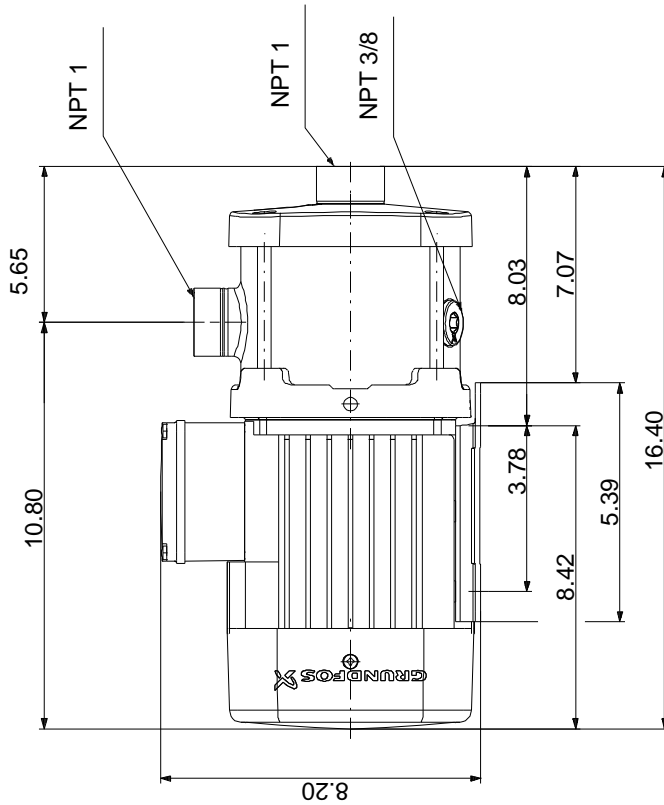
Description	Value
<b>Others:</b>	
Terminal box position:	12
Minimum efficiency index, MEI â%¥:	0.68
Net weight:	33.3 lb
Gross weight:	38.8 lb
Approvals:	CE,CULUS,WRAS,ACS,TR,EA C,CURUS
Country of origin:	US
Custom tariff no.:	8413.70.2040

## 97568193 CM 1-6 A-S-G-V-AQQV B-A-A-N 60 Hz





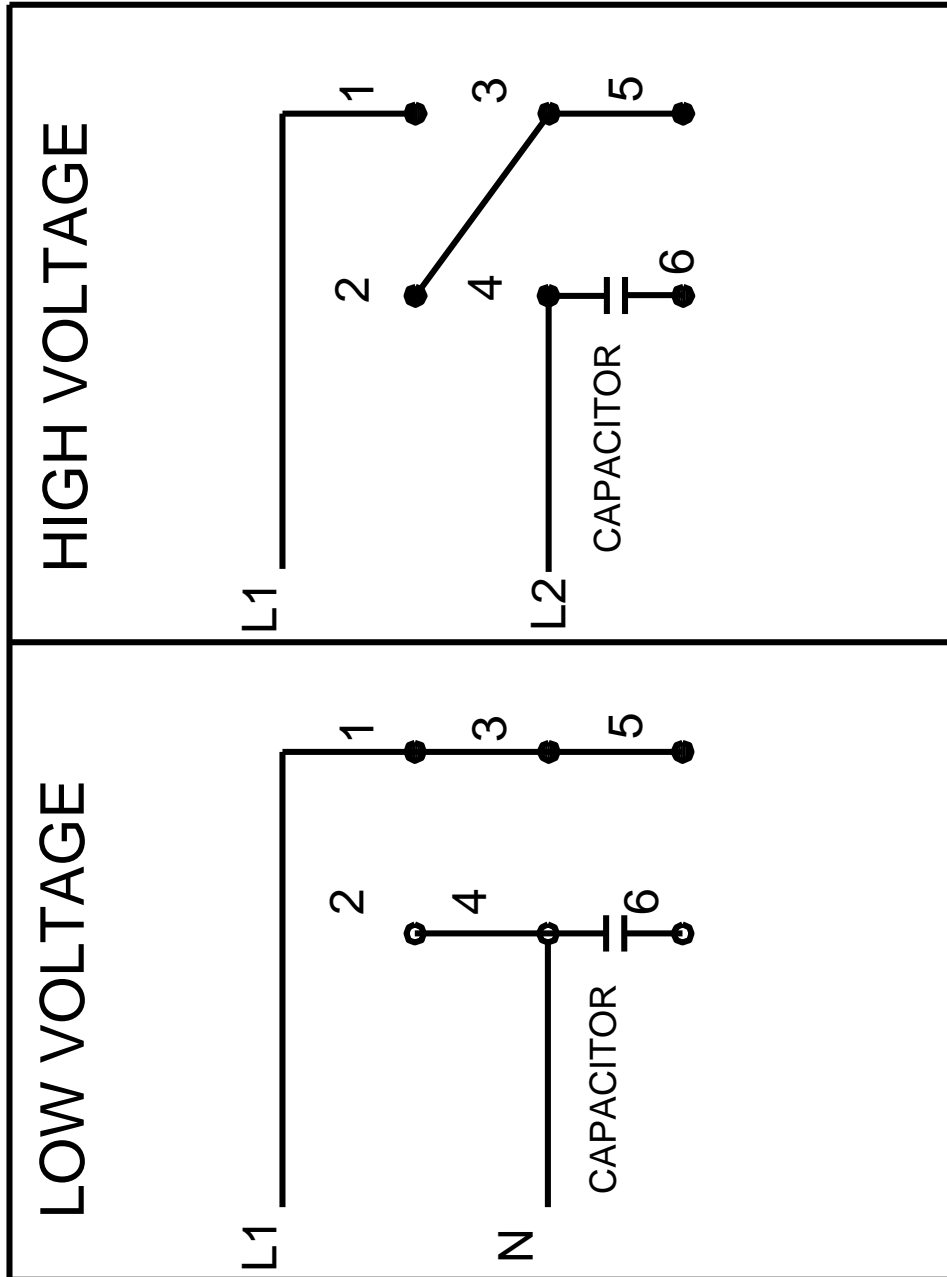
## 97568193 CM 1-6 A-S-G-V-AQQV B-A-A-N 60 Hz



Note! All units are in [in] unless others are stated.  
Disclaimer: This simplified dimensional drawing does not show all details.

97568193 CM 1-6 A-S-G-V-AQQV B-A-A-N 60 Hz

## SUITABLE FOR FIELD CONNECTION



Note! All units are in [in] unless others are stated.