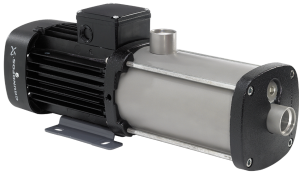


PROJECT: _____	UNIT TAG: _____	QUANTITY: _____
REPRESENTATIVE: _____	TYPE OF SERVICE: _____	DATE: _____
ENGINEER: _____	SUBMITTED BY: _____	DATE: _____
CONTRACTOR: _____	APPROVED BY: _____	DATE: _____
	ORDER NO.: _____	DATE: _____

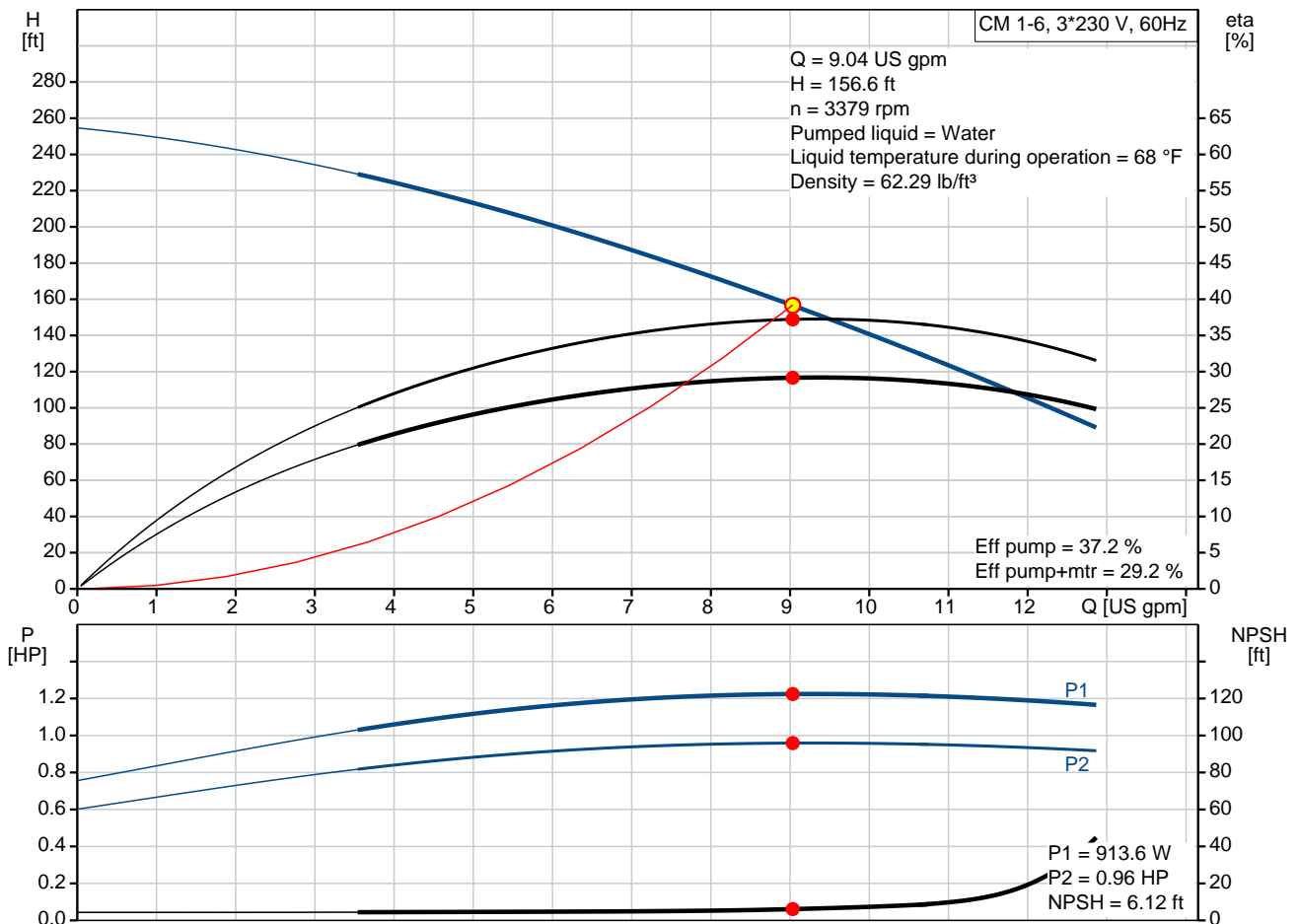
CM 1-6 A-S-G-V-AQQV E-A-A-N

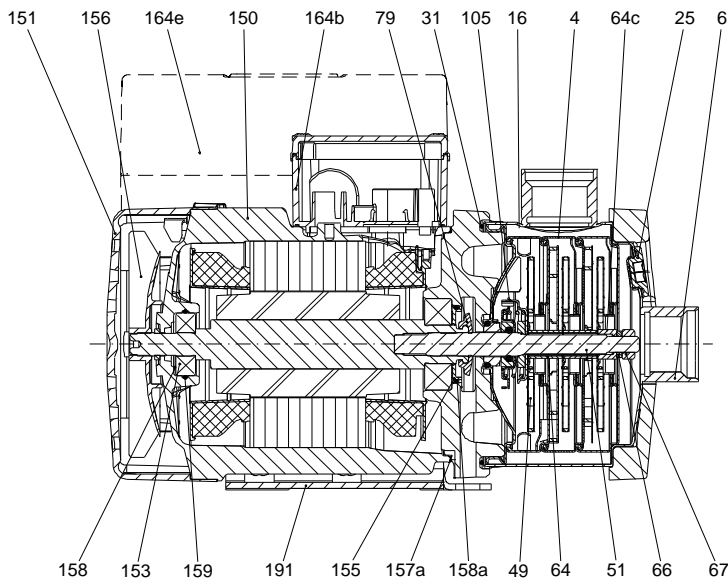
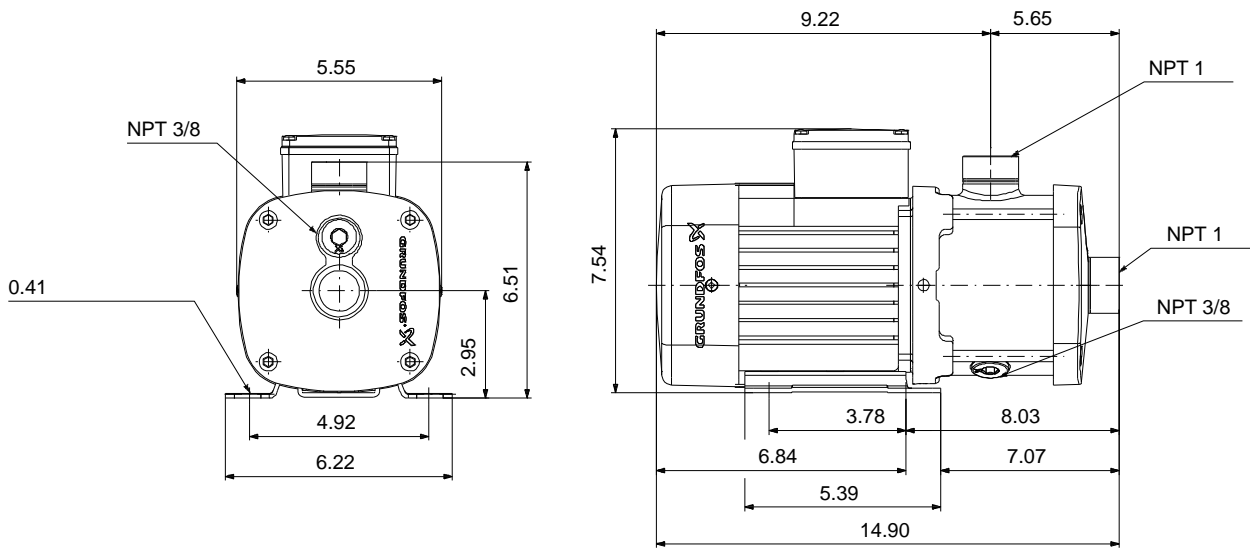


CM are reliable, quiet and compact horizontal end-suction pumps. The modular pump design makes it easy to make customised solutions. The CM pumps are available in cast iron and stainless steel

Product photo could vary from the actual product

Conditions of Service		Pump Data		Motor Data	
Flow:	9.04 US gpm	Max pressure at stated temperature:	232 psi / 194 °F	Main frequency:	60 Hz
Head:	156.6 ft	Liquid temperature range:	-4 .. 248 °F	Enclosure class:	IP55
Efficiency:	29.2 %	Maximum ambient temperature:	131 °F		
Liquid:	Water	Shaft seal:	AQQV		
Temperature:	68 °F	Product number:	97568249		
NPSH required:	6.12 ft				
Viscosity:	_____				
Specific Gravity:	1.000				





Materials:

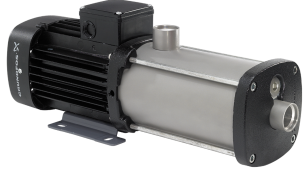
Pump housing: Stainless steel
AISI 316

Impeller: Stainless steel
AISI 316
EN 1.4401

Material code: G

Code for rubber: V

165x100

Count	Description
1	<p data-bbox="225 338 595 367">CM 1-6 A-S-G-V-AQQV E-A-A-N</p> <div data-bbox="256 439 560 607">  </div> <p data-bbox="619 629 1074 656">Product photo could vary from the actual product</p> <p data-bbox="225 663 491 689">Product No.: 97568249</p> <p data-bbox="225 719 1449 797">Compact, reliable, horizontal, multistage, end-suction centrifugal pump with axial suction port and radial discharge port. Pump materials in contact with the liquid are in high-grade stainless steel. The mechanical shaft seal is a special designed, unbalanced O-ring seal. Pipework connection is via internal NPT pipe threads.</p> <p data-bbox="225 804 1118 831">The pump is fitted with a 3-phase, foot-mounted, fan-cooled asynchronous motor.</p> <p data-bbox="225 869 336 891">Controls:</p> <p data-bbox="225 898 662 925">Frequency converter: NONE</p> <p data-bbox="225 954 309 976">Liquid:</p> <p data-bbox="225 983 662 1010">Pumped liquid: Water</p> <p data-bbox="225 1016 715 1043">Liquid temperature range: -4 .. 248 °F</p> <p data-bbox="225 1050 651 1077">Selected liquid temperature: 68 °F</p> <p data-bbox="225 1084 708 1111">Density: 62.29 lb/ft³</p> <p data-bbox="225 1140 347 1162">Technical:</p> <p data-bbox="225 1169 847 1196">Pump speed on which pump data are based: 3480 rpm</p> <p data-bbox="225 1202 735 1229">Actual calculated flow: 9.04 US gpm</p> <p data-bbox="225 1236 735 1263">Rated flow: 8.98 US gpm</p> <p data-bbox="225 1270 676 1296">Resulting head of the pump: 156.6 ft</p> <p data-bbox="225 1303 676 1330">Rated head: 178.4 ft</p> <p data-bbox="225 1337 662 1364">Code for shaft seal: AQQV</p> <p data-bbox="225 1370 788 1397">Curve tolerance: ISO9906:2012 3B</p> <p data-bbox="225 1426 341 1449">Materials:</p> <p data-bbox="225 1456 751 1518">Pump housing: Stainless steel EN 1.4401 AISI 316</p> <p data-bbox="225 1525 751 1610">Impeller: Stainless steel EN 1.4401 AISI 316</p> <p data-bbox="225 1639 363 1662">Installation:</p> <p data-bbox="225 1668 715 1695">Range of ambient temperature: -4 .. 131 °F</p> <p data-bbox="225 1702 703 1729">Maximum operating pressure: 232.06 psi</p> <p data-bbox="225 1736 828 1789">Max pressure at stated temperature: 232 psi / 194 °F 145 psi / 250 °F</p> <p data-bbox="225 1796 671 1823">Type of connection: NPT(F)</p> <p data-bbox="225 1830 657 1856">Size of suction port: 1 inch</p> <p data-bbox="225 1863 657 1890">Size of outlet port: 1 inch</p> <p data-bbox="225 1897 619 1924">Outlet position: 12</p> <p data-bbox="225 1953 400 1975">Electrical data:</p> <p data-bbox="225 1982 662 2009">Motor standard: NEMA</p> <p data-bbox="225 2016 635 2042">Frame size: 71B</p> <p data-bbox="225 2049 692 2076">Rated power - P2: 0.992 HP</p> <p data-bbox="225 2083 657 2110">Main frequency: 60 Hz</p>



Company name:

Created by:

Phone:

Date:

4/1/2020

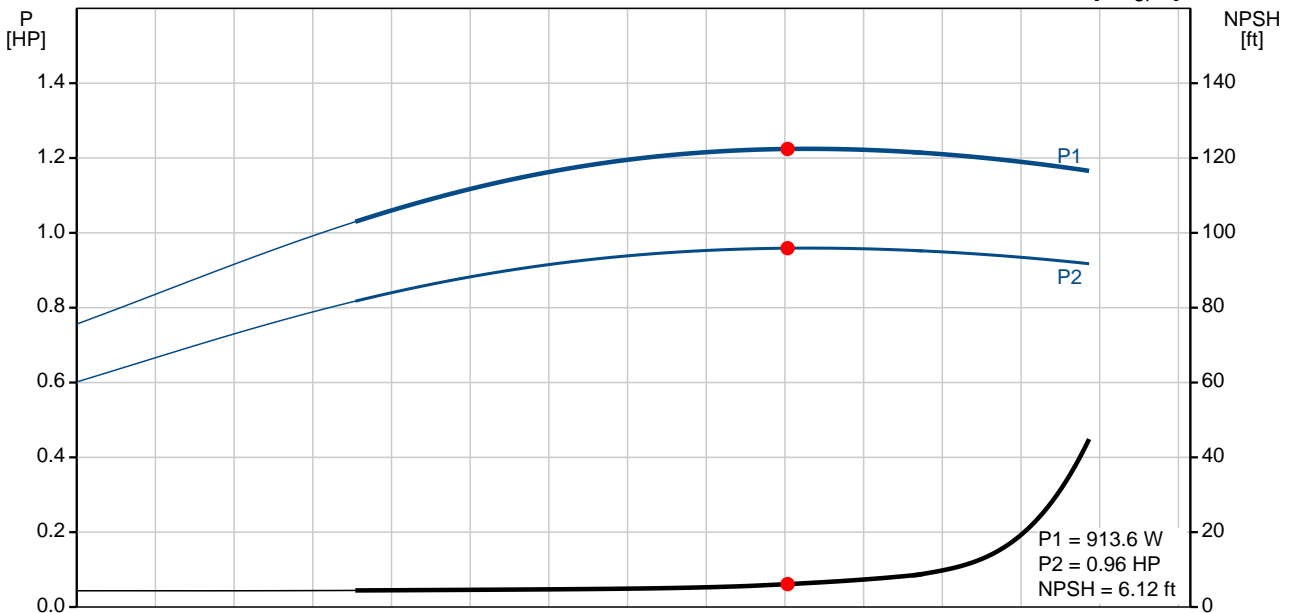
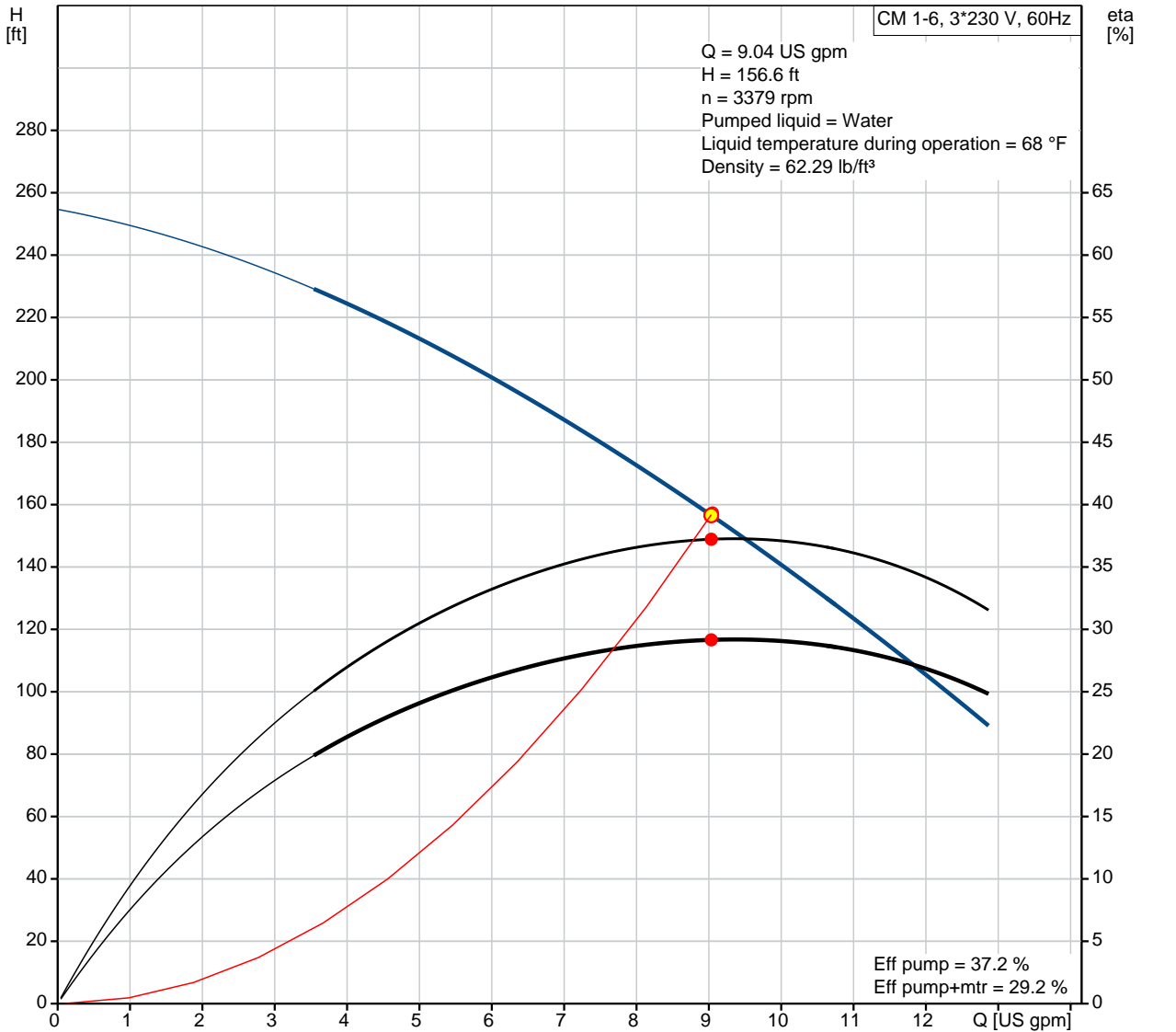
Count	Description
	Suitable for 50/60 Hz: N
	Phase: 3
	Rated voltage: 208-230YY/440-480Y V
	Service factor: 1.00
	Rated current: 3,4-3,6/1,7-1,8 A
	Rated speed: 3220-3370 rpm
	Enclosure class (IEC 34-5): IP55
	Insulation class (IEC 85): F
	Built-in motor protection: NONE
	Others:
	Terminal box position: 12
	Minimum efficiency index, MEI $\eta_{\%}$: 0.68
	Net weight: 30.2 lb
	Gross weight: 35.7 lb
	Approvals: CE,CULUS,WRAS,ACS,TR,EAC,CURUS
	Country of origin: US
	Custom tariff no.: 8413.70.2040



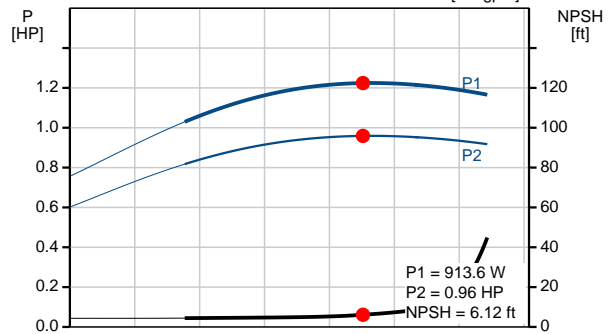
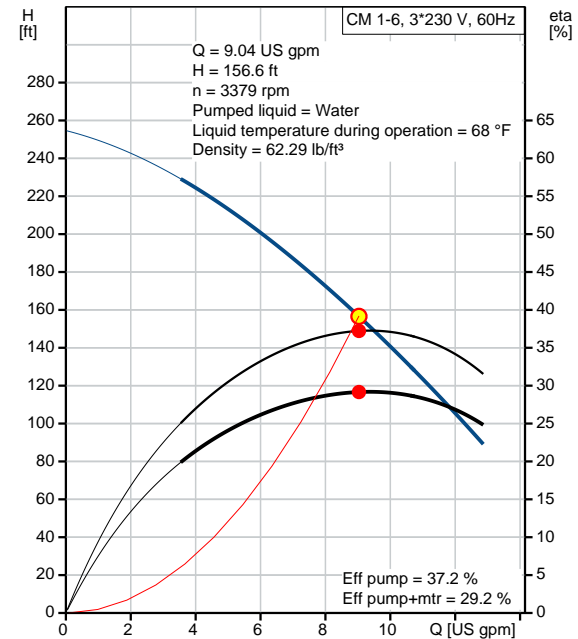
Company name:
Created by:
Phone:

Date: 4/1/2020

97568249 CM 1-6 A-S-G-V-AQQV E-A-A-N 60 Hz



Description	Value
General information:	
Product name:	CM 1-6 A-S-G-V-AQQV E-A-A-N
Product No.:	97568249
EAN:	5700318668101 5700318668101
Technical:	
Pump speed on which pump data are based:	3480 rpm
Actual calculated flow:	9.04 US gpm
Rated flow:	8.98 US gpm
Resulting head of the pump:	156.6 ft
Rated head:	178.4 ft
Impellers:	6
Code for shaft seal:	AQQV
Curve tolerance:	ISO9906:2012 3B
Pump version:	A
Model:	A
Materials:	
Pump housing:	Stainless steel EN 1.4401 AISI 316
Impeller:	Stainless steel EN 1.4401 AISI 316
Material code:	G
Code for rubber:	V
Installation:	
Range of ambient temperature:	-4 .. 131 °F
Maximum operating pressure:	232.06 psi
Max pressure at stated temperature:	232 psi / 194 °F 145 psi / 250 °F
Type of connection:	NPT(F)
Size of suction port:	1 inch
Size of outlet port:	1 inch
Outlet position:	12
Connect code:	S
Liquid:	
Pumped liquid:	Water
Liquid temperature range:	-4 .. 248 °F
Selected liquid temperature:	68 °F
Density:	62.29 lb/ft ³
Electrical data:	
Motor standard:	NEMA
Frame size:	71B
Rated power - P2:	0.992 HP
Main frequency:	60 Hz
Suitable for 50/60 Hz:	N
Phase:	3
Rated voltage:	208-230YY/440-480Y V
Service factor:	1.00
Rated current:	3,4-3,6/1,7-1,8 A
Rated speed:	3220-3370 rpm
Enclosure class (IEC 34-5):	IP55
Insulation class (IEC 85):	F
Built-in motor protection:	NONE
Controls:	
Frequency converter:	NONE





Company name:

Created by:

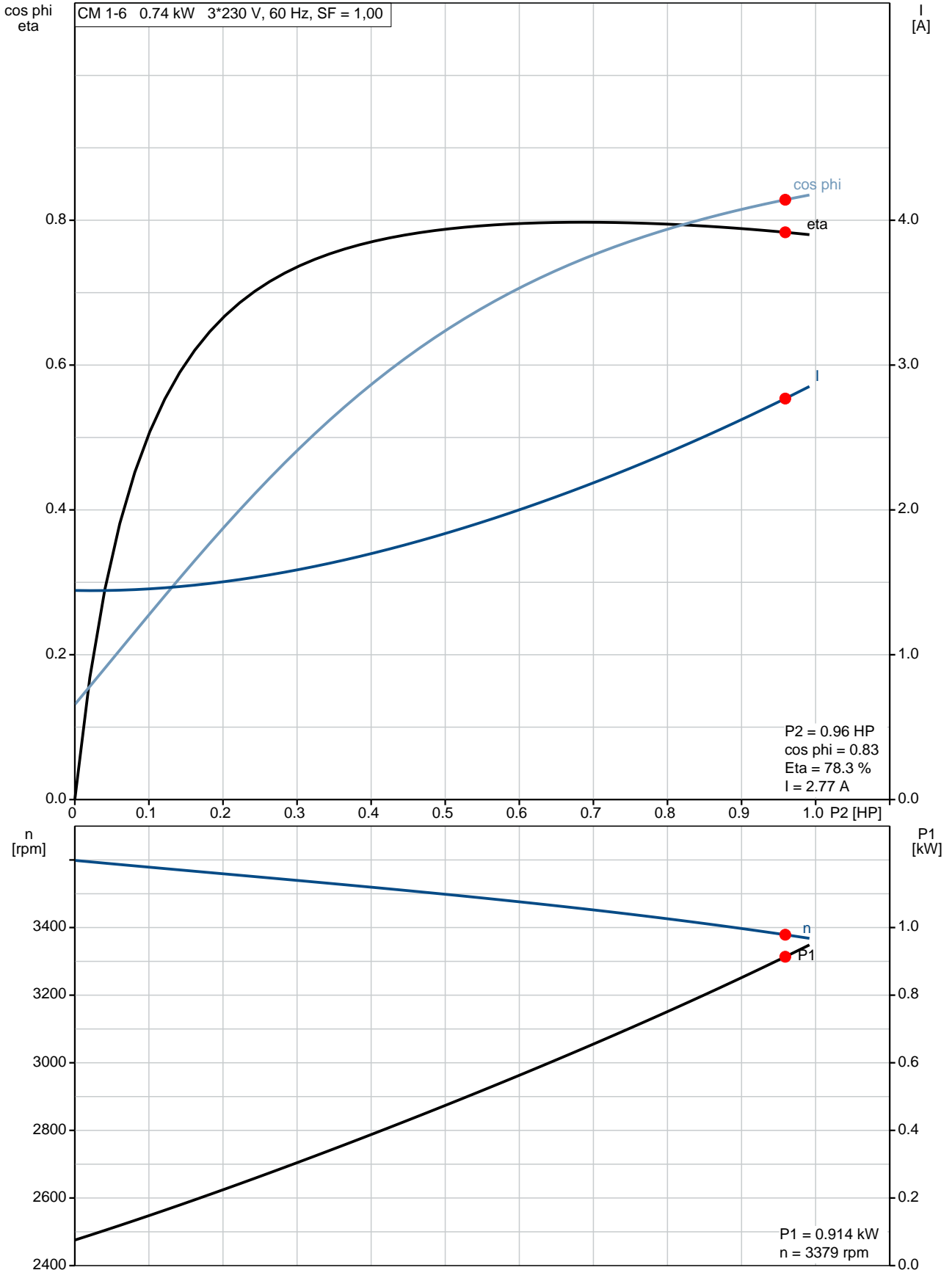
Phone:

Date:

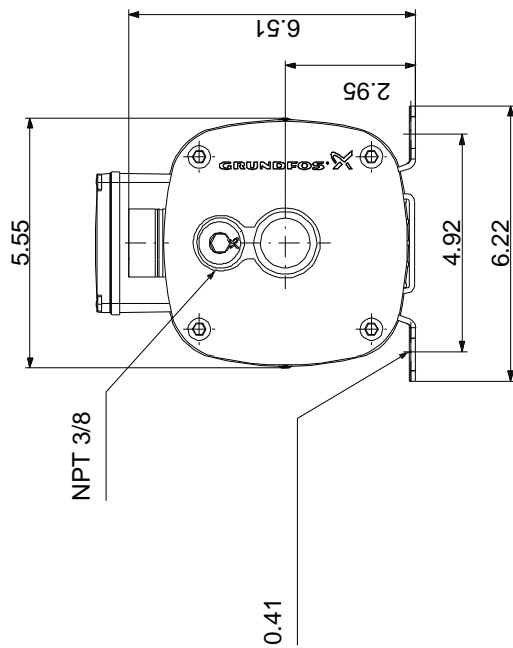
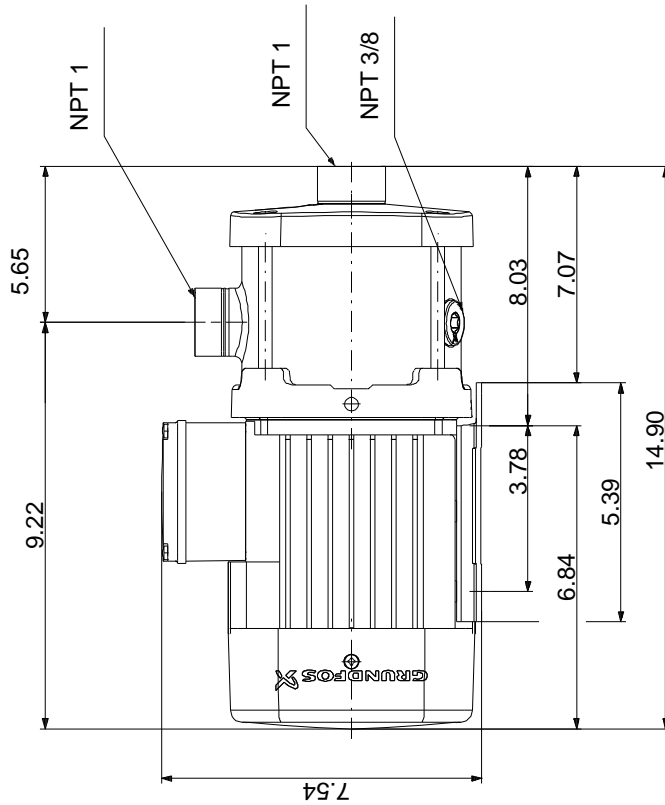
4/1/2020

Description	Value
Others:	
Terminal box position:	12
Minimum efficiency index, MEI â%¥:	0.68
Net weight:	30.2 lb
Gross weight:	35.7 lb
Approvals:	CE,CULUS,WRAS,ACS,TR,EA C,CURUS
Country of origin:	US
Custom tariff no.:	8413.70.2040

97568249 CM 1-6 A-S-G-V-AQQV E-A-A-N 60 Hz



97568249 CM 1-6 A-S-G-V-AQQV E-A-A-N 60 Hz



Note! All units are in [in] unless otherwise stated.
 Disclaimer: This simplified dimensional drawing does not show all details.

97568249 CM 1-6 A-S-G-V-AQQV E-A-A-N 60 Hz

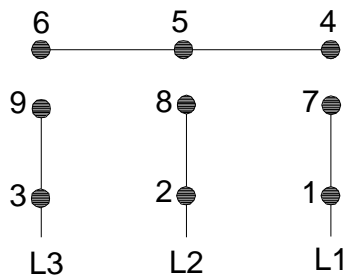


WARNING

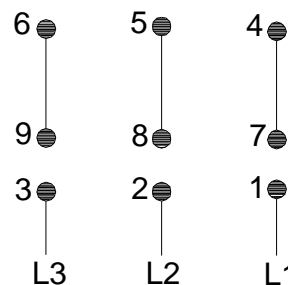
MOTOR MUST BE GROUNDED IN ACCORDANCE WITH THE NATIONAL ELECTRICAL CODE AND LOCAL CODES BY TRAINED PERSONNEL TO PREVENT SERIOUS ELECTRICAL SHOCKS.

TO SERVICE MOTOR, DISCONNECT POWER SOURCE FROM MOTOR AND ANY ACCESSORY DEVICES AND ALLOW MOTOR TO COME TO A COMPLETE STAND STILL.

LOW VOLTAGE 60Hz. 208-230V



HIGH VOLTAGE 60Hz: 460V 50Hz: 400V



96553852

INTERCHANGE ANY TWO LINE WIRES TO REVERSE ROTATION
THERMOSTAT LEADS
(WHEN PROVIDED)

