

PROJECT: _____	UNIT TAG: _____	QUANTITY: _____
REPRESENTATIVE: _____	TYPE OF SERVICE: _____	DATE: _____
ENGINEER: _____	SUBMITTED BY: _____	DATE: _____
CONTRACTOR: _____	APPROVED BY: _____	DATE: _____
	ORDER NO.: _____	DATE: _____

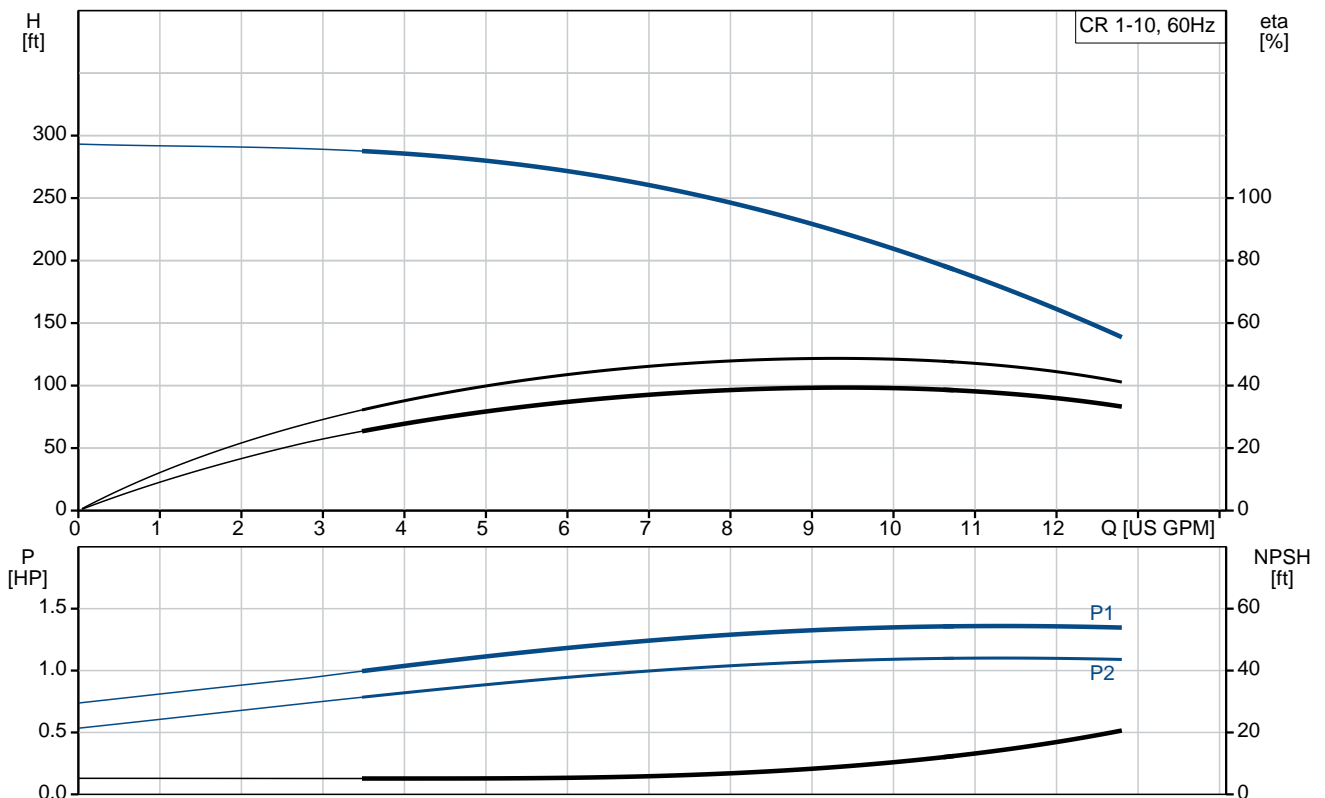


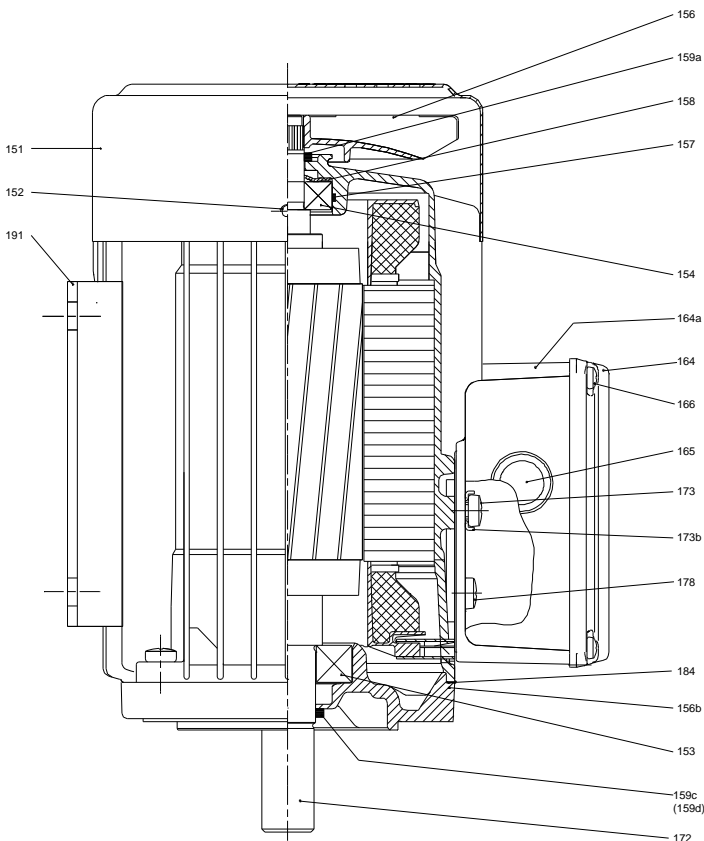
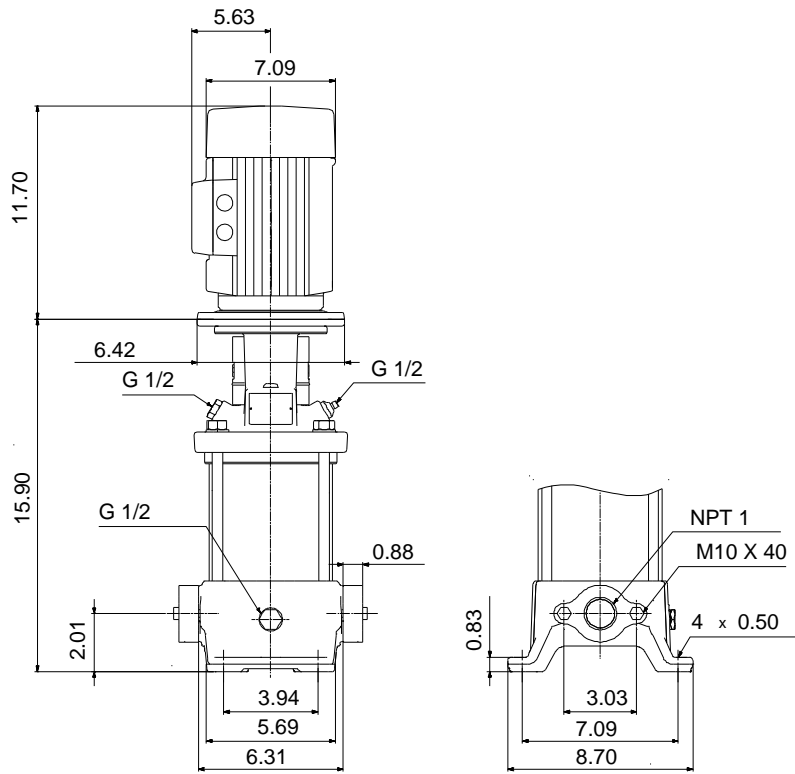
CR 1-10 A-B-A-V-HQQV

Vertical, multistage centrifugal pump with suction and discharge ports on the same level. The pump head and base are in cast iron - all other wetted parts are in stainless steel (EN 1.4301)

Note! Product picture may differ from actual product


Conditions of Service	Pump Data	Motor Data
Flow: _____	Max pressure at stated temp: 232 psi / 194 °F	Rated power - P2: 1.5 HP
Head: _____	Liquid temperature range: -4 .. 194 °F	Rated voltage: 208-230YY/460Y V
Efficiency: _____	Maximum ambient temperature: 140 °F	Mains frequency: 60 Hz
Liquid: Water	Approvals: CURUS	Enclosure class: 55 Dust/Jetting
Temperature: 68 °F	Shaft seal: HQQV	Insulation class: F
NPSH required: ft	Product number: 97747793	Motor protection: NONE
Viscosity: _____		Motor type: 80CA
Specific Gravity: 1.000		Motor_efficiency: 84.9 %





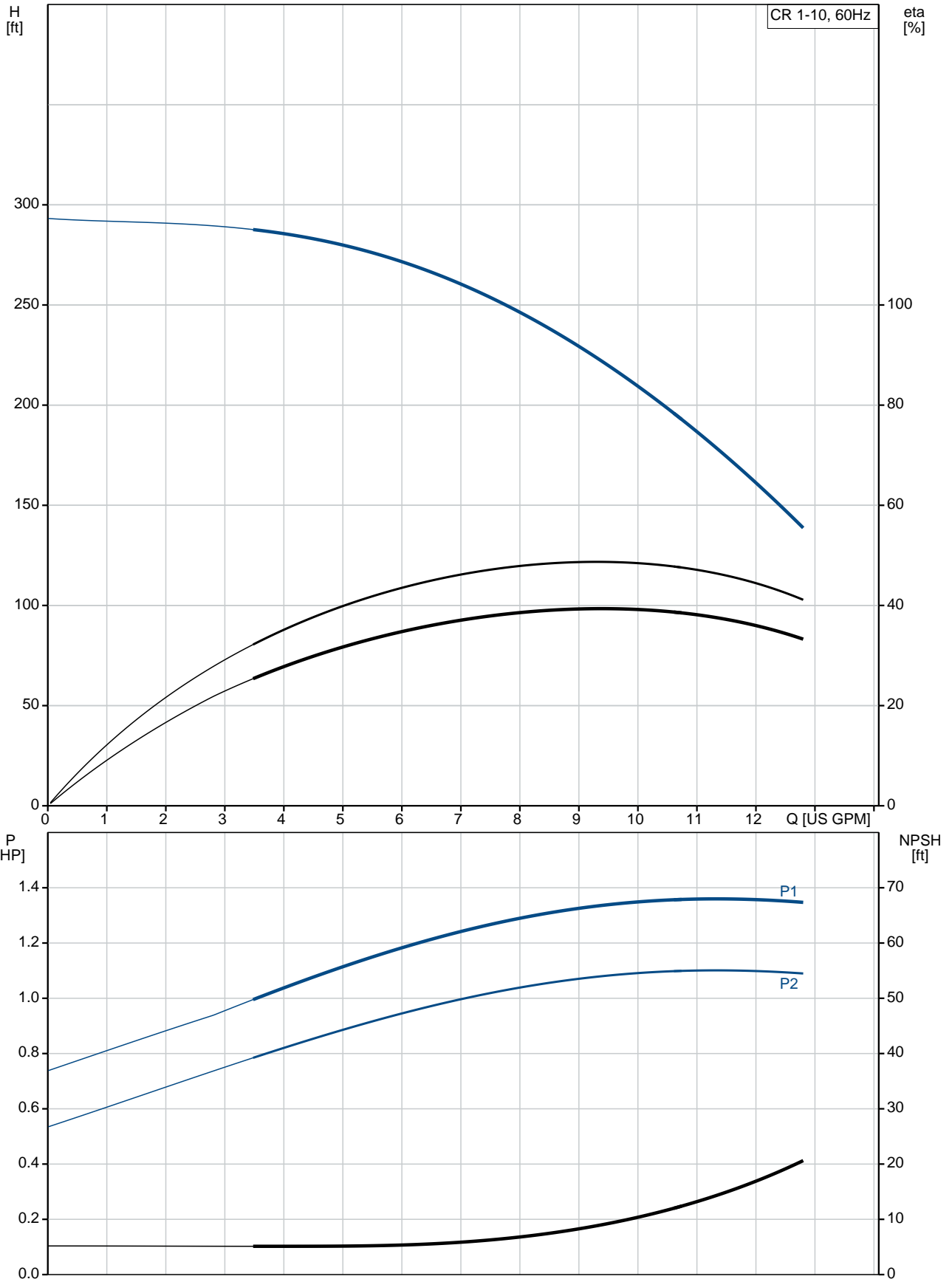
Materials:

- Base: Cast iron
EN 1561 EN-GJL-200
ASTM A48-25B
- Impeller: Stainless steel
AISI 304
EN 1.4301
- Material code: A
- Code for rubber: V

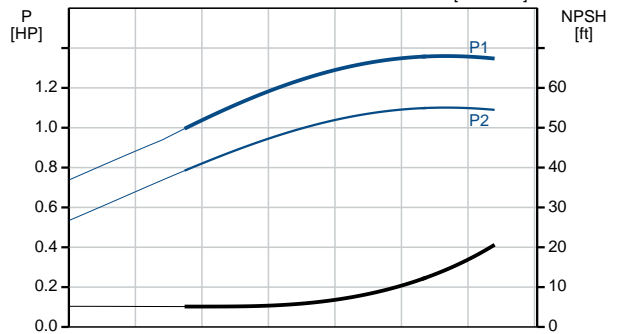
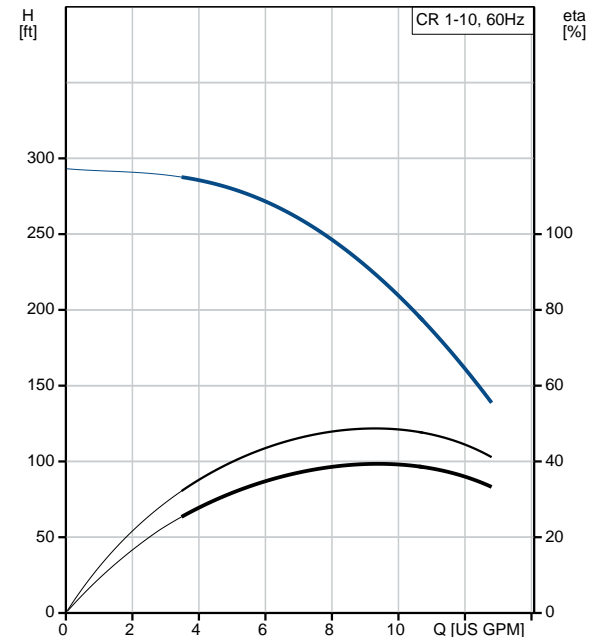
Qty.	Description																																																		
1	<p data-bbox="199 336 478 369">CR 1-10 A-B-A-V-HQQV</p>  <p data-bbox="199 660 470 694">Product No.: 97747793</p> <p data-bbox="199 716 1460 817">Vertical, multistage centrifugal pump with inlet and outlet ports on same the level (inline). The pump head and base are in cast iron – all other wetted parts are in stainless steel. A cartridge shaft seal ensures high reliability, safe handling, and easy access and service. Power transmission is via a rigid split coupling. Pipe connection is via oval flanges with internal NPT threads.</p> <p data-bbox="199 862 933 896">The pump is fitted with a 3-phase, fan-cooled asynchronous motor.</p> <p data-bbox="199 952 287 985">Liquid:</p> <table data-bbox="199 974 694 1108"> <tr> <td>Pumped liquid:</td> <td>Water</td> </tr> <tr> <td>Liquid temperature range:</td> <td>-4 .. 194 °F</td> </tr> <tr> <td>Selected liquid temperature:</td> <td>68 °F</td> </tr> <tr> <td>Density:</td> <td>62.29 lb/ft³</td> </tr> </table> <p data-bbox="199 1131 327 1164">Technical:</p> <table data-bbox="199 1153 821 1400"> <tr> <td>Pump speed on which pump data are based:</td> <td>3484 rpm</td> </tr> <tr> <td>Rated flow:</td> <td>9.69 US GPM</td> </tr> <tr> <td>Rated head:</td> <td>207.7 ft</td> </tr> <tr> <td>Pump orientation:</td> <td>Vertical</td> </tr> <tr> <td>Shaft seal arrangement:</td> <td>Single</td> </tr> <tr> <td>Code for shaft seal:</td> <td>HQQV</td> </tr> <tr> <td>Approvals on nameplate:</td> <td>CURUS</td> </tr> <tr> <td>Curve tolerance:</td> <td>ISO9906:2012 3B</td> </tr> </table> <p data-bbox="199 1422 327 1456">Materials:</p> <table data-bbox="199 1444 813 1668"> <tr> <td>Base:</td> <td>Cast iron EN 1561 EN-GJL-200 ASTM A48-25B</td> </tr> <tr> <td>Impeller:</td> <td>Stainless steel EN 1.4301 AISI 304</td> </tr> <tr> <td>Bearing:</td> <td>SIC</td> </tr> </table> <p data-bbox="199 1691 343 1724">Installation:</p> <table data-bbox="199 1713 750 1993"> <tr> <td>Maximum ambient temperature:</td> <td>140 °F</td> </tr> <tr> <td>Maximum operating pressure:</td> <td>232.06 psi</td> </tr> <tr> <td>Max pressure at stated temp:</td> <td>232 psi / 194 °F 232 psi / -4 °F</td> </tr> <tr> <td>Type of connection:</td> <td>Oval / NPT(F)</td> </tr> <tr> <td>Size of inlet connection:</td> <td>1 inch</td> </tr> <tr> <td>Size of outlet connection:</td> <td>1 inch</td> </tr> <tr> <td>Pressure rating for connection:</td> <td>PN 16</td> </tr> <tr> <td>Flange size for motor:</td> <td>56C</td> </tr> </table> <p data-bbox="199 2016 383 2049">Electrical data:</p> <table data-bbox="199 2038 646 2116"> <tr> <td>Motor standard:</td> <td>NEMA</td> </tr> <tr> <td>Motor type:</td> <td>80CA</td> </tr> </table>	Pumped liquid:	Water	Liquid temperature range:	-4 .. 194 °F	Selected liquid temperature:	68 °F	Density:	62.29 lb/ft ³	Pump speed on which pump data are based:	3484 rpm	Rated flow:	9.69 US GPM	Rated head:	207.7 ft	Pump orientation:	Vertical	Shaft seal arrangement:	Single	Code for shaft seal:	HQQV	Approvals on nameplate:	CURUS	Curve tolerance:	ISO9906:2012 3B	Base:	Cast iron EN 1561 EN-GJL-200 ASTM A48-25B	Impeller:	Stainless steel EN 1.4301 AISI 304	Bearing:	SIC	Maximum ambient temperature:	140 °F	Maximum operating pressure:	232.06 psi	Max pressure at stated temp:	232 psi / 194 °F 232 psi / -4 °F	Type of connection:	Oval / NPT(F)	Size of inlet connection:	1 inch	Size of outlet connection:	1 inch	Pressure rating for connection:	PN 16	Flange size for motor:	56C	Motor standard:	NEMA	Motor type:	80CA
Pumped liquid:	Water																																																		
Liquid temperature range:	-4 .. 194 °F																																																		
Selected liquid temperature:	68 °F																																																		
Density:	62.29 lb/ft ³																																																		
Pump speed on which pump data are based:	3484 rpm																																																		
Rated flow:	9.69 US GPM																																																		
Rated head:	207.7 ft																																																		
Pump orientation:	Vertical																																																		
Shaft seal arrangement:	Single																																																		
Code for shaft seal:	HQQV																																																		
Approvals on nameplate:	CURUS																																																		
Curve tolerance:	ISO9906:2012 3B																																																		
Base:	Cast iron EN 1561 EN-GJL-200 ASTM A48-25B																																																		
Impeller:	Stainless steel EN 1.4301 AISI 304																																																		
Bearing:	SIC																																																		
Maximum ambient temperature:	140 °F																																																		
Maximum operating pressure:	232.06 psi																																																		
Max pressure at stated temp:	232 psi / 194 °F 232 psi / -4 °F																																																		
Type of connection:	Oval / NPT(F)																																																		
Size of inlet connection:	1 inch																																																		
Size of outlet connection:	1 inch																																																		
Pressure rating for connection:	PN 16																																																		
Flange size for motor:	56C																																																		
Motor standard:	NEMA																																																		
Motor type:	80CA																																																		

Qty.	Description
	<p>IE Efficiency class: NEMA Premium / IE3 60Hz</p> <p>Rated power - P2: 1.5 HP</p> <p>Power (P2) required by pump: 1.5 HP</p> <p>Mains frequency: 60 Hz</p> <p>Rated voltage: 3 x 208-230YY/460Y V</p> <p>Service factor: 1.15</p> <p>Rated current: 4,45-4,3/2,16 A</p> <p>Starting current: 720 %</p> <p>Cos phi - power factor: 0.84-0.78</p> <p>Rated speed: 3440-3480 rpm</p> <p>Efficiency: IE3 84,1%</p> <p>Motor efficiency at full load: 84.9 %</p> <p>Motor efficiency at 3/4 load: 81.0 %</p> <p>Motor efficiency at 1/2 load: 78.5 %</p> <p>Number of poles: 2</p> <p>Enclosure class (IEC 34-5): 55 Dust/Jetting</p> <p>Insulation class (IEC 85): F</p> <p>Motor No: 98976607</p> <p>Controls:</p> <p>Frequency converter: NONE</p> <p>Others:</p> <p>Net weight: 53.7 lb</p> <p>Gross weight: 64.7 lb</p> <p>Shipping volume: 6.11 ft³</p> <p>Country of origin: US</p> <p>Custom tariff no.: 8413.70.2040</p>

97747793 CR 1-10 A-B-A-V-HQQV 60 Hz



Description	Value
General information:	
Product name:	CR 1-10 A-B-A-V-HQQV
Product No:	97747793
EAN number:	5710623690360 5710623690360
Technical:	
Pump speed on which pump data are based:	3484 rpm
Rated flow:	9.69 US GPM
Rated head:	207.7 ft
Maximum head:	287.7 ft
Stages:	10
Impellers:	10
Number of reduced-diameter impellers:	0
Low NPSH:	N
Pump orientation:	Vertical
Shaft seal arrangement:	Single
Code for shaft seal:	HQQV
Approvals on nameplate:	CURUS
Curve tolerance:	ISO9906:2012 3B
Pump version:	A
Model:	A
Cooling:	TEFC
Materials:	
Base:	Cast iron EN 1561 EN-GJL-200 ASTM A48-25B
Impeller:	Stainless steel EN 1.4301 AISI 304
Material code:	A
Code for rubber:	V
Bearing:	SIC
Installation:	
Maximum ambient temperature:	140 °F
Maximum operating pressure:	232.06 psi
Max pressure at stated temp:	232 psi / 194 °F 232 psi / -4 °F
Type of connection:	Oval / NPT(F)
Size of inlet connection:	1 inch
Size of outlet connection:	1 inch
Pressure rating for connection:	PN 16
Flange size for motor:	56C
Connect code:	B
Liquid:	
Pumped liquid:	Water
Liquid temperature range:	-4 .. 194 °F
Selected liquid temperature:	68 °F
Density:	62.29 lb/ft ³
Electrical data:	
Motor standard:	NEMA
Motor type:	80CA
IE Efficiency class:	NEMA Premium / IE3 60Hz
Rated power - P2:	1.5 HP
Power (P2) required by pump:	1.5 HP
Mains frequency:	60 Hz
Rated voltage:	3 x 208-230YY/460Y V





Company name:

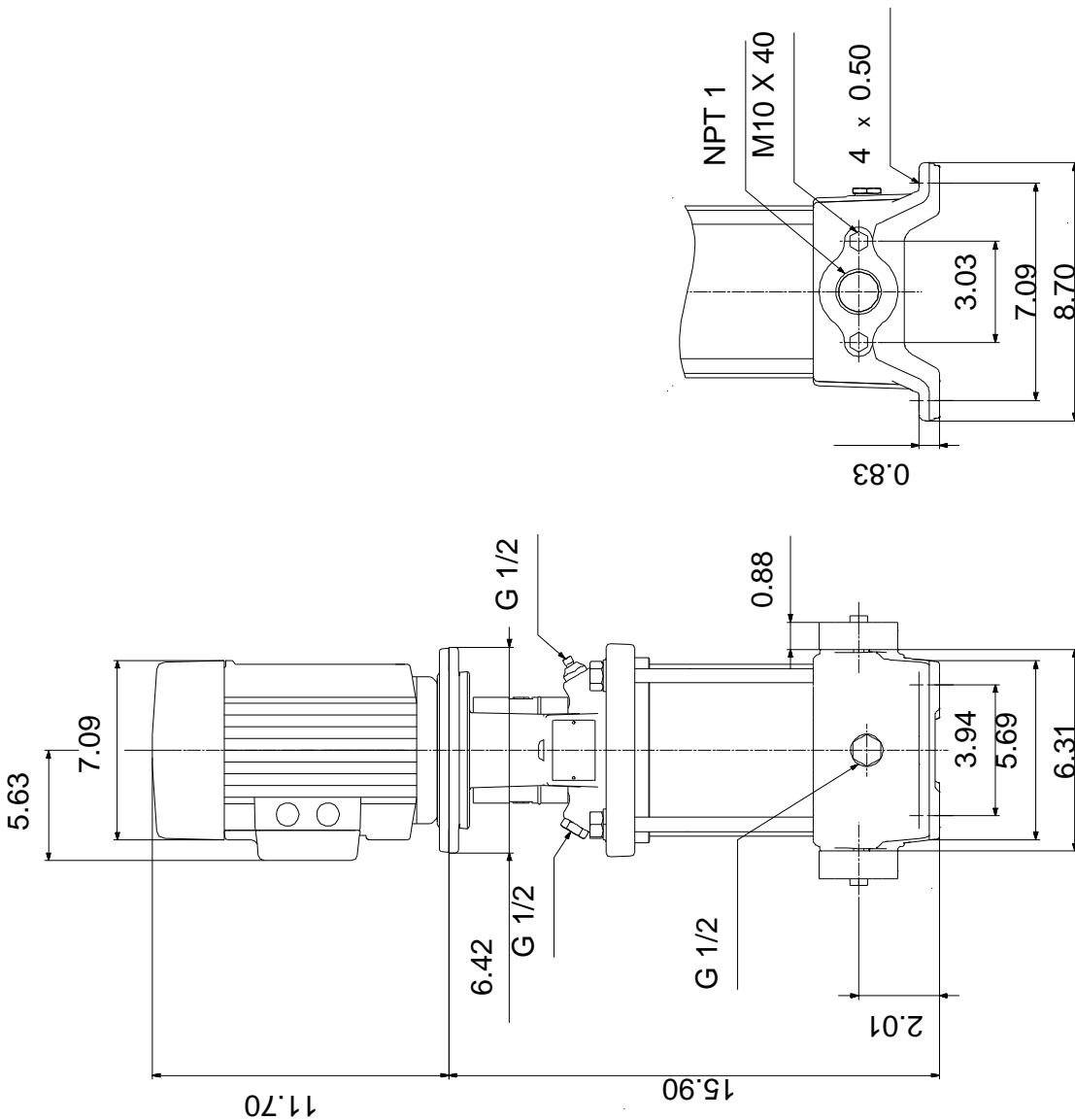
Created by:

Phone:

Date: 21/04/2020

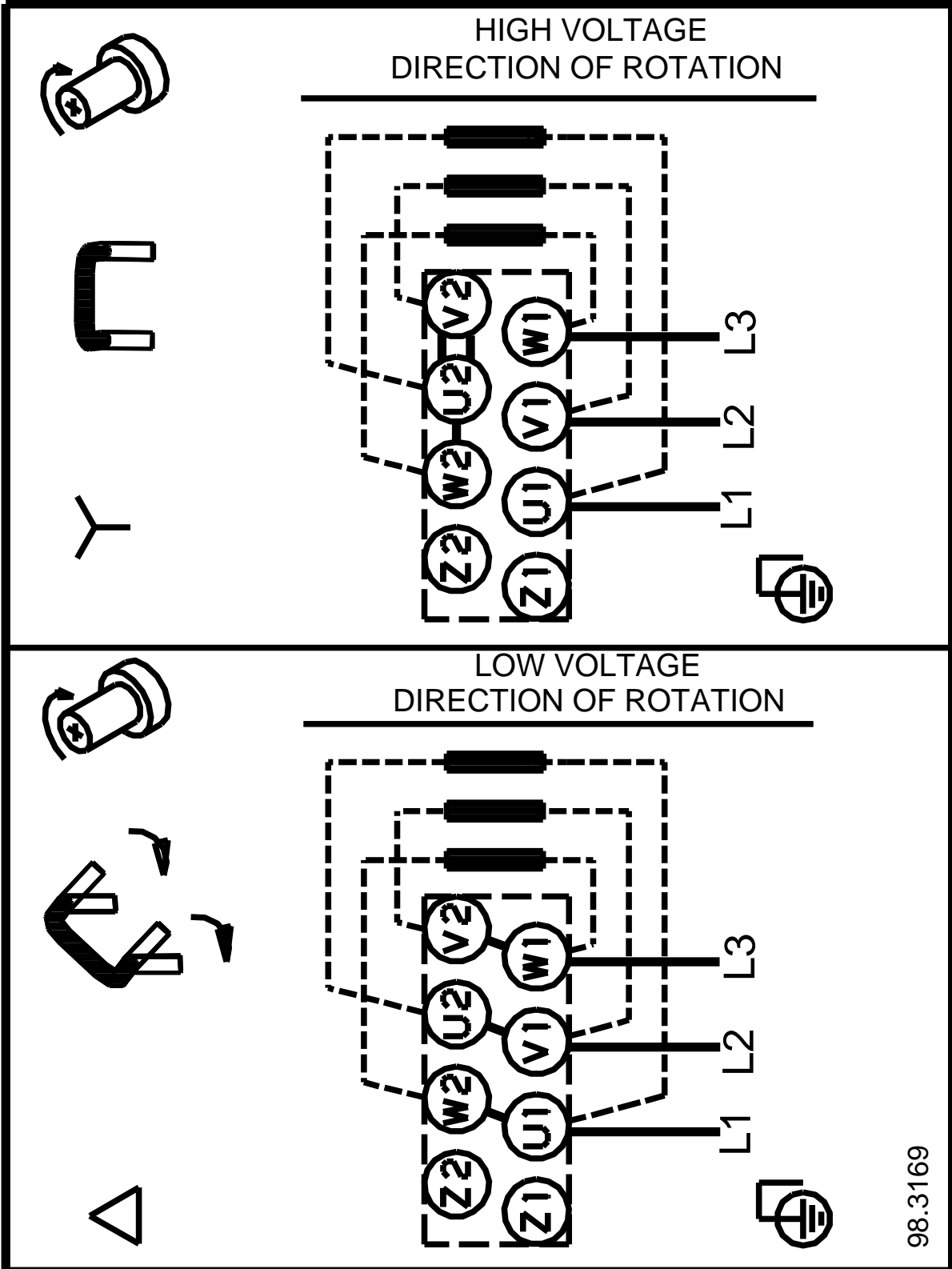
Description	Value
Service factor:	1.15
Rated current:	4,45-4,3/2,16 A
Starting current:	720 %
Load current:	5,1-4,95/2,48 A
Cos phi - power factor:	0.84-0.78
Rated speed:	3440-3480 rpm
Efficiency:	IE3 84,1%
Motor efficiency at full load:	84.9 %
Motor efficiency at 3/4 load:	81.0 %
Motor efficiency at 1/2 load:	78.5 %
Number of poles:	2
Enclosure class (IEC 34-5):	55 Dust/Jetting
Insulation class (IEC 85):	F
Motor protec:	NONE
Motor No:	98976607
Controls:	
Frequency converter:	NONE
Others:	
Net weight:	53.7 lb
Gross weight:	64.7 lb
Shipping volume:	6.11 ft ³
Country of origin:	US
Custom tariff no.:	8413.70.2040

97747793 CR 1-10 A-B-A-V-HQQV 60 Hz



Note! All units are in [in] unless others are stated.
Disclaimer: This simplified dimensional drawing does not show all details.

97747793 CR 1-10 A-B-A-V-HQQV 60 Hz



Note! All units are in [in] unless others are stated.