

PROJECT: _____	UNIT TAG: _____	QUANTITY: _____
REPRESENTATIVE: _____	TYPE OF SERVICE: _____	DATE: _____
ENGINEER: _____	SUBMITTED BY: _____	DATE: _____
CONTRACTOR: _____	APPROVED BY: _____	DATE: _____
	ORDER NO.: _____	DATE: _____

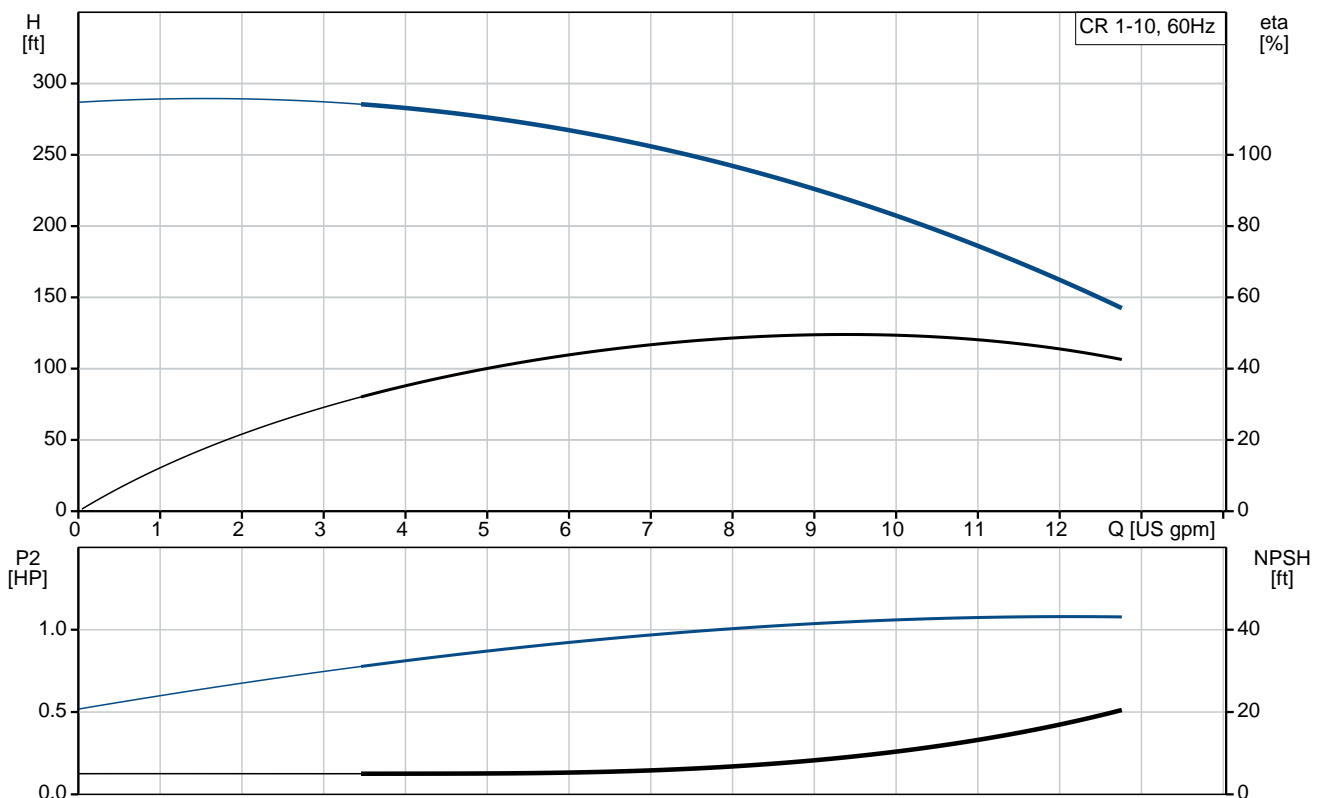
CR 1-10 A-B-A-E-HQQE

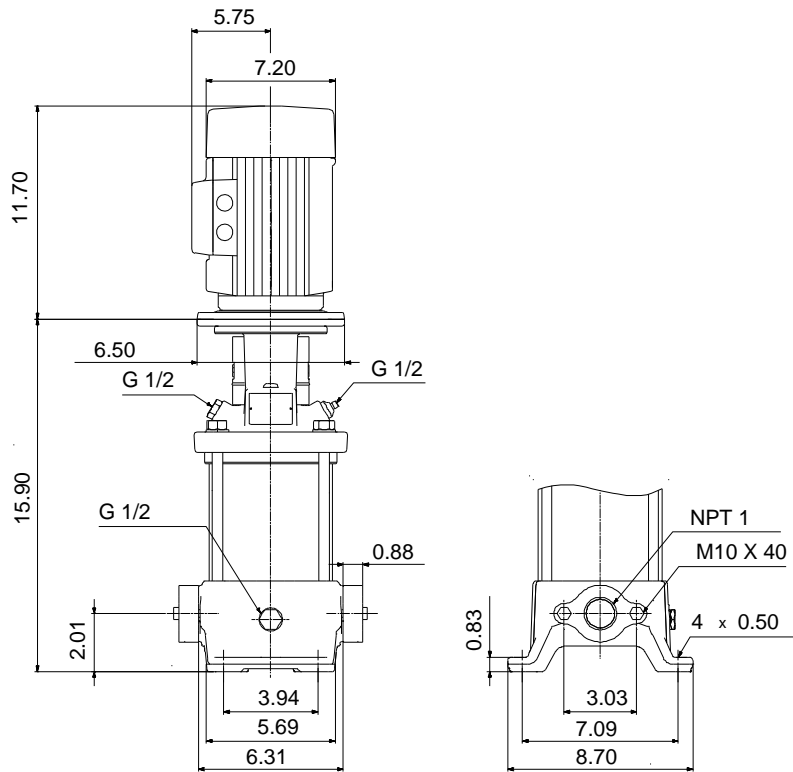


Vertical, multistage centrifugal pump with suction and discharge ports on the same level. The pump head and base are in cast iron. All other wetted parts are in stainless steel (EN 1.4301)(AISI 304)

Product photo could vary from the actual product

Conditions of Service	Pump Data	Motor Data
Flow: _____	Max pressure at stated temperature: 232 psi / 250 °F	Rated power - P2: 1.5 HP
Head: _____	Liquid temperature range: -4 .. 248 °F	Rated voltage: 115/208-230 V
Efficiency: _____	Maximum ambient temperature: 104 °F	Main frequency: 60 Hz
Liquid: Water	Approvals: CURUS,NSF61	Insulation class: B
Temperature: 68 °F	Shaft seal: HQQE	Motor protection: NONE
NPSH required: ft	Product number: 97765532	Motor type: BALDOR
Viscosity: _____		
Specific Gravity: 1.000		






Materials:

Base: Cast iron
 EN 1561 EN-GJL-200
 ASTM A48-25B

Impeller: Stainless steel
 AISI 304
 EN 1.4301

Material code: A
 Code for rubber: E

Count	Description																																																		
1	<p data-bbox="225 342 502 365">CR 1-10 A-B-A-E-HQQE</p>  <p data-bbox="225 663 491 685">Product No.: 97765532</p> <p data-bbox="225 723 1445 819">Vertical, multistage centrifugal pump with inlet and outlet ports on same the level (inline). The pump head and base are in cast iron – all other wetted parts are in stainless steel. A cartridge shaft seal ensures high reliability, safe handling, and easy access and service. Power transmission is via a rigid split coupling. Pipe connection is via oval flanges with internal NPT threads.</p> <p data-bbox="225 864 959 887">The pump is fitted with a 1-phase, fan-cooled asynchronous motor.</p> <p data-bbox="225 954 309 976">Liquid:</p> <table data-bbox="225 981 715 1099"> <tr> <td>Pumped liquid:</td> <td>Water</td> </tr> <tr> <td>Liquid temperature range:</td> <td>-4 .. 248 °F</td> </tr> <tr> <td>Selected liquid temperature:</td> <td>68 °F</td> </tr> <tr> <td>Density:</td> <td>62.29 lb/ft³</td> </tr> </table> <p data-bbox="225 1133 347 1155">Technical:</p> <table data-bbox="225 1160 788 1395"> <tr> <td>Rated pump speed:</td> <td>3450 rpm</td> </tr> <tr> <td>Rated flow:</td> <td>9.69 US gpm</td> </tr> <tr> <td>Rated head:</td> <td>216.9 ft</td> </tr> <tr> <td>Pump orientation:</td> <td>Vertical</td> </tr> <tr> <td>Shaft seal arrangement:</td> <td>Single</td> </tr> <tr> <td>Code for shaft seal:</td> <td>HQQE</td> </tr> <tr> <td>Approvals on nameplate:</td> <td>CURUS, NSF61</td> </tr> <tr> <td>Curve tolerance:</td> <td>ISO9906:2012 3B</td> </tr> </table> <p data-bbox="225 1429 341 1451">Materials:</p> <table data-bbox="225 1456 831 1664"> <tr> <td>Base:</td> <td>Cast iron EN 1561 EN-GJL-200 ASTM A48-25B</td> </tr> <tr> <td>Impeller:</td> <td>Stainless steel EN 1.4301 AISI 304</td> </tr> <tr> <td>Bearing:</td> <td>SIC</td> </tr> </table> <p data-bbox="225 1697 363 1720">Installation:</p> <table data-bbox="225 1724 826 1989"> <tr> <td>Maximum ambient temperature:</td> <td>104 °F</td> </tr> <tr> <td>Maximum operating pressure:</td> <td>232.06 psi</td> </tr> <tr> <td>Max pressure at stated temperature:</td> <td>232 psi / 250 °F 232 psi / -4 °F</td> </tr> <tr> <td>Type of connection:</td> <td>Oval / NPT(F)</td> </tr> <tr> <td>Size of suction port:</td> <td>1 inch</td> </tr> <tr> <td>Size of outlet port:</td> <td>1 inch</td> </tr> <tr> <td>Pressure rating for connection:</td> <td>PN 16</td> </tr> <tr> <td>Flange size for motor:</td> <td>56C</td> </tr> </table> <p data-bbox="225 2022 400 2045">Electrical data:</p> <table data-bbox="225 2049 692 2110"> <tr> <td>Motor standard:</td> <td>NEMA</td> </tr> <tr> <td>Motor type:</td> <td>BALDOR</td> </tr> </table>	Pumped liquid:	Water	Liquid temperature range:	-4 .. 248 °F	Selected liquid temperature:	68 °F	Density:	62.29 lb/ft³	Rated pump speed:	3450 rpm	Rated flow:	9.69 US gpm	Rated head:	216.9 ft	Pump orientation:	Vertical	Shaft seal arrangement:	Single	Code for shaft seal:	HQQE	Approvals on nameplate:	CURUS, NSF61	Curve tolerance:	ISO9906:2012 3B	Base:	Cast iron EN 1561 EN-GJL-200 ASTM A48-25B	Impeller:	Stainless steel EN 1.4301 AISI 304	Bearing:	SIC	Maximum ambient temperature:	104 °F	Maximum operating pressure:	232.06 psi	Max pressure at stated temperature:	232 psi / 250 °F 232 psi / -4 °F	Type of connection:	Oval / NPT(F)	Size of suction port:	1 inch	Size of outlet port:	1 inch	Pressure rating for connection:	PN 16	Flange size for motor:	56C	Motor standard:	NEMA	Motor type:	BALDOR
Pumped liquid:	Water																																																		
Liquid temperature range:	-4 .. 248 °F																																																		
Selected liquid temperature:	68 °F																																																		
Density:	62.29 lb/ft³																																																		
Rated pump speed:	3450 rpm																																																		
Rated flow:	9.69 US gpm																																																		
Rated head:	216.9 ft																																																		
Pump orientation:	Vertical																																																		
Shaft seal arrangement:	Single																																																		
Code for shaft seal:	HQQE																																																		
Approvals on nameplate:	CURUS, NSF61																																																		
Curve tolerance:	ISO9906:2012 3B																																																		
Base:	Cast iron EN 1561 EN-GJL-200 ASTM A48-25B																																																		
Impeller:	Stainless steel EN 1.4301 AISI 304																																																		
Bearing:	SIC																																																		
Maximum ambient temperature:	104 °F																																																		
Maximum operating pressure:	232.06 psi																																																		
Max pressure at stated temperature:	232 psi / 250 °F 232 psi / -4 °F																																																		
Type of connection:	Oval / NPT(F)																																																		
Size of suction port:	1 inch																																																		
Size of outlet port:	1 inch																																																		
Pressure rating for connection:	PN 16																																																		
Flange size for motor:	56C																																																		
Motor standard:	NEMA																																																		
Motor type:	BALDOR																																																		



Company name:

Created by:

Phone:

Date:

4/20/2020

Count	Description
	Rated power - P2: 1.5 HP
	Power (P2) required by pump: 1.5 HP
	Main frequency: 60 Hz
	Rated voltage: 1 x 115/208-230 V
	Service factor: 1.30
	Rated current: 17/9,50-8,60 A
	Rated speed: 3450 rpm
	Number of poles: 2
	Insulation class (IEC 85): B
	Motor Number: 84Z04007
	Controls:
	Frequency converter: NONE
	Others:
	Net weight: 78.8 lb
	Gross weight: 89.8 lb
	Shipping volume: 6.11 ft ³
	Country of origin: US
	Custom tariff no.: 8413.70.2040



Company name:

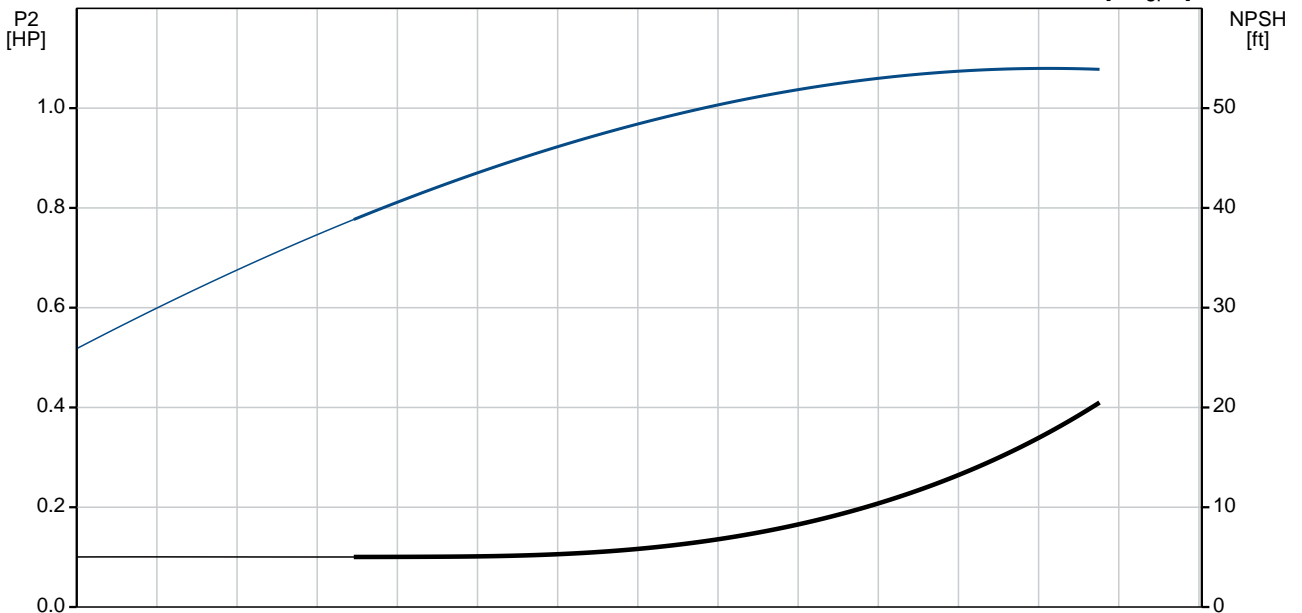
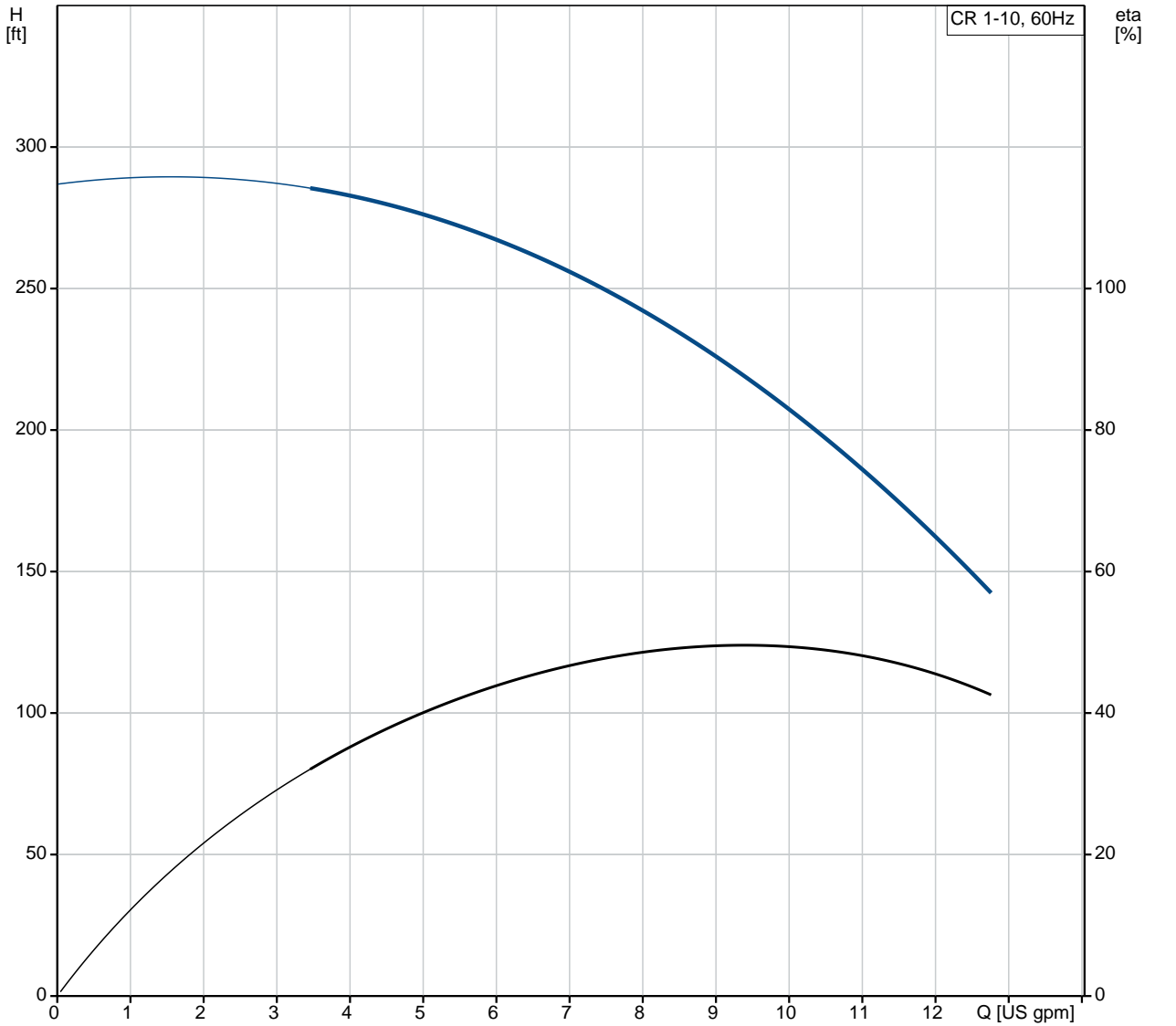
Created by:

Phone:

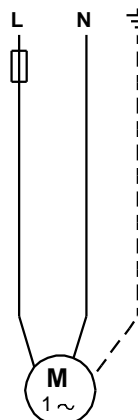
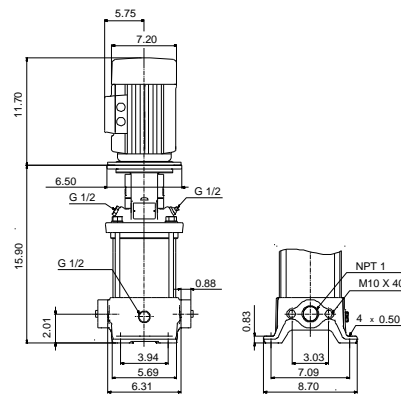
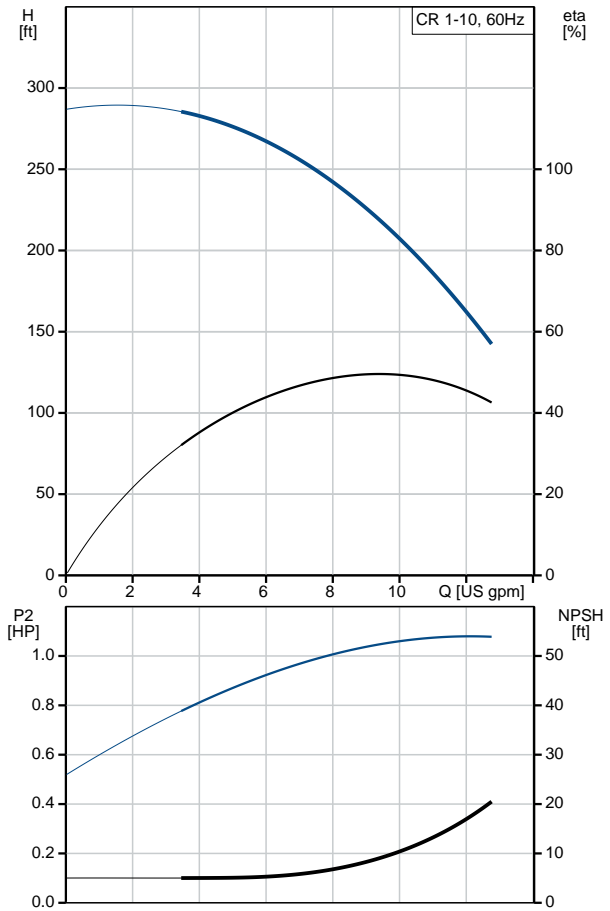
Date:

4/20/2020

97765532 CR 1-10 A-B-A-E-HQQE 60 Hz



Description	Value
General information:	
Product name:	CR 1-10 A-B-A-E-HQQE
Product No.:	97765532
EAN:	5710623993683
	5710623993683
Technical:	
Rated pump speed:	3450 rpm
Rated flow:	9.69 US gpm
Rated head:	216.9 ft
Maximum head:	292 ft
Stages:	10
Impellers:	10
Number of reduced-diameter impellers:	0
Low NPSH:	N
Pump orientation:	Vertical
Shaft seal arrangement:	Single
Code for shaft seal:	HQQE
Approvals on nameplate:	CURUS,NSF61
Curve tolerance:	ISO9906:2012 3B
Pump version:	A
Model:	A
Cooling:	TEFC
Materials:	
Base:	Cast iron
	EN 1561 EN-GJL-200
	ASTM A48-25B
Impeller:	Stainless steel
	EN 1.4301
	AISI 304
Material code:	A
Code for rubber:	E
Bearing:	SIC
Installation:	
Maximum ambient temperature:	104 °F
Maximum operating pressure:	232.06 psi
Max pressure at stated temperature:	232 psi / 250 °F
	232 psi / -4 °F
Type of connection:	Oval / NPT(F)
Size of suction port:	1 inch
Size of outlet port:	1 inch
Pressure rating for connection:	PN 16
Flange size for motor:	56C
Connect code:	B
Liquid:	
Pumped liquid:	Water
Liquid temperature range:	-4 .. 248 °F
Selected liquid temperature:	68 °F
Density:	62.29 lb/ft³
Electrical data:	
Motor standard:	NEMA
Motor type:	BALDOR
Rated power - P2:	1.5 HP
Power (P2) required by pump:	1.5 HP
Main frequency:	60 Hz
Rated voltage:	1 x 115/208-230 V
Service factor:	1.30
Rated current:	17/9,50-8,60 A
Load current:	20,4/11,3-10,2 A





Company name:

Created by:

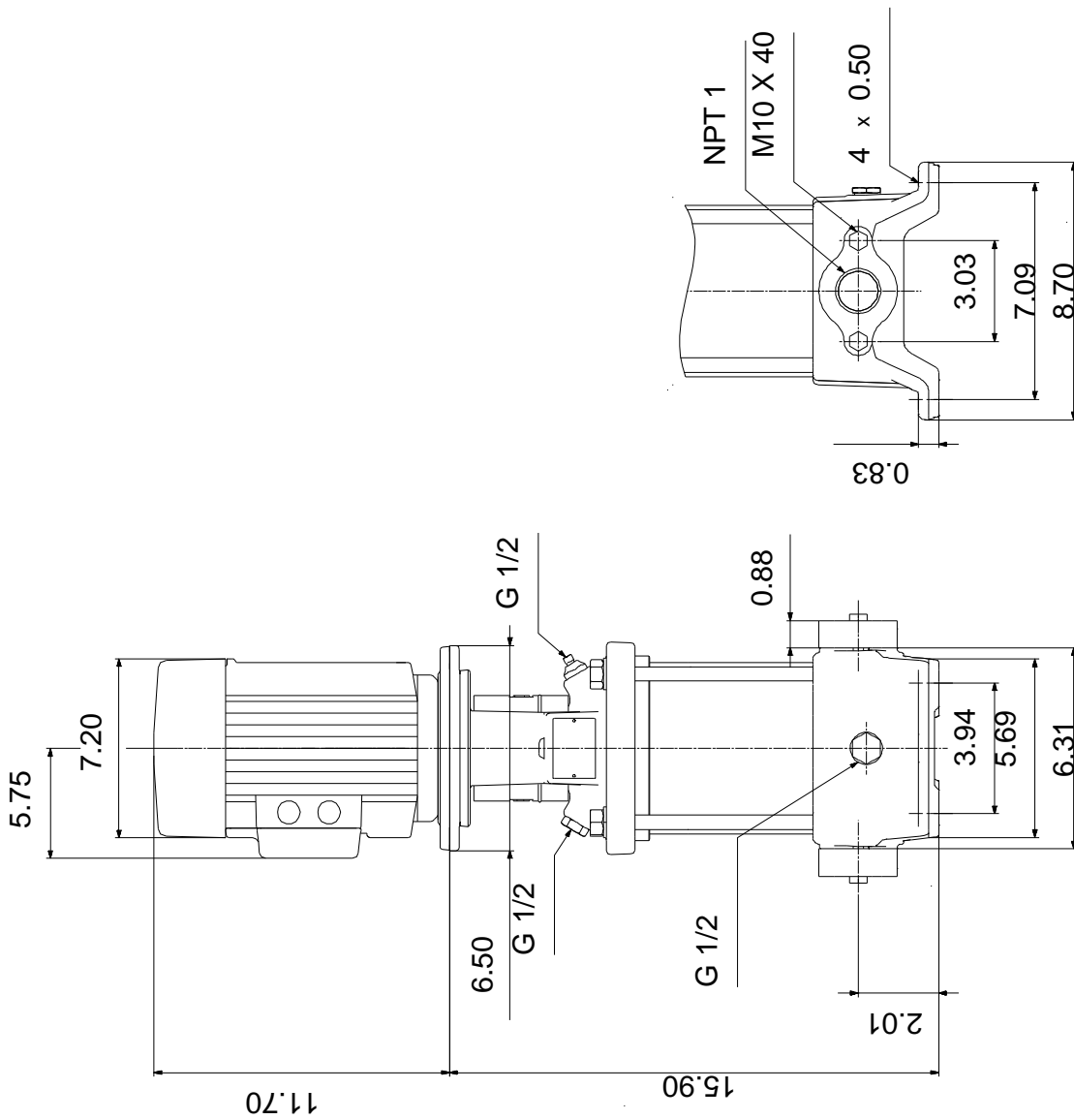
Phone:

Date:

4/20/2020

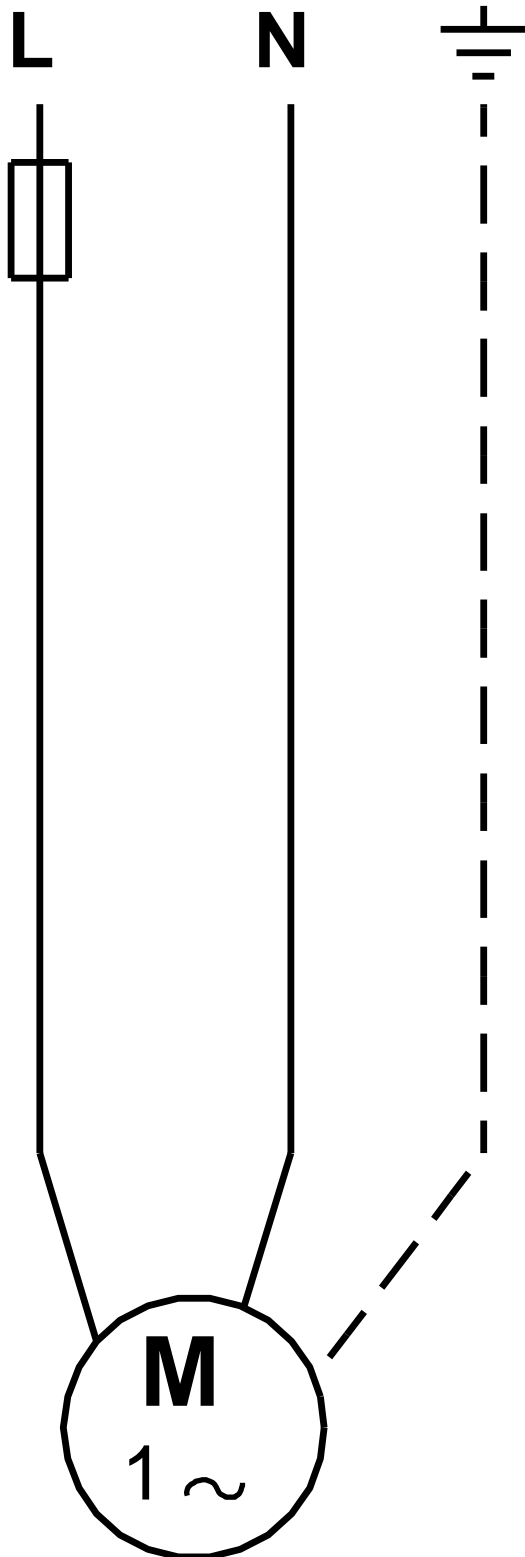
Description	Value
Rated speed:	3450 rpm
Number of poles:	2
Insulation class (IEC 85):	B
Motor protection:	NONE
Motor Number:	84Z04007
Controls:	
Frequency converter:	NONE
Others:	
Net weight:	78.8 lb
Gross weight:	89.8 lb
Shipping volume:	6.11 ft ³
Country of origin:	US
Custom tariff no.:	8413.70.2040

97765532 CR 1-10 A-B-A-E-HQQE 60 Hz



Note! All units are in [in] unless otherwise stated.
Disclaimer: This simplified dimensional drawing does not show all details.

97765532 CR 1-10 A-B-A-E-HQQE 60 Hz



All units are [in] unless otherwise presented.