

PROJECT: _____	UNIT TAG: _____	QUANTITY: _____
REPRESENTATIVE: _____	TYPE OF SERVICE: _____	DATE: _____
ENGINEER: _____	SUBMITTED BY: _____	DATE: _____
CONTRACTOR: _____	APPROVED BY: _____	DATE: _____
	ORDER NO.: _____	DATE: _____

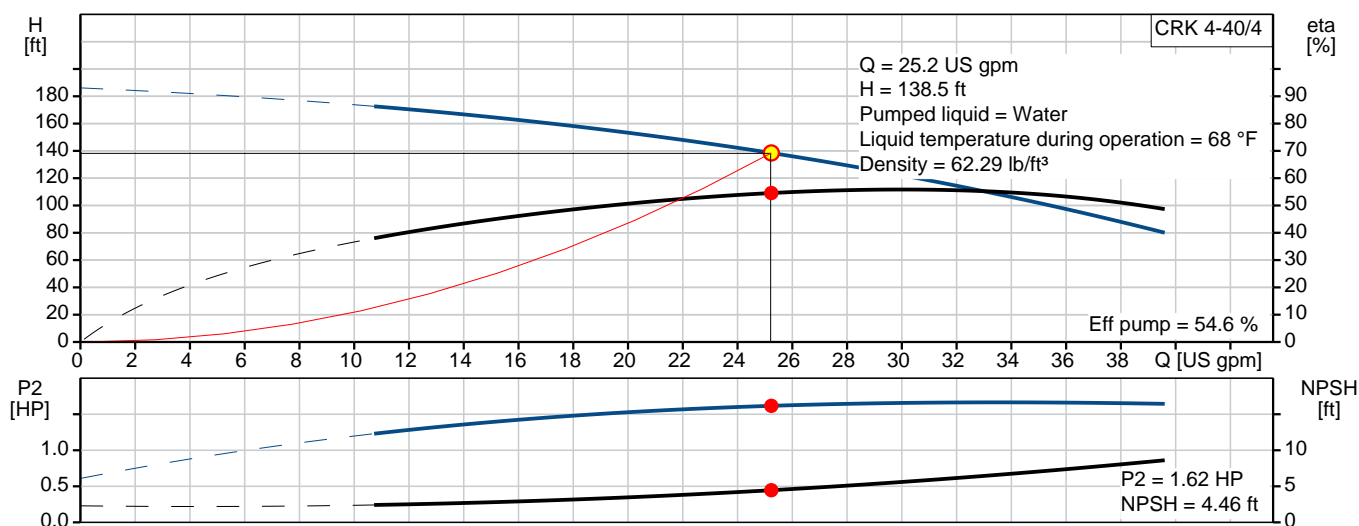


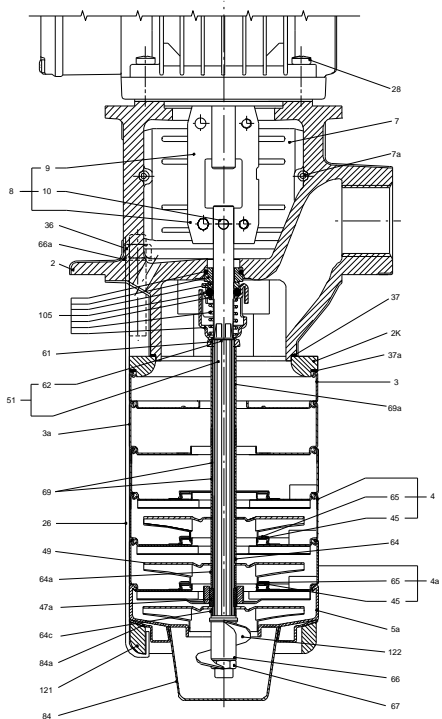
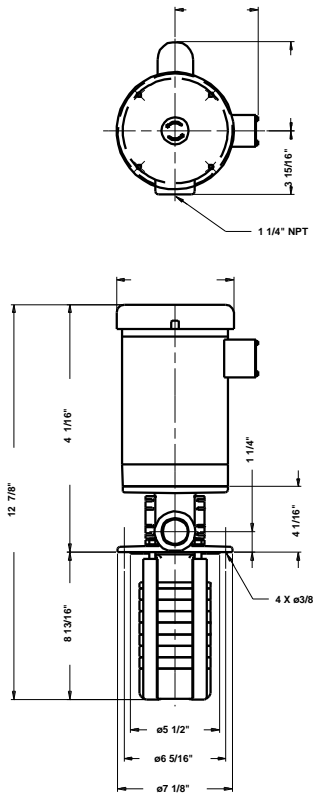
CRK 4-40/4 U-W-A-AUUV

Coolant and condensate pumps

Product photo could vary from the actual product

Conditions of Service		Pump Data		Motor Data	
Flow:	25.2 US gpm	Liquid temperature range:	14 .. 194 °F	Main frequency:	60 Hz
Head:	138.5 ft	Shaft seal:	AUUV		
Efficiency:	_____	Pipe connection:	1 1/4" NPT		
Liquid:	Water	Product number:	41920064		
Temperature:	68 °F				
NPSH required:	4.46 ft				
Viscosity:	_____				
Specific Gravity:	1.000				





Materials:

- Pump head: Cast iron
EN-JL1030
ASTM A48-30 B
- Impeller: Stainless steel
DIN W.-Nr. 1.4301
AISI 304
- Material code: A

Count	Description
-------	-------------

1	CRK 4-40/4 U-W-A-AUUV
---	-----------------------



Product photo could vary from the actual product

Product No.: [41920064](#)

Multistage, immersible, self-priming, centrifugal pump for vertical installation in tanks etc.

The pump has the following characteristics:

- Installation length according to DIN 5440.
- Impellers, intermediate chambers and spline shaft are made of Stainless steel.
- Mechanical shaft seal according to DIN 24960.
- Power transmission via cast iron split coupling.

Liquid:

Pumped liquid:	Water
Liquid temperature range:	14 .. 194 °F
Selected liquid temperature:	68 °F
Density:	62.29 lb/ft³

Technical:

Pump speed on which pump data is based:	3500 rpm
Actual calculated flow:	25.2 US gpm
Resulting head of the pump:	138.5 ft
Primary shaft seal:	AUUV
Curve tolerance:	ISO 9906:1999 Annex A

Materials:

Pump head:	Cast iron EN-JL1030 ASTM A48-30 B
Impeller:	Stainless steel DIN W.-Nr. 1.4301 AISI 304

Installation:



Company name: PFC Equipment

Created by:

Phone:

Date: 4/16/2020

Count	Description
	Pipe connection: 1 1/4" NPT Flange size for motor: 149.2
	Others: Country of origin: US Custom tariff no.: 8413.70.2040



Company name: PFC Equipment

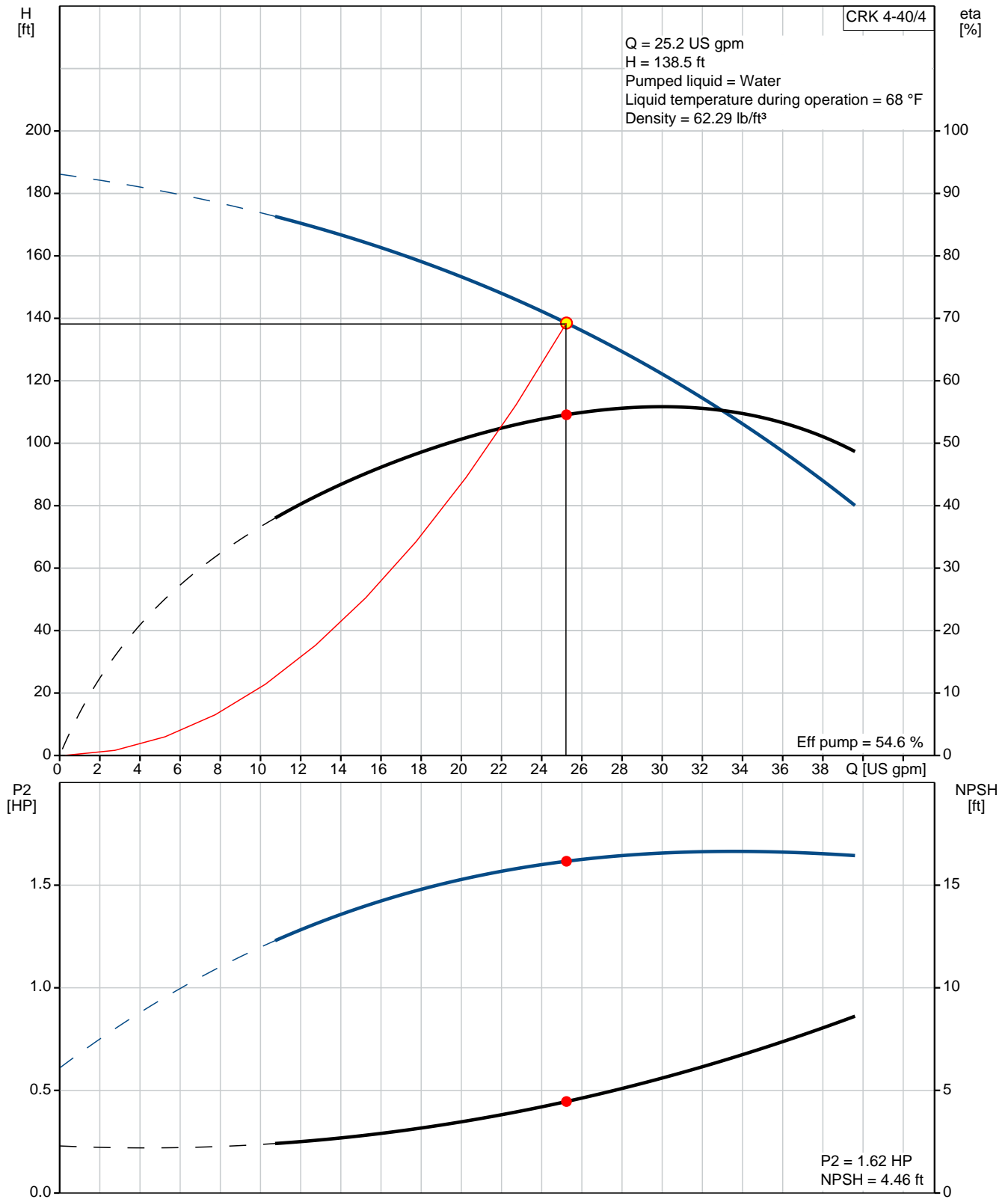
Created by:

Phone:

Date:

4/16/2020

41920064 CRK 4-40/4 U-W-A-AUUV 60 Hz





Company name: PFC Equipment

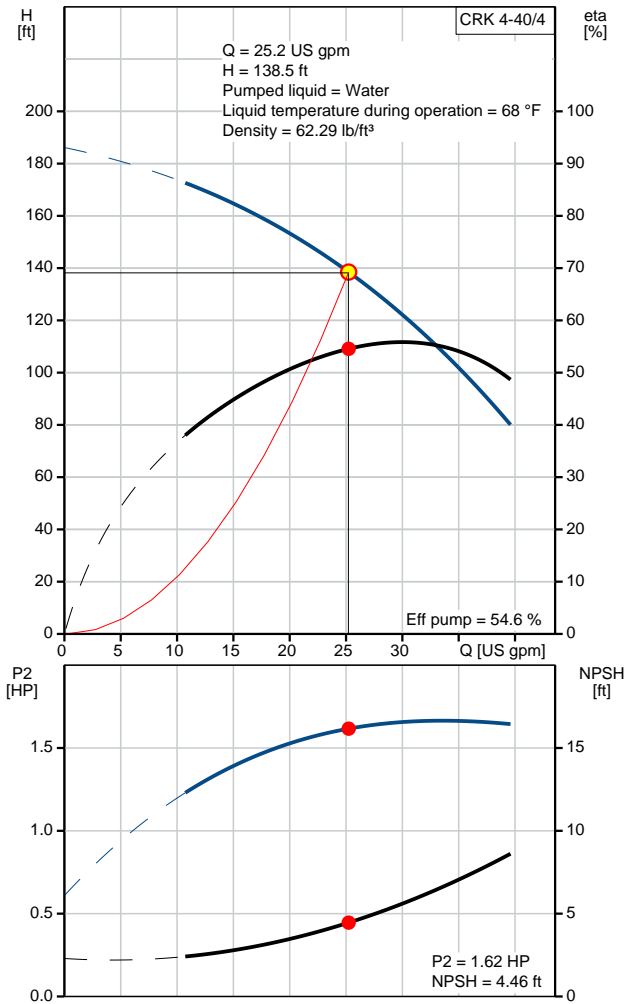
Created by:

Phone:

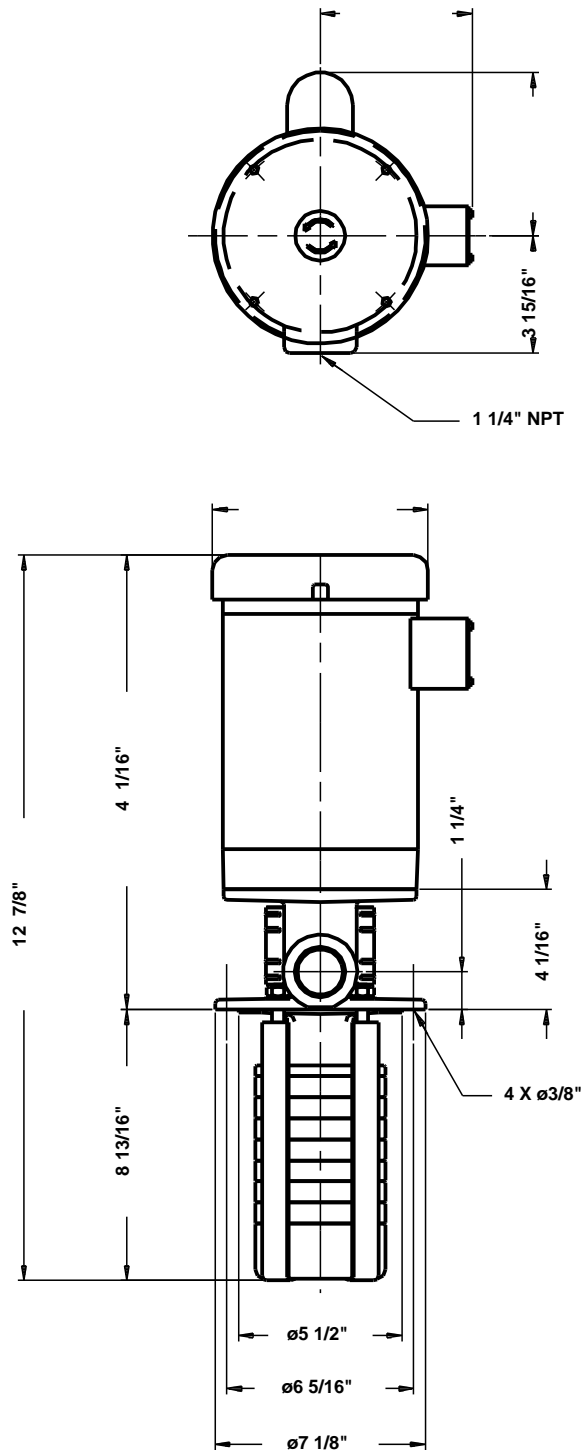
Date:

4/16/2020

Description	Value
General information:	
Product name:	CRK 4-40/4 U-W-A-AUUV
Product No.:	41920064
EAN:	5700390756406 5700390756406
Technical:	
Pump speed on which pump data is based:	3500 rpm
Actual calculated flow:	25.2 US gpm
Resulting head of the pump:	138.5 ft
Stages:	4
Impellers:	4
Primary shaft seal:	AUUV
Curve tolerance:	ISO 9906:1999 Annex A
Pump version:	U
Model:	B
Materials:	
Pump head:	Cast iron EN-JL1030 ASTM A48-30 B
Impeller:	Stainless steel DIN W.-Nr. 1.4301 AISI 304
Material code:	A
Installation:	
Pipe connection:	1 1/4" NPT
Flange size for motor:	149.2
Connect code:	W
Liquid:	
Pumped liquid:	Water
Liquid temperature range:	14 .. 194 °F
Selected liquid temperature:	68 °F
Density:	62.29 lb/ft³
Others:	
Sales region:	Namreg
Country of origin:	US
Custom tariff no.:	8413.70.2040



41920064 CRK 4-40/4 U-W-A-AUUV 60 Hz



Note! All units are in [in] unless otherwise stated.
Disclaimer: This simplified dimensional drawing does not show all details.