

|                       |                        |                 |
|-----------------------|------------------------|-----------------|
| PROJECT: _____        | UNIT TAG: _____        | QUANTITY: _____ |
| REPRESENTATIVE: _____ | TYPE OF SERVICE: _____ | DATE: _____     |
| ENGINEER: _____       | SUBMITTED BY: _____    | DATE: _____     |
| CONTRACTOR: _____     | APPROVED BY: _____     | DATE: _____     |
|                       | ORDER NO.: _____       | DATE: _____     |

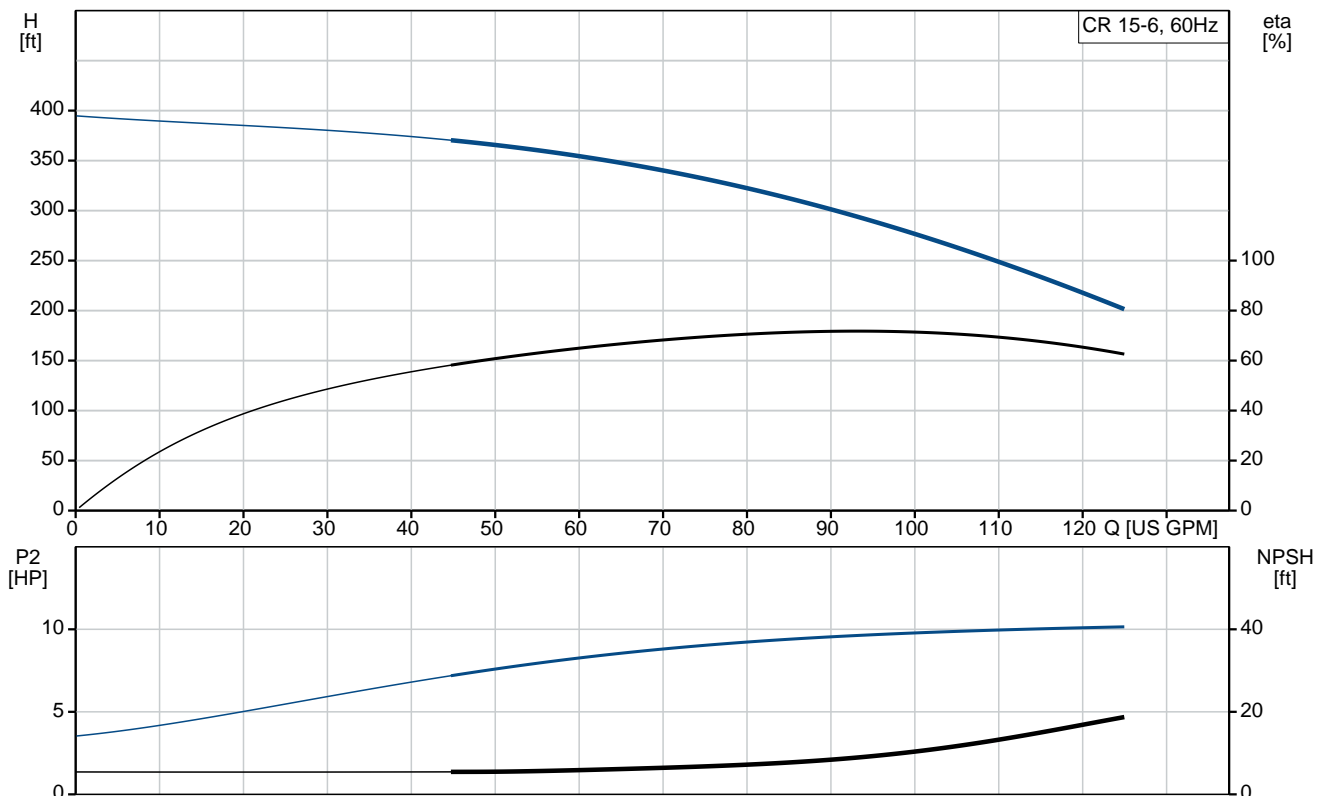


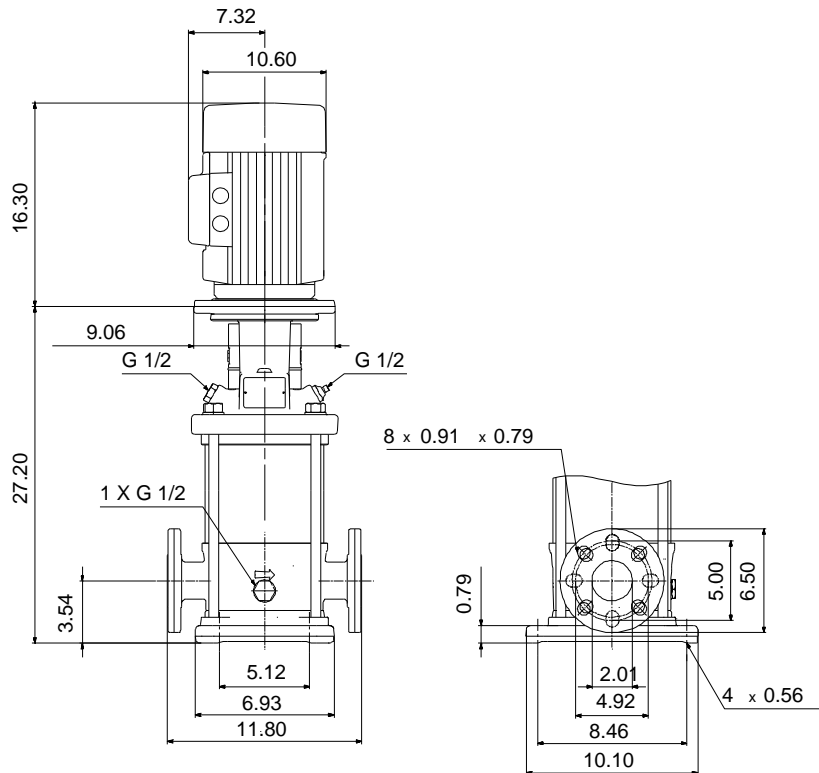
### CR 15-6 A-GJ-A-E-HQQE

Vertical, multistage centrifugal pump with suction and discharge ports on the same level. The pump head and base are in cast iron - all other wetted parts are in stainless steel (EN 1.4301)

Note! Product picture may differ from actual product

| Conditions of Service   | Pump Data                                     | Motor Data                   |
|-------------------------|---|------------------------------|
| Flow: _____             | Max pressure at stated temp: 232 psi / 250 °F | Rated power - P2: 15 HP      |
| Head: _____             | Liquid temperature range: -4 .. 248 °F        | Rated voltage: 208-230/460 V |
| Efficiency: _____       | Maximum ambient temperature: 104 °F           | Mains frequency: 60 Hz       |
| Liquid: Water           | Approvals: CURUS                              | Enclosure class: IP23        |
| Temperature: 68 °F      | Shaft seal: HQQE                              | Insulation class: F          |
| NPSH required: ft       | Product number: 98144134                      | Motor protection: NONE       |
| Viscosity: _____        |   | Motor type: BALDOR           |
| Specific Gravity: 1.000 |   |                              |






**Materials:**

Base: Cast iron  
 EN 1561 EN-GJL-200  
 ASTM A48-25B

Impeller: Stainless steel  
 AISI 304  
 EN 1.4301

Material code: A  
 Code for rubber: E

| Qty.                                     | Description  |                |       |                           |              |                              |       |          |                          |  |          |             |             |             |          |                           |         |                   |          |                         |        |                      |      |                         |       |                  |                 |       |   |           |  |          |     |                              |        |                             |            |                              |                                     |                     |            |                           |       |                            |       |                                 |       |                      |        |                        |       |
|--|--|----------------|-------|---------------------------|--------------|------------------------------|-------|----------|--------------------------|--|----------|-------------|-------------|-------------|----------|---------------------------|---------|-------------------|----------|-------------------------|--------|----------------------|------|-------------------------|-------|------------------|-----------------|-------|---|-----------|--|----------|-----|------------------------------|--------|-----------------------------|------------|------------------------------|-------------------------------------|---------------------|------------|---------------------------|-------|----------------------------|-------|---------------------------------|-------|----------------------|--------|------------------------|-------|
| 1  | <p data-bbox="199 336 494 369"><b>CR 15-6 A-GJ-A-E-HQQE</b></p>  <p data-bbox="199 660 470 683">Product No.: <a href="#">98144134</a></p> <p data-bbox="199 716 1460 817">Vertical, multistage centrifugal pump with inlet and outlet ports on same the level (inline). The pump head and base are in cast iron – all other wetted parts are in stainless steel. A cartridge shaft seal ensures high reliability, safe handling, and easy access and service. Power transmission is via a rigid split coupling. Pipe connection is via combined ANSI-JIS flanges.</p> <p data-bbox="199 862 933 884">The pump is fitted with a 3-phase, fan-cooled asynchronous motor.</p> <p data-bbox="199 952 287 974"><b>Liquid:</b></p> <table data-bbox="199 974 694 1097"> <tr> <td>Pumped liquid:</td> <td>Water</td> </tr> <tr> <td>Liquid temperature range:</td> <td>-4 .. 248 °F</td> </tr> <tr> <td>Selected liquid temperature:</td> <td>68 °F</td> </tr> <tr> <td>Density:</td> <td>62.29 lb/ft<sup>3</sup></td> </tr> </table> <p data-bbox="199 1131 327 1153"><b>Technical:</b></p> <table data-bbox="199 1153 821 1422"> <tr> <td>Pump speed on which pump data are based:</td> <td>3470 rpm</td> </tr> <tr> <td>Rated flow:</td> <td>90.3 US GPM</td> </tr> <tr> <td>Rated head:</td> <td>300.9 ft</td> </tr> <tr> <td>Actual impeller diameter:</td> <td>4.13 in</td> </tr> <tr> <td>Pump orientation:</td> <td>Vertical</td> </tr> <tr> <td>Shaft seal arrangement:</td> <td>Single</td> </tr> <tr> <td>Code for shaft seal:</td> <td>HQQE</td> </tr> <tr> <td>Approvals on nameplate:</td> <td>CURUS</td> </tr> <tr> <td>Curve tolerance:</td> <td>ISO9906:2012 3B</td> </tr> </table> <p data-bbox="199 1456 319 1478"><b>Materials:</b></p> <table data-bbox="199 1478 805 1691"> <tr> <td>Base:</td> <td>Cast iron<br/>EN 1561 EN-GJL-200<br/>ASTM A48-25B</td> </tr> <tr> <td>Impeller:</td> <td>Stainless steel<br/>EN 1.4301<br/>AISI 304</td> </tr> <tr> <td>Bearing:</td> <td>SIC</td> </tr> </table> <p data-bbox="199 1724 343 1747"><b>Installation:</b></p> <table data-bbox="199 1747 750 2049"> <tr> <td>Maximum ambient temperature:</td> <td>104 °F</td> </tr> <tr> <td>Maximum operating pressure:</td> <td>232.06 psi</td> </tr> <tr> <td>Max pressure at stated temp:</td> <td>232 psi / 250 °F<br/>232 psi / -4 °F</td> </tr> <tr> <td>Type of connection:</td> <td>ANSI / JIS</td> </tr> <tr> <td>Size of inlet connection:</td> <td>DN 50</td> </tr> <tr> <td>Size of outlet connection:</td> <td>DN 50</td> </tr> <tr> <td>Pressure rating for connection:</td> <td>PN 25</td> </tr> <tr> <td>Flange rating inlet:</td> <td>300 lb</td> </tr> <tr> <td>Flange size for motor:</td> <td>254TC</td> </tr> </table> <p data-bbox="199 2083 383 2105"><b>Electrical data:</b></p> | Pumped liquid: | Water | Liquid temperature range: | -4 .. 248 °F | Selected liquid temperature: | 68 °F | Density: | 62.29 lb/ft <sup>3</sup> | Pump speed on which pump data are based: | 3470 rpm | Rated flow: | 90.3 US GPM | Rated head: | 300.9 ft | Actual impeller diameter: | 4.13 in | Pump orientation: | Vertical | Shaft seal arrangement: | Single | Code for shaft seal: | HQQE | Approvals on nameplate: | CURUS | Curve tolerance: | ISO9906:2012 3B | Base: | Cast iron<br>EN 1561 EN-GJL-200<br>ASTM A48-25B | Impeller: | Stainless steel<br>EN 1.4301<br>AISI 304 | Bearing: | SIC | Maximum ambient temperature: | 104 °F | Maximum operating pressure: | 232.06 psi | Max pressure at stated temp: | 232 psi / 250 °F<br>232 psi / -4 °F | Type of connection: | ANSI / JIS | Size of inlet connection: | DN 50 | Size of outlet connection: | DN 50 | Pressure rating for connection: | PN 25 | Flange rating inlet: | 300 lb | Flange size for motor: | 254TC |
| Pumped liquid:                           | Water  |                |       |                           |              |                              |       |          |                          |  |          |             |             |             |          |                           |         |                   |          |                         |        |                      |      |                         |       |                  |                 |       |   |           |  |          |     |                              |        |                             |            |                              |                                     |                     |            |                           |       |                            |       |                                 |       |                      |        |                        |       |
| Liquid temperature range:                | -4 .. 248 °F   |                |       |                           |              |                              |       |          |                          |  |          |             |             |             |          |                           |         |                   |          |                         |        |                      |      |                         |       |                  |                 |       |   |           |  |          |     |                              |        |                             |            |                              |                                     |                     |            |                           |       |                            |       |                                 |       |                      |        |                        |       |
| Selected liquid temperature:             | 68 °F  |                |       |                           |              |                              |       |          |                          |  |          |             |             |             |          |                           |         |                   |          |                         |        |                      |      |                         |       |                  |                 |       |   |           |  |          |     |                              |        |                             |            |                              |                                     |                     |            |                           |       |                            |       |                                 |       |                      |        |                        |       |
| Density:                                 | 62.29 lb/ft <sup>3</sup>   |                |       |                           |              |                              |       |          |                          |  |          |             |             |             |          |                           |         |                   |          |                         |        |                      |      |                         |       |                  |                 |       |   |           |  |          |     |                              |        |                             |            |                              |                                     |                     |            |                           |       |                            |       |                                 |       |                      |        |                        |       |
| Pump speed on which pump data are based: | 3470 rpm   |                |       |                           |              |                              |       |          |                          |  |          |             |             |             |          |                           |         |                   |          |                         |        |                      |      |                         |       |                  |                 |       |   |           |  |          |     |                              |        |                             |            |                              |                                     |                     |            |                           |       |                            |       |                                 |       |                      |        |                        |       |
| Rated flow:                              | 90.3 US GPM  |                |       |                           |              |                              |       |          |                          |  |          |             |             |             |          |                           |         |                   |          |                         |        |                      |      |                         |       |                  |                 |       |   |           |  |          |     |                              |        |                             |            |                              |                                     |                     |            |                           |       |                            |       |                                 |       |                      |        |                        |       |
| Rated head:                              | 300.9 ft   |                |       |                           |              |                              |       |          |                          |  |          |             |             |             |          |                           |         |                   |          |                         |        |                      |      |                         |       |                  |                 |       |   |           |  |          |     |                              |        |                             |            |                              |                                     |                     |            |                           |       |                            |       |                                 |       |                      |        |                        |       |
| Actual impeller diameter:                | 4.13 in  |                |       |                           |              |                              |       |          |                          |  |          |             |             |             |          |                           |         |                   |          |                         |        |                      |      |                         |       |                  |                 |       |   |           |  |          |     |                              |        |                             |            |                              |                                     |                     |            |                           |       |                            |       |                                 |       |                      |        |                        |       |
| Pump orientation:                        | Vertical   |                |       |                           |              |                              |       |          |                          |  |          |             |             |             |          |                           |         |                   |          |                         |        |                      |      |                         |       |                  |                 |       |   |           |  |          |     |                              |        |                             |            |                              |                                     |                     |            |                           |       |                            |       |                                 |       |                      |        |                        |       |
| Shaft seal arrangement:                  | Single   |                |       |                           |              |                              |       |          |                          |  |          |             |             |             |          |                           |         |                   |          |                         |        |                      |      |                         |       |                  |                 |       |   |           |  |          |     |                              |        |                             |            |                              |                                     |                     |            |                           |       |                            |       |                                 |       |                      |        |                        |       |
| Code for shaft seal:                     | HQQE   |                |       |                           |              |                              |       |          |                          |  |          |             |             |             |          |                           |         |                   |          |                         |        |                      |      |                         |       |                  |                 |       |   |           |  |          |     |                              |        |                             |            |                              |                                     |                     |            |                           |       |                            |       |                                 |       |                      |        |                        |       |
| Approvals on nameplate:                  | CURUS  |                |       |                           |              |                              |       |          |                          |  |          |             |             |             |          |                           |         |                   |          |                         |        |                      |      |                         |       |                  |                 |       |   |           |  |          |     |                              |        |                             |            |                              |                                     |                     |            |                           |       |                            |       |                                 |       |                      |        |                        |       |
| Curve tolerance:                         | ISO9906:2012 3B  |                |       |                           |              |                              |       |          |                          |  |          |             |             |             |          |                           |         |                   |          |                         |        |                      |      |                         |       |                  |                 |       |   |           |  |          |     |                              |        |                             |            |                              |                                     |                     |            |                           |       |                            |       |                                 |       |                      |        |                        |       |
| Base:                                    | Cast iron<br>EN 1561 EN-GJL-200<br>ASTM A48-25B  |                |       |                           |              |                              |       |          |                          |  |          |             |             |             |          |                           |         |                   |          |                         |        |                      |      |                         |       |                  |                 |       |   |           |  |          |     |                              |        |                             |            |                              |                                     |                     |            |                           |       |                            |       |                                 |       |                      |        |                        |       |
| Impeller:                                | Stainless steel<br>EN 1.4301<br>AISI 304   |                |       |                           |              |                              |       |          |                          |  |          |             |             |             |          |                           |         |                   |          |                         |        |                      |      |                         |       |                  |                 |       |   |           |  |          |     |                              |        |                             |            |                              |                                     |                     |            |                           |       |                            |       |                                 |       |                      |        |                        |       |
| Bearing:                                 | SIC  |                |       |                           |              |                              |       |          |                          |  |          |             |             |             |          |                           |         |                   |          |                         |        |                      |      |                         |       |                  |                 |       |   |           |  |          |     |                              |        |                             |            |                              |                                     |                     |            |                           |       |                            |       |                                 |       |                      |        |                        |       |
| Maximum ambient temperature:             | 104 °F   |                |       |                           |              |                              |       |          |                          |  |          |             |             |             |          |                           |         |                   |          |                         |        |                      |      |                         |       |                  |                 |       |   |           |  |          |     |                              |        |                             |            |                              |                                     |                     |            |                           |       |                            |       |                                 |       |                      |        |                        |       |
| Maximum operating pressure:              | 232.06 psi   |                |       |                           |              |                              |       |          |                          |  |          |             |             |             |          |                           |         |                   |          |                         |        |                      |      |                         |       |                  |                 |       |   |           |  |          |     |                              |        |                             |            |                              |                                     |                     |            |                           |       |                            |       |                                 |       |                      |        |                        |       |
| Max pressure at stated temp:             | 232 psi / 250 °F<br>232 psi / -4 °F  |                |       |                           |              |                              |       |          |                          |  |          |             |             |             |          |                           |         |                   |          |                         |        |                      |      |                         |       |                  |                 |       |   |           |  |          |     |                              |        |                             |            |                              |                                     |                     |            |                           |       |                            |       |                                 |       |                      |        |                        |       |
| Type of connection:                      | ANSI / JIS   |                |       |                           |              |                              |       |          |                          |  |          |             |             |             |          |                           |         |                   |          |                         |        |                      |      |                         |       |                  |                 |       |   |           |  |          |     |                              |        |                             |            |                              |                                     |                     |            |                           |       |                            |       |                                 |       |                      |        |                        |       |
| Size of inlet connection:                | DN 50  |                |       |                           |              |                              |       |          |                          |  |          |             |             |             |          |                           |         |                   |          |                         |        |                      |      |                         |       |                  |                 |       |   |           |  |          |     |                              |        |                             |            |                              |                                     |                     |            |                           |       |                            |       |                                 |       |                      |        |                        |       |
| Size of outlet connection:               | DN 50  |                |       |                           |              |                              |       |          |                          |  |          |             |             |             |          |                           |         |                   |          |                         |        |                      |      |                         |       |                  |                 |       |   |           |  |          |     |                              |        |                             |            |                              |                                     |                     |            |                           |       |                            |       |                                 |       |                      |        |                        |       |
| Pressure rating for connection:          | PN 25  |                |       |                           |              |                              |       |          |                          |  |          |             |             |             |          |                           |         |                   |          |                         |        |                      |      |                         |       |                  |                 |       |   |           |  |          |     |                              |        |                             |            |                              |                                     |                     |            |                           |       |                            |       |                                 |       |                      |        |                        |       |
| Flange rating inlet:                     | 300 lb   |                |       |                           |              |                              |       |          |                          |  |          |             |             |             |          |                           |         |                   |          |                         |        |                      |      |                         |       |                  |                 |       |   |           |  |          |     |                              |        |                             |            |                              |                                     |                     |            |                           |       |                            |       |                                 |       |                      |        |                        |       |
| Flange size for motor:                   | 254TC  |                |       |                           |              |                              |       |          |                          |  |          |             |             |             |          |                           |         |                   |          |                         |        |                      |      |                         |       |                  |                 |       |   |           |  |          |     |                              |        |                             |            |                              |                                     |                     |            |                           |       |                            |       |                                 |       |                      |        |                        |       |



Company name:

Created by:

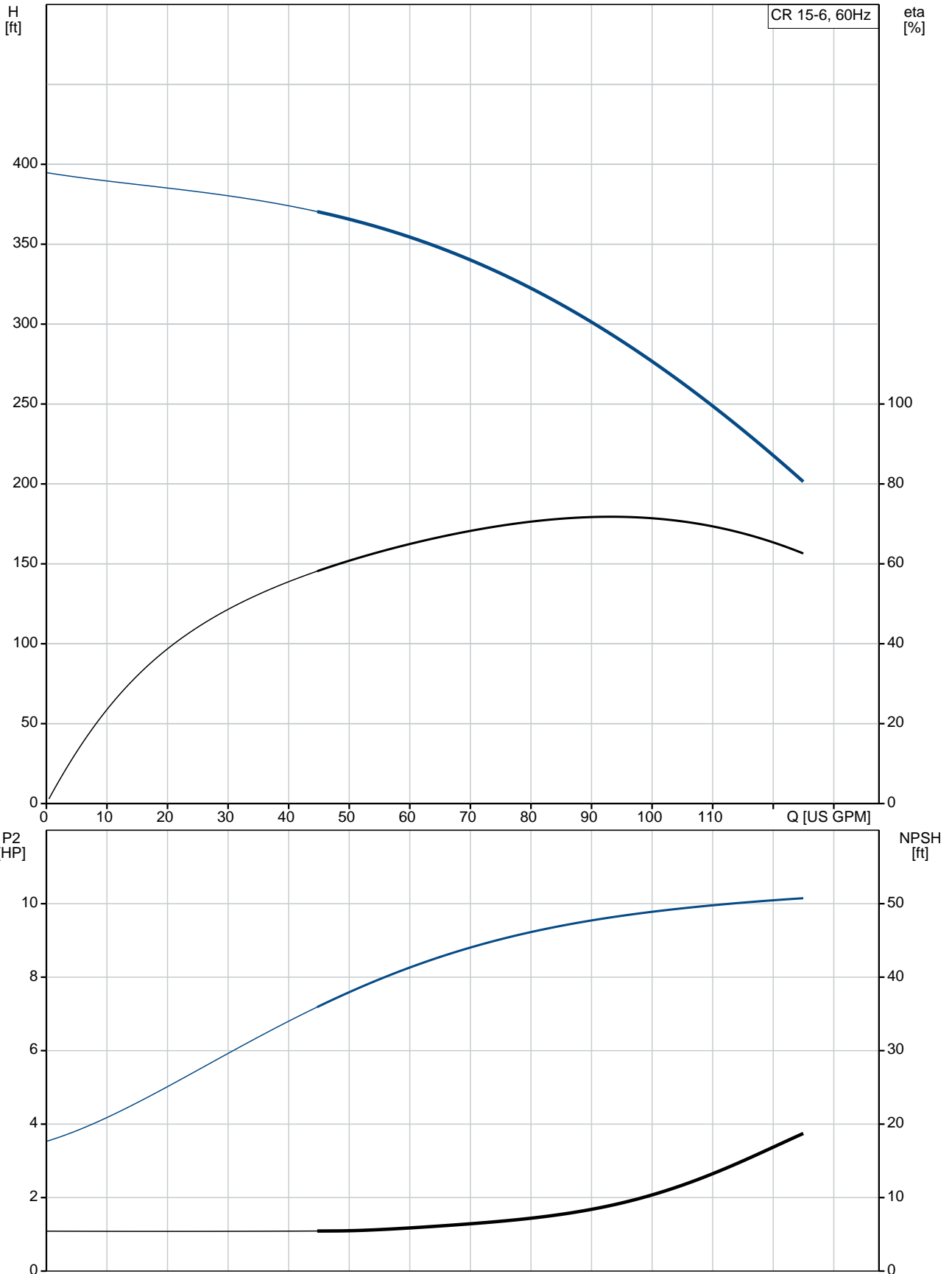
Phone:

Date:

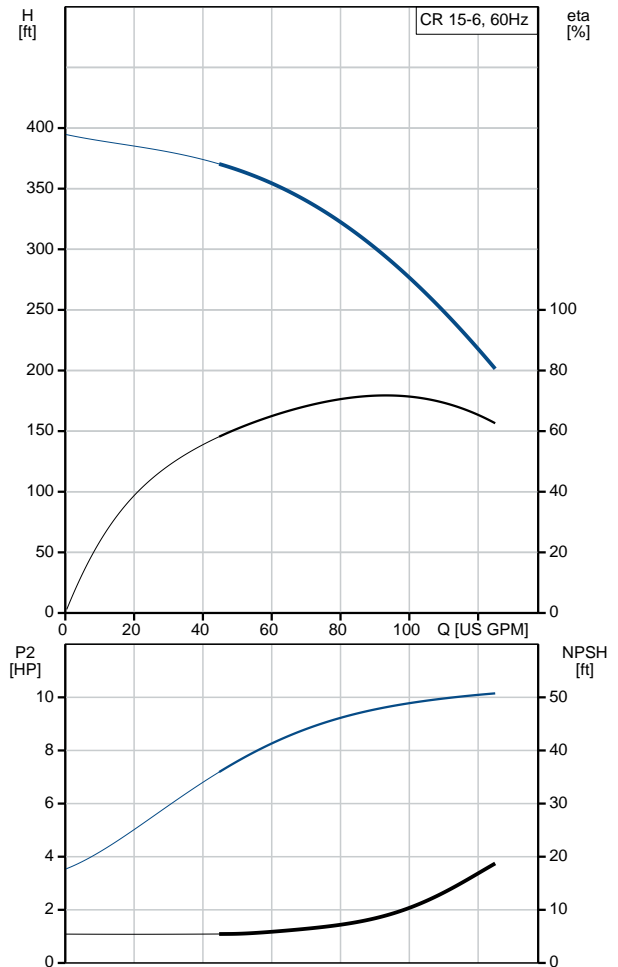
27/04/2020

| Qty. | Description                             |
|------|---|
|      | Motor standard: NEMA                    |
|      | Motor type: BALDOR                      |
|      | IE Efficiency class: IE3 / NEMA Premium |
|      | Rated power - P2: 15 HP                 |
|      | Power (P2) required by pump: 15 HP      |
|      | Mains frequency: 60 Hz                  |
|      | Rated voltage: 3 x 208-230/460 V        |
|      | Service factor: 1.15                    |
|      | Rated current: 36-35/17.5 A             |
|      | Rated speed: 3475 rpm                   |
|      | Number of poles: 2                      |
|      | Enclosure class (IEC 34-5): IP23        |
|      | Insulation class (IEC 85): F            |
|      | Motor No: 84Z00H19                      |
|      | <b>Controls:</b>                        |
|      | Frequency converter: NONE               |
|      | <b>Others:</b>                          |
|      | DOE Pump Energy Index CL: 0.91          |
|      | Net weight: 221 lb                      |
|      | Gross weight: 240 lb                    |
|      | Shipping volume: 13.1 ft <sup>3</sup>   |

## 98144134 CR 15-6 A-GJ-A-E-HQQE 60 Hz



| Description                              | Value   |
|--|---|
| <b>General information:</b>              |   |
| Product name:                            | CR 15-6<br>A-GJ-A-E-HQQE                        |
| Product No:                              | 98144134  |
| EAN number:                              | 5711490421217<br>5711490421217                  |
| <b>Technical:</b>                        |   |
| Pump speed on which pump data are based: | 3470 rpm  |
| Rated flow:                              | 90.3 US GPM                                     |
| Rated head:                              | 300.9 ft  |
| Maximum head:                            | 393.7 ft  |
| Actual impeller diameter:                | 4.13 in   |
| Stages:                                  | 6   |
| Impellers:                               | 6   |
| Number of reduced-diameter impellers:    | 0   |
| Low NPSH:                                | N   |
| Pump orientation:                        | Vertical  |
| Shaft seal arrangement:                  | Single  |
| Code for shaft seal:                     | HQQE  |
| Approvals on nameplate:                  | CURUS   |
| Curve tolerance:                         | ISO9906:2012 3B                                 |
| Pump version:                            | A   |
| Model:                                   | A   |
| Cooling:                                 | ODP   |
| <b>Materials:</b>                        |   |
| Base:                                    | Cast iron<br>EN 1561 EN-GJL-200<br>ASTM A48-25B |
| Impeller:                                | Stainless steel<br>EN 1.4301<br>AISI 304        |
| Material code:                           | A   |
| Code for rubber:                         | E   |
| Bearing:                                 | SIC   |
| <b>Installation:</b>                     |   |
| Maximum ambient temperature:             | 104 °F  |
| Maximum operating pressure:              | 232.06 psi                                      |
| Max pressure at stated temp:             | 232 psi / 250 °F<br>232 psi / -4 °F             |
| Type of connection:                      | ANSI / JIS                                      |
| Size of inlet connection:                | DN 50   |
| Size of outlet connection:               | DN 50   |
| Pressure rating for connection:          | PN 25   |
| Flange rating inlet:                     | 300 lb  |
| Flange size for motor:                   | 254TC   |
| Connect code:                            | GJ  |
| <b>Liquid:</b>                           |   |
| Pumped liquid:                           | Water   |
| Liquid temperature range:                | -4 .. 248 °F                                    |
| Selected liquid temperature:             | 68 °F   |
| Density:                                 | 62.29 lb/ft³                                    |
| <b>Electrical data:</b>                  |   |
| Motor standard:                          | NEMA  |
| Motor type:                              | BALDOR  |
| IE Efficiency class:                     | IE3 / NEMA Premium                              |
| Rated power - P2:                        | 15 HP   |
| Power (P2) required by pump:             | 15 HP   |
| Mains frequency:                         | 60 Hz   |





Company name:

Created by:

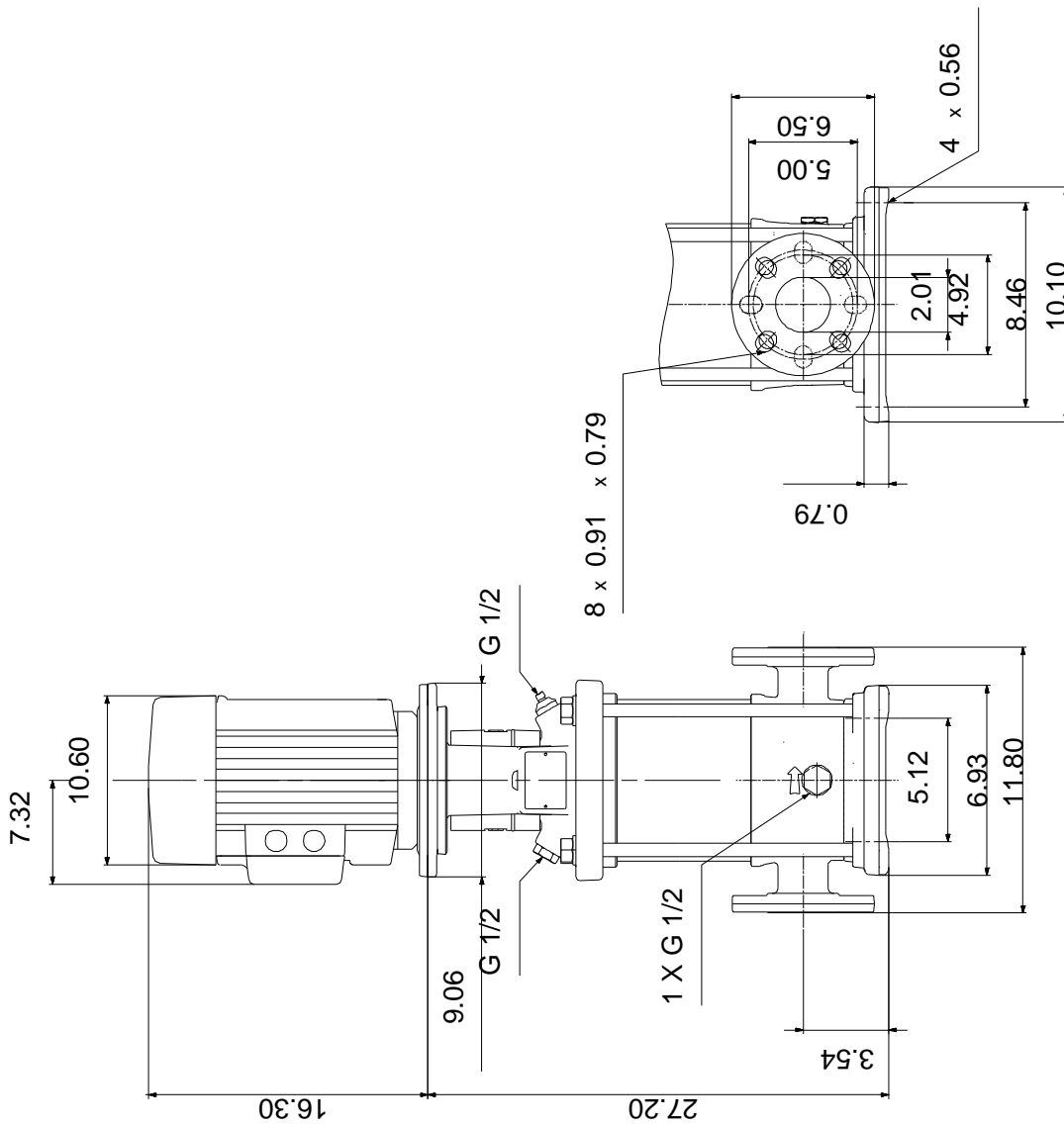
Phone:

Date:

27/04/2020

| Description                 | Value                |
|-----------------------------|----------------------|
| Rated voltage:              | 3 x 208-230/460 V    |
| Service factor:             | 1.15                 |
| Rated current:              | 36-35/17.5 A         |
| Load current:               | 42-39.2/19.6 A       |
| Rated speed:                | 3475 rpm             |
| Number of poles:            | 2                    |
| Enclosure class (IEC 34-5): | IP23                 |
| Insulation class (IEC 85):  | F                    |
| Motor protec:               | NONE                 |
| Motor No:                   | 84Z00H19             |
| <b>Controls:</b>            |                      |
| Frequency converter:        | NONE                 |
| <b>Others:</b>              |                      |
| DOE Pump Energy Index CL:   | 0.91                 |
| Net weight:                 | 221 lb               |
| Gross weight:               | 240 lb               |
| Shipping volume:            | 13.1 ft <sup>3</sup> |

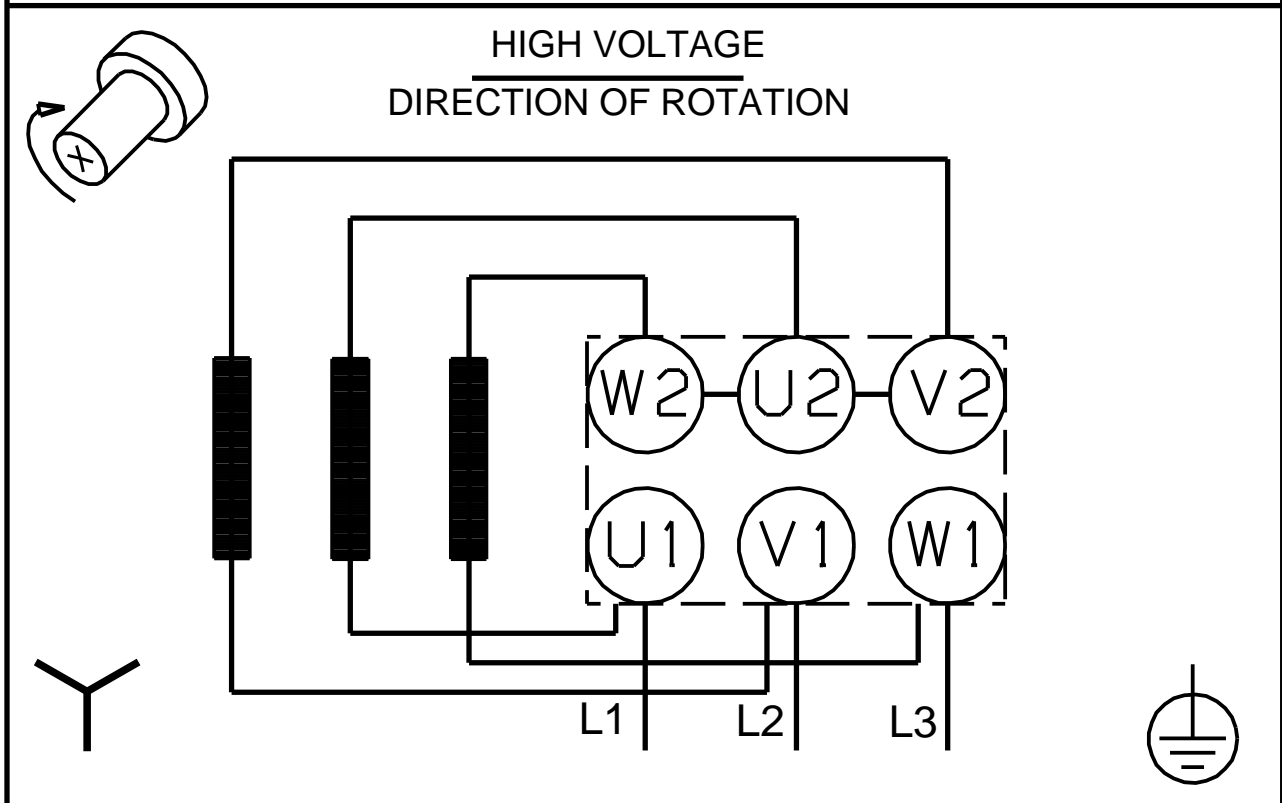
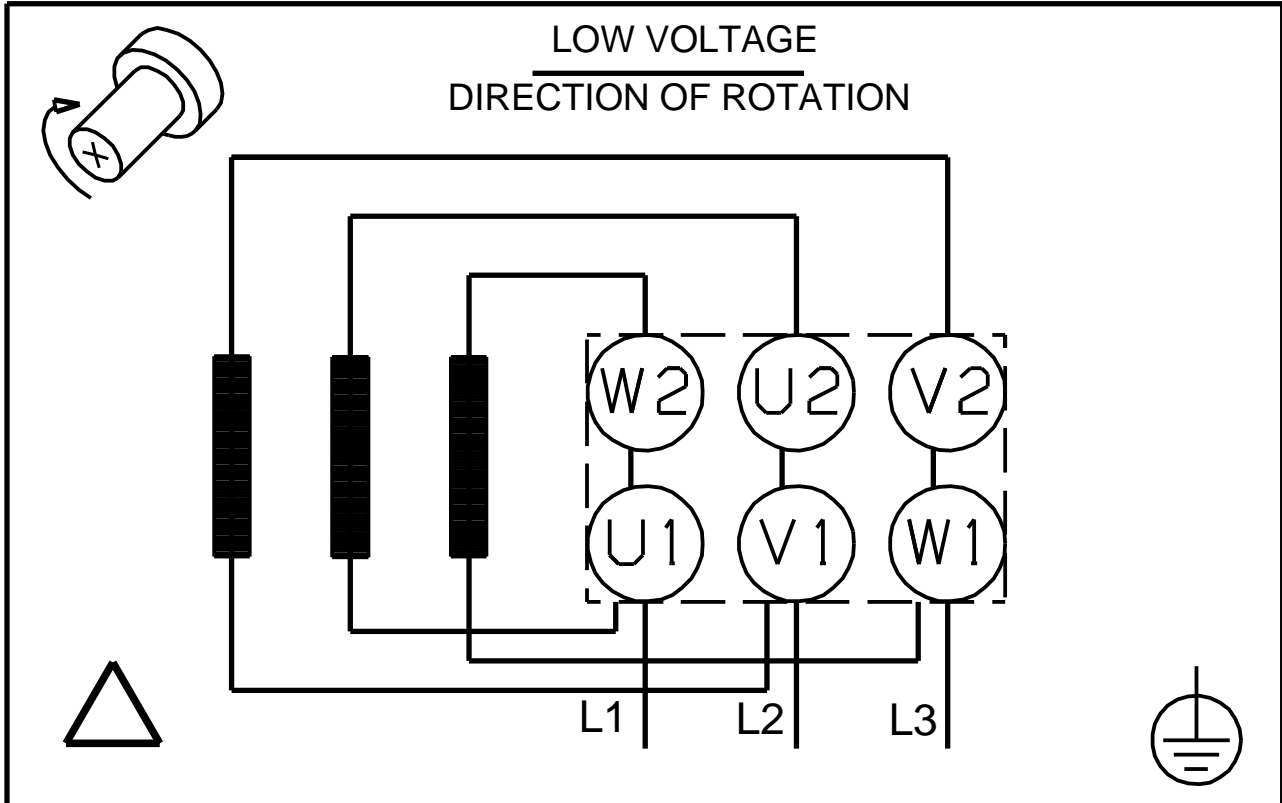
**98144134 CR 15-6 A-GJ-A-E-HQQE 60 Hz**



Note! All units are in [in] unless others are stated.  
Disclaimer: This simplified dimensional drawing does not show all details.



## 98144134 CR 15-6 A-GJ-A-E-HQQE 60 Hz



Note! All units are in [in] unless others are stated.