

PROJECT: _____	UNIT TAG: _____	QUANTITY: _____
REPRESENTATIVE: _____	TYPE OF SERVICE: _____	DATE: _____
ENGINEER: _____	SUBMITTED BY: _____	DATE: _____
CONTRACTOR: _____	APPROVED BY: _____	DATE: _____
	ORDER NO.: _____	DATE: _____

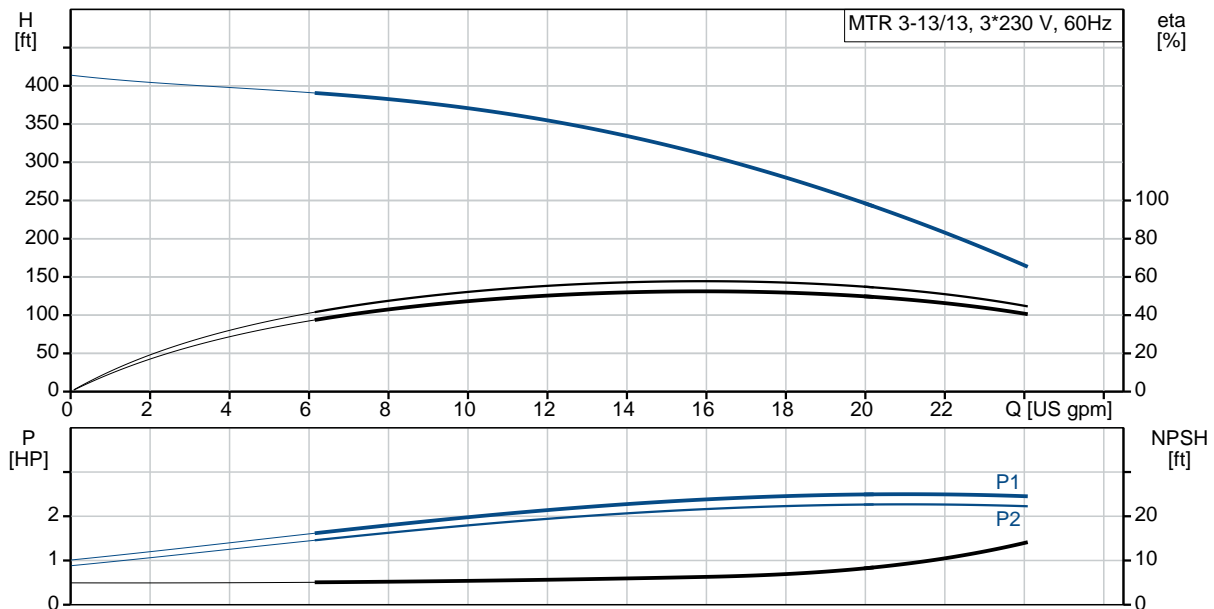
### MTR 3-13/13 A-WB-A-HUUV

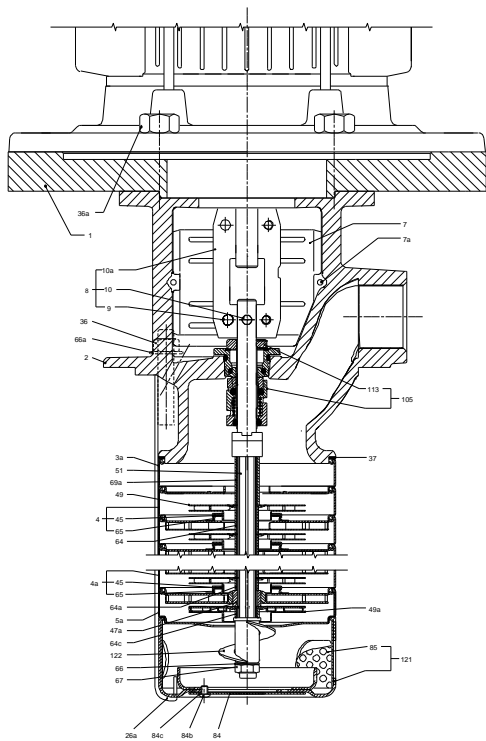
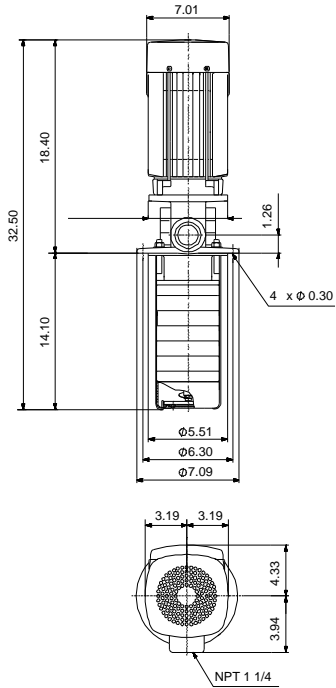
Coolant and condensate pumps



Product photo could vary from the actual product


Conditions of Service	Pump Data	Motor Data
Flow: _____	Max pressure at stated temperature: 363 psi / 194 °F	Rated power - P2: 3 HP
Head: _____	Liquid temperature range: 14 .. 194 °F	Rated voltage: 208-230YY/460Y V
Efficiency: _____	Maximum ambient temperature: 104 °F	Main frequency: 60 Hz
Liquid: Water	Shaft seal: HUUV	Enclosure class: 55 Dust/Jetting
Temperature: 68 °F	Product number: 96515421	Insulation class: F
NPSH required: ft		Motor protection: NONE
Viscosity: _____		Motor type: 90HA
Specific Gravity: 1.000		Motor_efficiency: 86.5 %





**Materials:**

Impeller: Stainless steel  
 AISI 304  
 EN 1.4301  
 Material code: A

Count	Description
1	<p data-bbox="298 415 618 445"><b>MTR 3-13/13 A-WB-A-HUUV</b></p> <div data-bbox="451 451 527 697" style="text-align: center;">  </div> <p data-bbox="298 735 558 764">Product No.: <a href="#">96515421</a></p> <p data-bbox="298 793 1260 848">Multistage, immersible, self-priming, centrifugal pump for vertical installation in tanks etc. The pump head and base are in cast iron – all other wetted parts are in stainless steel.</p> <p data-bbox="298 852 769 882">The pump has the following characteristics:</p> <ul data-bbox="337 884 1224 999" style="list-style-type: none"> <li>• Dimensions according to DIN 5440.</li> <li>• Impellers, intermediate chambers and spline shaft are made of Stainless steel.</li> <li>• Mechanical shaft seal according to EN 12756.</li> <li>• Power transmission via sintered metal split coupling.</li> </ul> <p data-bbox="298 1031 1276 1085">A cartridge shaft seal ensures high reliability, safe handling, and easy access and service. The pump is fitted with a 3-phase, fan-cooled asynchronous motor.</p> <p data-bbox="298 1148 561 1178">Immersion depth: 14.1 in</p> <p data-bbox="298 1209 407 1239"><b>Controls:</b></p> <p data-bbox="298 1241 732 1270">Frequency converter: NONE</p> <p data-bbox="298 1299 380 1329"><b>Liquid:</b></p> <p data-bbox="298 1331 789 1446">Pumped liquid: Water  Liquid temperature range: 14 .. 194 °F  Selected liquid temperature: 68 °F  Density: 62.29 lb/ft<sup>3</sup></p> <p data-bbox="298 1476 418 1505"><b>Technical:</b></p> <p data-bbox="298 1507 854 1740">Rated pump speed: 3461 rpm  Rated flow: 15.4 US gpm  Rated head: 308.4 ft  Chambers: 13  Drainage back to tank: N  Pump orientation: Vertical  Code for shaft seal: HUUV  Curve tolerance: ISO9906:2012 3B</p> <p data-bbox="298 1770 412 1799"><b>Materials:</b></p> <p data-bbox="298 1801 899 1885">Pump head: Cast iron  EN 1561 EN-GJL-200  ASTM A48-25B</p>



Company name:

Created by:

Phone:

Date:

8/31/2020

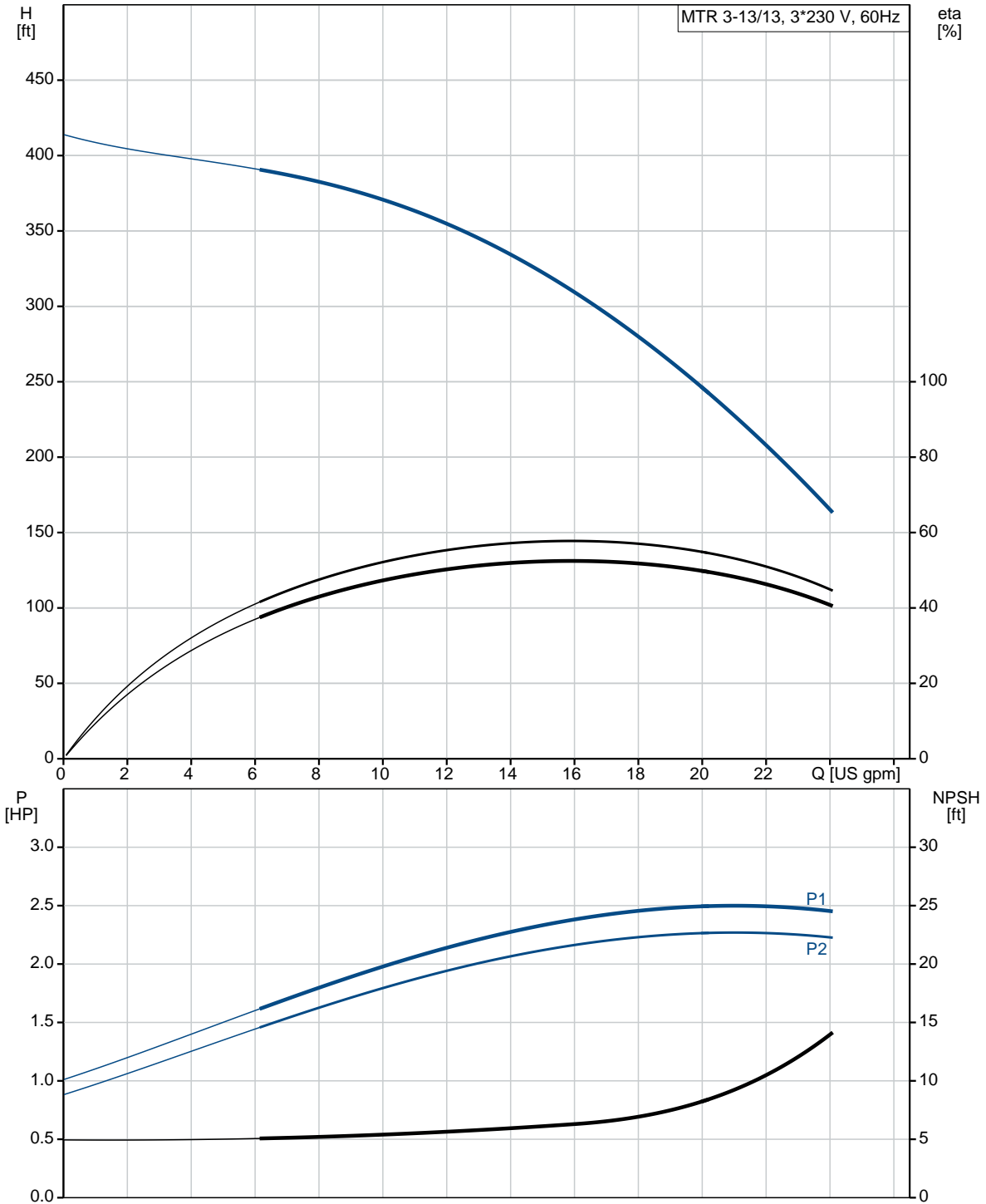
Count	Description
	Impeller: Stainless steel EN 1.4301 AISI 304
	<b>Installation:</b> Maximum ambient temperature: 104 °F Maximum operating pressure: 362.59 psi Max pressure at stated temperature: 363 psi / 194 °F Type of connection: NPT(F) Size of outlet port: 1 1/4 inch Immersion depth: 14.1 in Flange size for motor: 182TC
	<b>Electrical data:</b> Motor standard: NEMA Motor type: 90HA IE Efficiency class: NEMA Premium / IE3 60Hz Rated power - P2: 3 HP Main frequency: 60 Hz Suitable for 50/60 Hz: N Rated voltage: 3 x 208-230YY/460Y V Service factor: 1.15 Rated current: 8,50-8,20/4,10 A Starting current: 850-970 % Cos phi - power factor: 0.85-0.82 Rated speed: 3500-3520 rpm IE efficiency: IE3 86,5% Motor efficiency at full load: 86.5 % Motor efficiency at 3/4 load: 89.4 % Motor efficiency at 1/2 load: 89.0 % Number of poles: 2 Enclosure class (IEC 34-5): 55 Dust/Jetting Insulation class (IEC 85): F Motor Number: 99605947
	<b>Others:</b> Terminal box position: 6 Minimum efficiency index, MEI: 0.70 Net weight: 74.4 lb Gross weight: 81.5 lb Shipping volume: 4.94 ft³ Country of origin: US Custom tariff no.: 8413.70.2040



Company name:  
Created by:  
Phone:

Date: 8/31/2020

### 96515421 MTR 3-13/13 A-WB-A-HUUV 60 Hz

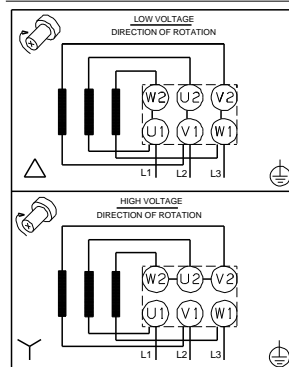
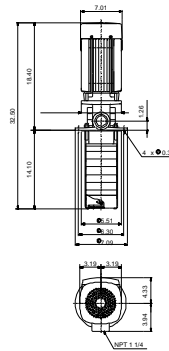
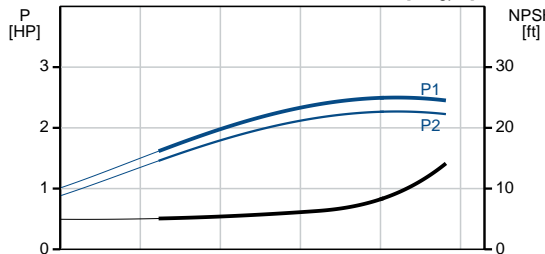
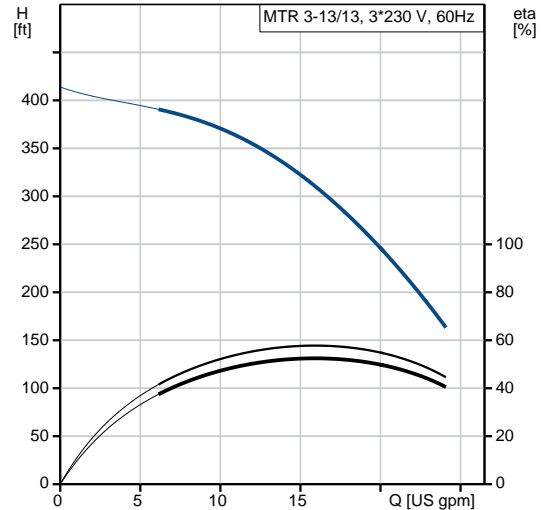




Company name:  
Created by:  
Phone:

Date: 8/31/2020

Description	Value
<b>General information:</b>	
Product name:	MTR 3-13/13 A-WB-A-HUUV
Product No.:	96515421
EAN:	5700396722641 5700396722641
<b>Technical:</b>	
Rated pump speed:	3461 rpm
Rated flow:	15.4 US gpm
Rated head:	308.4 ft
Chambers:	13
Impellers:	13
Number of reduced-diameter impellers:	0
Drainage back to tank:	N
Pump orientation:	Vertical
Code for shaft seal:	HUUV
Curve tolerance:	ISO9906:2012 3B
Pump version:	A
Model:	A
<b>Materials:</b>	
Pump head:	Cast iron EN 1561 EN-GJL-200 ASTM A48-25B
Impeller:	Stainless steel EN 1.4301 AISI 304
Material code:	A
<b>Installation:</b>	
Maximum ambient temperature:	104 °F
Maximum operating pressure:	362.59 psi
Max pressure at stated temperature:	363 psi / 194 °F
Type of connection:	NPT(F)
Size of outlet port:	1 1/4 inch
Immersion depth:	14.1 in
Flange size for motor:	182TC
Connect code:	WB
<b>Liquid:</b>	
Pumped liquid:	Water
Liquid temperature range:	14 .. 194 °F
Selected liquid temperature:	68 °F
Density:	62.29 lb/ft <sup>3</sup>
<b>Electrical data:</b>	
Motor standard:	NEMA
Motor type:	90HA
IE Efficiency class:	NEMA Premium / IE3 60Hz
Rated power - P2:	3 HP





Company name:

Created by:

Phone:

Date:

8/31/2020

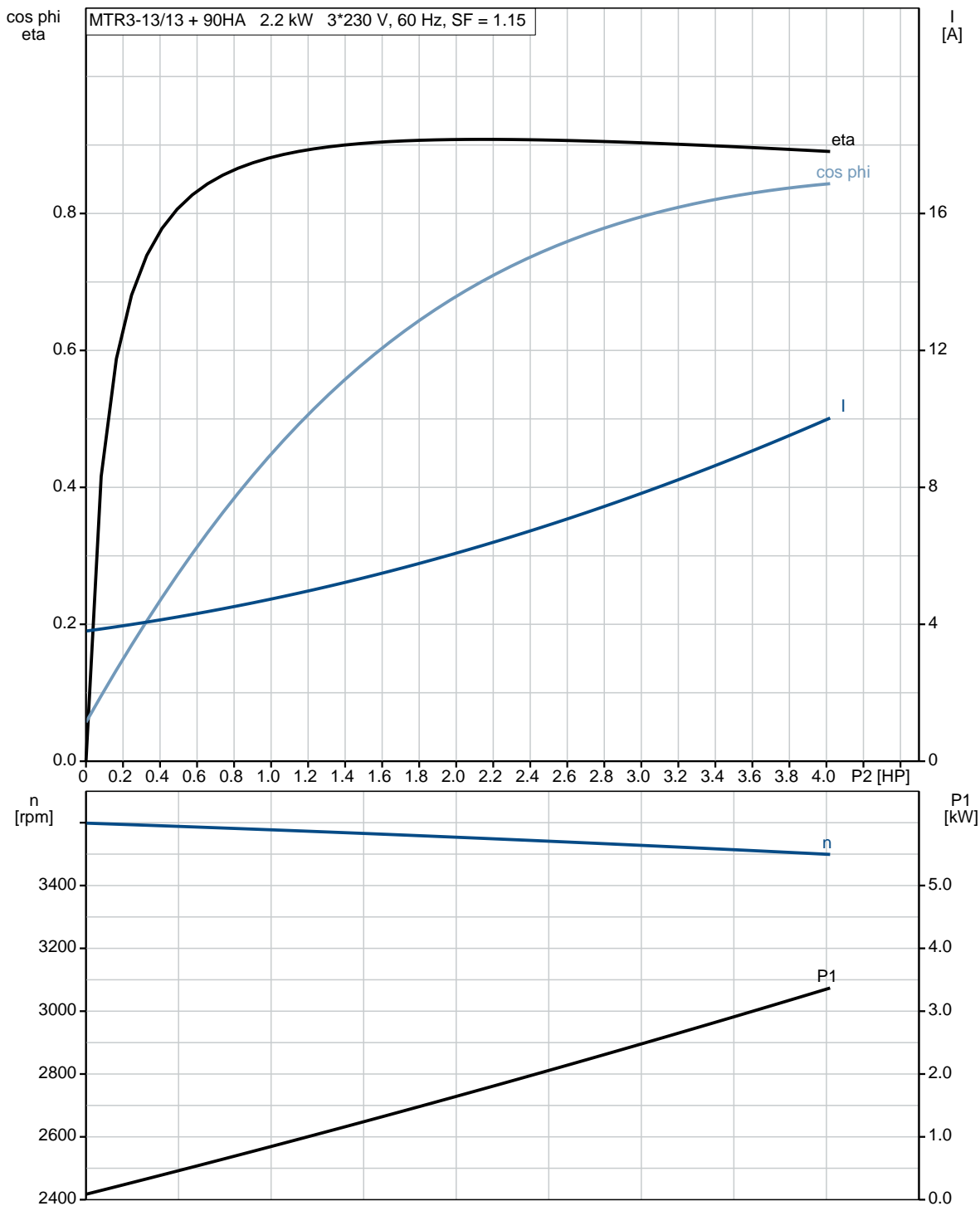
Description	Value
Main frequency:	60 Hz
Suitable for 50/60 Hz:	N
Rated voltage:	3 x 208-230YY/460Y V
Service factor:	1.15
Rated current:	8,50-8,20/4,10 A
Starting current:	850-970 %
Cos phi - power factor:	0.85-0.82
Rated speed:	3500-3520 rpm
IE efficiency:	IE3 86,5%
Motor efficiency at full load:	86.5 %
Motor efficiency at 3/4 load:	89.4 %
Motor efficiency at 1/2 load:	89.0 %
Number of poles:	2
Enclosure class (IEC 34-5):	55 Dust/Jetting
Insulation class (IEC 85):	F
Motor protection:	NONE
Motor Number:	99605947
<b>Controls:</b>	
Frequency converter:	NONE
<b>Others:</b>	
Terminal box position:	6
Minimum efficiency index, MEI â%œ¥:	0.70
Net weight:	74.4 lb
Gross weight:	81.5 lb
Shipping volume:	4.94 ft³
Sales region:	Namreg
Country of origin:	US
Custom tariff no.:	8413.70.2040



Company name:  
Created by:  
Phone:

Date: 8/31/2020

### 96515421 MTR 3-13/13 A-WB-A-HUUV 60 Hz



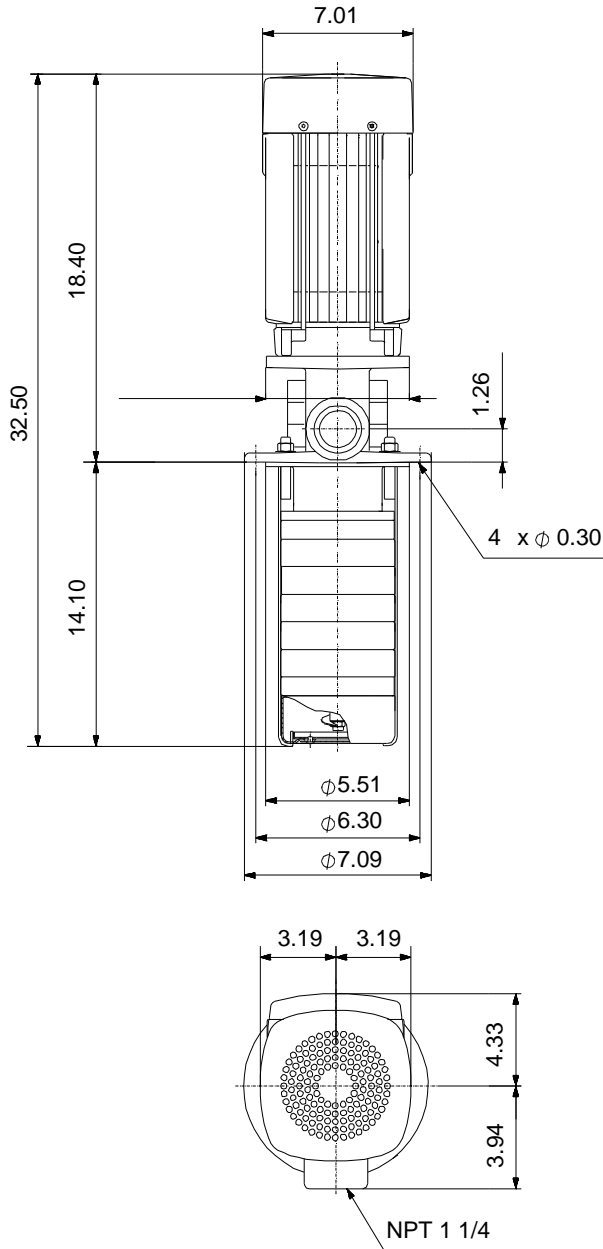




Company name:  
Created by:  
Phone:

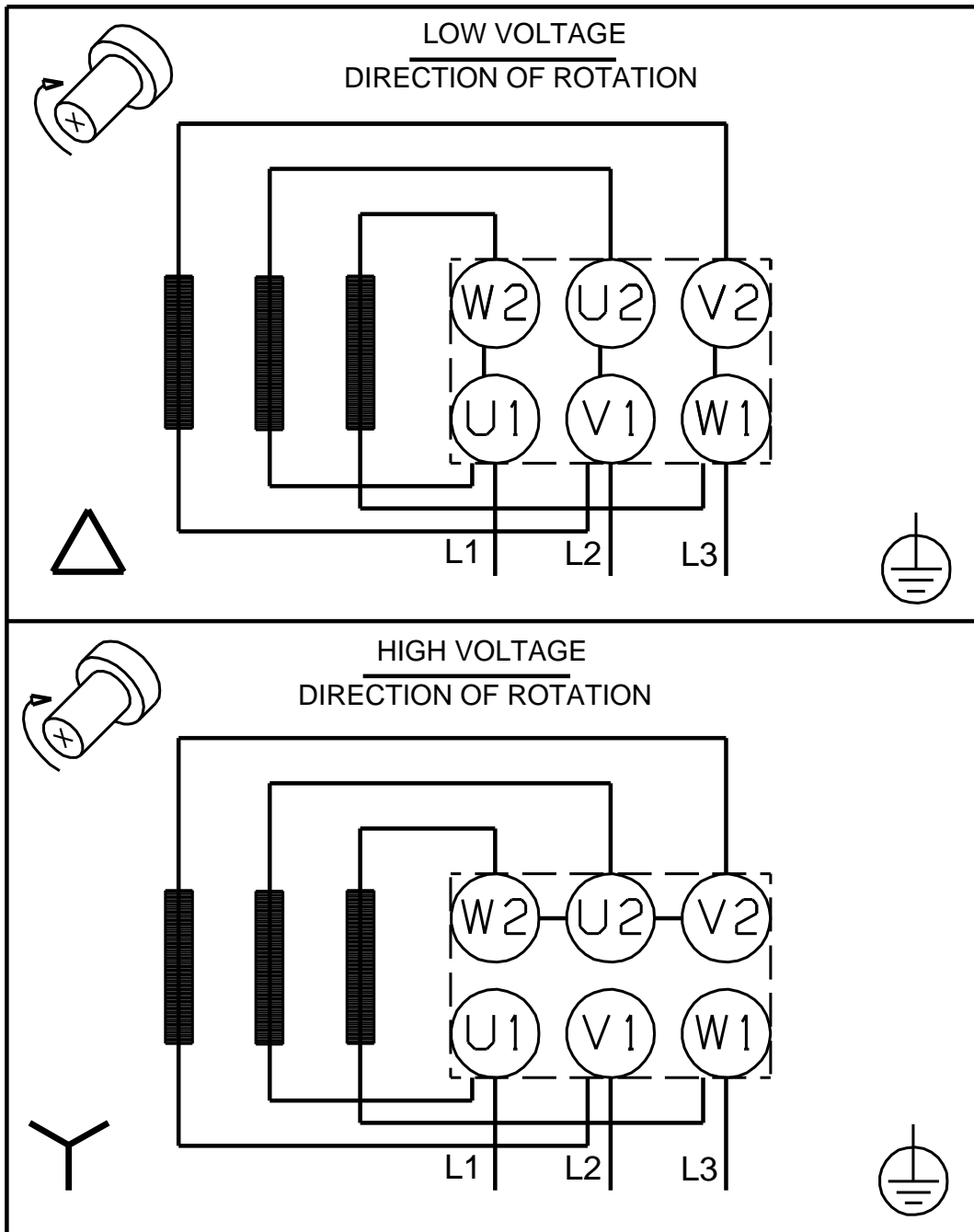
Date: 8/31/2020

### 96515421 MTR 3-13/13 A-WB-A-HUUV 60 Hz



Note! All units are in [in] unless otherwise stated.  
Disclaimer: This simplified dimensional drawing does not show all details.

## 96515421 MTR 3-13/13 A-WB-A-HUUV 60 Hz



All units are [in] unless otherwise presented.