

PROJECT: _____	UNIT TAG: _____	QUANTITY: _____
REPRESENTATIVE: _____	TYPE OF SERVICE: _____	DATE: _____
ENGINEER: _____	SUBMITTED BY: _____	DATE: _____
CONTRACTOR: _____	APPROVED BY: _____	DATE: _____
	ORDER NO.: _____	DATE: _____

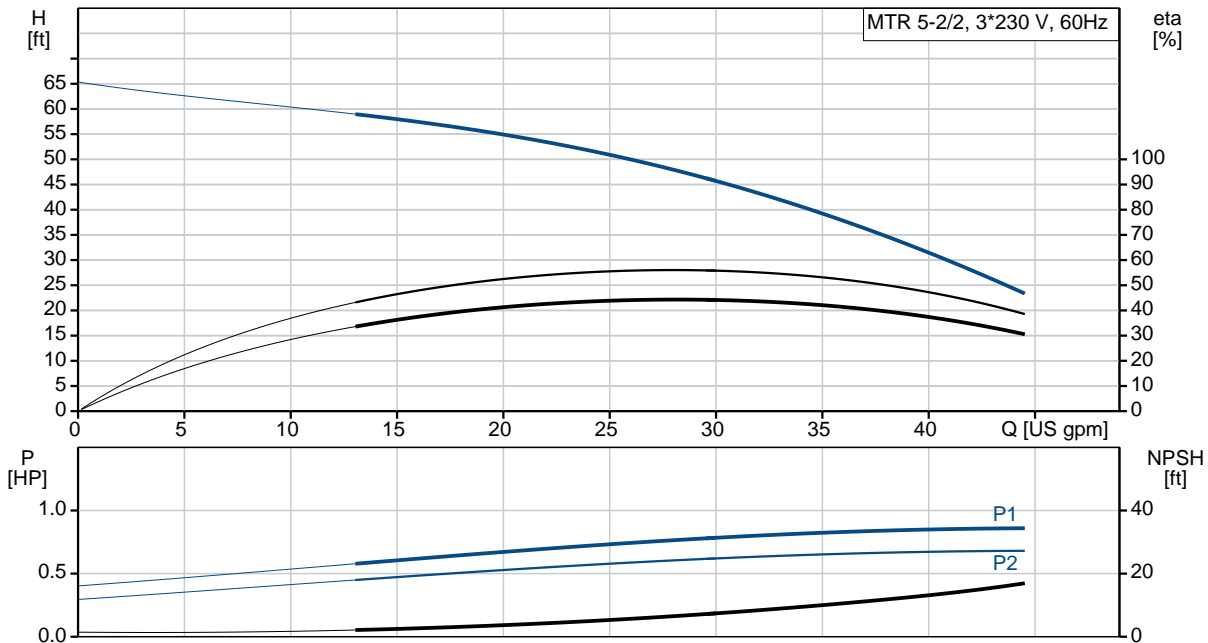
### MTR 5-2/2 A-WB-A-HUUV

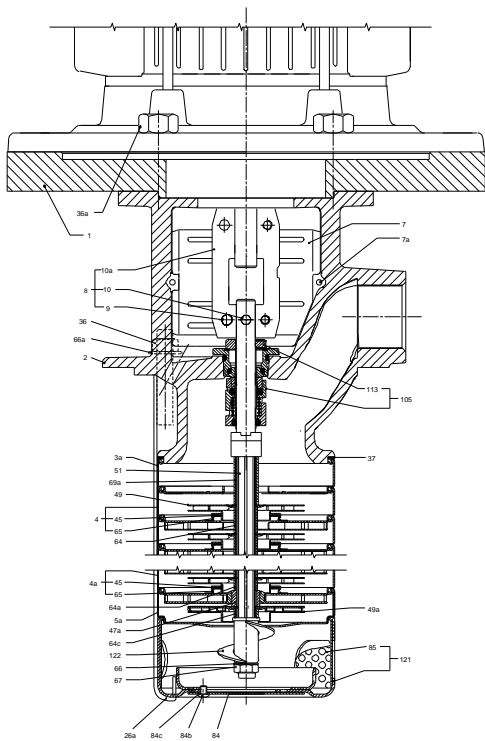
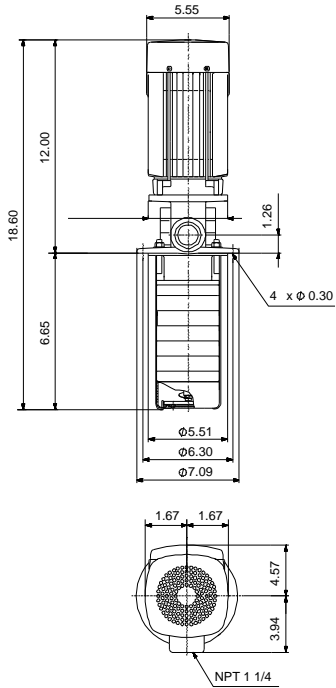
Coolant and condensate pumps



Product photo could vary from the actual product


Conditions of Service	Pump Data	Motor Data
Efficiency: _____	Max pressure at stated temperature: 363 psi / 194 °F	Rated power - P2: 0.75 HP
Liquid: Water	Liquid temperature range: 14 .. 194 °F	Rated voltage: 208-230YY/460Y V
Temperature: 68 °F	Maximum ambient temperature: 104 °F	Main frequency: 60 Hz
NPSH required: ft	Shaft seal: HUUV	Enclosure class: 55 Dust/Jetting
Specific Gravity: 1.000	Product number: 96515430	Insulation class: F
		Motor protection: NONE
		Motor type: 71BA





**Materials:**

- Impeller: Stainless steel
- Impeller: AISI 304
- Impeller: EN 1.4301
- Material code: A

Count	Description
1	<p data-bbox="298 411 594 443"><b>MTR 5-2/2 A-WB-A-HUUV</b></p> <div data-bbox="440 464 540 695" style="text-align: center;">  </div> <p data-bbox="298 730 563 762">Product No.: <a href="#">96515430</a></p> <p data-bbox="298 789 1260 848">Multistage, immersible, self-priming, centrifugal pump for vertical installation in tanks etc. The pump head and base are in cast iron – all other wetted parts are in stainless steel.</p> <p data-bbox="298 850 773 879">The pump has the following characteristics:</p> <ul data-bbox="337 882 1289 999" style="list-style-type: none"> <li>• Dimensions according to DIN 5440.</li> <li>• Impellers, intermediate chambers and spline shaft are made of {IMPELLER_MATR}.</li> <li>• Mechanical shaft seal according to EN 12756.</li> <li>• Power transmission via sintered metal split coupling.</li> </ul> <p data-bbox="298 1029 1276 1087">A cartridge shaft seal ensures high reliability, safe handling, and easy access and service. The pump is fitted with a 3-phase, fan-cooled asynchronous motor.</p> <p data-bbox="298 1146 735 1176">Immesion depth: 6.65 in</p> <p data-bbox="298 1205 732 1264">Controls: Frequency converter: NONE</p> <p data-bbox="298 1293 789 1444">Liquid: Pumped liquid: Water Liquid temperature range: 14 .. 194 °F Selected liquid temperature: 68 °F Density: 62.29 lb/ft<sup>3</sup></p> <p data-bbox="298 1474 857 1738">Technical: Rated pump speed: 3439 rpm Rated flow: 30.4 US gpm Rated head: 46.59 ft Chambers: 2 Drainage back to tank: N Pump orientation: Vertical Code for shaft seal: HUUV Curve tolerance: ISO9906:2012 3B</p> <p data-bbox="298 1768 899 1885">Materials: Pump head: Cast iron EN 1561 EN-GJL-200 ASTM A48-25B</p>



Company name:

Created by:

Phone:

Date:

9/10/2020

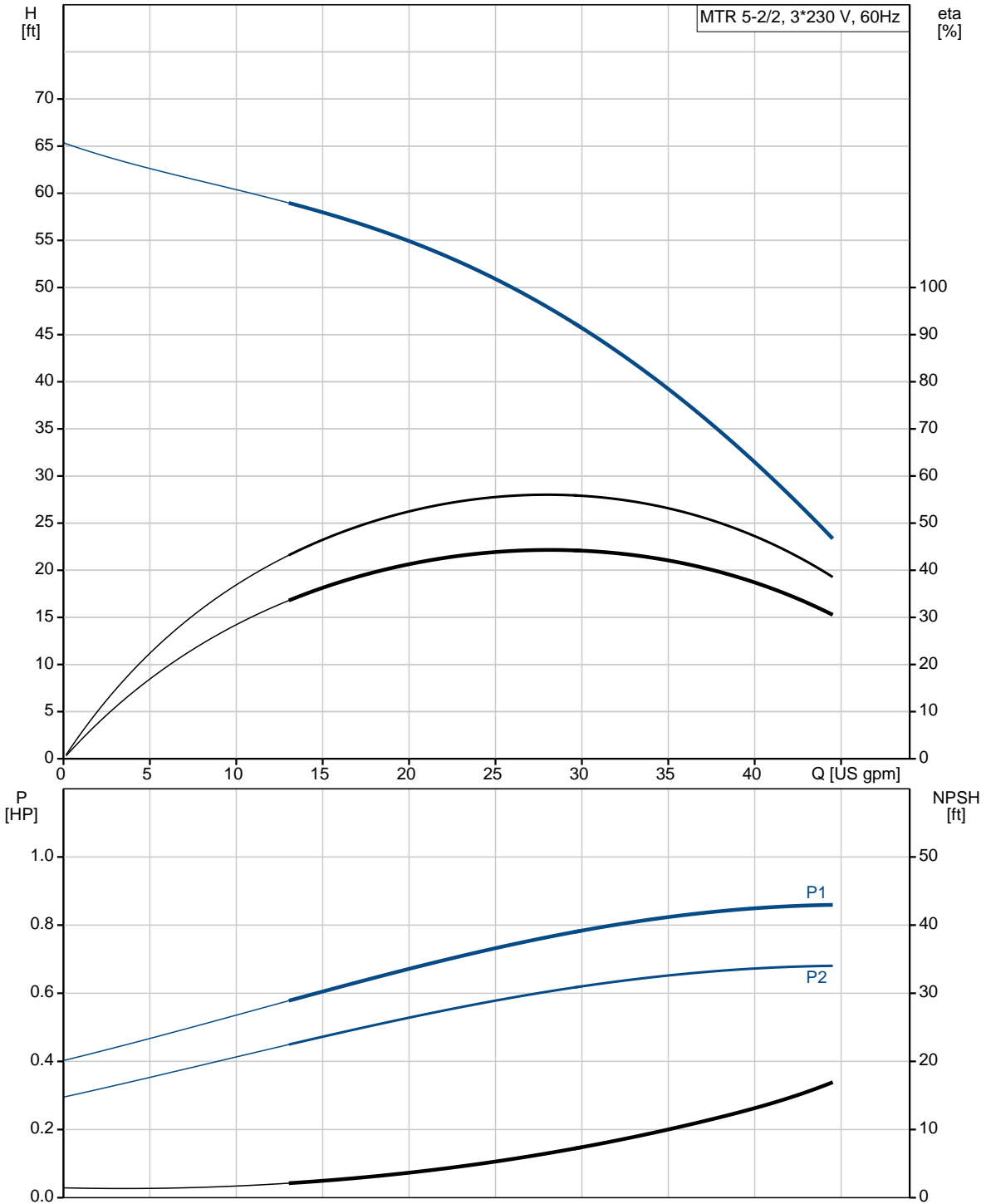
Count	Description
	Impeller: Stainless steel EN 1.4301 AISI 304
	Installation: Maximum ambient temperature: 104 °F Maximum operating pressure: 362.59 psi Max pressure at stated temperature: 363 psi / 194 °F Type of connection: NPT(F) Size of outlet port: 1 1/4 inch Immersion depth: 6.65 in Flange size for motor: 56C
	Electrical data: Motor standard: NEMA Motor type: 71BA IE Efficiency class: NEMA Premium / IE3 60Hz Rated power - P2: 0.75 HP Main frequency: 60 Hz Suitable for 50/60 Hz: N Rated voltage: 3 x 208-230YY/460Y V Service factor: 1.25 Rated current: 2,40-2,30/1,20 A Starting current: 590-650 % Cos phi - power factor: 0.84-0.78 Rated speed: 3430-3460 rpm IE efficiency: IE3 78,9% - IE3 80,1% Motor efficiency at 3/4 load: 80.1 % Motor efficiency at 1/2 load: 77.7 % Number of poles: 2 Enclosure class (IEC 34-5): 55 Dust/Jetting Insulation class (IEC 85): F Motor Number: 85900702
	Others: Terminal box position: 6 Minimum efficiency index, MEI $\hat{\alpha}\% \neq$ : 0.57 Net weight: 33.2 lb Gross weight: 40.2 lb Shipping volume: 4.24 ft <sup>3</sup> Country of origin: GB Custom tariff no.: 8413.70.2040



Company name:  
Created by:  
Phone:

Date: 9/10/2020

### 96515430 MTR 5-2/2 A-WB-A-HUUV 60 Hz

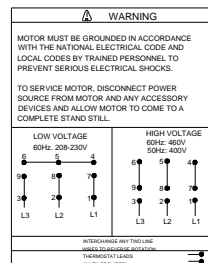
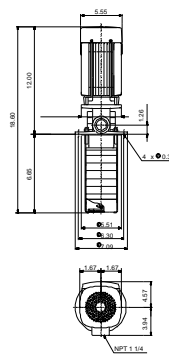
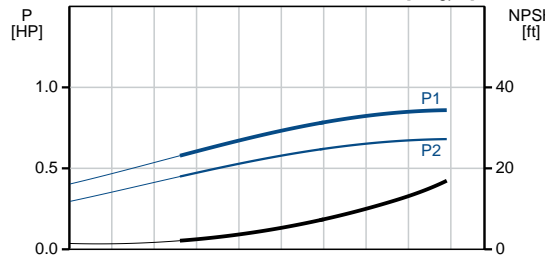
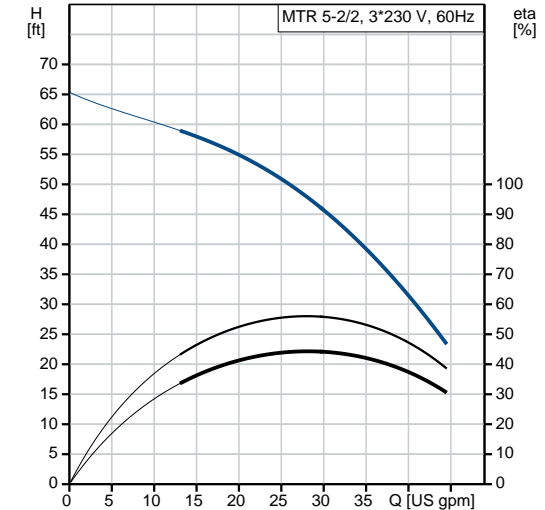




Company name:  
Created by:  
Phone:

Date: 9/10/2020

Description	Value
<b>General information:</b>	
Product name:	MTR 5-2/2 A-WB-A-HUUV
Product No.:	96515430
EAN:	5700396722733
Price:	
<b>Technical:</b>	
Rated pump speed:	3439 rpm
Rated flow:	30.4 US gpm
Rated head:	46.59 ft
Chambers:	2
Impellers:	2
Number of reduced-diameter impellers:	0
Drainage back to tank:	N
Pump orientation:	Vertical
Code for shaft seal:	HUUV
Curve tolerance:	ISO9906:2012 3B
Pump version:	A
Model:	A
<b>Materials:</b>	
Pump head:	Cast iron
Pump head:	EN 1561 EN-GJL-200
Pump head:	ASTM A48-25B
Impeller:	Stainless steel
Impeller:	EN 1.4301
Impeller:	AISI 304
Material code:	A
<b>Installation:</b>	
Maximum ambient temperature:	104 °F
Maximum operating pressure:	362.59 psi
Max pressure at stated temperature:	363 psi / 194 °F
Type of connection:	NPT(F)
Size of outlet port:	1 1/4 inch
Immersion depth:	6.65 in
Flange size for motor:	56C
Connect code:	WB
<b>Liquid:</b>	
Pumped liquid:	Water
Liquid temperature range:	14 .. 194 °F
Selected liquid temperature:	68 °F
Density:	62.29 lb/ft³
<b>Electrical data:</b>	
Motor standard:	NEMA
Motor type:	71BA
IE Efficiency class:	NEMA Premium / IE3 60Hz
Rated power - P2:	0.75 HP





Company name:

Created by:

Phone:

Date:

9/10/2020

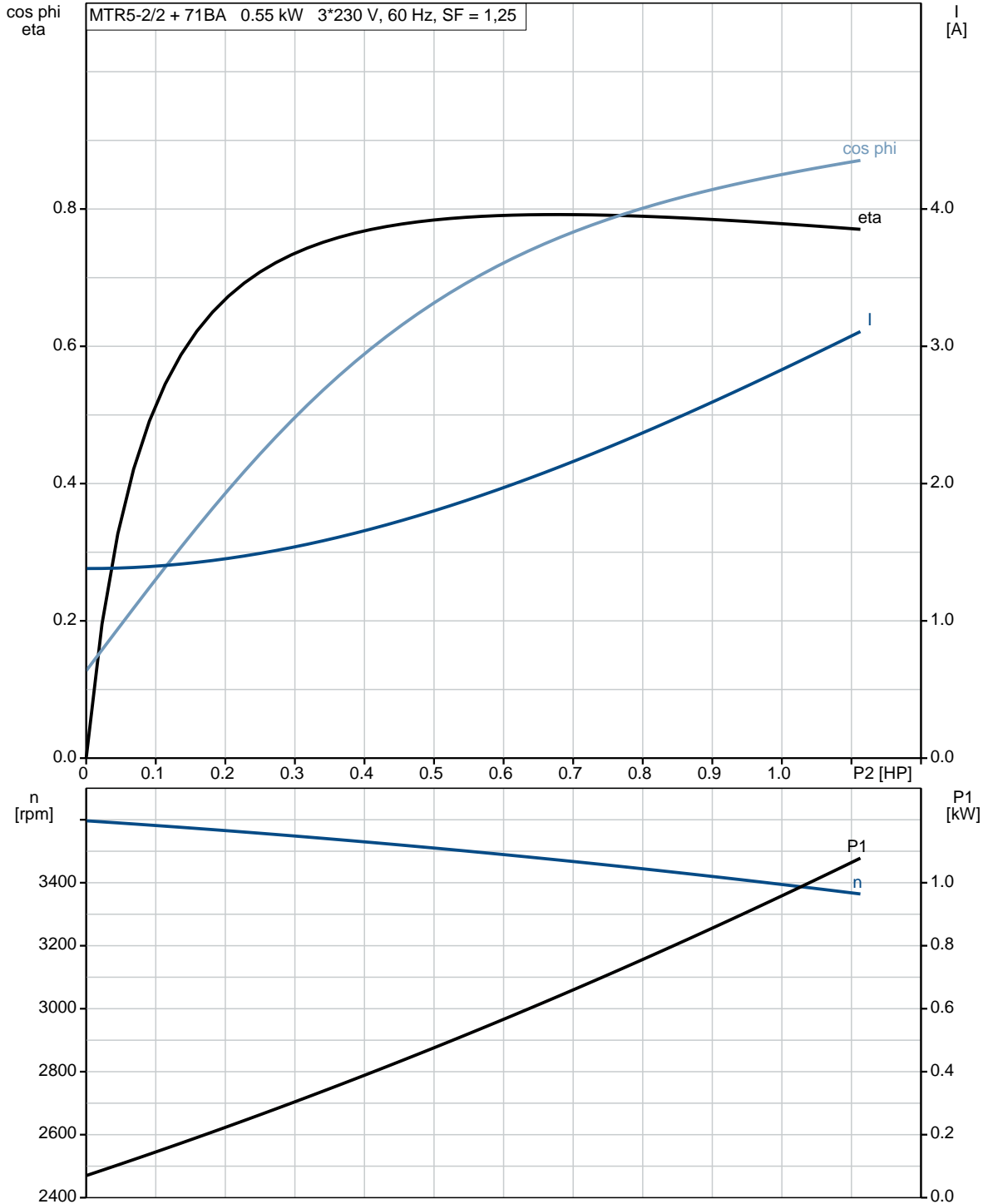
Description	Value
Main frequency:	60 Hz
Suitable for 50/60 Hz:	N
Rated voltage:	3 x 208-230YY/460Y V
Service factor:	1.25
Rated current:	2,40-2,30/1,20 A
Starting current:	590-650 %
Cos phi - power factor:	0.84-0.78
Rated speed:	3430-3460 rpm
IE efficiency:	IE3 78,9% - IE3 80,1%
Motor efficiency at 3/4 load:	80.1 %
Motor efficiency at 1/2 load:	77.7 %
Number of poles:	2
Enclosure class (IEC 34-5):	55 Dust/Jetting
Insulation class (IEC 85):	F
Motor protection:	NONE
Motor Number:	85900702
<b>Controls:</b>	
Frequency converter:	NONE
<b>Others:</b>	
Terminal box position:	6
Minimum efficiency index, MEI â%œ€:	0.57
Net weight:	33.2 lb
Gross weight:	40.2 lb
Shipping volume:	4.24 ft³
Sales region:	Namreg
Country of origin:	GB
Custom tariff no.:	8413.70.2040



Company name:  
Created by:  
Phone:

Date: 9/10/2020

### 96515430 MTR 5-2/2 A-WB-A-HUUV 60 Hz



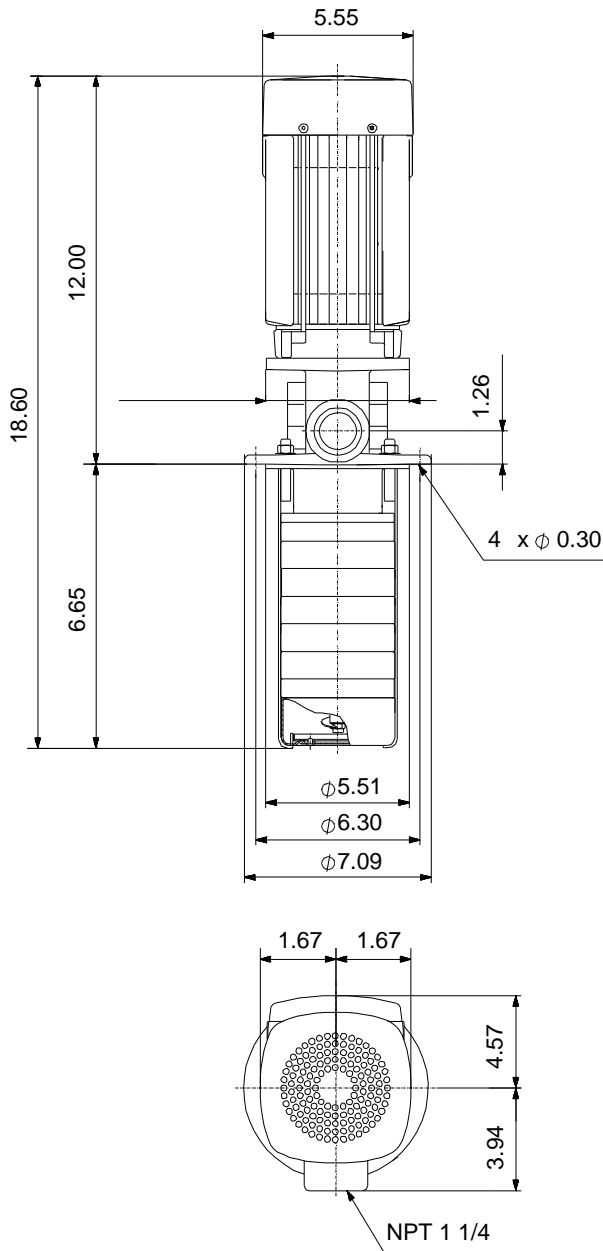




Company name:  
Created by:  
Phone:

Date: 9/10/2020

### 96515430 MTR 5-2/2 A-WB-A-HUUV 60 Hz



Note! All units are in [in] unless otherwise stated.  
Disclaimer: This simplified dimensional drawing does not show all details.



Company name:  
Created by:  
Phone:

Date: 9/10/2020

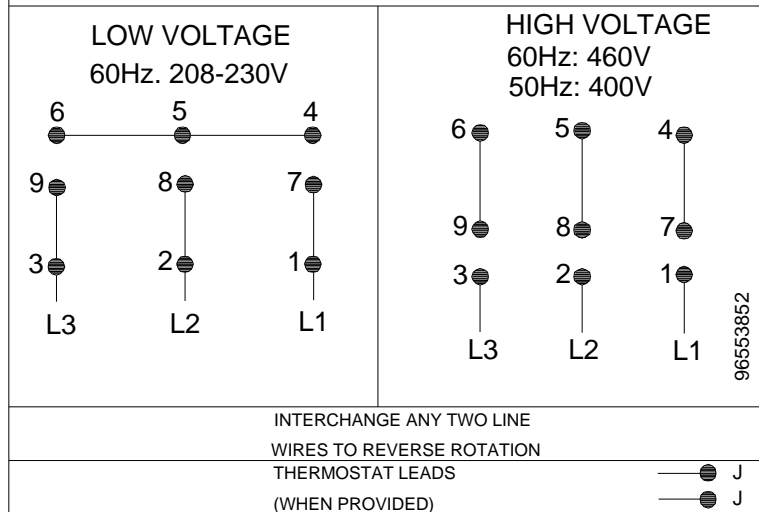
## 96515430 MTR 5-2/2 A-WB-A-HUUV 60 Hz



### WARNING

MOTOR MUST BE GROUNDED IN ACCORDANCE WITH THE NATIONAL ELECTRICAL CODE AND LOCAL CODES BY TRAINED PERSONNEL TO PREVENT SERIOUS ELECTRICAL SHOCKS.

TO SERVICE MOTOR, DISCONNECT POWER SOURCE FROM MOTOR AND ANY ACCESSORY DEVICES AND ALLOW MOTOR TO COME TO A COMPLETE STAND STILL.



All units are [in] unless otherwise presented.