

PROJECT: _____	UNIT TAG: _____	QUANTITY: _____
REPRESENTATIVE: _____	TYPE OF SERVICE: _____	DATE: _____
ENGINEER: _____	SUBMITTED BY: _____	DATE: _____
CONTRACTOR: _____	APPROVED BY: _____	DATE: _____
	ORDER NO.: _____	DATE: _____

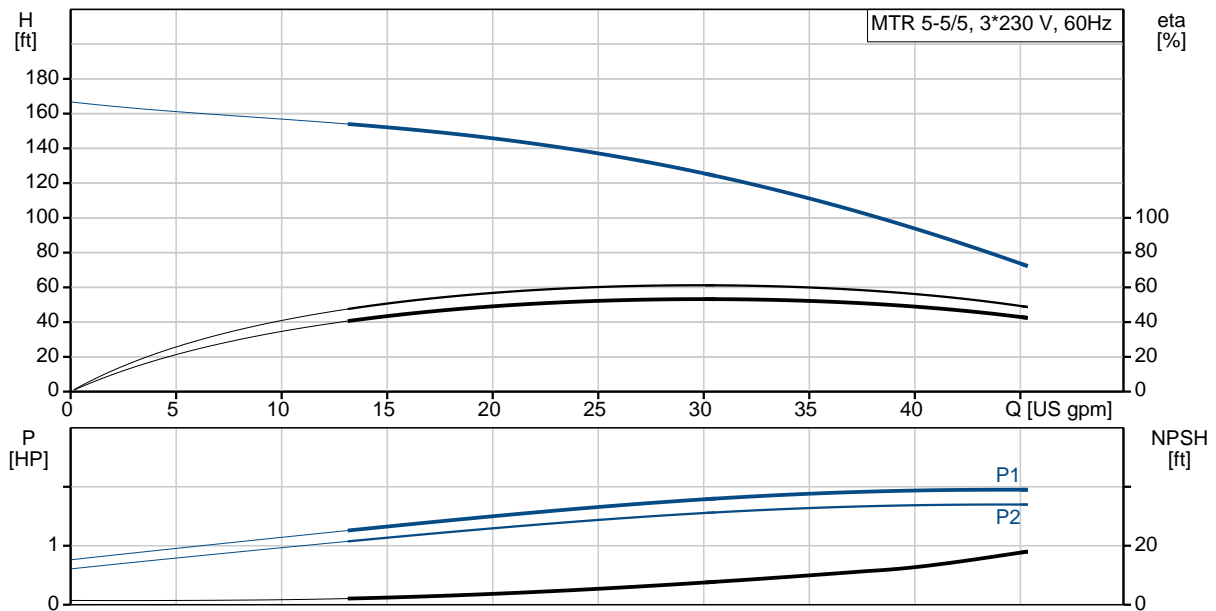
MTR 5-5/5 A-WB-A-HUUV

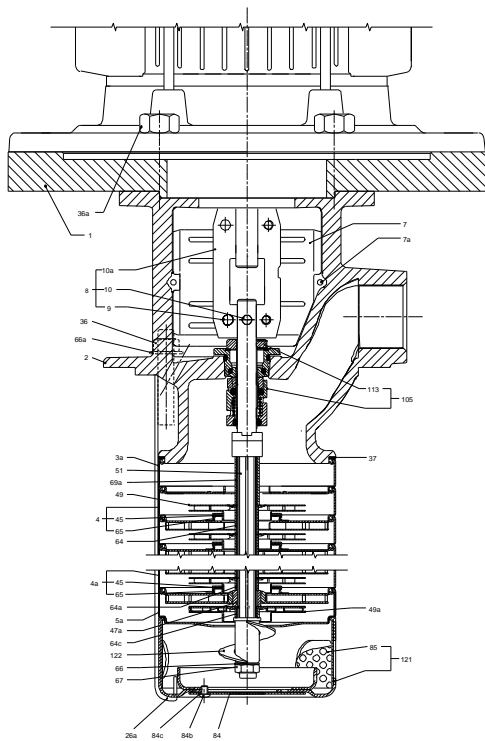
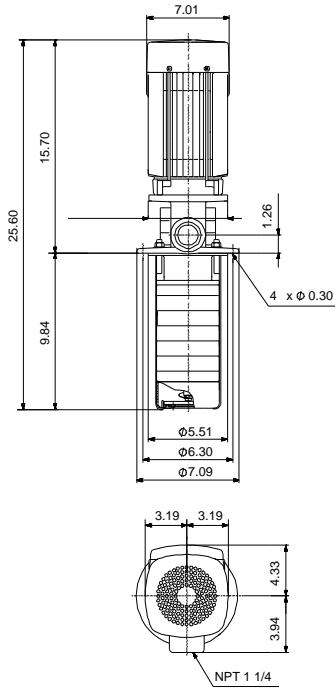
Coolant and condensate pumps



Product photo could vary from the actual product


Conditions of Service	Pump Data	Motor Data
Efficiency: _____	Max pressure at stated temperature: 363 psi / 194 °F	Rated power - P2: 2 HP
Liquid: Water	Liquid temperature range: 14 .. 194 °F	Rated voltage: 208-230YY/460Y V
Temperature: 68 °F	Maximum ambient temperature: 140 °F	Main frequency: 60 Hz
NPSH required: ft	Shaft seal: HUUV	Enclosure class: 55 Dust/Jetting
Specific Gravity: 1.000	Product number: 96515433	Insulation class: F
		Motor protection: NONE
		Motor type: 90GB
		Eff. 1/1: 85.5 %





Materials:

- Impeller: Stainless steel
- Impeller: AISI 304
- Impeller: EN 1.4301
- Material code: A

Count	Description
1	<p data-bbox="298 415 592 443">MTR 5-5/5 A-WB-A-HUUV</p>  <p data-bbox="298 735 560 762">Product No.: 96515433</p> <p data-bbox="298 793 1258 848">Multistage, immersible, self-priming, centrifugal pump for vertical installation in tanks etc. The pump head and base are in cast iron – all other wetted parts are in stainless steel.</p> <p data-bbox="298 852 771 879">The pump has the following characteristics:</p> <ul data-bbox="337 884 1291 999" style="list-style-type: none"> • Dimensions according to DIN 5440. • Impellers, intermediate chambers and spline shaft are made of {IMPELLER_MATR}. • Mechanical shaft seal according to EN 12756. • Power transmission via sintered metal split coupling. <p data-bbox="298 1031 1274 1085">A cartridge shaft seal ensures high reliability, safe handling, and easy access and service. The pump is fitted with a 3-phase, fan-cooled asynchronous motor.</p> <p data-bbox="298 1148 738 1176">Immersion depth: 9.84 in</p> <p data-bbox="298 1207 738 1262">Controls: Frequency converter: NONE</p> <p data-bbox="298 1293 787 1444">Liquid: Pumped liquid: Water Liquid temperature range: 14 .. 194 °F Selected liquid temperature: 68 °F Density: 62.29 lb/ft³</p> <p data-bbox="298 1476 852 1740">Technical: Rated pump speed: 3452 rpm Rated flow: 30.4 US gpm Rated head: 120.4 ft Chambers: 5 Drainage back to tank: N Pump orientation: Vertical Code for shaft seal: HUUV Curve tolerance: ISO9906:2012 3B</p> <p data-bbox="298 1772 901 1887">Materials: Pump head: Cast iron EN 1561 EN-GJL-200 ASTM A48-25B</p>



Company name:

Created by:

Phone:

Date:

9/14/2020

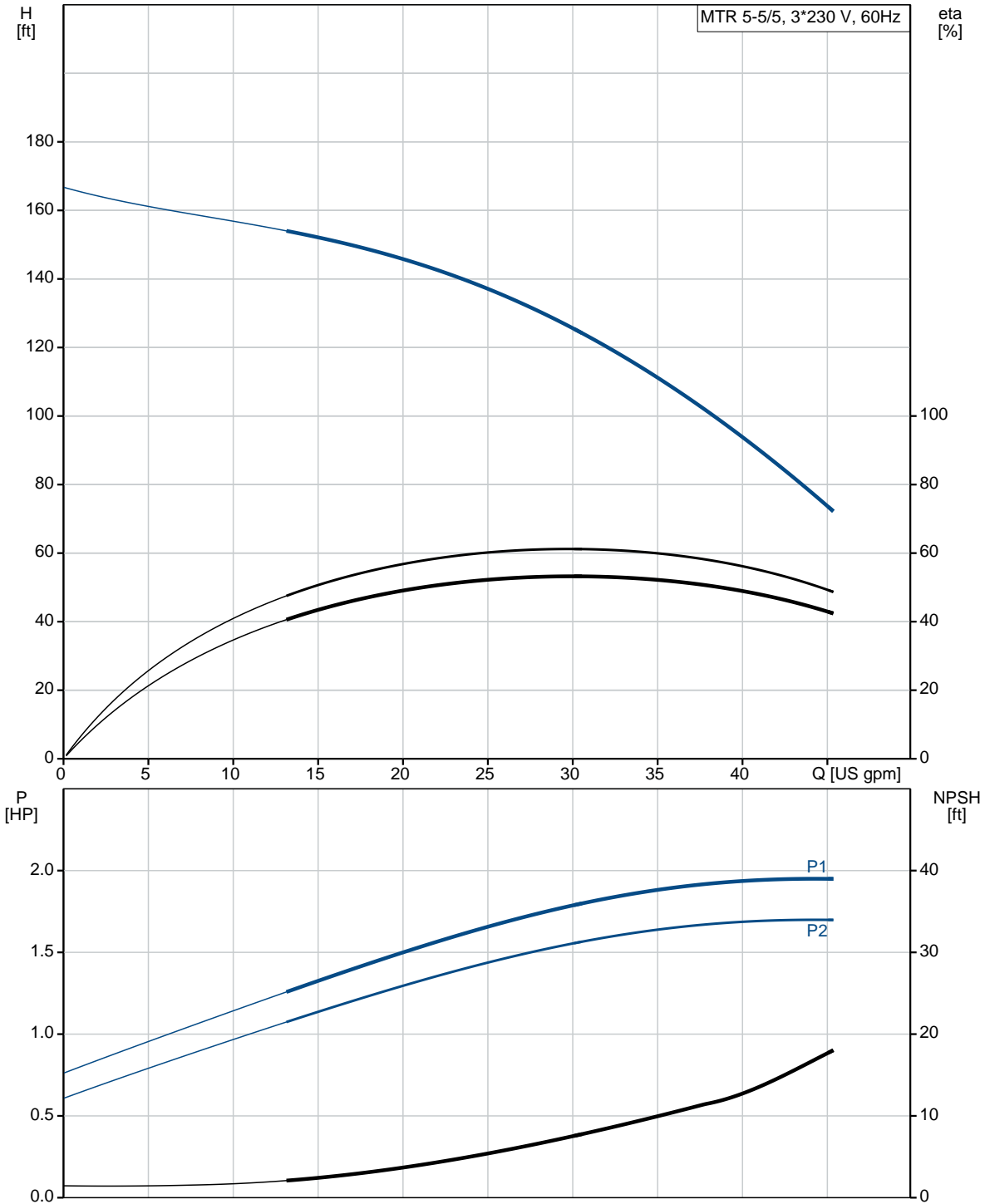
Count	Description
	Impeller: Stainless steel EN 1.4301 AISI 304
	Installation: Maximum ambient temperature: 140 °F Maximum operating pressure: 362.59 psi Max pressure at stated temperature: 363 psi / 194 °F Type of connection: NPT(F) Size of outlet port: 1 1/4 inch Immersion depth: 9.84 in Flange size for motor: 56C
	Electrical data: Motor standard: NEMA Motor type: 90GB IE Efficiency class: NEMA Premium / IE3 60Hz Rated power - P2: 2 HP Main frequency: 60 Hz Suitable for 50/60 Hz: N Rated voltage: 3 x 208-230YY/460Y V Service factor: 1.15 Rated current: 6,00-5,80/2,90 A Starting current: 800-910 % Cos phi - power factor: 0.81-0.78 Rated speed: 3500-3520 rpm IE efficiency: IE3 85,5% Motor efficiency at full load: 85.5 % Motor efficiency at 3/4 load: 86.2 % Motor efficiency at 1/2 load: 84.9 % Number of poles: 2 Enclosure class (IEC 34-5): 55 Dust/Jetting Insulation class (IEC 85): F Motor Number: 99540185
	Others: Terminal box position: 6 Minimum efficiency index, MEI: 0.57 Net weight: 55.5 lb Gross weight: 62.5 lb Shipping volume: 4.24 ft³ Country of origin: GB Custom tariff no.: 8413.70.2040



Company name:
Created by:
Phone:

Date: 9/14/2020

96515433 MTR 5-5/5 A-WB-A-HUUV 60 Hz

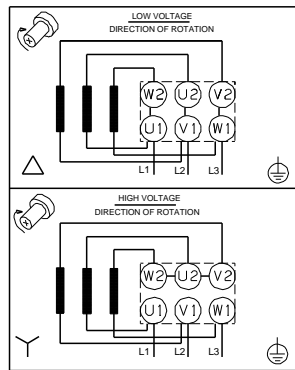
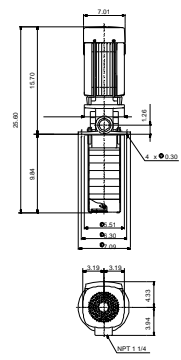
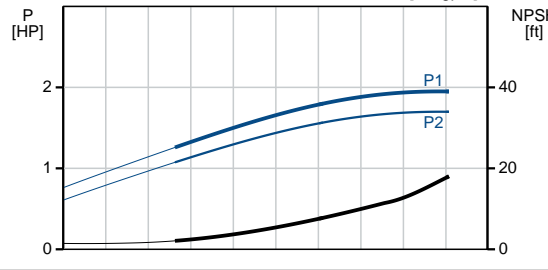
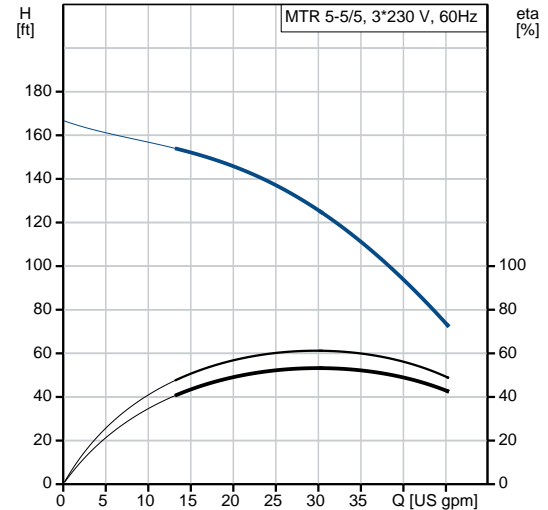




Company name:
Created by:
Phone:

Date: 9/14/2020

Description	Value
General information:	
Product name:	MTR 5-5/5 A-WB-A-HUUUV
Product No.:	96515433
EAN:	5700396722764
Price:	
Technical:	
Rated pump speed:	3452 rpm
Rated flow:	30.4 US gpm
Rated head:	120.4 ft
Chambers:	5
Impellers:	5
Number of reduced-diameter impellers:	0
Drainage back to tank:	N
Pump orientation:	Vertical
Code for shaft seal:	HUUUV
Curve tolerance:	ISO9906:2012 3B
Pump version:	A
Model:	A
Materials:	
Pump head:	Cast iron
Pump head:	EN 1561 EN-GJL-200
Pump head:	ASTM A48-25B
Impeller:	Stainless steel
Impeller:	EN 1.4301
Impeller:	AISI 304
Material code:	A
Installation:	
Maximum ambient temperature:	140 °F
Maximum operating pressure:	362.59 psi
Max pressure at stated temperature:	363 psi / 194 °F
Type of connection:	NPT(F)
Size of outlet port:	1 1/4 inch
Immersion depth:	9.84 in
Flange size for motor:	56C
Connect code:	WB
Liquid:	
Pumped liquid:	Water
Liquid temperature range:	14 .. 194 °F
Selected liquid temperature:	68 °F
Density:	62.29 lb/ft³
Electrical data:	
Motor standard:	NEMA
Motor type:	90GB
IE Efficiency class:	NEMA Premium / IE3 60Hz
Rated power - P2:	2 HP





Company name:

Created by:

Phone:

Date:

9/14/2020

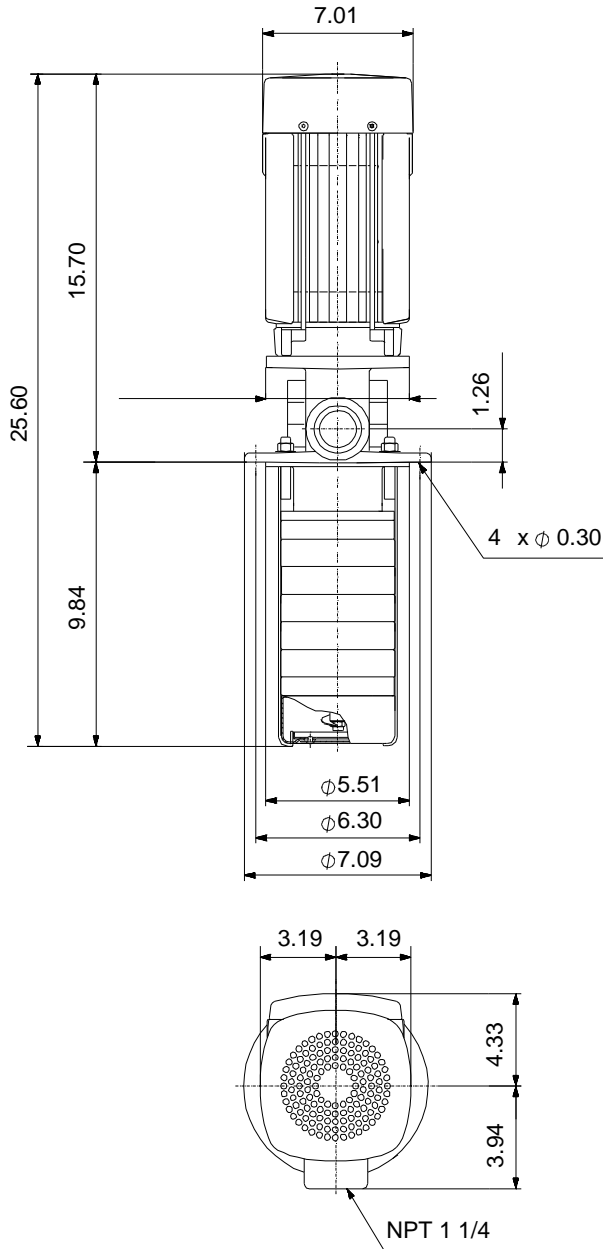
Description	Value
Main frequency:	60 Hz
Suitable for 50/60 Hz:	N
Rated voltage:	3 x 208-230YY/460Y V
Service factor:	1.15
Rated current:	6,00-5,80/2,90 A
Starting current:	800-910 %
Cos phi - power factor:	0.81-0.78
Rated speed:	3500-3520 rpm
IE efficiency:	IE3 85,5%
Motor efficiency at full load:	85.5 %
Motor efficiency at 3/4 load:	86.2 %
Motor efficiency at 1/2 load:	84.9 %
Number of poles:	2
Enclosure class (IEC 34-5):	55 Dust/Jetting
Insulation class (IEC 85):	F
Motor protection:	NONE
Motor Number:	99540185
Controls:	
Frequency converter:	NONE
Others:	
Terminal box position:	6
Minimum efficiency index, MEI â%œ€:	0.57
Net weight:	55.5 lb
Gross weight:	62.5 lb
Shipping volume:	4.24 ft³
Sales region:	Namreg
Country of origin:	GB
Custom tariff no.:	8413.70.2040



Company name:
Created by:
Phone:

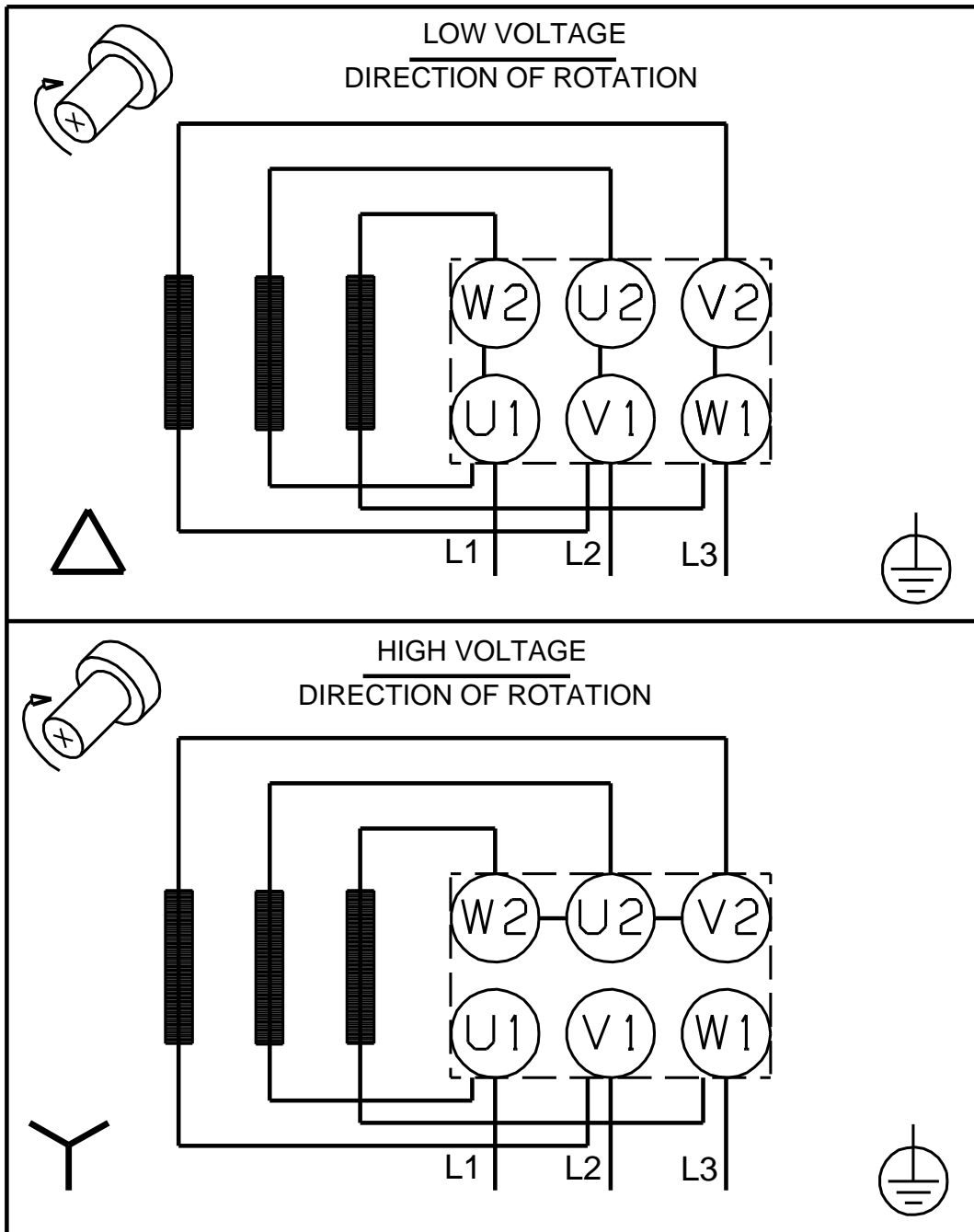
Date: 9/14/2020

96515433 MTR 5-5/5 A-WB-A-HUUV 60 Hz



Note! All units are in [in] unless otherwise stated.
Disclaimer: This simplified dimensional drawing does not show all details.

96515433 MTR 5-5/5 A-WB-A-HUUV 60 Hz



All units are [in] unless otherwise presented.