

FSB Side Entry M Series Single Bag Filter Housings



Product Introduction



Filtrafine FSB-M series side entry stainless steel single bag filter housings provide an economical filtration option with a wide range of application such as RO Pre-filtration, waste water treatment, food and beverage and so on. The side inlet promotes uniform flow rate delivering that improves filtration results. And its machine cutting cover could be customized to meet clients' various high pressure demands. The FSB-M series is designed with a proven swing eye bolt closure mechanism to ensure sealing. FSB-M series filter housings are constructed of 304, 316 or 316L stainless steel material and its fine finish gives excellent resistance of corrosion for product purity. FSB-M series has adjustable lags which provide flexibility for installation orientation and height.

- Extra electro-polish finish for special requirement (optional)
- Manufactured under a certified ISO 9001 quality system
- ASME Code UM stamp (optional)

Product Specifications

Materials of Construction

- Head: 304 or 316 Stainless Steel
- Shell: 304 or 316 Stainless Steel
- Internal Components: 304 or 316 Stainless Steel
- O-rings: EPDM (standard)
Silicone, Teflon Encapsulated Viton,
Viton (optional)

Dimensions

- Inlet/Outlet: 2", 3"
- Connection Types: ANSI, JIS, and DIN Flange
NPT, BSP and PT Thread
- Vent : 1/4" NPT
- Gauge: 1/4" NPT

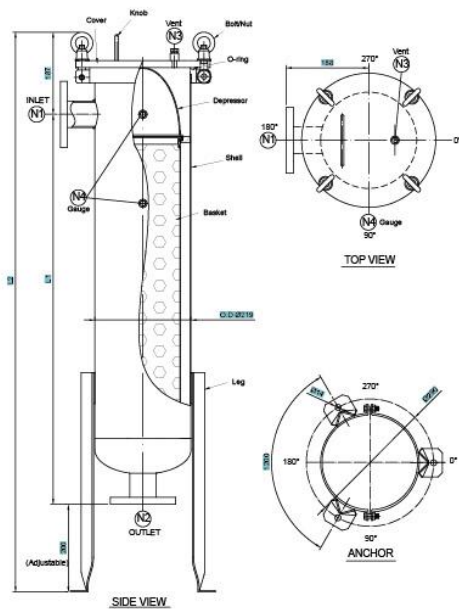
Performance Specifications

Maximum Operating Pressure

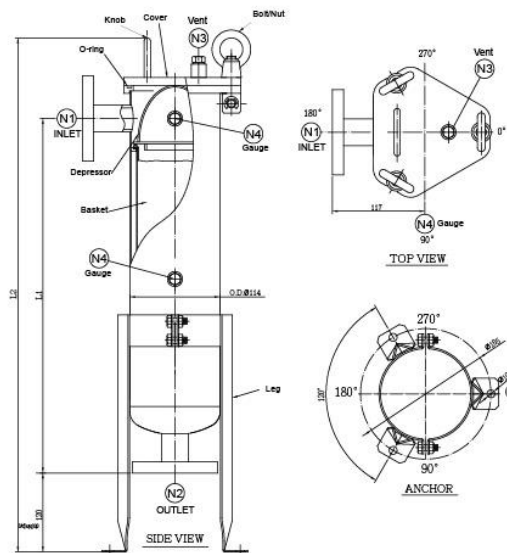
150 psig (10.3 bar) @ 77°F (25°C) in liquid service



Model	Max. Liquid Flow Rate gpm (m ³ / hr)	Dimension	
		L1 Inch (mm)	L2 Inch (mm)
FSB1-M	90(20)	19.8"(505)	33"(840)
FSB2-M	180(40)	35"(889)	50.1"(1275)
FSB3-M	25(5.5)	19.3"(492)	11.4"(840)
FSB4-M	50(11)	25.5"(650)	17.6"(448)



Size 1 & Size2 Bag Filter Housing



Size 3 & Size4 Bag Filter Housing

Ordering Information

Product Name	Bag Size	Material of Construction	Bag Housing Type	Inlet/Outlet Connection Size	Connection Type	Code	Pressure Rating (psig)	Option	ASME Stamp
FSB	1	A-	M-	2	FA-	C	100	-EP	-UM
FSB	1=01 2=02	A=304SS S=316SS	M=Machine Cutting Head Side Entry	2" 3"	FA=ANSI Flange FJ=JIS Flange FD=DIN Flange TN=NPT Thread TP=PT Thread TB=BSP Thread	Blank=None Code C=ASME Code	Blank=None Code 100 150	Blank=None EP=Electro-polished	Blank=None Code UM=UM Stamp