



|              |             |            |
|--------------|-------------|------------|
| Customer     | Date        | 11.02.2021 |
| Contact      | Project     |            |
| Phone number | Project no. |            |
| Email        |             |            |

## 10HM08N55T6PBQE

### Operating data

|                           |                  |                           |                             |
|---------------------------|------------------|---------------------------|-----------------------------|
| Pump type                 | Single head pump | Fluid                     | Water                       |
| No. of pumps / Reserve    | 1 / 0            | Operating temperature t A | °F 39.2                     |
| Nominal flow              | US g.p.m. 0      | pH-value at t A           | 7                           |
| Nominal head              | ft 0             | Density at t A            | lb/ft <sup>3</sup> 62.4     |
| Static head               | ft 0             | Kin. viscosity at t A     | ft <sup>2</sup> /s 1.689E-5 |
| Inlet pressure            | psi 0            | Vapor pressure at t A     | psi 14.5                    |
| Environmental temperature | °F 68            | Solids                    | 0                           |
| Available system NPSH     | ft 0             | Altitude                  | ft 0                        |

### Pump data

|                       |          |                  |                     |
|-----------------------|----------|------------------|---------------------|
| Make                  | Goulds   | Nominal          | US g.p.m. ( )       |
| Speed                 | rpm 3500 | Flow             | Max- US g.p.m. 74.8 |
| No. of stages         | 8        |                  | Min- US g.p.m.      |
| Max. casing pressure  | psi      | Nominal          | ft                  |
| Max. working pressure | psi 196  | Head             | at Qmax ft 220.1    |
| Head H(Q=0)           | ft 450   |                  | at Qmin ft 452      |
| Weight                | lb 97    | Shaft power      | hp ( )              |
|                       |          | Max. shaft power | hp 6.9              |
|                       |          | Efficiency       | %                   |
|                       |          | NPSH 3%          | ft                  |

### Pump Materials

|                          |                     |
|--------------------------|---------------------|
| Adapter                  | Aluminium           |
| Diffuser                 | Stainless steel     |
| Fill / drain plugs       | Stainless steel     |
| Head                     | Stainless steel     |
| Impeller                 | Stainless steel 316 |
| Outer sleeve             | Stainless steel     |
| Ring with foot           | Aluminium           |
| Seal Housing             | Stainless steel     |
| Shaft                    | Stainless steel     |
| Shaft sleeve and bushing | Tungsten carbide    |
| Tie rods                 | Stainless steel     |
| Wear Ring                | Technopolymer (PPS) |

### Shaft Seal

|                  |                           |
|------------------|---------------------------|
| Rotating Part    | Silicon Carbide           |
| Stationary Part  | Carbon, resin-impregnated |
| Elastomers       | EPDM                      |
| Springs          | AISI 316                  |
| Other Components | AISI 316                  |

### Motor data

|                 |                               |                      |         |
|-----------------|-------------------------------|----------------------|---------|
| Specific design | IE3 Three phase surface motor |                      |         |
| Type            | PLM12HM..A/UL355 E3           |                      |         |
| Rated power     | 7.5 hp                        | Electric voltage     | 208 V   |
| Speed           | 3515 rpm                      | Electric current     | 18.7 A  |
| Frame size      | 56                            | Degree of protection | 55      |
| Colour          | RAL 5010                      | Insulation class     | 155 (F) |



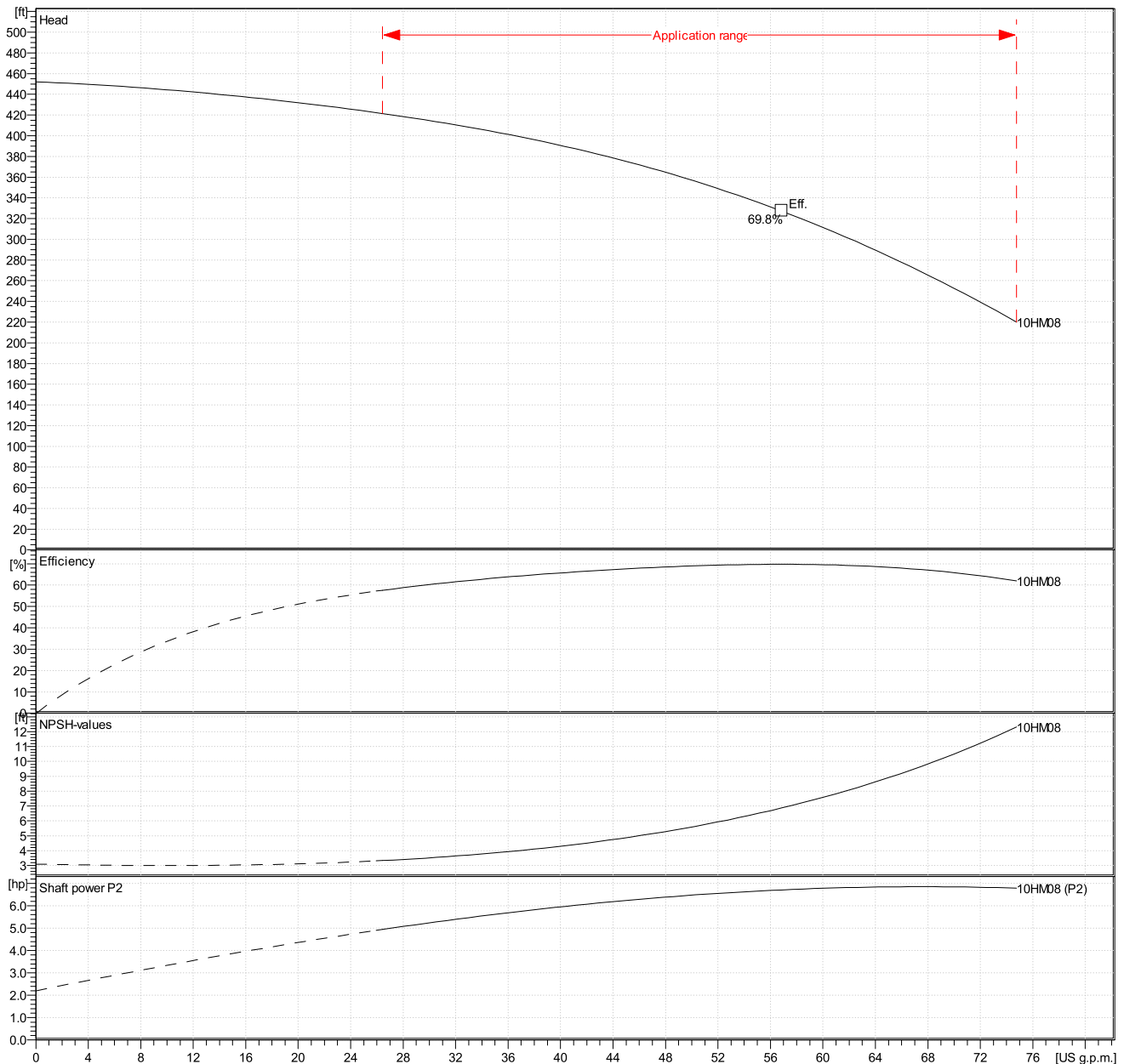
|              |            |
|--------------|------------|
| Customer     |            |
| Contact      | 11.02.2021 |
| Phone number |            |
| Email        |            |
| Date         | 11.02.2021 |
| Project      |            |
| Project no.  |            |

## 10HM08N55T6PBQE

### Hydraulic Data

| Operating Data Specification |             | Hydraulic data (duty point) |  | Impeller design |            |
|------------------------------|-------------|-----------------------------|--|-----------------|------------|
| Flow                         | 0 US g.p.m. | Flow                        |  | Impeller R      | 3 3/4 inch |
| Head                         | 0 ft        | Head                        |  | Frequency       | 60 Hz      |
| Static head                  | 0 ft        |                             |  | Speed           | 3500 rpm   |

Power data referred to:  
 Water [100%] ; 39.2°F; 62.4lb/ft³; 1.69E-5ft²/s  
 Performance according to ANSI/HI 14.6 - Grade 2B

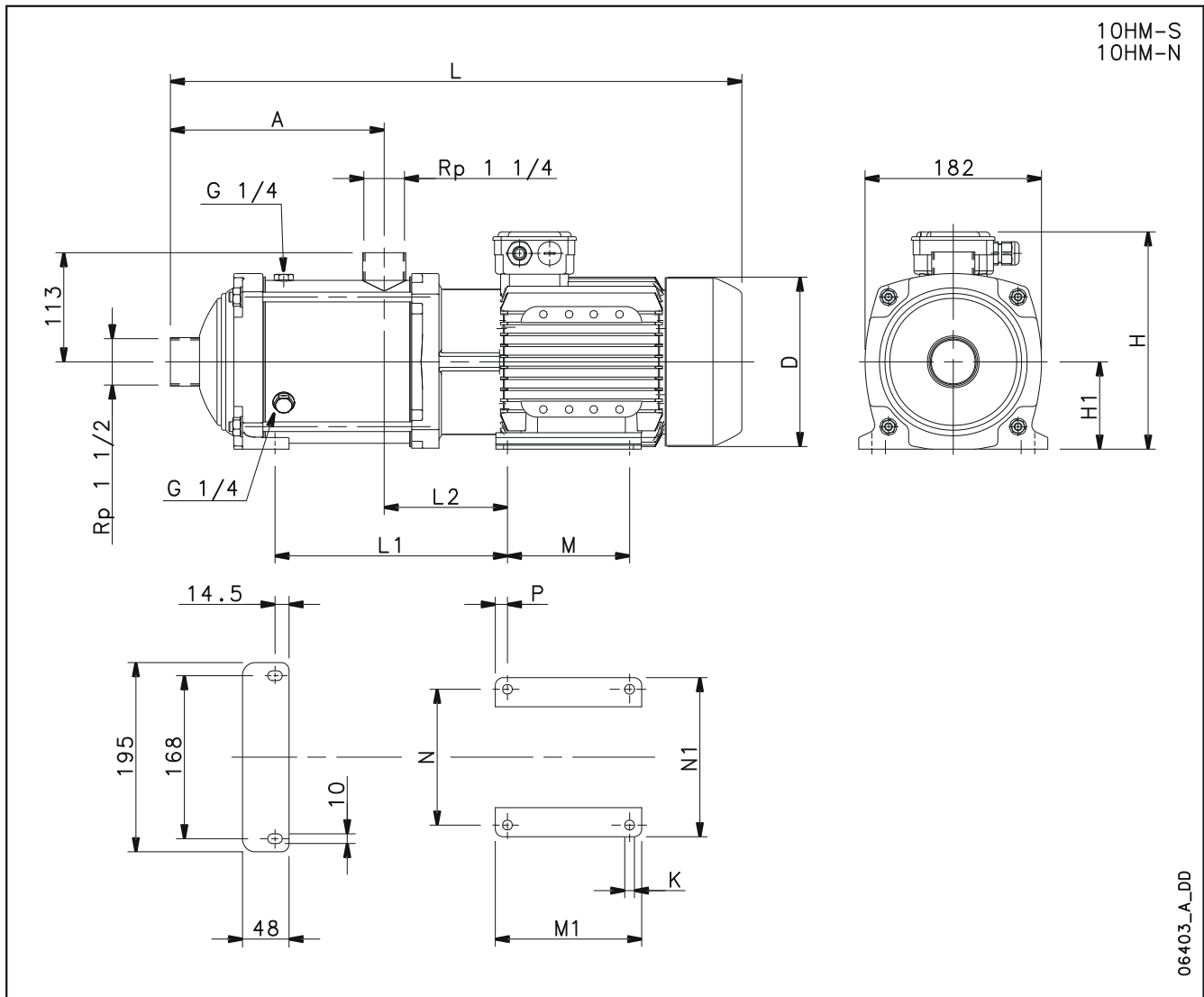




|              |             |            |
|--------------|-------------|------------|
| Customer     | Date        | 11.02.2021 |
| Contact      | Project     |            |
| Phone number | Project no. |            |
| Email        |             |            |

## 10HM08N55T6PBQE

### Drawing



06403\_A\_DD

### Dimensions inch

|    |                                 |     |                                 |  |  |                     |
|----|---------------------------------|-----|---------------------------------|--|--|---------------------|
| A  | 11 <sup>1</sup> / <sub>4</sub>  | M1  | 6 <sup>11</sup> / <sub>16</sub> |  |  | Weight<br>97.002 lb |
| D  | 8 <sup>7</sup> / <sub>16</sub>  | N   | 7 <sup>1</sup> / <sub>2</sub>   |  |  |                     |
| H  | 11 <sup>1</sup> / <sub>32</sub> | N-1 | 8 <sup>9</sup> / <sub>8</sub>   |  |  |                     |
| H1 | 4 <sup>7</sup> / <sub>16</sub>  | P   | 9 <sup>9</sup> / <sub>16</sub>  |  |  |                     |
| K  | 1/2                             |     |                                 |  |  |                     |
| L  | 28 <sup>7</sup> / <sub>16</sub> |     |                                 |  |  |                     |
| L1 | 13 <sup>1</sup> / <sub>16</sub> |     |                                 |  |  |                     |
| L2 | 6 <sup>1</sup> / <sub>16</sub>  |     |                                 |  |  |                     |
| M  | 5 <sup>1</sup> / <sub>2</sub>   |     |                                 |  |  |                     |