

PROJECT: _____	UNIT TAG: _____	QUANTITY: _____
REPRESENTATIVE: _____	TYPE OF SERVICE: _____	DATE: _____
ENGINEER: _____	SUBMITTED BY: _____	DATE: _____
CONTRACTOR: _____	APPROVED BY: _____	DATE: _____
	ORDER NO.: _____	DATE: _____

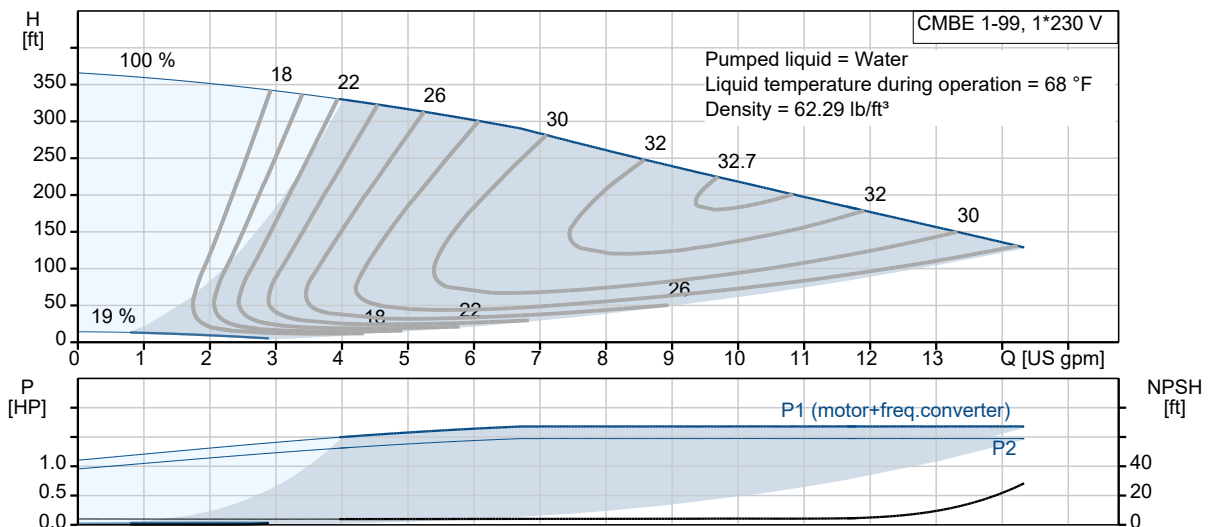


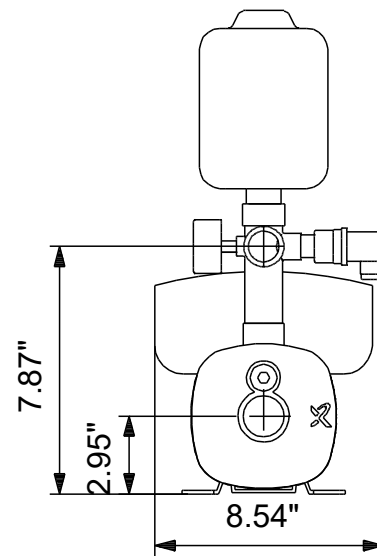
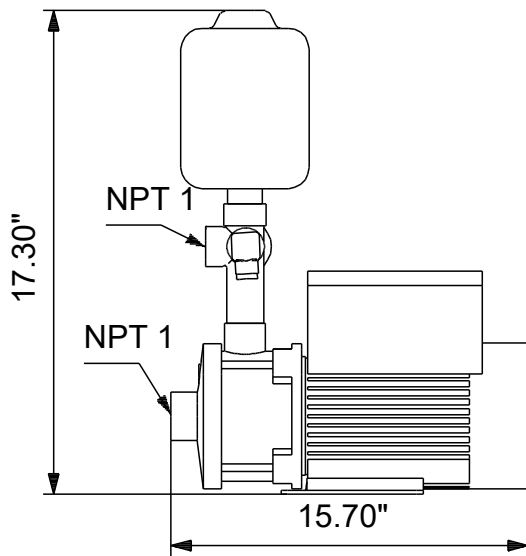
CMBE 1-99 I-U-C-E-D-E

Compact booster set for water supply in light commercial applications. Pump materials in contact with the liquid are in stainless steel AISI 304 (EN 1.4301)

Product photo could vary from the actual product


Conditions of Service	Pump Data	Motor Data
Efficiency: _____	Liquid temperature range: 32 .. 140 °F	Rated power - P2: 1.5 HP
Liquid: Water	Maximum ambient temperature: 122 °F	Rated voltage: 200-240 V
Temperature: 68 °F	Shaft seal: AQQE	Main frequency: 50 / 60 Hz
NPSH required: ft	Flange standard: INTERNAL NPT THREAD	Enclosure class: IP55
Specific Gravity: 1.000	Product number: 98548111	Insulation class: F





Materials:

- Pump housing: Stainless steel
- Pump housing: DIN W.-Nr. 1.4301
- Pump housing: AISI 304
- Impeller: Stainless steel
- Impeller: DIN W.-Nr. 1.4301
- Impeller: AISI 304
- Rubber: EPDM

Count	Description								
1	<p data-bbox="297 411 565 443">CMBE 1-99 I-U-C-E-D-E</p> <div data-bbox="399 485 565 684" style="text-align: center;">  </div> <p data-bbox="297 730 557 762">Product No.: 98548111</p> <p data-bbox="297 789 889 995">The Grundfos CME Booster is a compact booster system for water supply in domestic applications. The integrated speed controller enables the CME Booster to keep constant pressure in the pipe system. A pressure sensor monitoring changes in the water consumption will signal to the speed controller to change the motor speed to adapt performance to the new state.</p> <p data-bbox="297 999 935 1083">The CME Booster is very easy to install. When the pipework has been installed, it is all a matter of plugging the unit into a socket, and the system is operational.</p> <p data-bbox="297 1087 618 1119">The CME Booster consists of:</p> <ul data-bbox="297 1123 813 1262" style="list-style-type: none"> • CME pump with integrated frequency converter • 5-way valve • expansion tank • pressure gauge • manometer <p data-bbox="297 1293 396 1325">Features</p> <ul data-bbox="297 1329 781 1472" style="list-style-type: none"> • Constant pressure, integrated speed control • compact • robust, stainless steel • easy installation • dry run protection <p data-bbox="297 1503 500 1535">Thermal protection</p> <p data-bbox="297 1539 911 1570">CME Booster pumps require no external motor protection.</p> <p data-bbox="297 1575 867 1650">The MGE motor incorporates thermal protection against slow overloading and blocking (IEC 34.11: TP 211).</p> <p data-bbox="297 1713 370 1745">Liquid:</p> <table data-bbox="297 1749 781 1860"> <tr> <td>Pumped liquid:</td> <td>Water</td> </tr> <tr> <td>Liquid temperature range:</td> <td>32 .. 140 °F</td> </tr> <tr> <td>Selected liquid temperature:</td> <td>68 °F</td> </tr> <tr> <td>Density:</td> <td>62.29 lb/ft³</td> </tr> </table>	Pumped liquid:	Water	Liquid temperature range:	32 .. 140 °F	Selected liquid temperature:	68 °F	Density:	62.29 lb/ft³
Pumped liquid:	Water								
Liquid temperature range:	32 .. 140 °F								
Selected liquid temperature:	68 °F								
Density:	62.29 lb/ft³								



Company name:
Created by:
Phone:

Date: 2/25/2021

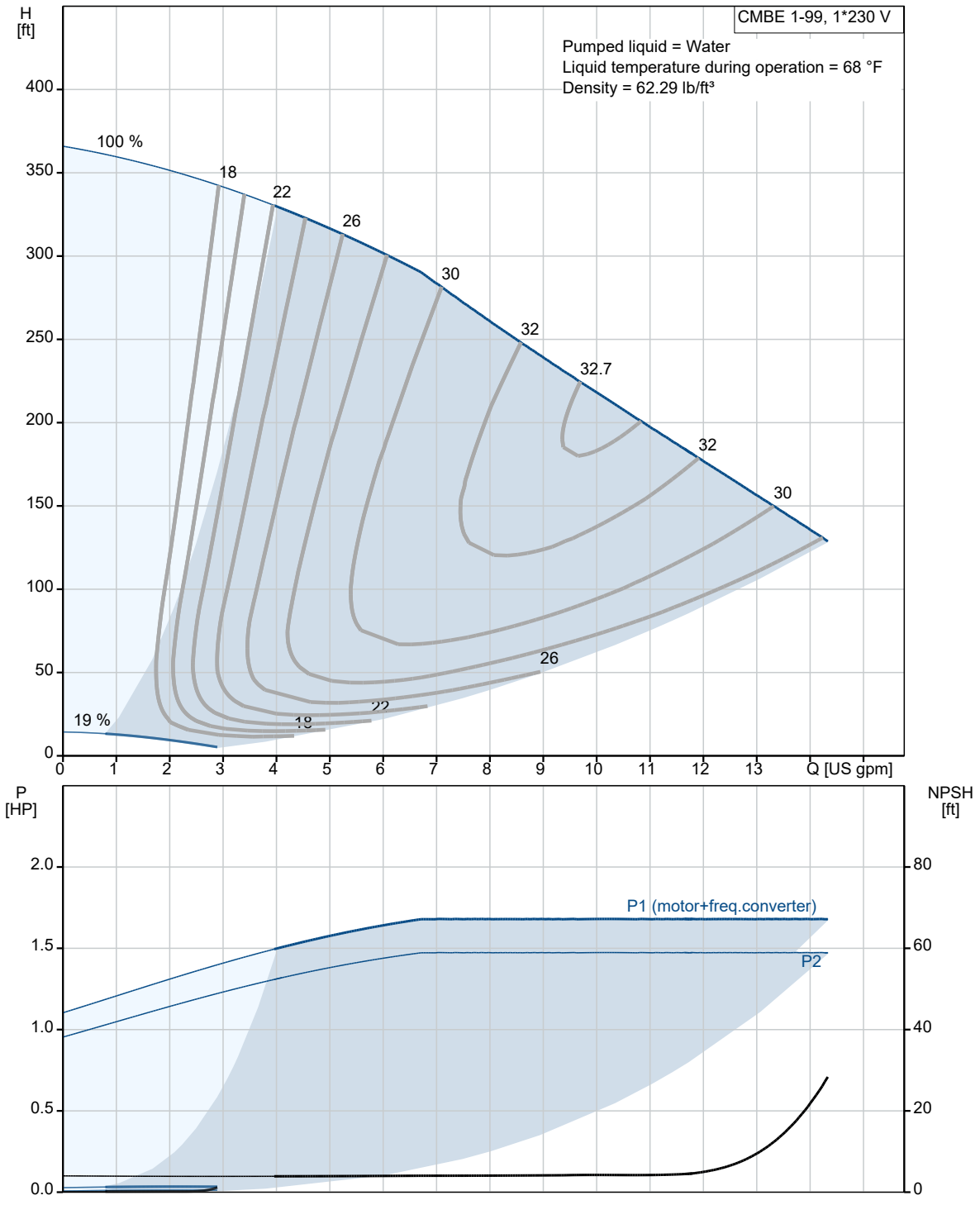
Count	Description
	<p>Technical:</p> <p>Pump speed on which pump data is based: 3780 rpm</p> <p>Rated flow: 10.6 US gpm</p> <p>Rated head: 204.4 ft</p> <p>Primary shaft seal: AQQE</p> <p>Approvals and markings: CE,CULUS</p> <p>Curve tolerance: ISO9906:2012 3B</p> <p>Return valve: YES</p> <p>Start pressure: Integrated Frequency converter</p> <p>Materials:</p> <p>Pump housing: Stainless steel DIN W.-Nr. 1.4301 AISI 304</p> <p>Impeller: Stainless steel DIN W.-Nr. 1.4301 AISI 304</p> <p>Rubber: EPDM</p> <p>Installation:</p> <p>Maximum ambient temperature: 122 °F</p> <p>Flange standard: INTERNAL NPT THREAD</p> <p>Pump inlet: NPT 1</p> <p>Pump outlet: NPT 1</p> <p>Electrical data:</p> <p>Rated power - P2: 1.5 HP</p> <p>Main frequency: 50 / 60 Hz</p> <p>Rated voltage: 1 x 200-240 V</p> <p>Maximum current consumption: 6.70-5.60 A</p> <p>Rated speed: 360-4000 rpm</p> <p>Enclosure class (IEC 34-5): IP55</p> <p>Insulation class (IEC 85): F</p> <p>Type of cable plug: NONE</p> <p>Mains cable: NO CABLE m</p> <p>Tank:</p> <p>Tank volume: 0.528 gal</p> <p>Others:</p> <p>Net weight: 42 lb</p> <p>Gross weight: 64 lb</p> <p>Country of origin: US</p> <p>Custom tariff no.: 8413.70.2040</p>



Company name:
Created by:
Phone:

Date: 2/25/2021

98548111 CMBE 1-99 I-U-C-E-D-E

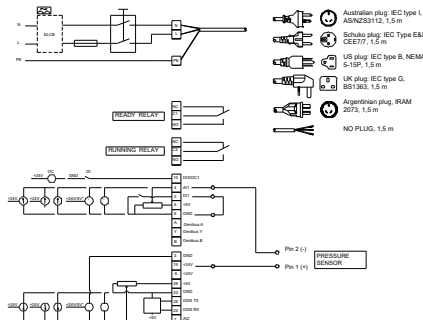
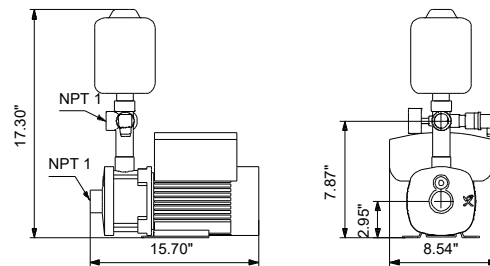
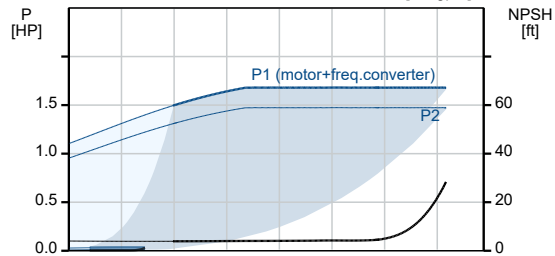
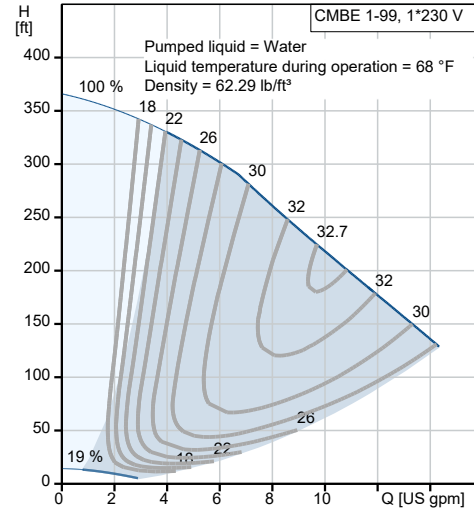




Company name:
Created by:
Phone:

Date: 2/25/2021

Description	Value
General information:	
Product name:	CMBE 1-99 I-U-C-E-D-E
Product No.:	98548111
EAN:	5711496977480
Price:	
Technical:	
Pump speed on which pump data is based:	3780 rpm
Rated flow:	10.6 US gpm
Rated head:	204.4 ft
Impellers:	7
Primary shaft seal:	AQQE
Approvals and markings:	CE,CULUS
Curve tolerance:	ISO9906:2012 3B
Model:	A
Return valve:	YES
Start pressure:	Integrated Frequency converter
Materials:	
Pump housing:	Stainless steel
Pump housing:	DIN W.-Nr. 1.4301
Pump housing:	AISI 304
Impeller:	Stainless steel
Impeller:	DIN W.-Nr. 1.4301
Impeller:	AISI 304
Rubber:	EPDM
Installation:	
Maximum ambient temperature:	122 °F
Flange standard:	INTERNAL NPT THREAD
Pump inlet:	NPT 1
Pump outlet:	NPT 1
Liquid:	
Pumped liquid:	Water
Liquid temperature range:	32 .. 140 °F
Selected liquid temperature:	68 °F
Density:	62.29 lb/ft³
Electrical data:	
Rated power - P2:	1.5 HP
Main frequency:	50 / 60 Hz
Rated voltage:	1 x 200-240 V
Maximum current consumption:	6.70-5.60 A
p max system:	145.04 psi
Rated speed:	360-4000 rpm
Enclosure class (IEC 34-5):	IP55
Insulation class (IEC 85):	F
Type of cable plug:	NONE
Mains cable:	NO CABLE m
Tank:	





Company name:
Created by:
Phone:

Date: 2/25/2021

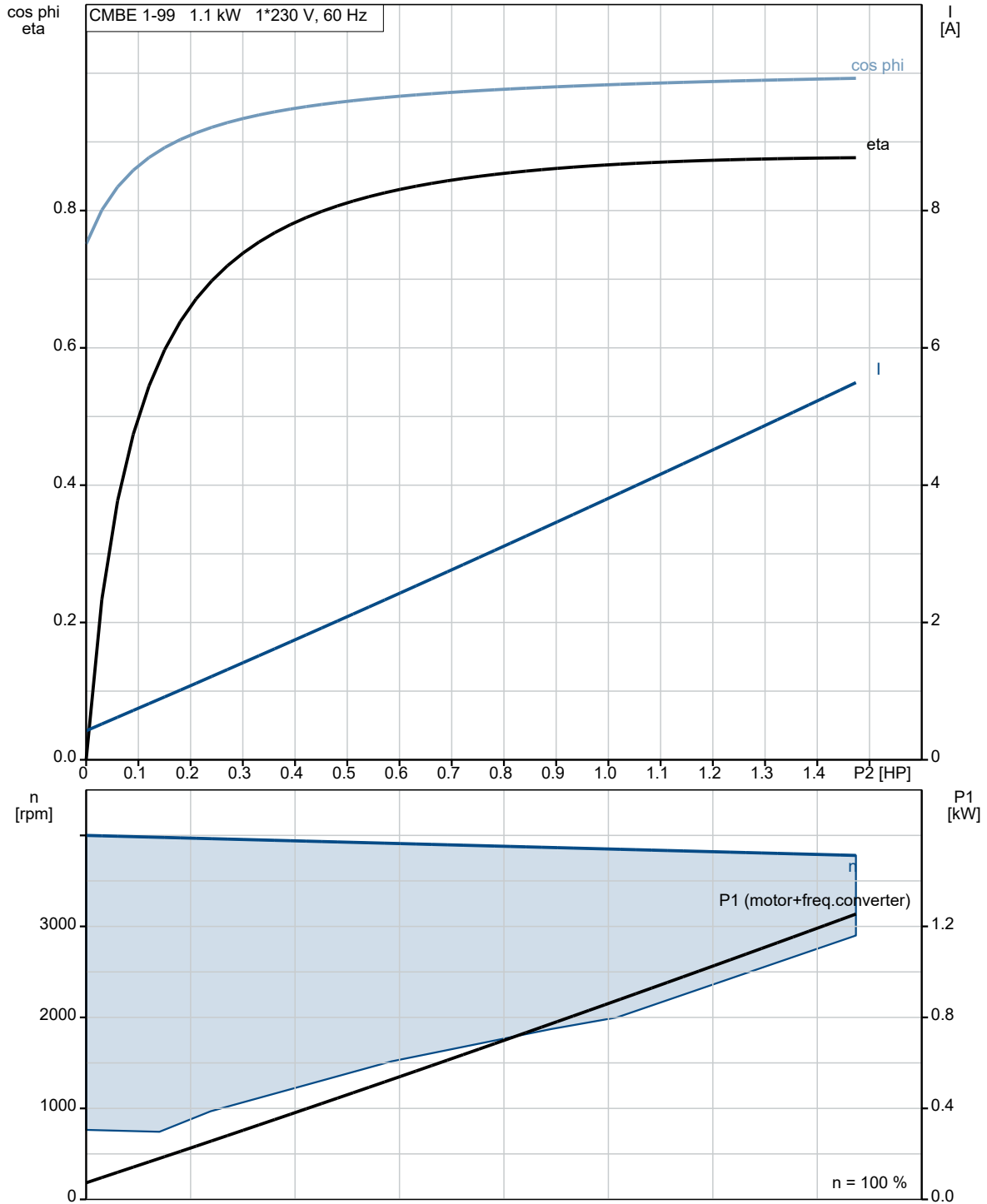
Description	Value
Tank volume:	0.528 gal
Others:	
Net weight:	42 lb
Gross weight:	64 lb
Config. file no:	95139604
Country of origin:	US
Custom tariff no.:	8413.70.2040



Company name:
Created by:
Phone:

Date: 2/25/2021

98548111 CMBE 1-99 I-U-C-E-D-E





Company name:

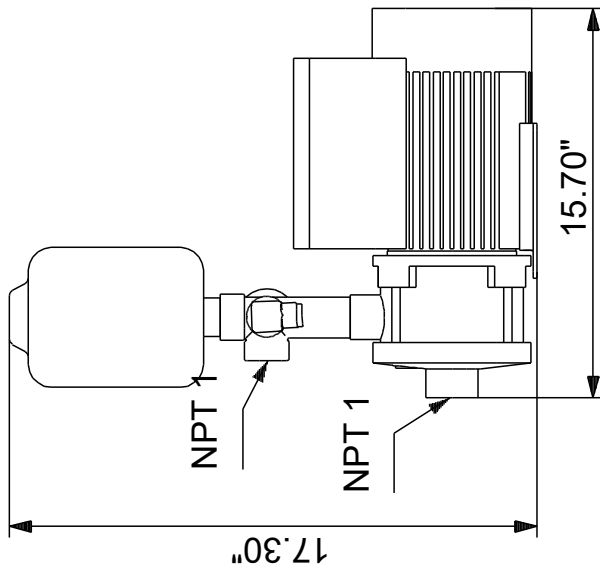
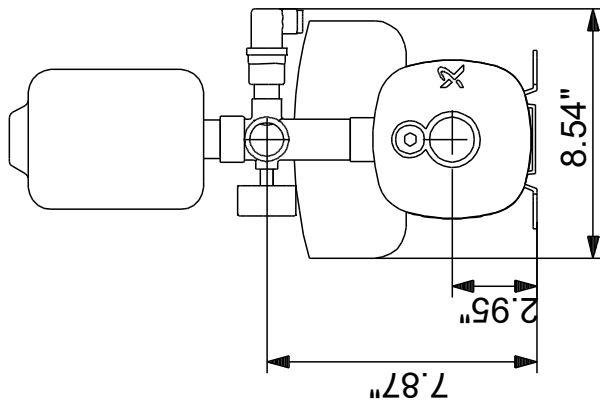
Created by:

Phone:

Date:

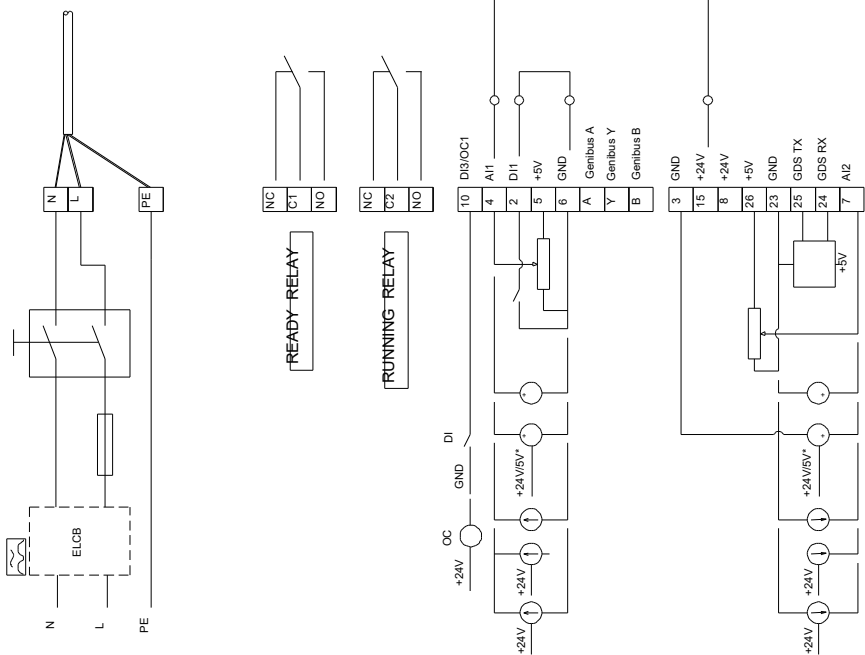
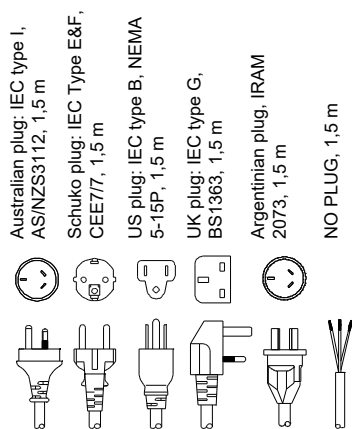
2/25/2021

98548111 CMBE 1-99 I-U-C-E-D-E



Note! All units are in [in] unless otherwise stated.
Disclaimer: This simplified dimensional drawing does not show all details.

98548111 CMBE 1-99 I-U-C-E-D-E



All units are [in] unless otherwise presented.