

| | | |
|--------------|-------------|------------|
| Customer | Date | 28.05.2021 |
| Contact | Project | |
| Phone number | Project no. | |
| Email | | |

1ST1E4C4

Operating data

| | | | | |
|---------------------------|--------------------------------|----|------------------------------|-----------------------------|
| Pump type | Single Stage End Suction Pumps | | Fluid | Water |
| No. of pumps/ Reserve | 1 / 0 | | Operating temperature t A °F | 39.2 |
| Nominal flow | US g.p.m. | 0 | pH-value at t A | 7 |
| Nominal head | ft | 0 | Density at t A | lb/ft ³ 62.4 |
| Static head | ft | 0 | Kin. viscosity at t A | ft ² /s 1.689E-5 |
| Inlet pressure | psi | 0 | Vapor pressure at t A | psi 14.5 |
| Environmental temperature | °F | 68 | Solids | 0 |
| Available system NPSH | ft | 0 | Altitude | ft 0 |

Pump data

| | | | | | |
|-----------------------|-------------------------|------|------------------|-----------|-------|
| Make | Goulds Water Technology | | Nominal | US g.p.m. | () |
| Speed | rpm | 3500 | Flow Max- | US g.p.m. | 46.1 |
| No. of stages | | 1 | Min- | US g.p.m. | |
| Max. casing pressure | psi | | Nominal | ft | |
| Max. working pressure | psi | 49.2 | Head at Qmax | ft | 60.7 |
| Head H(Q=0) | ft | 110 | at Qmin | ft | 113.4 |
| Weight | lb | 61 | Shaft power | hp | () |
| Max. Impeller R | inch | 6 | Max. shaft power | hp | 1 |
| designed | inch | 5 | Efficiency | % | |
| Min. | inch | 4 | NPSH 3% | ft | |

Shaft Seal

| | |
|--------------------|--------------------------|
| Make | John Crane |
| Type of Shaft Seal | Type 21 |
| Seal Material Code | Car-SilCar-Viton (10K55) |
| 1 - Rotating | Carbon |
| 2 - Stationary | Silicon Carbide |
| 3 - Elastomers | Viton |
| 4 - Metal Parts | 316 SS |

Motor data

| | | | | | |
|-----------------|----------------------------|----------------------|-------|------------------|----------|
| Manufacturer | Emerson | Electric voltage | 230 V | Speed | 3500 rpm |
| Specific design | 1ph TEFC | Electric current | 8.2 A | Frame size | 56J |
| Type | 115/208-230V 56J (E07821S) | Rated power | 1.hp | Insulation class | B |
| | | Degree of protection | IP 55 | Colour | RAL 5010 |

Remarks:

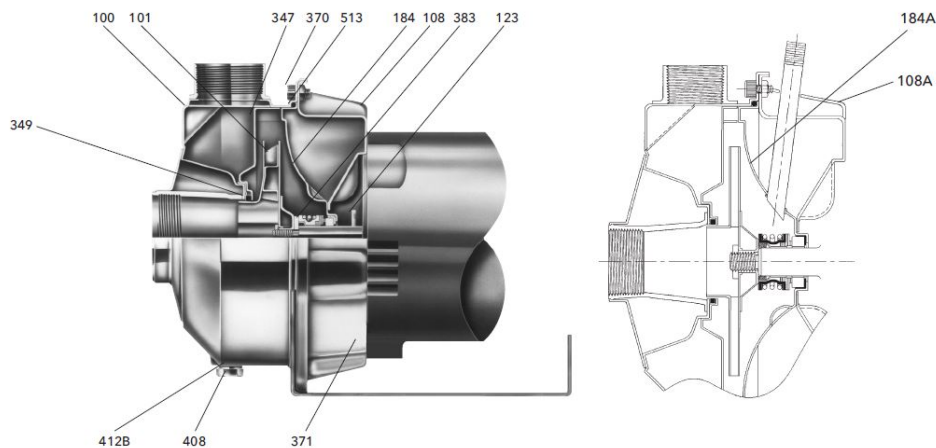
| | | |
|--------------|-------------|------------|
| Customer | Date | 28.05.2021 |
| Contact | Project | |
| Phone number | Project no. | |
| Email | | |



1ST1E4C4

PumpMaterials

| | |
|--------------------------------------|----------------------------------|
| 100 - Casing | AISI 316L SS |
| 101 - Impeller | AISI 316L SS |
| 108 - Motor adapter | AISI 316L SS |
| 108A - Motor adapter seal vent/flush | AISI 316L SS |
| 123 - Deflector | BUNA-N |
| 184 - Seal housing | AISI 316L SS |
| 184 A - Seal housing seal vent/flush | AISI 316L SS |
| 347 - Guidevane | AISI 316L SS |
| 349 - Seal ring, guidevane | Viton |
| 370 - Socket head screws, casing | AISI 410 SS |
| 371 - Bolts, motor | Plated Steel |
| 383 - Mechanical seal | Refer Mechanical Seals |
| 408 - Drain and vent plug, casing | AISI 316L SS |
| 412B - O-ring, drain and vent plug | Viton (Standard), EPR (Optional) |
| 513 - O-ring, casing | Viton (Standard), EPR (Optional) |
| Motor - NEMA standard, 56J flange | - |



Remarks:



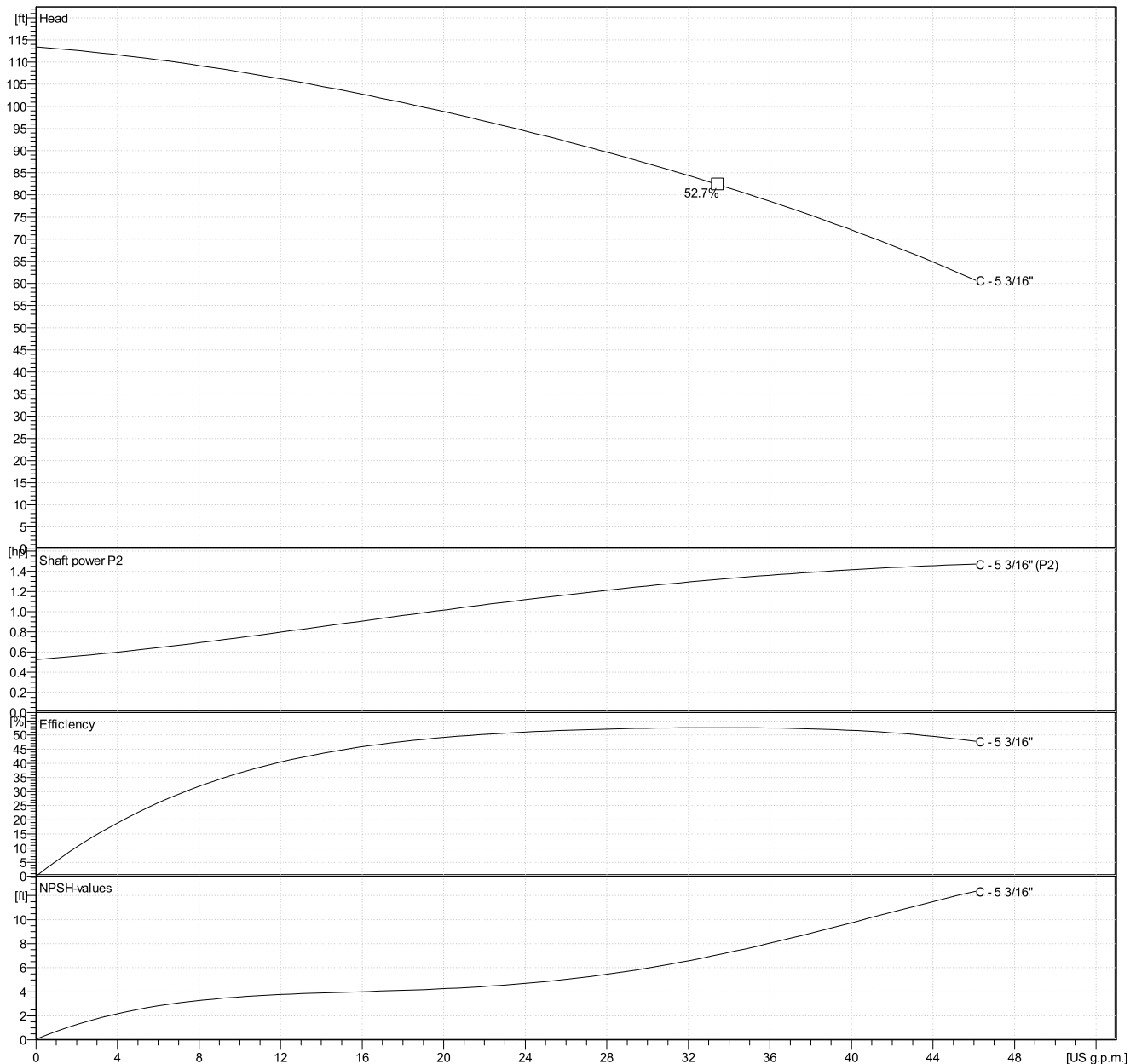
| | |
|--------------|-----------------|
| Customer | Date 28.05.2021 |
| Contact | Project |
| Phone number | Project no. |
| Email | |

1ST1E4C4

Hydraulic Data

| Operating Data Specification | | Hydraulic data (duty point) | | Impeller design | |
|------------------------------|-------------|-----------------------------|--|-----------------|----------|
| Flow | 0 US g.p.m. | Flow | | Impeller R | 5 inch |
| Head | 0 ft | Head | | Frequency | 60 Hz |
| Static head | 0 ft | | | Speed | 3500 rpm |

Power data referred to:
Water [100%] ; 39.2°F; 62.4lb/ft³; 1.69E-5ft²/s
Performance according to ISO 9906:2012 – Grade 3B

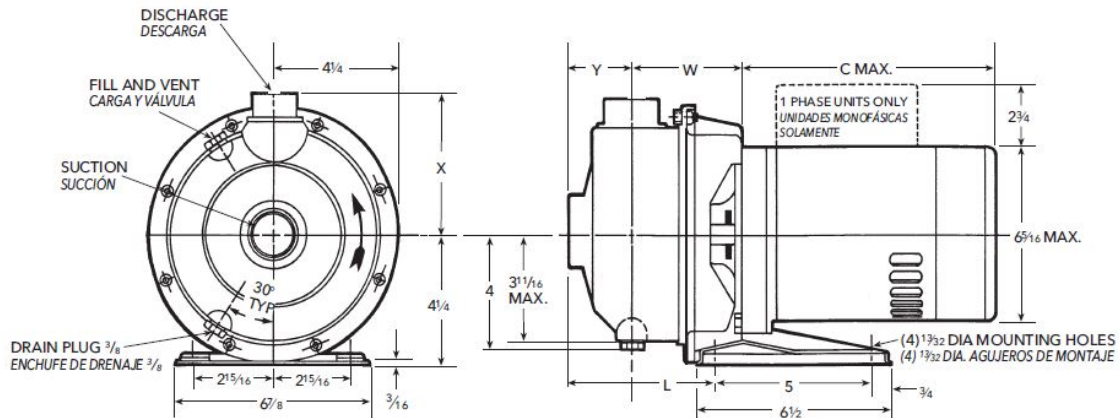




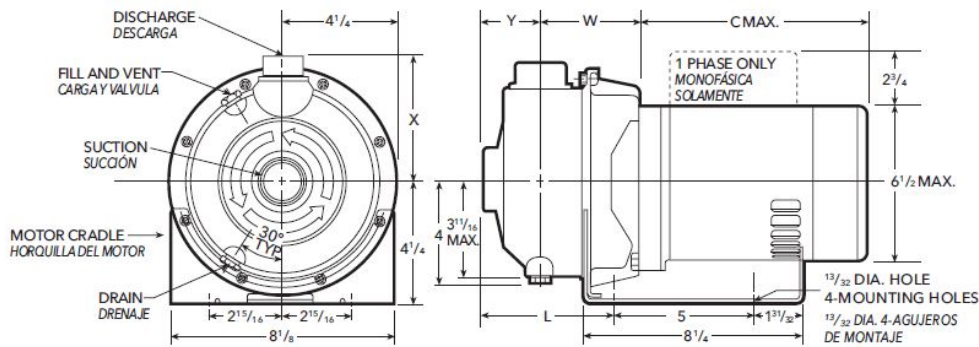
| | |
|--------------|-----------------|
| Customer | Date 28.05.2021 |
| Contact | Project |
| Phone number | Project no. |
| Email | |

1ST1F4C4

Drawing



ODP* and TEFC* 1/2, 3/4 and 1 HP (standard), ODP* y TEFC* 1/2, 3/4 y 1 HP (estándar)



ODP* and TEFC* 1 1/2, 2, 3 and 5 HP (standard), ODP* y TEFC* 1 1/2, 2, 3 y 5 HP (estándar)

Dimensions inch

| Dimensions | Value |
|--------------------------|---------------------------------|
| Motor Dim. C(Max) Length | 13 ⁷ / ₁₆ |
| Motor Dim. P(Max) | 7 ³ / ₁₆ |
| Pump Dim. Discharge NPT | 1 |
| Pump Dim. L | 4 ⁹ / ₁₆ |
| Pump Dim. Suction NPT | 1 ¹ / ₄ |
| Pump Dim. W | 3 ⁵ / ₁₆ |
| Pump Dim. X | 4 ³ / ₈ |
| Pump Dim. Y | 2 |

| | |
|--------|-----------|
| Weight | 61.001 lb |
|--------|-----------|