

Customer	Date	30.06.2021
Contact	Project	
Phone number	Project no.	
Email		

## HVL2D3-10SV6GG4F60-G

### Operating data

Pumpe type	Single-/Multi-pump set	Fluid	Water
No. of pumps / Standby pump	2 / 0	Operating temperature t A	°F 39.2
Nominal flow	US g.p.m. 0		
Nominal head	ft 0		
Static head	ft 0		
Inlet pressure	psi 0		
Environmental temperature	°F 68		
Available system NPSH	ft 0		

### Pump data

Make	Goulds	Nominal	US g.p.m. ( )
Speed	rpm 3500	Flow	Max- US g.p.m. 74.4
No. of stages	1		Min- US g.p.m.
Max. casing pressure	psi		Nominal ft
Max. working pressure	psi 142.4	Head	at Qmax ft 157.5
Head H(Q=0)	ft 330		at Qmin ft 328.5
Weight	lb 593	Shaft power	hp ( )
Communication Protocol	None Selected	Max. shaft power	hp 10.6
		Efficiency	%
		NPSH 3%	ft

### Pump Materials

1 - Pump Body	Stainless Steel (AISI 304)
2 - Impeller	Stainless Steel (AISI 304)
3 - Diffuser	Stainless Steel (AISI 304)
4 - Casing	Stainless Steel (AISI 316L)
5 - Shaft	Stainless Steel (AISI 316)
6 - Adapter	Cast Iron (ASTM Class 35/40B)
7 - Base	Aluminum (A384.0-F)
8 - Coupling	Aluminum (A384.0-F)
9 - Seal Plate	Stainless Steel (AISI 316L)
10 - Coupling Guard	Stainless Steel (AISI 304)
11 - Shaft Sleeve and Bushing	Tungsten carbide
12 - Fill/Drain Plugs	Stainless Steel (AISI 316)
13 - Tie Rods	Carbon Steel / Zinc Plated (A29 Gr. 1045)
14 - Wear Ring	PPS
15 - Seal Gland	Stainless Steel (AISI 316)

### Shaft Seal

1 - Rotating Face	Carbon
2 - Stationary Face	Silicon Carbide Graphite Filled
3 - Elastomers	Viton
4 - Spring	316SS
5 - Metal Components	316SS

### Motor data

Specific design	3ph TEPE (eHV)		
Type	V10A32E5BD2S	Electric voltage	460 V
Rated power	5 hp	Electric current	0 A
Speed	3500 rpm	Degree of protection	IP 55
Frame size	184TC	Insulation class	B



Customer	Date	30.06.2021
Contact	Project	
Phone number	Project no.	
Email		

## HVL2D3-10SV6GG4F60-G

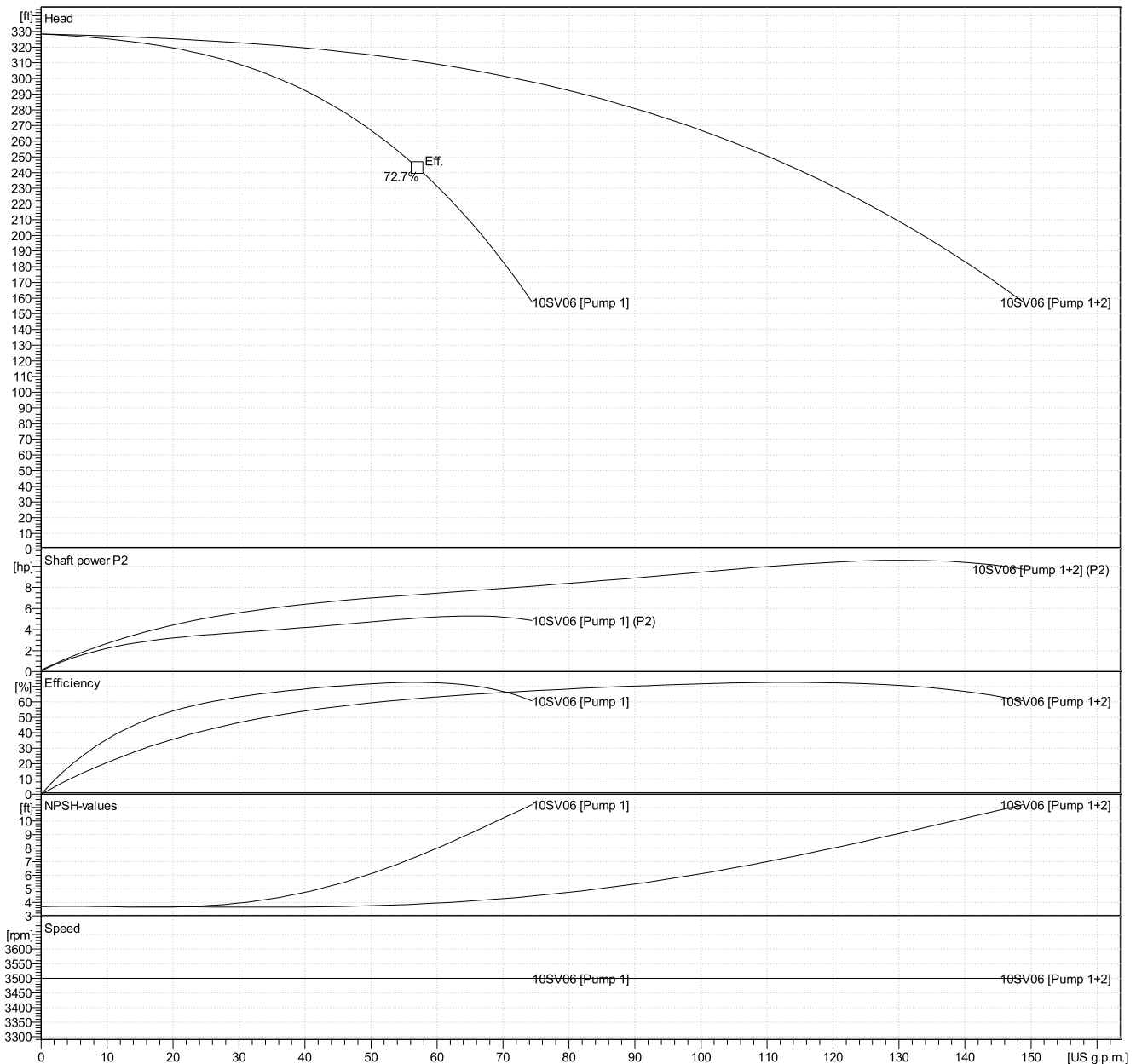
### Hydraulic Data

Operating Data Specification		Hydraulic data (duty point)		Impeller design	
Flow	0 US g.p.m.	Flow		Impeller R	0 inch
Head	0 ft	Head		Frequency	60 Hz
Static head	0 ft			Speed	3500 rpm

#### Power data referred to:

Water [100%] ; 39.2°F; 62.4lb/ft³; 1.69E-5ft²/s

Performance according to ANSI/HI 14.6 - Grade 2B



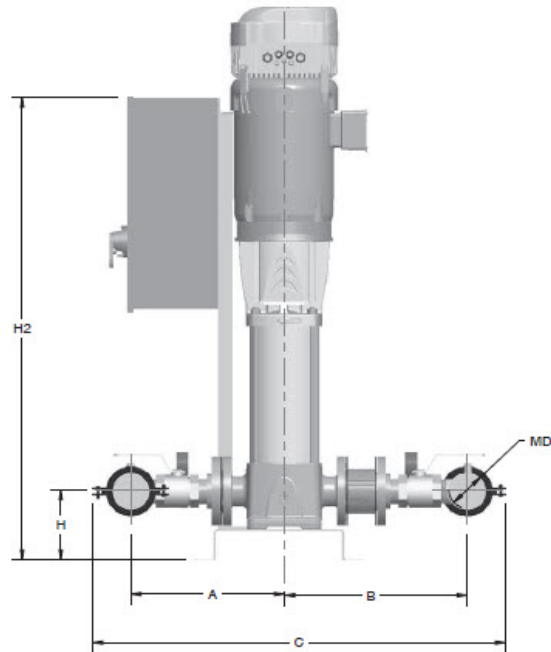
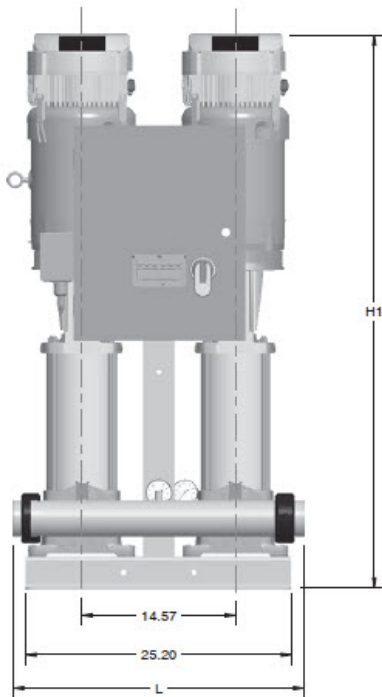
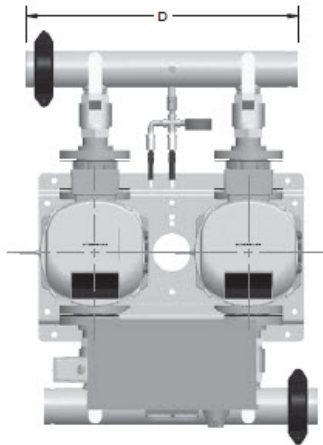


Customer	Date	30.06.2021
Contact	Project	
Phone number	Project no.	
Email		

## HVL2D3-10SV6GG4F60-G

### Drawing

TechnoForce e-HV Dimensions 10SV



Di inch

A	$14^{9/16}$					Weight 592.99 lb
B	$17^{7/16}$					
C	$39^{7/16}$					
D	$25^{3/4}$					
H	$6^{11/16}$					
H1	46					
H2	$38^{5/16}$					
L	$27^{1/2}$					
MD	3					