

Customer	Date	29.06.2021
Contact	Project	
Phone number	Project no.	
Email		

## HVL3D3-5SV12GG4F60-G

### Operating data

Pumpe ty pe	Single-/Multi-pump set	Fluid	Water
No. of pumps / Standby pump	3 / 0	Operating temperature t A	°F 39.2
Nominal flow	US g.p.m. 0		
Nominal head	ft 0		
Static head	ft 0		
Inlet pressure	psi 0		
Env ironmental temperature	°F 68		
Av ailable system NPSH	ft 0		

### Pump data

Make	Goulds	Nominal	US g.p.m. ( )
Speed	rpm 3500	Flow	Max- US g.p.m. 44.1
No. of stages	1		Min- US g.p.m.
Max. casing pressure	psi		Nominal ft
Max. working pressure	psi 179.2	Head	at Qmax ft 204.7
Head H(Q=0)	ft 410		at Qmin ft 413.2
Weight	lb 779	Shaft power	hp ( )
Communication Protocol	None Selected	Max. shaft power	hp 12
		Efficiency	%
		NPSH 3%	ft

### Pump Materials

1 - Pump Body	Stainless Steel (AISI 304)
2 - Impeller	Stainless Steel (AISI 304)
3 - Diff user	Stainless Steel (AISI 304)
4 - Casing	Stainless Steel (AISI 316L)
5 - Shaft	Stainless Steel (AISI 316)
6 - Adapter	Cast Iron (ASTM Class 35/40B)
7 - Base	Aluminum (A384.0-F)
8 - Coupling	Aluminum (A384.0-F)
9 - Seal Plate	Stainless Steel (AISI 316L)
10 - Coupling Guard	Stainless Steel (AISI 304)
11 - Shaft Sleeve and Bushing	Tungsten carbide
12 - Fill/Drain Plugs	Stainless Steel (AISI 316)
13 - Tie Rods	Carbon Steel / Zinc Plated (A29 Gr. 1045)
14 - Wear Ring	PPS
15 - Seal Gland	Stainless Steel (AISI 316)

### Shaft Seal

1 - Rotating Face	Carbon
2 - Stationary Face	Silicon Carbide Graphite Filled
3 - Elastomers	Viton
4 - Spring	316SS
5 - Metal Components	316SS

### Motor data

Specific design	3ph TEPE (eHV)		
Type	V10A32E5BD2S	Electric voltage	460 V
Rated power	5 hp	Electric current	0 A
Speed	3500 rpm	Degree of protection	IP 55
Frame size	184TC	Insulation class	B



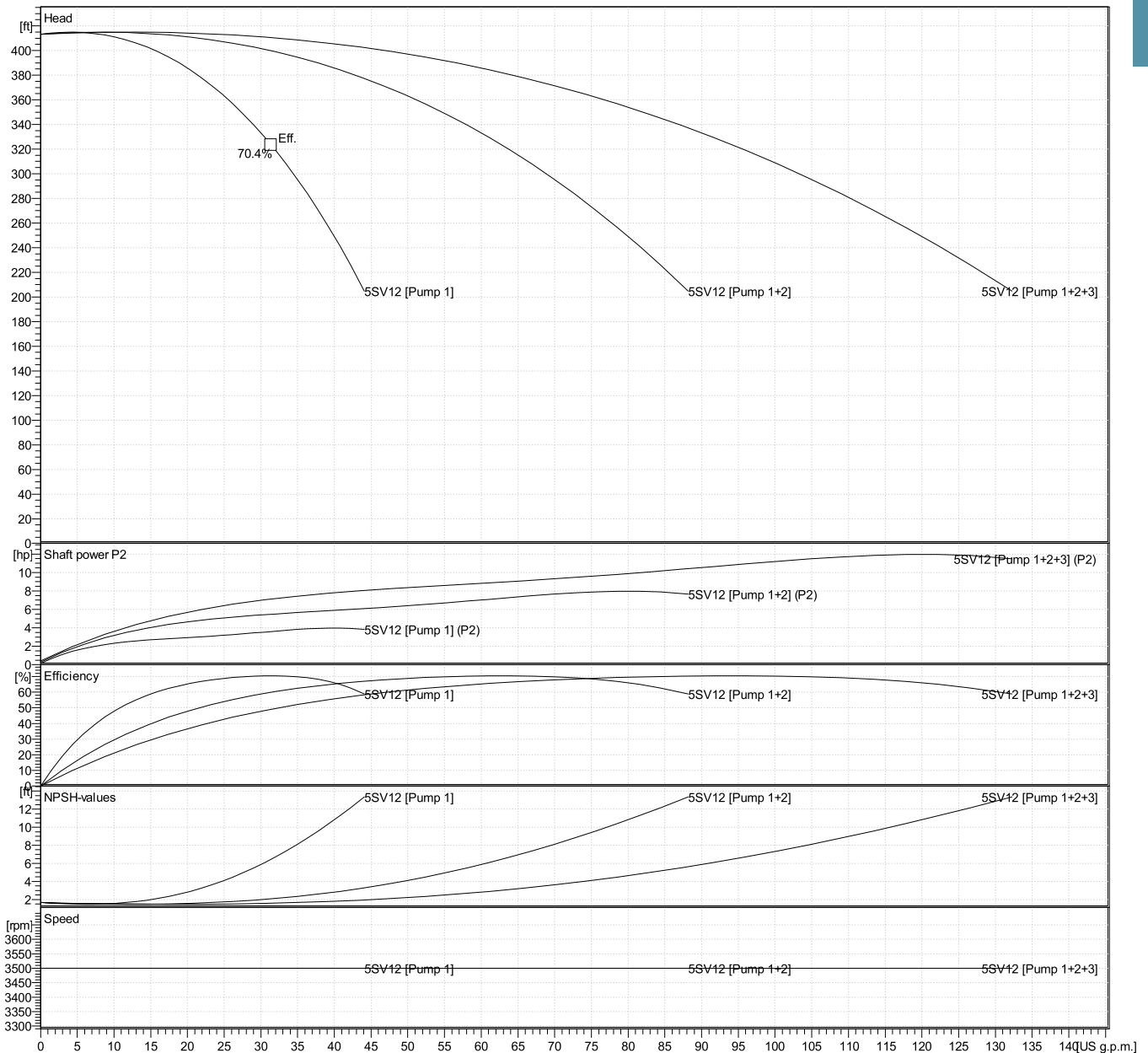
Customer	Date	29.06.2021
Contact	Project	
Phone number	Project no.	
Email		

## HVL3D3-5SV12GG4F60-G

### Hydraulic Data

Operating Data Specification		Hydraulic data (duty point)		Impeller design	
Flow	0 US g.p.m.	Flow		Impeller R	0 inch
Head	0 ft	Head		Frequency	60 Hz
Static head	0 ft			Speed	3500 rpm

Power data referred to:  
 Water [100%] ; 39.2°F; 62.4lb/ft³; 1.69E-5ft²/s  
 Performance according to ANSI/HI 14.6 - Grade 2B

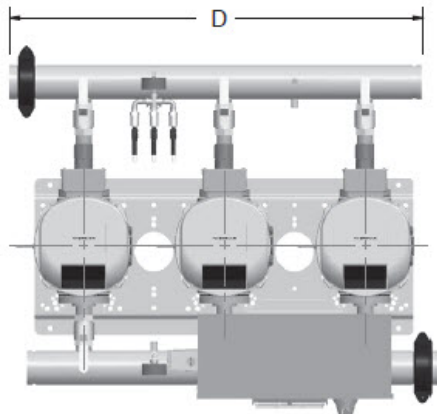




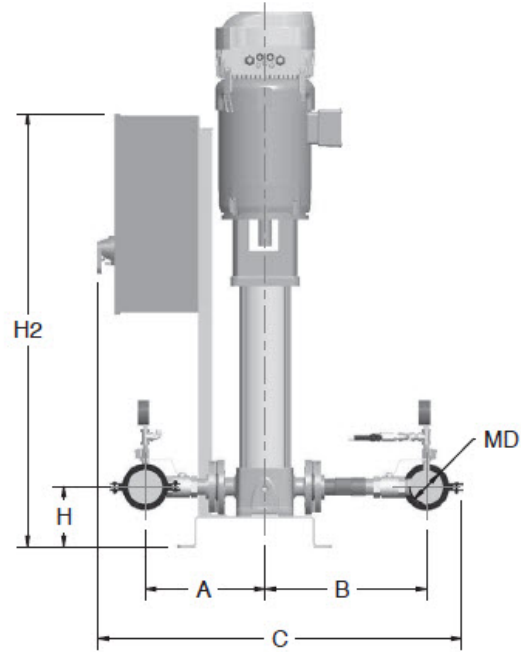
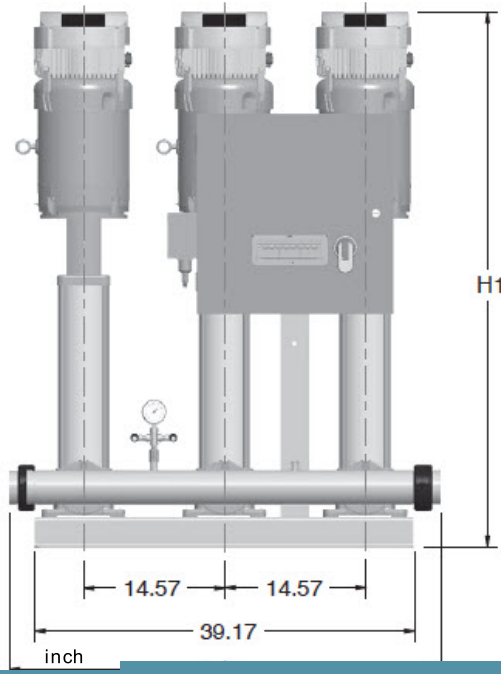
Customer	Date	29.06.2021
Contact	Project	
Phone number	Project no.	
Email		

**HVL3D3-5SV12GG4F60-G**

**Drawing**



TechnoForce e-HV Dimentions 5SV



Di inch

A	12 <sup>3</sup> / <sub>8</sub>					Weight 778.99 lb
B	16 <sup>7</sup> / <sub>8</sub>					
C	36 <sup>1</sup> / <sub>4</sub>					
D	42 <sup>11</sup> / <sub>16</sub>					
H	6 <sup>1</sup> / <sub>8</sub>					
H1	47 <sup>1</sup> / <sub>4</sub>					
H2	38 <sup>5</sup> / <sub>16</sub>					
L	44 <sup>7</sup> / <sub>16</sub>					
MD	3					